



AIRBUS



Booklet available in English on
Heft in deutscher Sprache erhältlich auf
Livret disponible en français sur
Libretto disponibile in italiano su
Folleto en español disponible en
如需中文版手册, 请访问



FR

**DONNEZ
OU
RECYCLEZ**



ASSOCIATION
OU



MAGASIN
OU



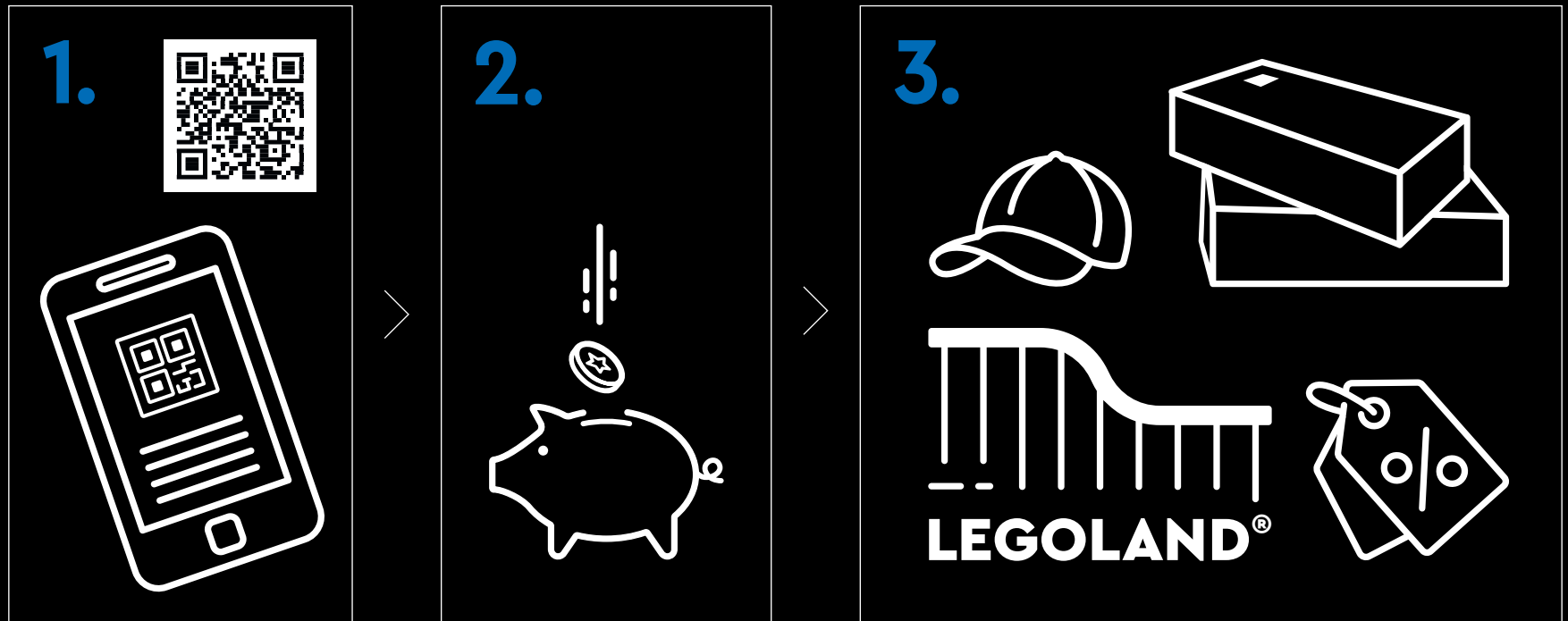
DÉCHÈTERIE

Adresses sur quefairemesdechets.fr



LEGO.com/sustainable-packaging

LEGO® VIP



1. Sign up **2.** Earn points for purchases **3.** Redeem points for rewards, experiences, discounts & more | **1.** Melde dich an **2.** Sammle Punkte bei jedem Kauf **3.** Löse die Punkte für Belohnungen, Erlebnisse, Rabatte und Ähnliches ein | **1.** Inscrivez-vous **2.** Gagnez des points lors de vos achats **3.** Échangez vos points contre des récompenses, des expériences, des remises et bien plus encore | **1.** Iscriviti **2.** Guadagna punti con i tuoi acquisti **3.** Riscatta punti per premi, esperienze, sconti e altro ancora | **1.** Regístrate **2.** Gana puntos por tus compras **3.** Canjea puntos por recompensas, experiencias, descuentos y mucho más | **1.** Registe-se **2.** Ganhe pontos em compras **3.** Troque os pontos para prémios, experiências, descontos e muito mais | **1.** 注册 **2.** 购物赚积分 **3.** 用积分兑换奖励、体验、折扣等 | **1.** Zarejestruj się **2.** Zdobywaj punkty za zakupy **3.** Wymieniaj punkty na rabaty, przygody i inne nagrody | **1.** Zaregistrujte se **2.** Sbírejte body za nákupy **3.** Vyměňujte body za odměny, zážitky, slevy a spoustu dalšího | **1.** Zaregistrujte se **2.** Získavajte body za nákupy **3.** Uplatnite si body a získajte odmeny, rôzne zážitky, zľavy a ešte viac | **1.** Regisztrálj **2.** Szerezz pontokat minden vásárlással **3.** Váltsd be pontjaidat jutalmakra, élményekre, kedvezményekre és egyebekre | **1.** Înscric-te **2.** Câștigă puncte pentru achiziții **3.** Valorifică puncte pentru recompense, experiențe, reduceri și multe altele | **1.** Регистрируйте се **2.** Получайте точки за покупки **3.** Используйте точки за награды, услуги, отстъпки и т.н. | **1.** Reģistrējies **2.** Pelni punktus par pirkumiem **3.** Izmanto punktus, lai saņemtu balvas, izklaides iespējas, atlaides un daudz ko citu | **1.** Registreeru **2.** Teeni ostude eest punkte **3.** Lunasta punktide eest preemiad, elamused, allahindlused ja muu | **1.** Užsiregistruokite **2.** Pelnykite taškų už pirkinius **3.** Panaudokite taškus atlygiui, funkcijoms, nuolaidoms ir ne tik





**WELCOME ABOARD
THE CONCORDE**



Leonardo Da Vinci sketched his famous flying machine in 1487, but it would take another 400+ years for the age of powered flight to begin in the early 1900s. Since then, aviation technology has soared to new heights, with each new decade bringing monumental breakthroughs in the field. One of the most significant is the unparalleled Concorde, the world's first commercial supersonic aircraft.

The first Concorde prototype completed a successful test flight from Toulouse, France on 2 March 1969. Just a few months before the first manned moon landing and a mere 60 years after Louis Blériot crossed the English Channel in one of aviation's first major feats. Commercial passenger travel at supersonic speed (up to Mach 2, twice the speed of sound), near the edge of space, was within reach and on track to become accessible worldwide.

Developed before computer technology made 3D design rendering possible, the innovative Concorde design and mechanical features were calculated, tested and refined to perfection by visionary engineers representing the pinnacle of aviation technology and expertise. On 21 January 1976, the first two commercial Concorde took off simultaneously from Paris and London, marking a historic milestone for a strong, collaborative venture piloted by the British and French governments.

On 24 October 2003, the last Concorde flight departed from New York to cross the Atlantic one final time before officially retiring on 26 November of that year. With its 27 years in service, Concorde paved the path to a future in aviation that we can only begin to imagine.

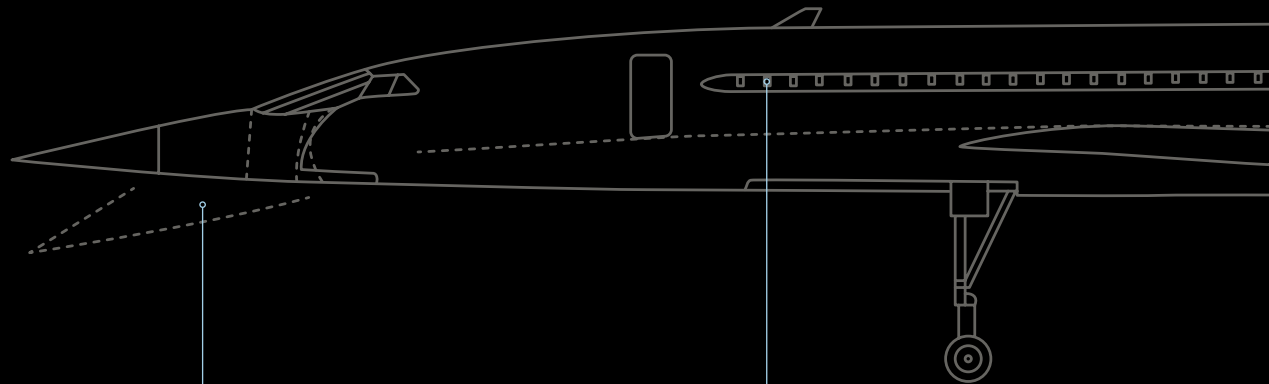
TWO NATIONS ONE VISION

With the advent of technology permitting aircraft to reduce flight times by half, a shared vision of supersonic passenger travel was brought to life through an agreement signed between the French and British governments in the early 1960s. Design, production and assembly were shared between the UK's British Aircraft Corporation and France's Sud Aviation (predecessor of Airbus). Engine design and development were entrusted to SNECMA and Rolls Royce.

The Concorde program definitively established European aviation engineering as a cutting-edge industry. Many firsts introduced on the Concorde would find their way onto commercial aircraft such as the A300 and A320 families and become industry standards.



FR UK

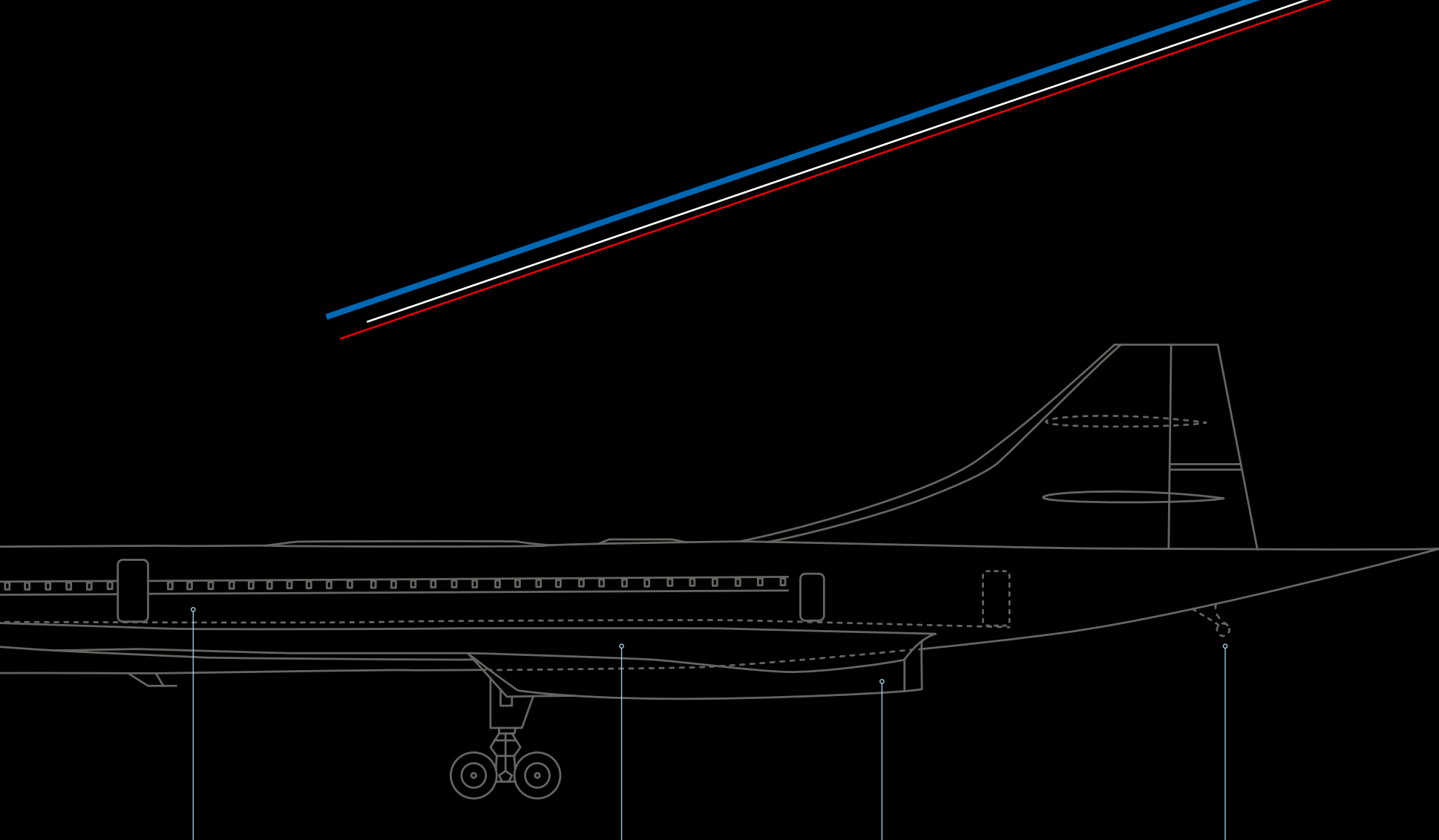


DROOP SNOOT

Lowering the nose and visor allows pilots to see the runway during landing. The maximum droop angle is 12.5 degrees.

WINDOWS

Dry, cool air is circulated between the windowpanes to prevent the extreme heat generated on the outside of the plane from reaching the interior.



PASSENGER CABINS

Passengers are seated in 40 forward cabin seats and 60 rear cabin seats.

WINGS

The uniquely shaped ogival delta wings are essential to creating lift during take-off and limiting drag while in flight.

ENGINES

Reheats allow engines an extra 20% of power for take-off and accelerating to maximum speed.

TAIL LANDING GEAR

Additional landing wheels in the tail accommodate the high angle of attack during take-off and landing.



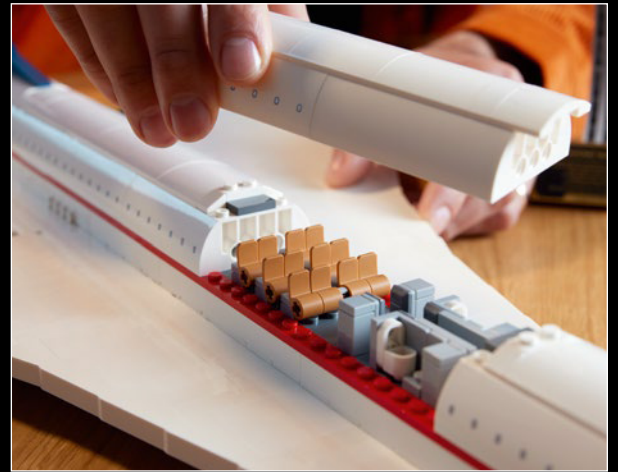
FROM THE DESIGN TEAM



'The sleek lines and flowing surfaces necessary to slice effortlessly through the sound barrier have ensured Concorde remains in the history books, not only as a remarkable aircraft but also as an undisputed design icon. Those same surfaces, however, posed a real challenge in translating the design into LEGO® bricks! Accommodating such a unique shape alongside mechanisms for landing gear and the iconic droop snoot in the narrow fuselage forced us to really rethink how we build LEGO aircraft. But the Concorde was more than just an aircraft. An extraordinary collaboration between nations, it represented optimism, a vision for the future and it showed us what we can achieve when we choose to work together.'

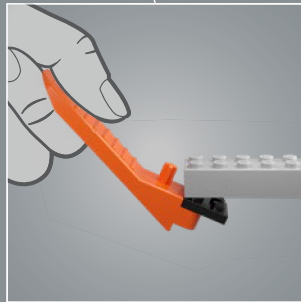
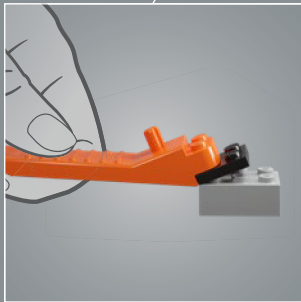
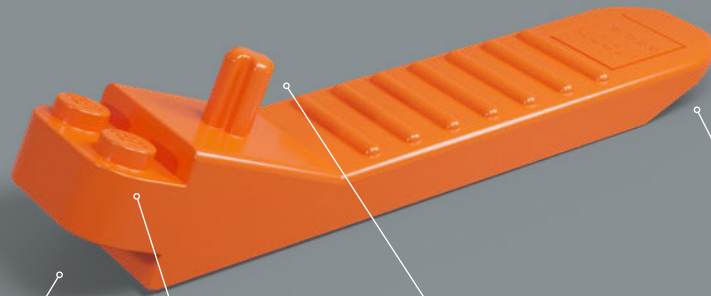
Milan Madge, LEGO® Senior Designer

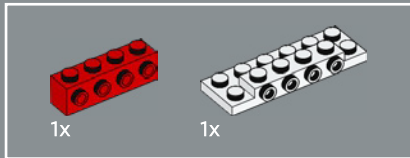
*The name **Concorde** represents harmony
in both design, passenger experience
and collaboration between nations*



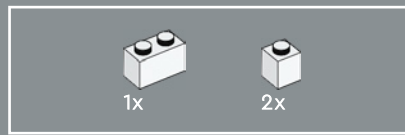
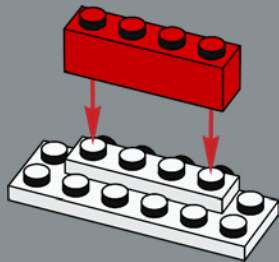
The LEGO® Icons
Design Team



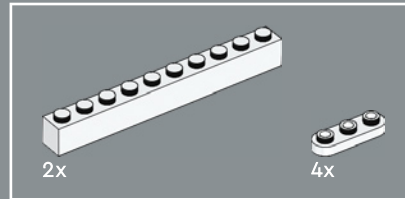
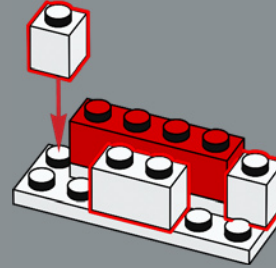




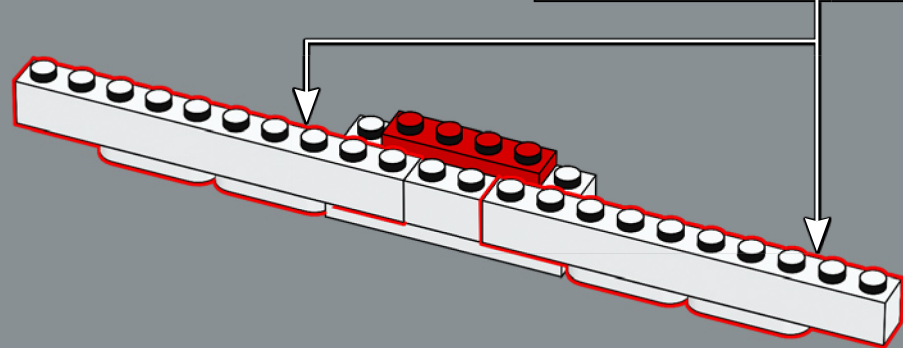
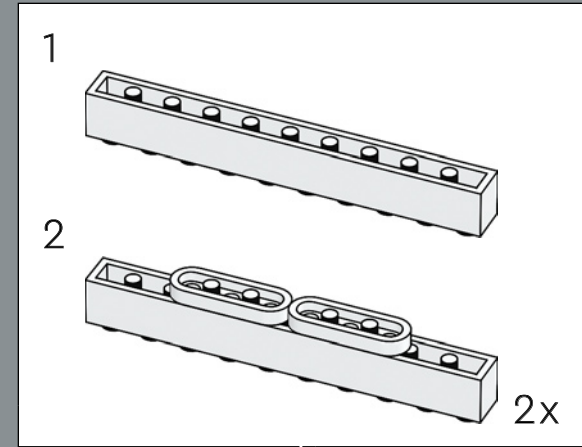
1

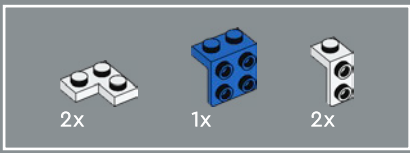


2

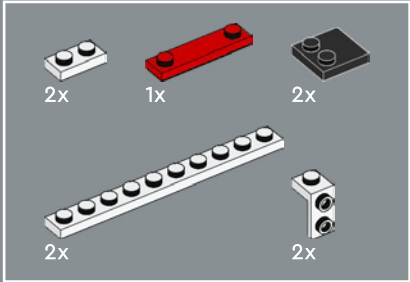
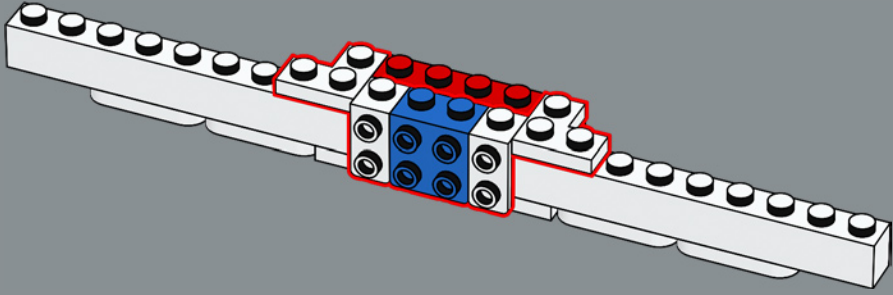


3

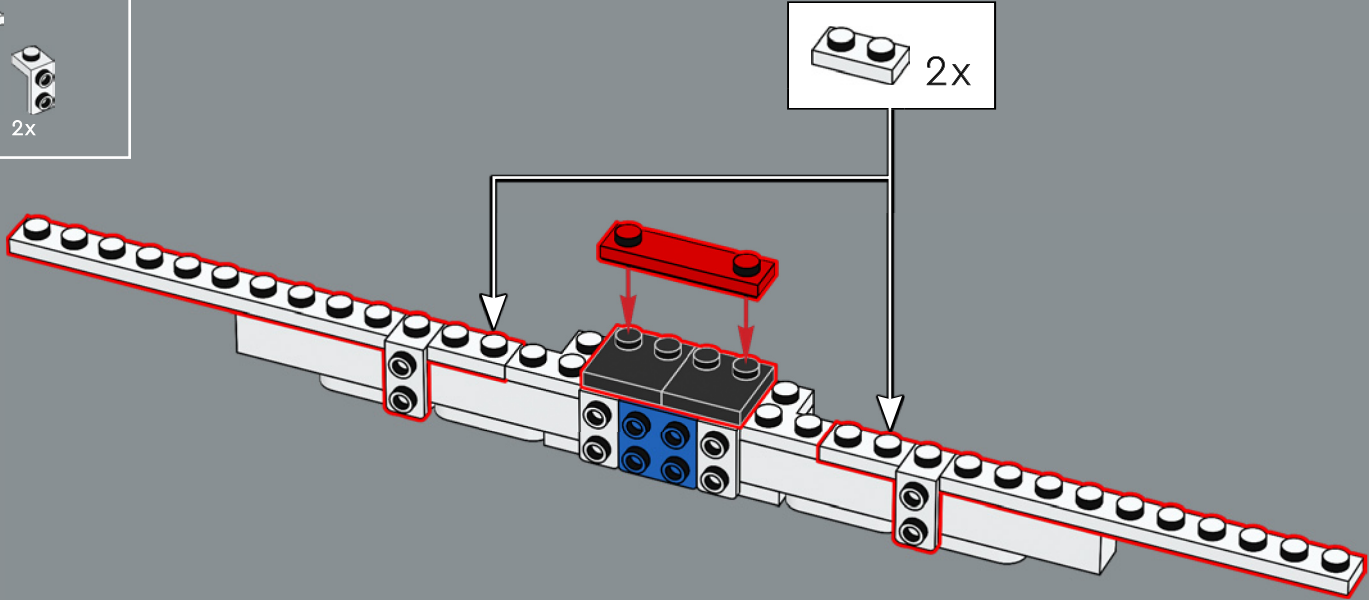


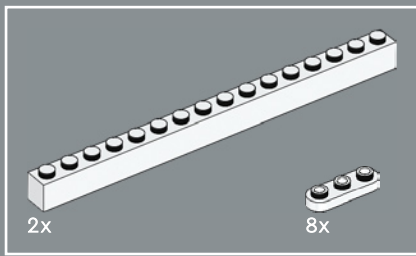


4

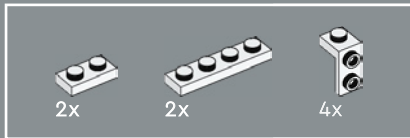
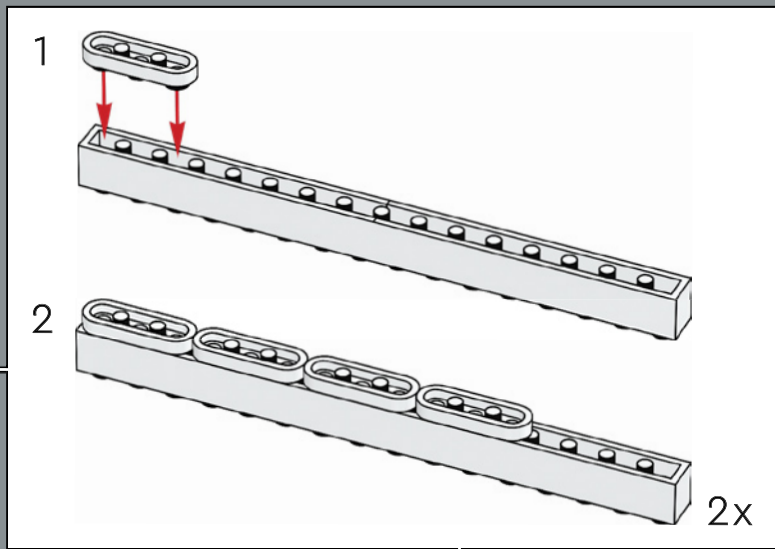
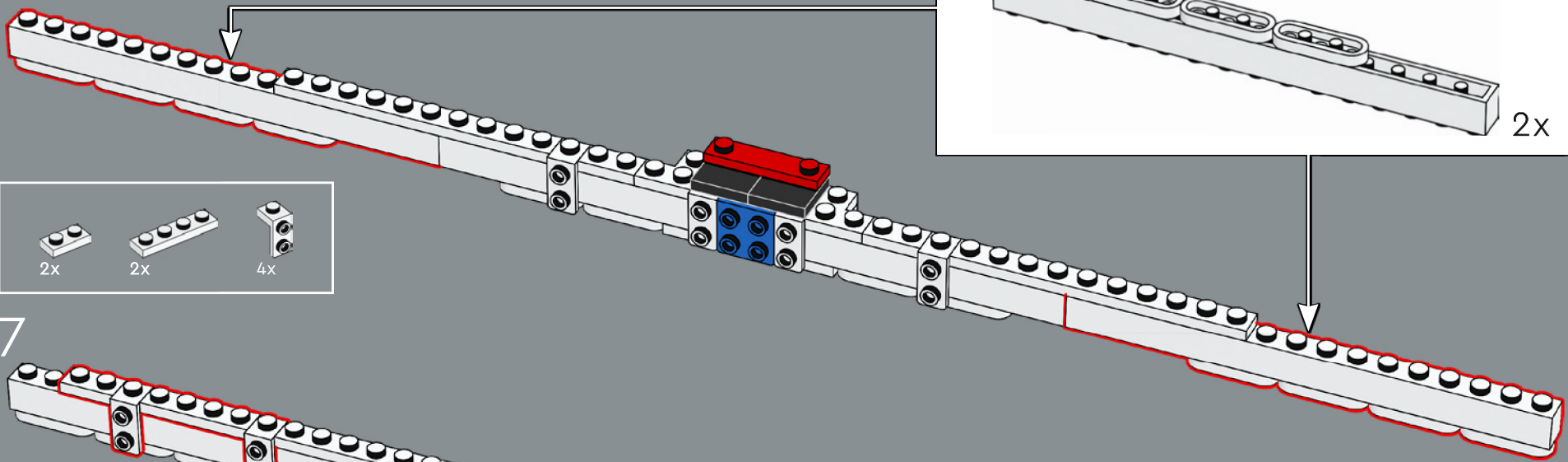


5

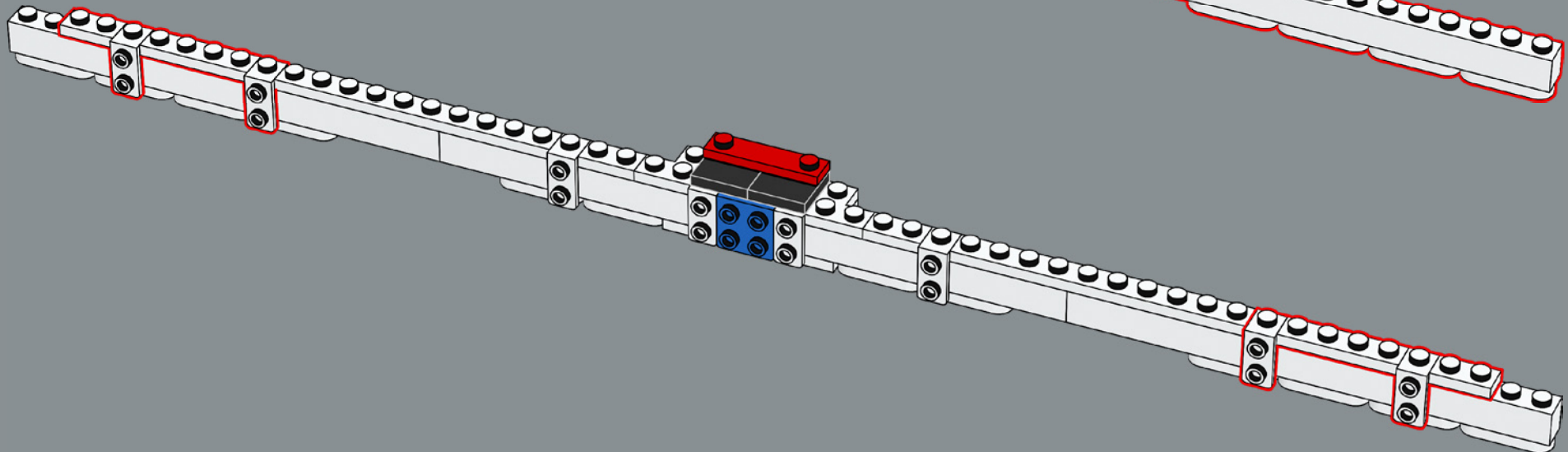




6

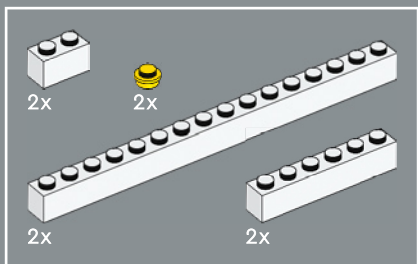


7

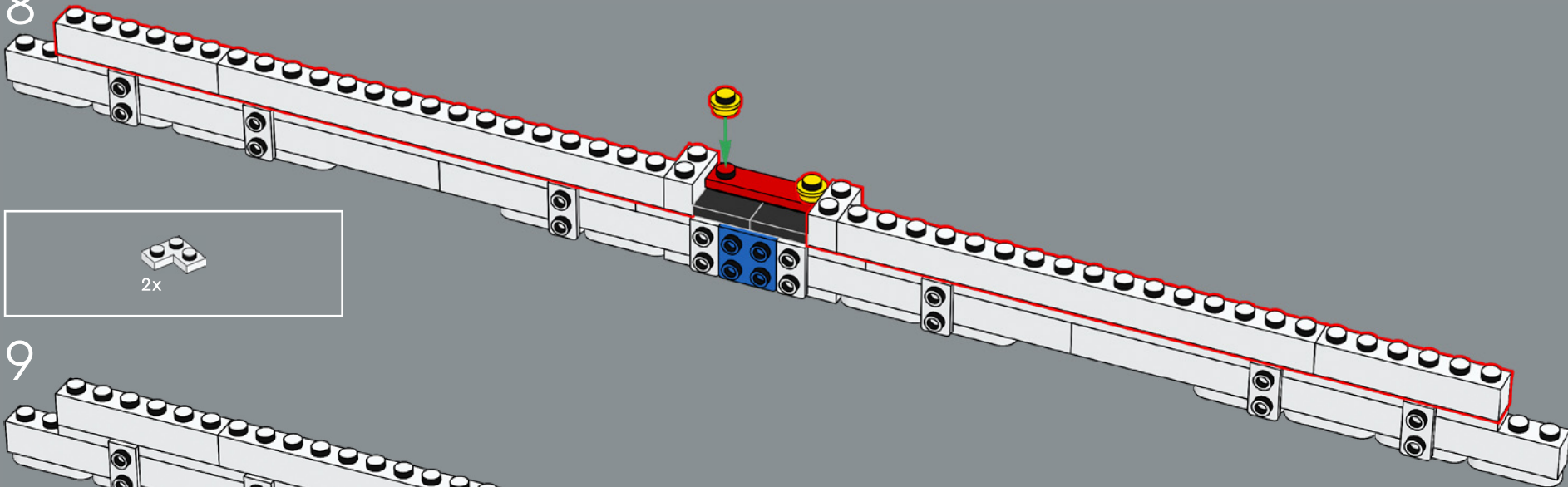




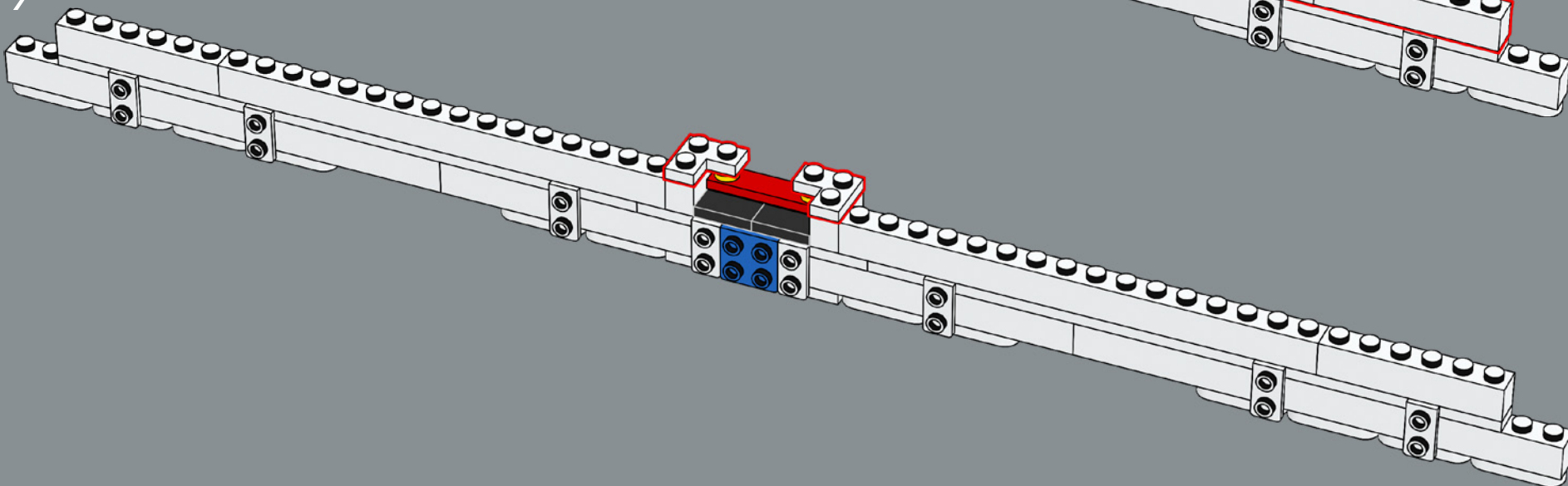
Which direction are we building?! Building the entire wing of the LEGO® Concorde sideways allowed us to make it thinner and lighter and capture that iconic sweeping delta wing.



8

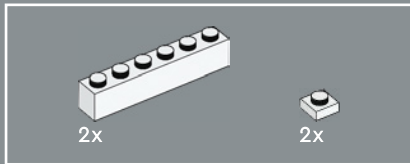
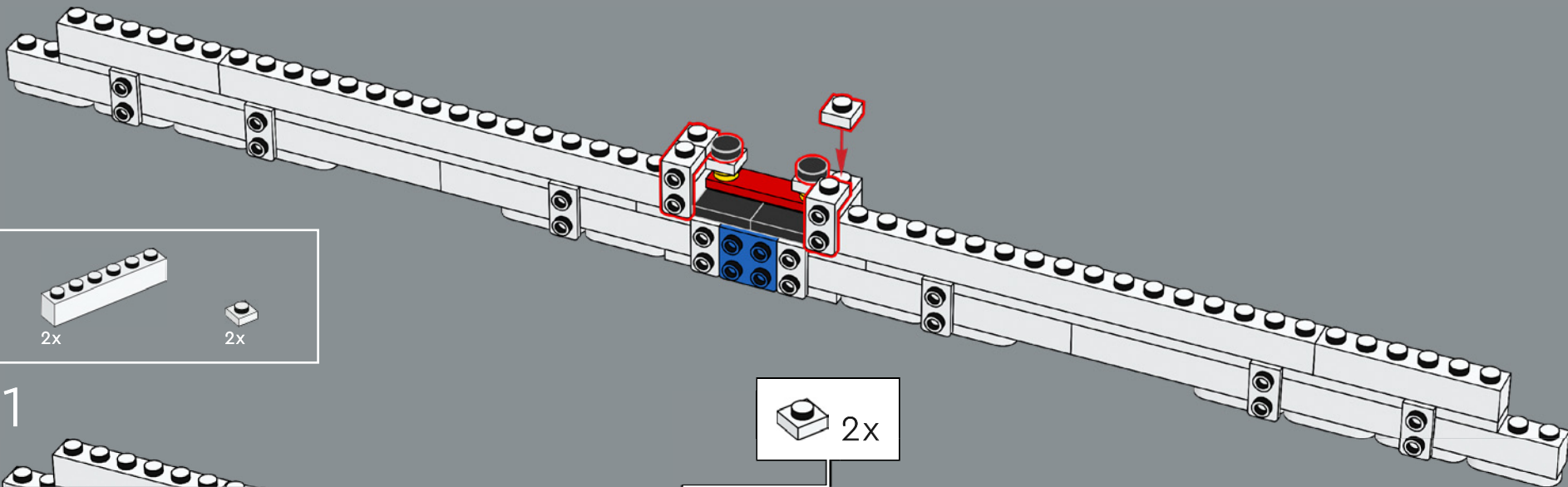


9

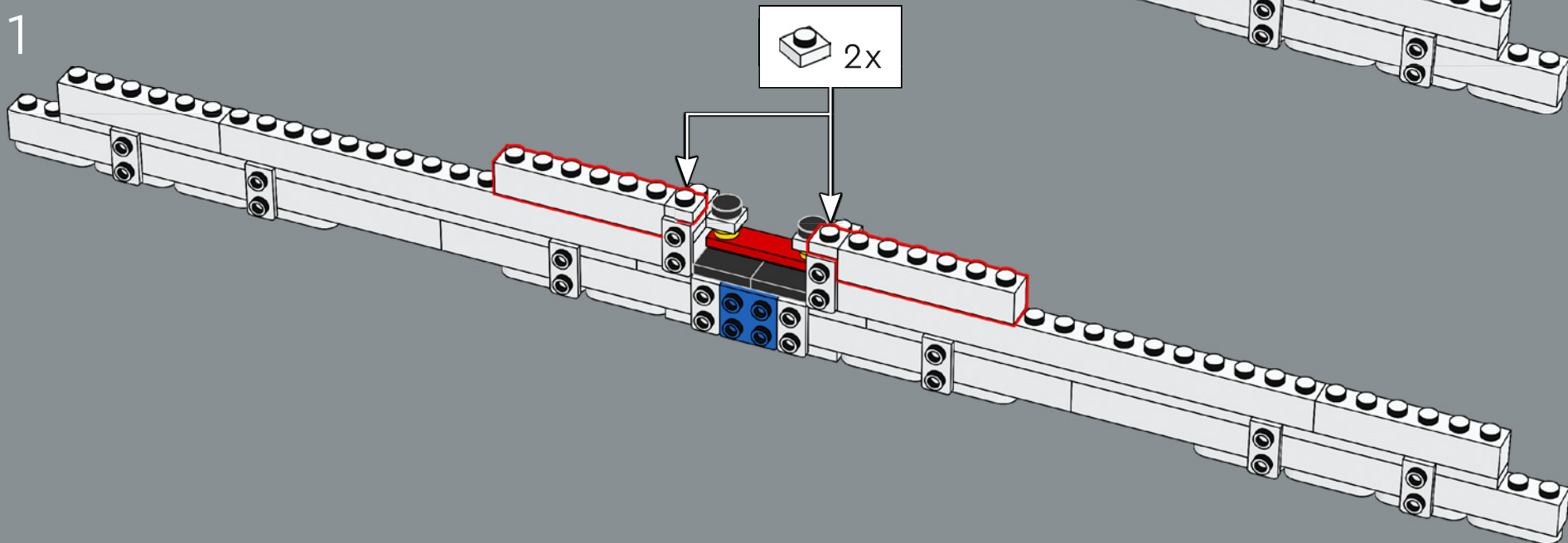


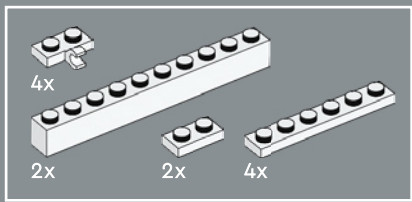


10

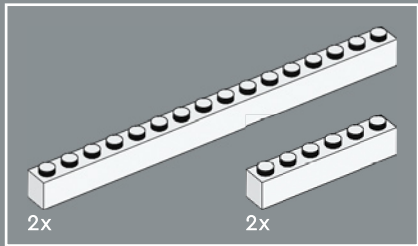
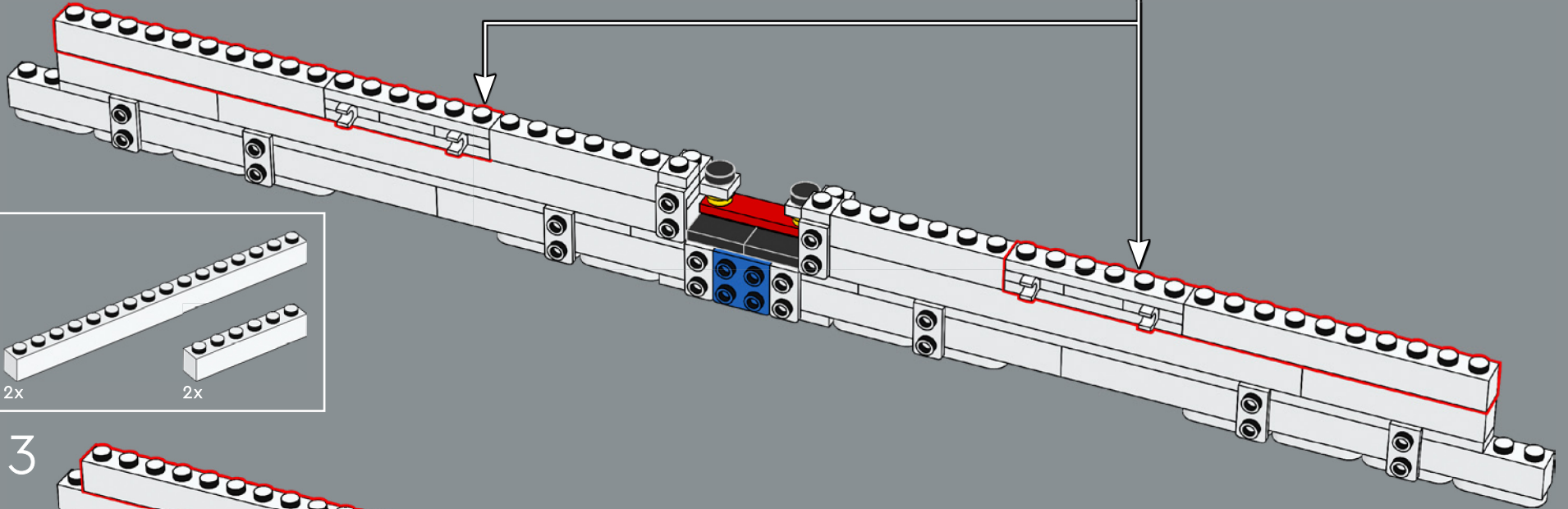
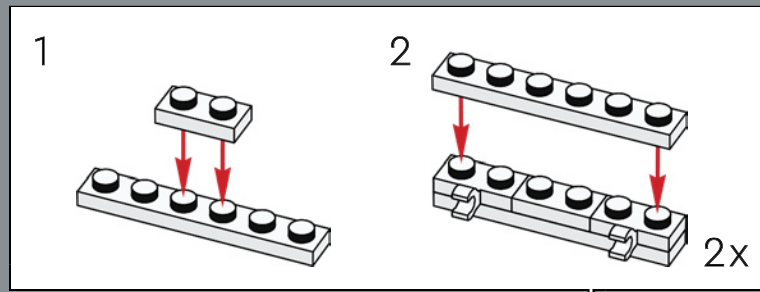


11

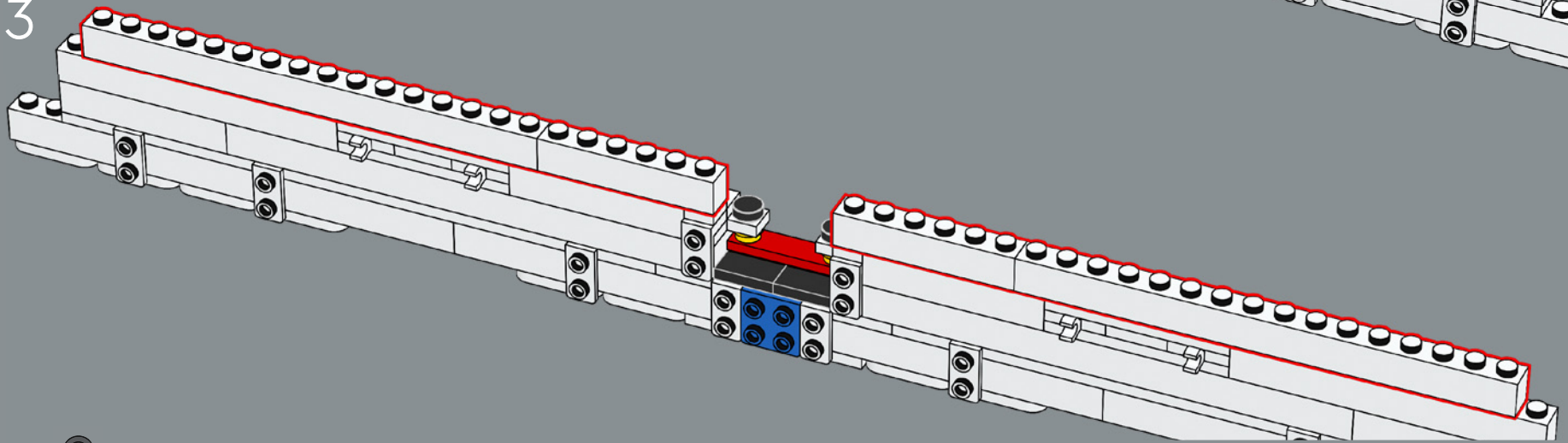


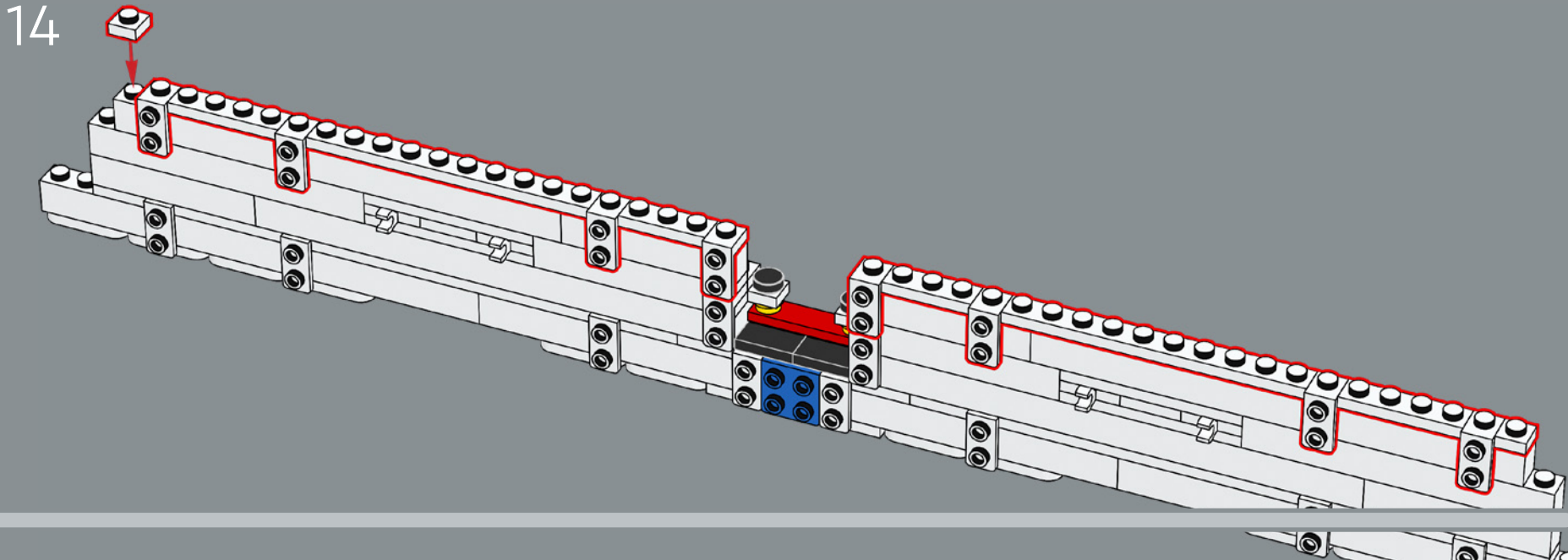
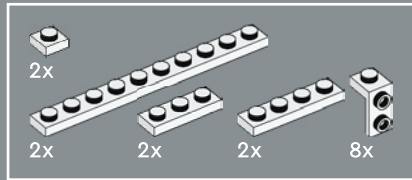


12



13

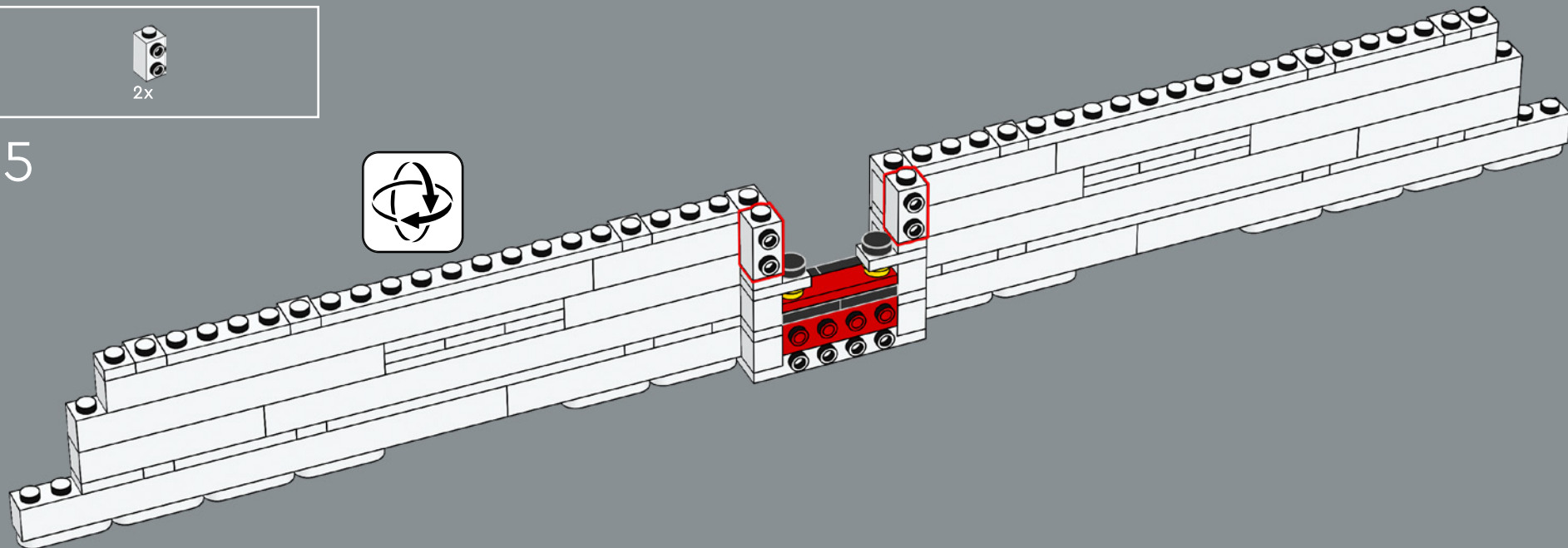






2x

15

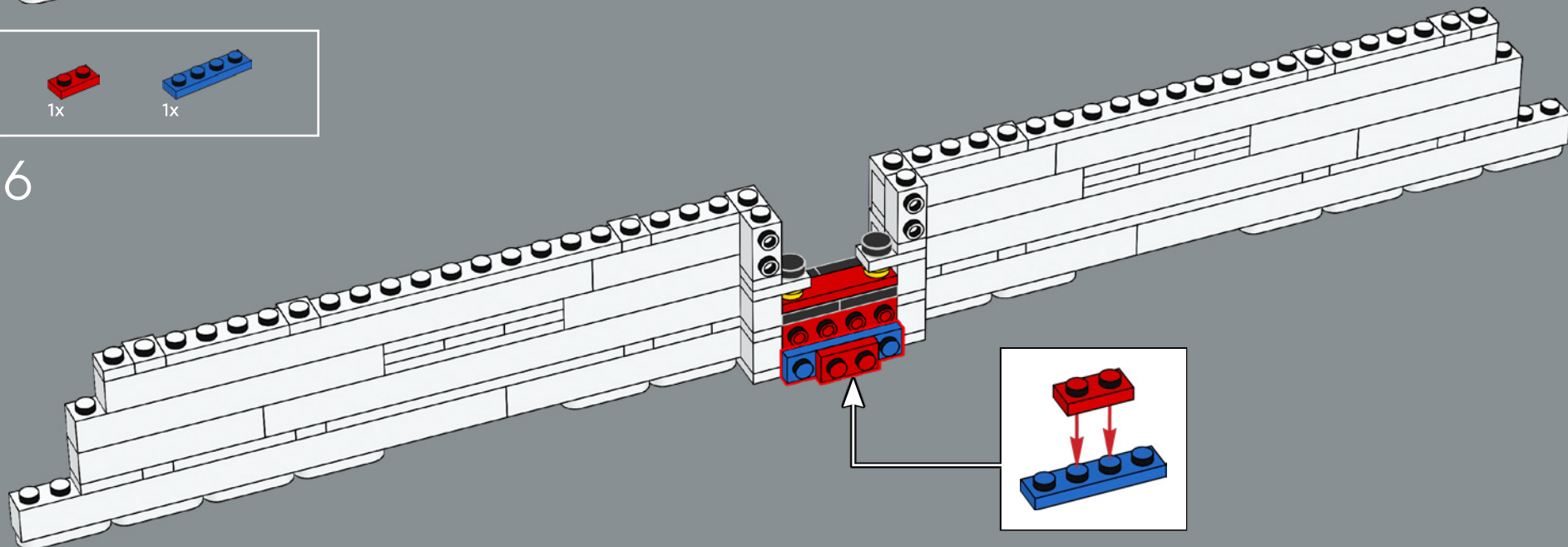


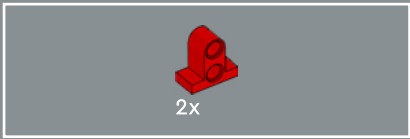
1x



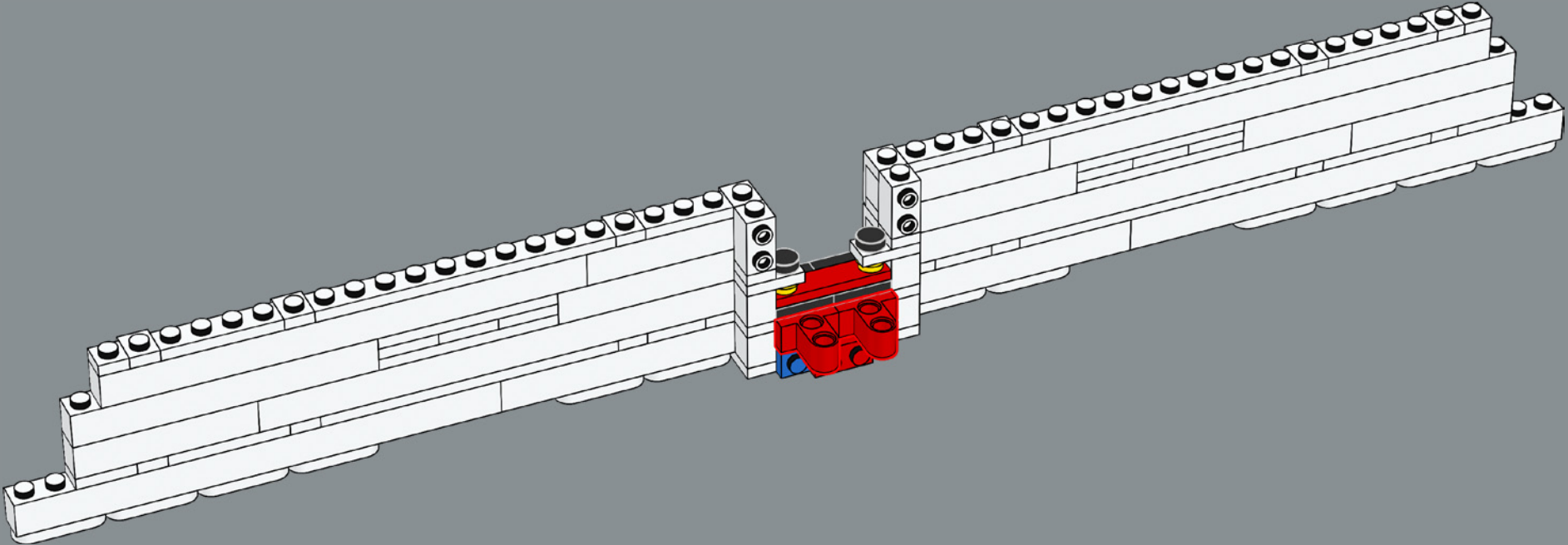
1x

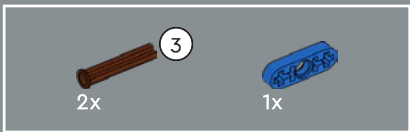
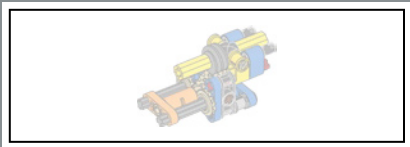
16



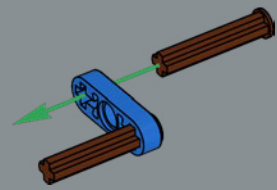


17

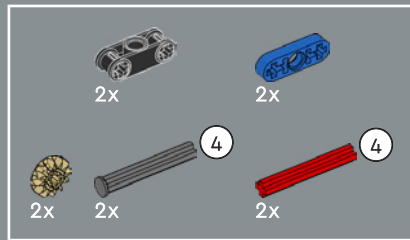
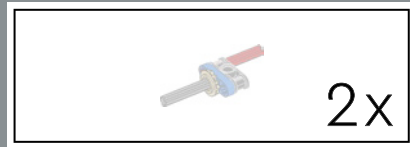
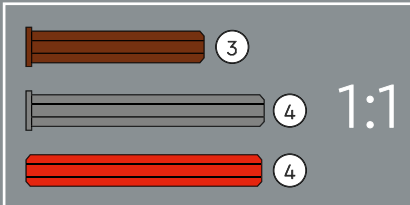
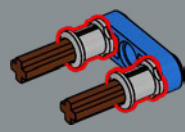




18

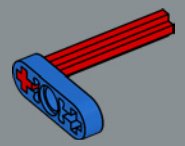


19

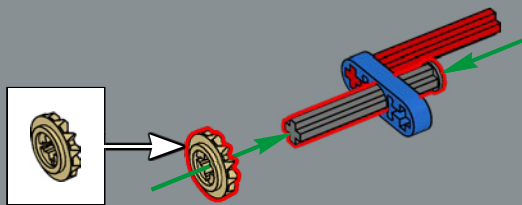


20

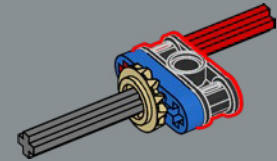
1



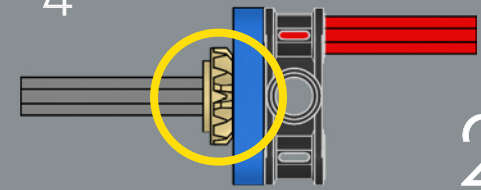
2



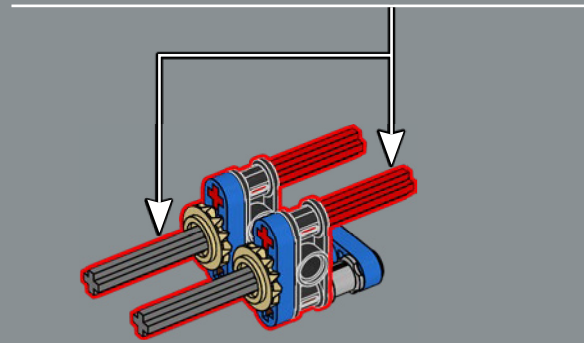
3



4

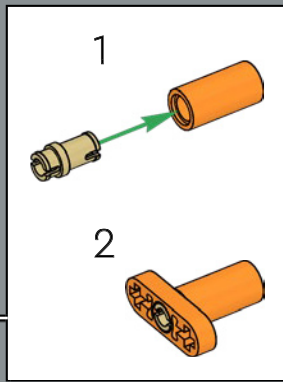
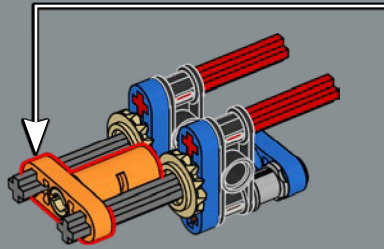


2x

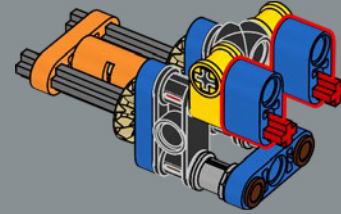




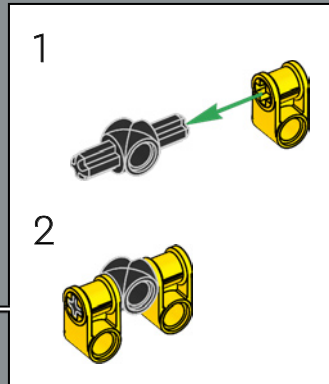
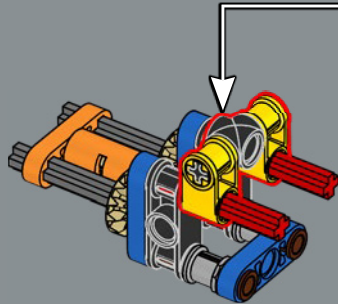
21



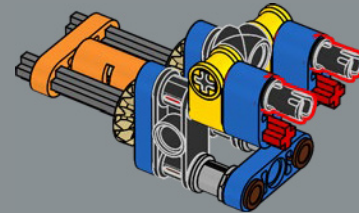
23

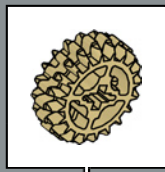
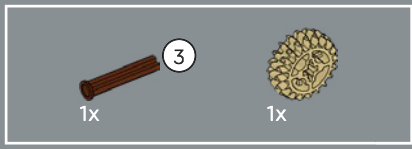


22

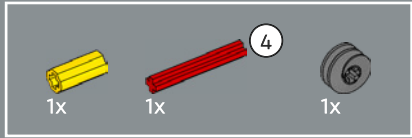
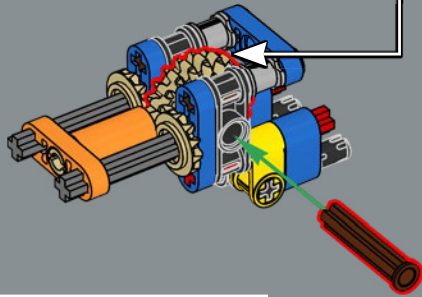


24

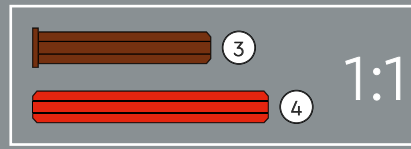
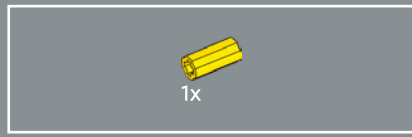
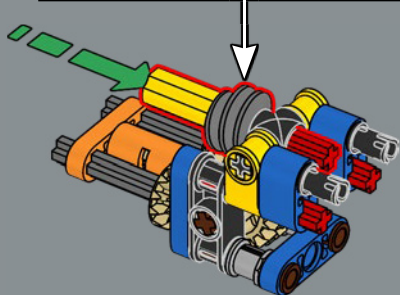
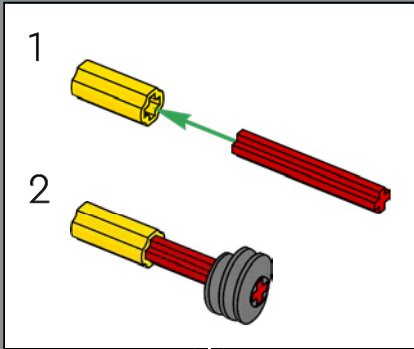




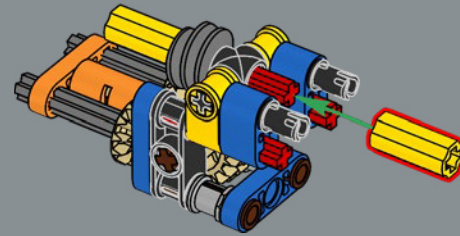
25



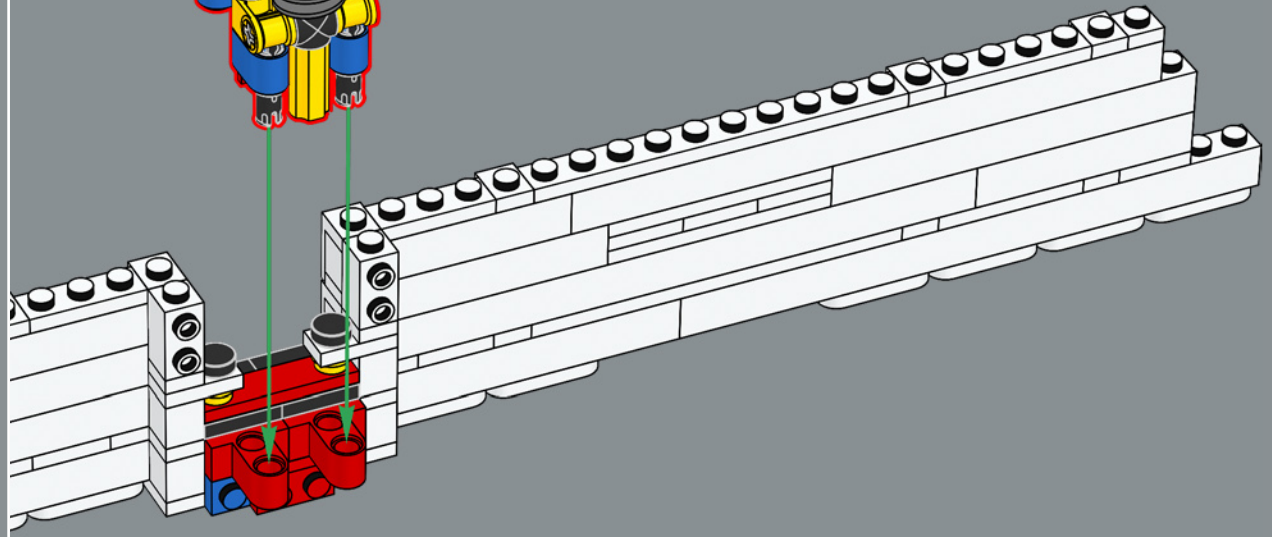
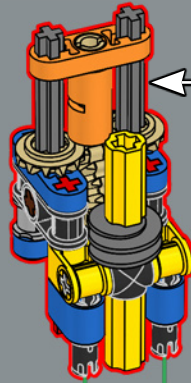
26

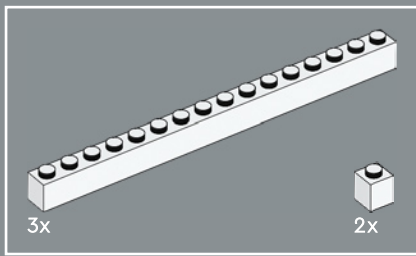


27

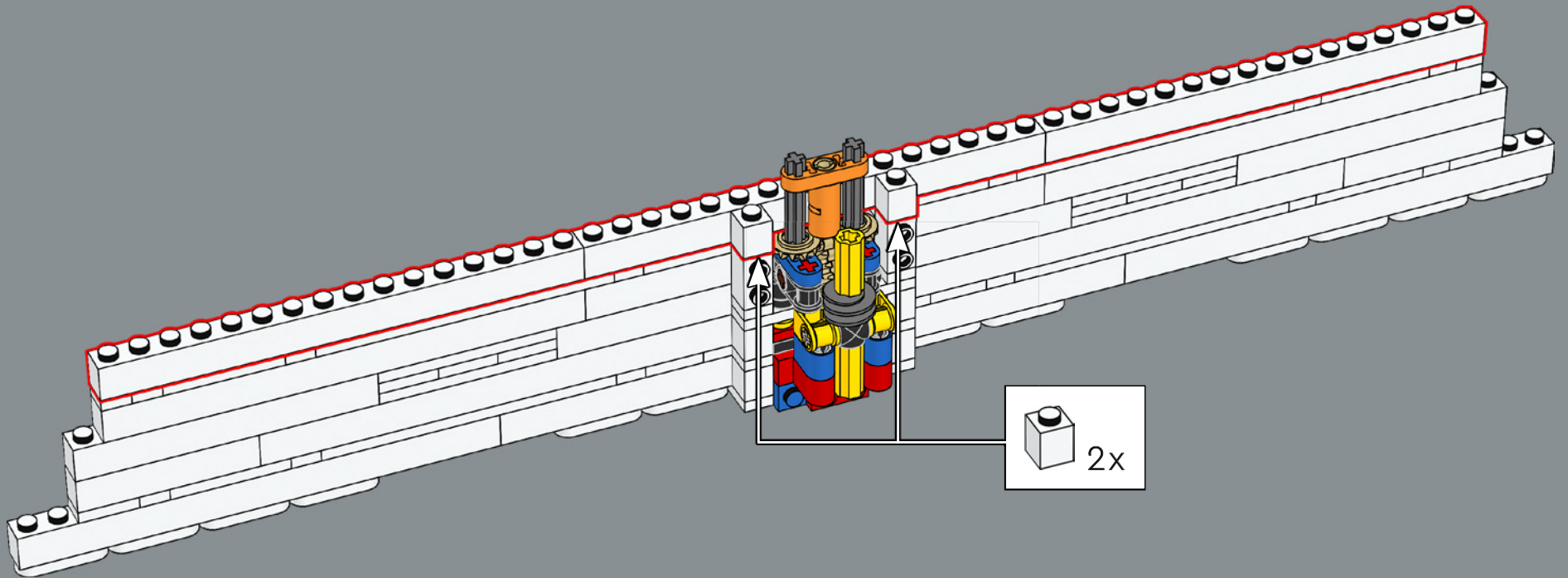


28





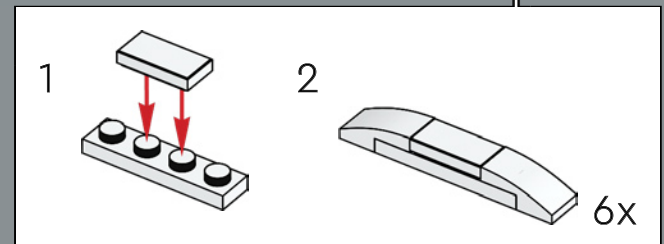
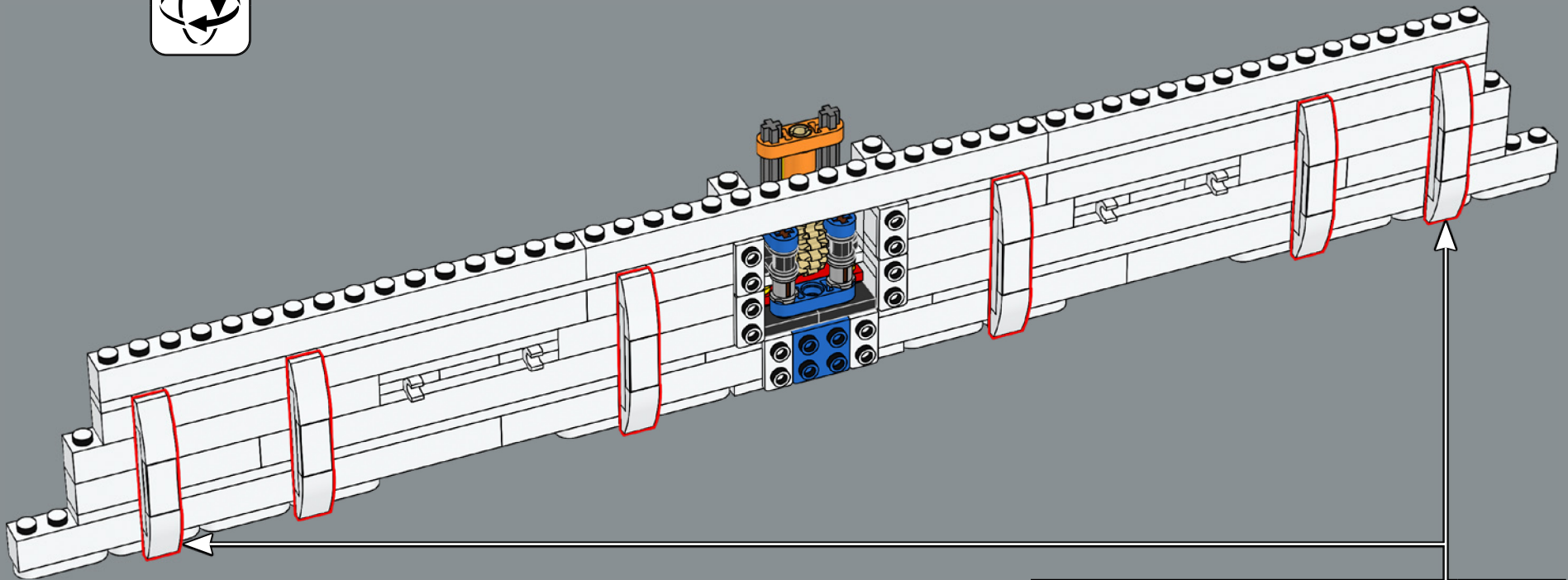
29

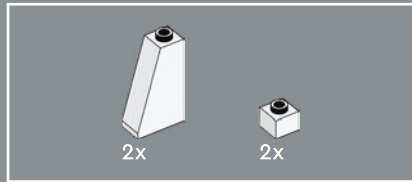




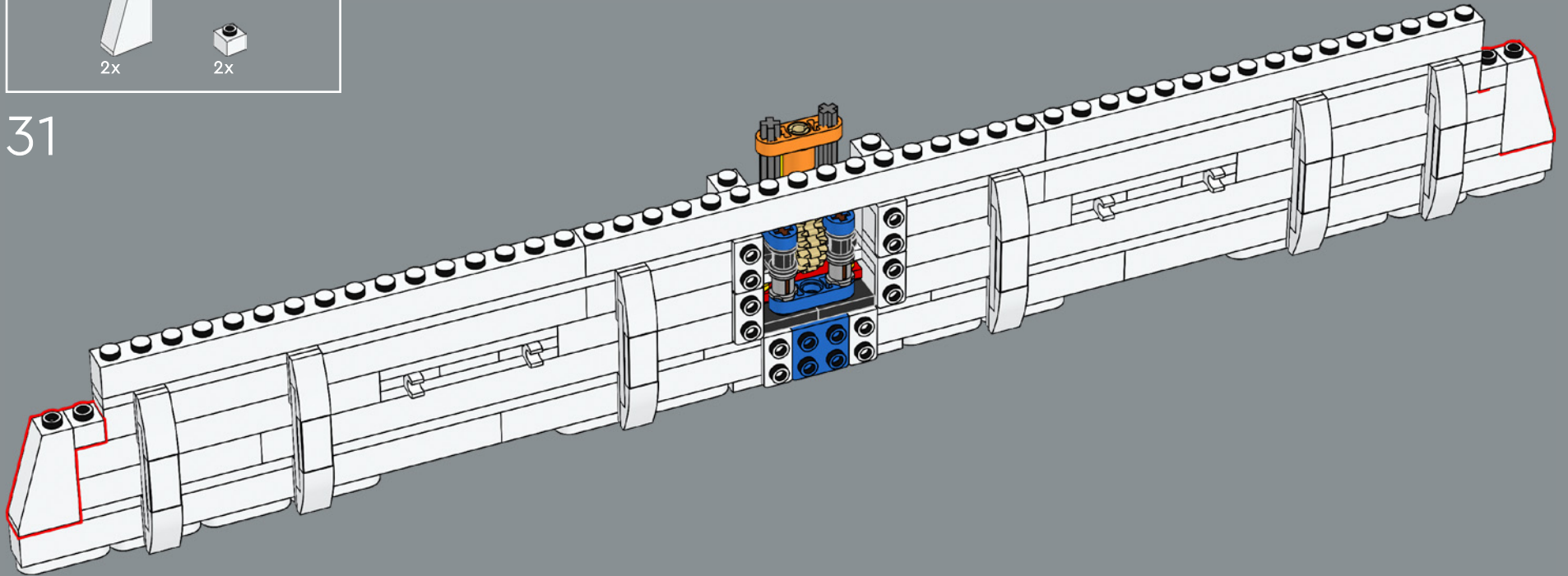
These fairings under the Concorde's iconic delta wing contain the actuators that control the aircraft's elevons.

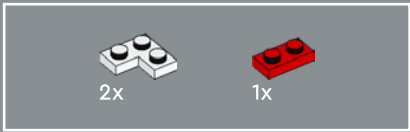
30



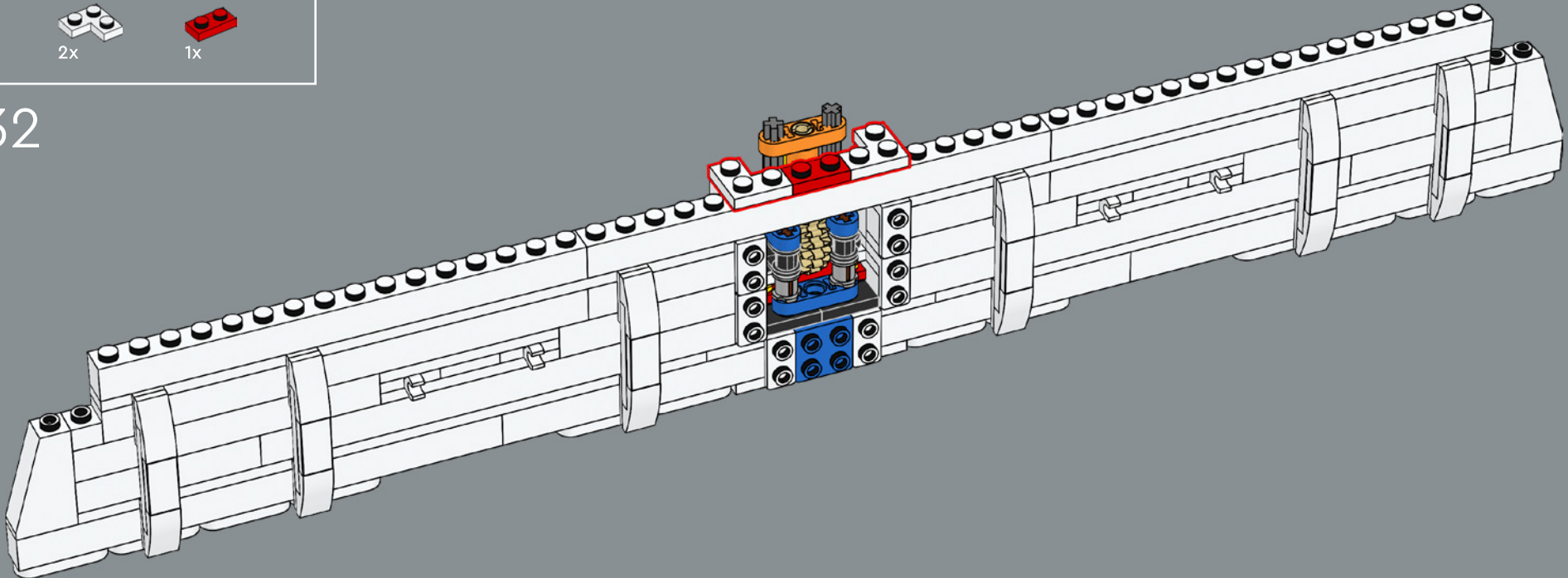


31

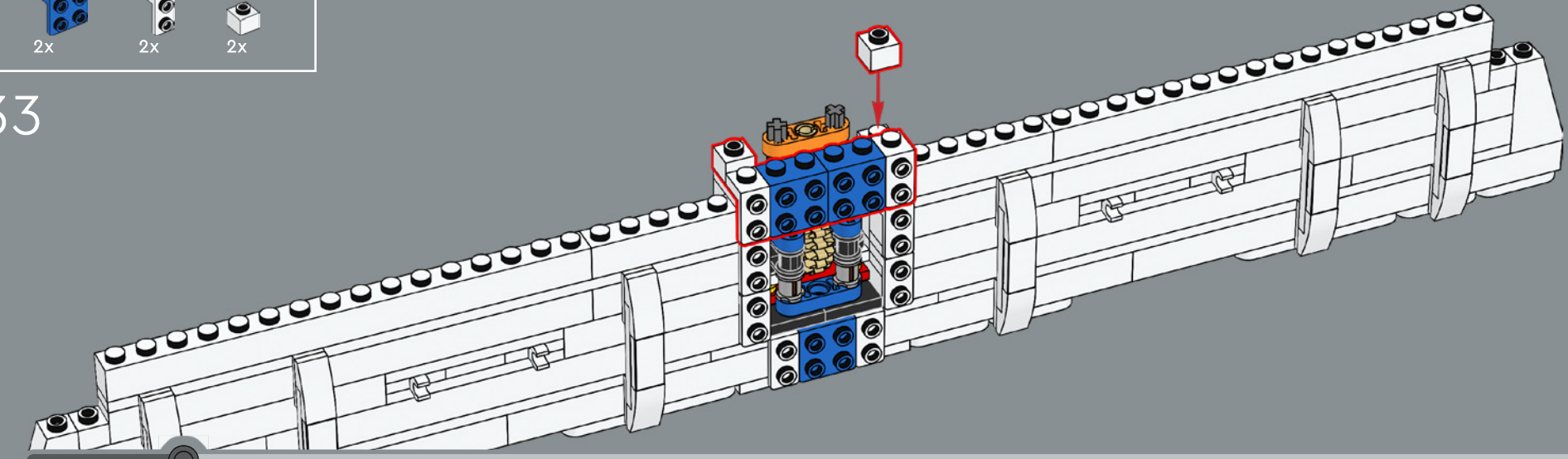


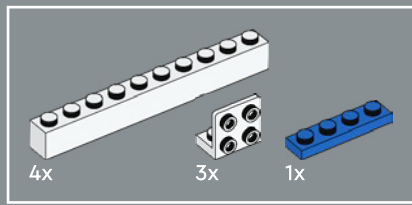


32

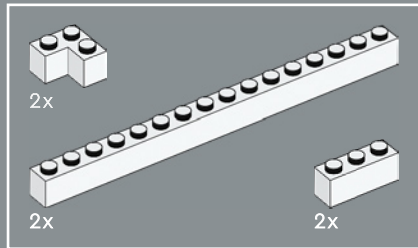
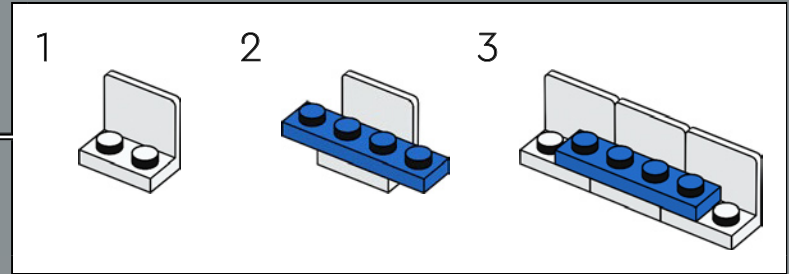
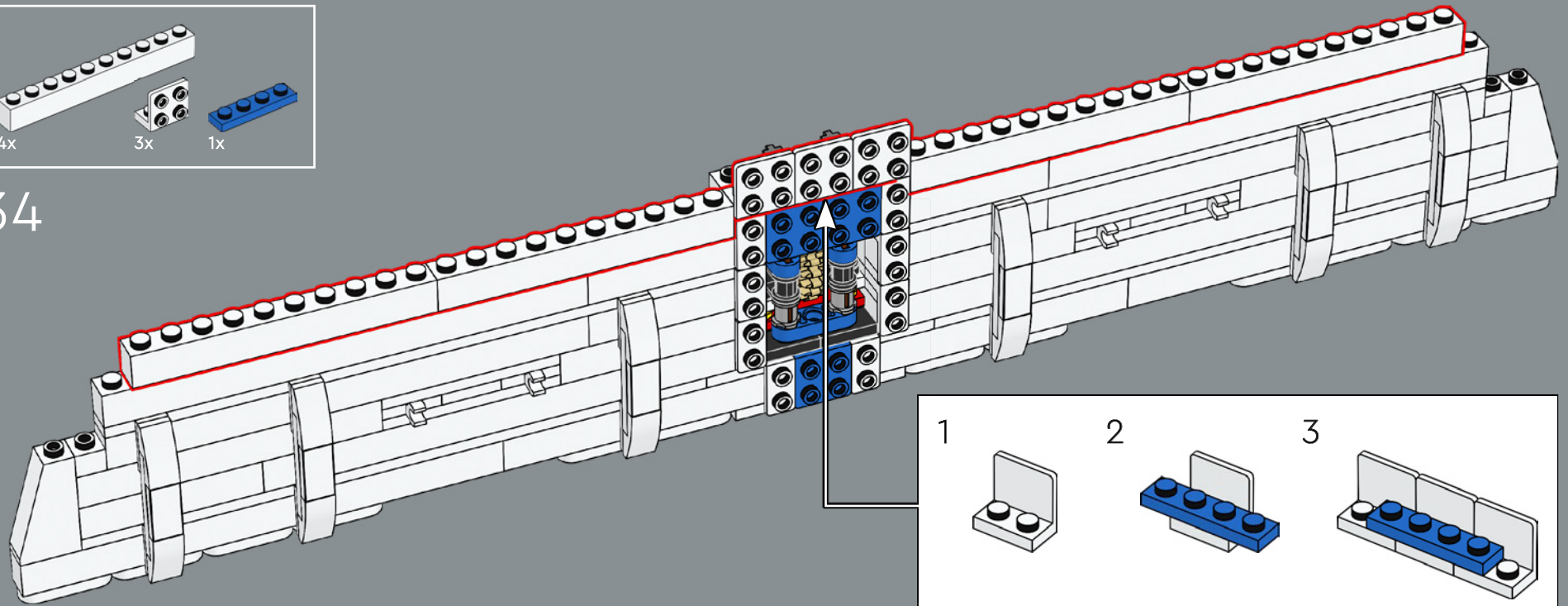


33

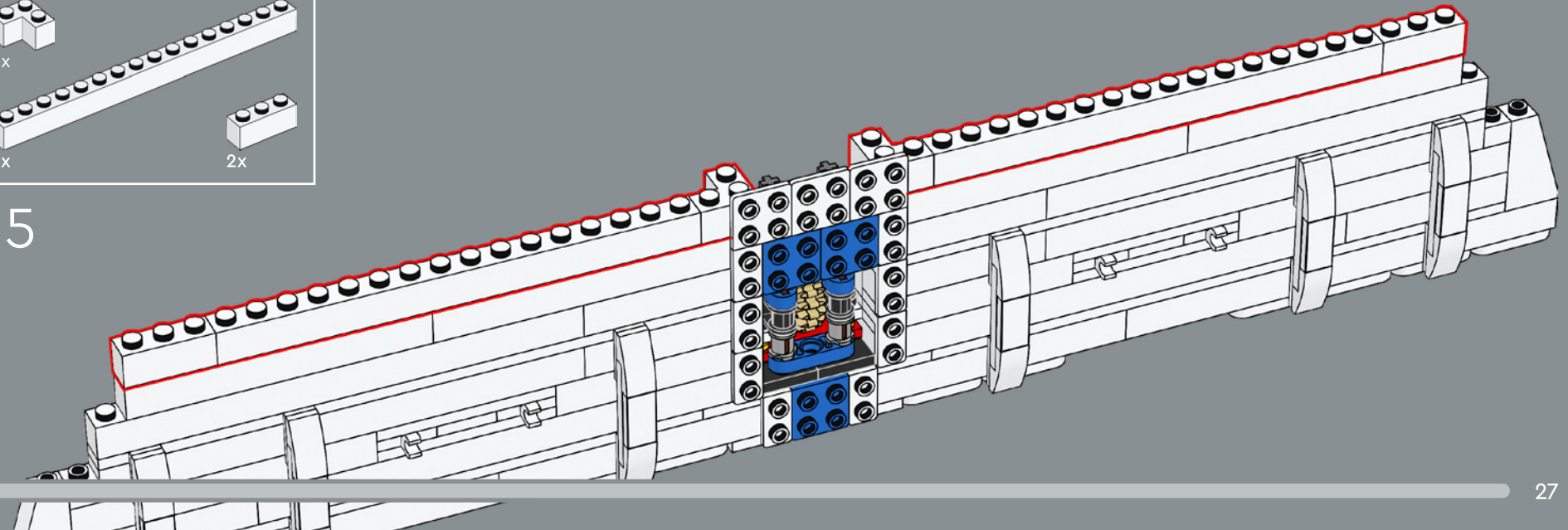


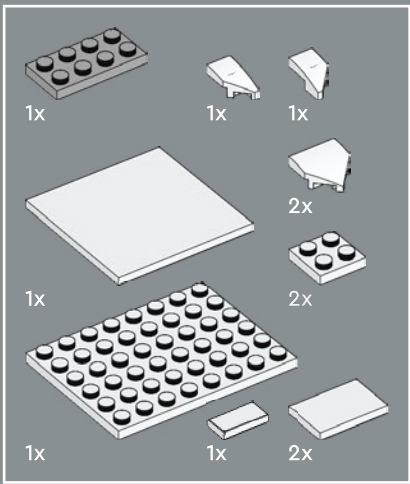


34



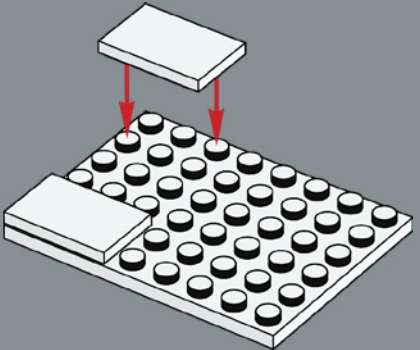
35



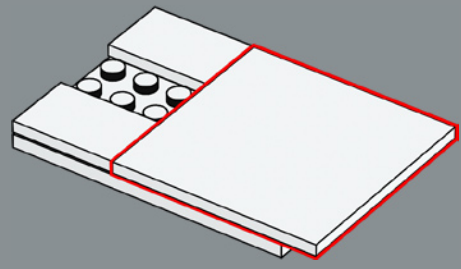


36

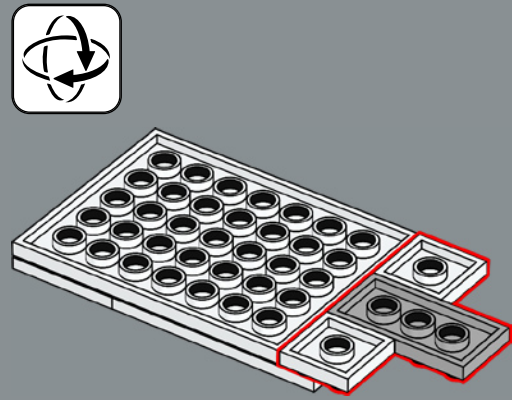
1



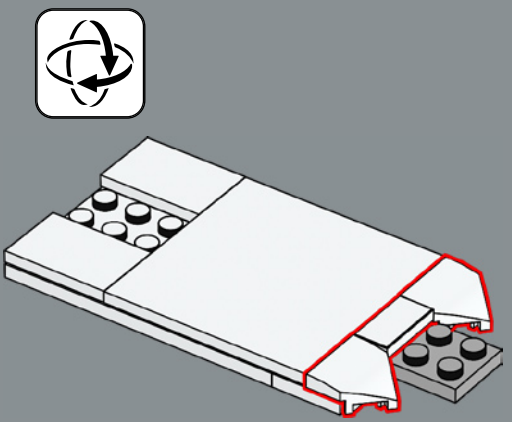
2



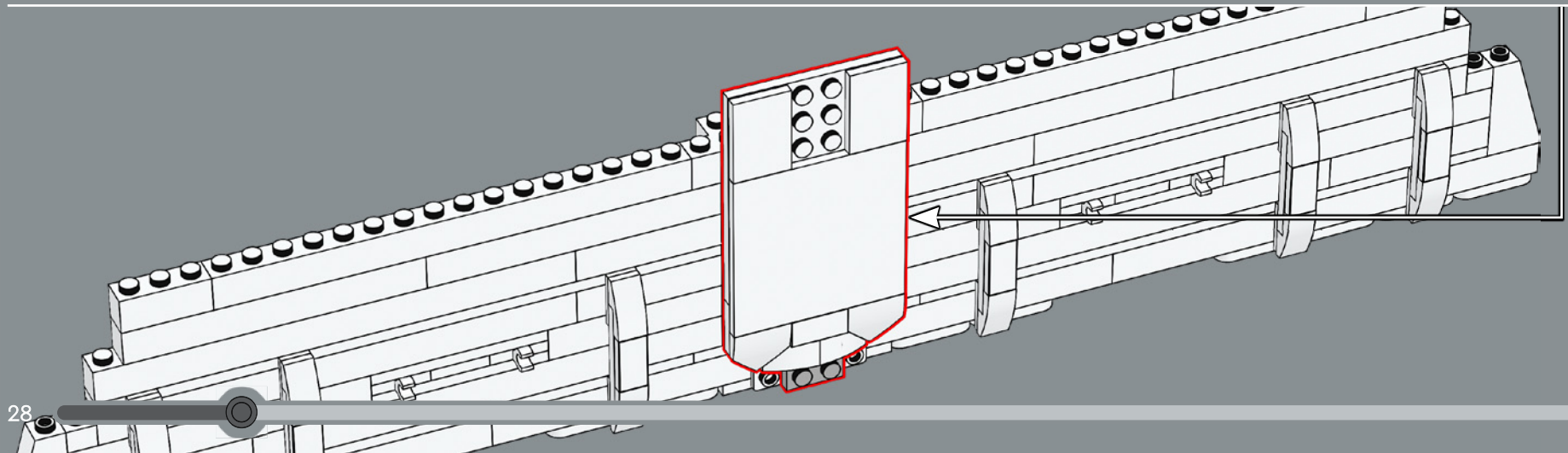
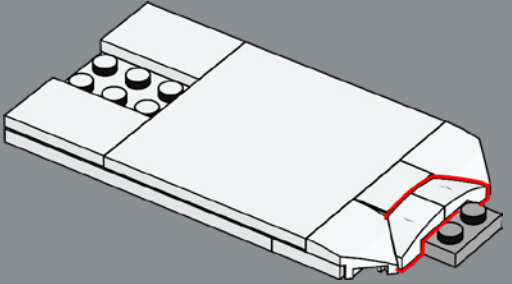
3



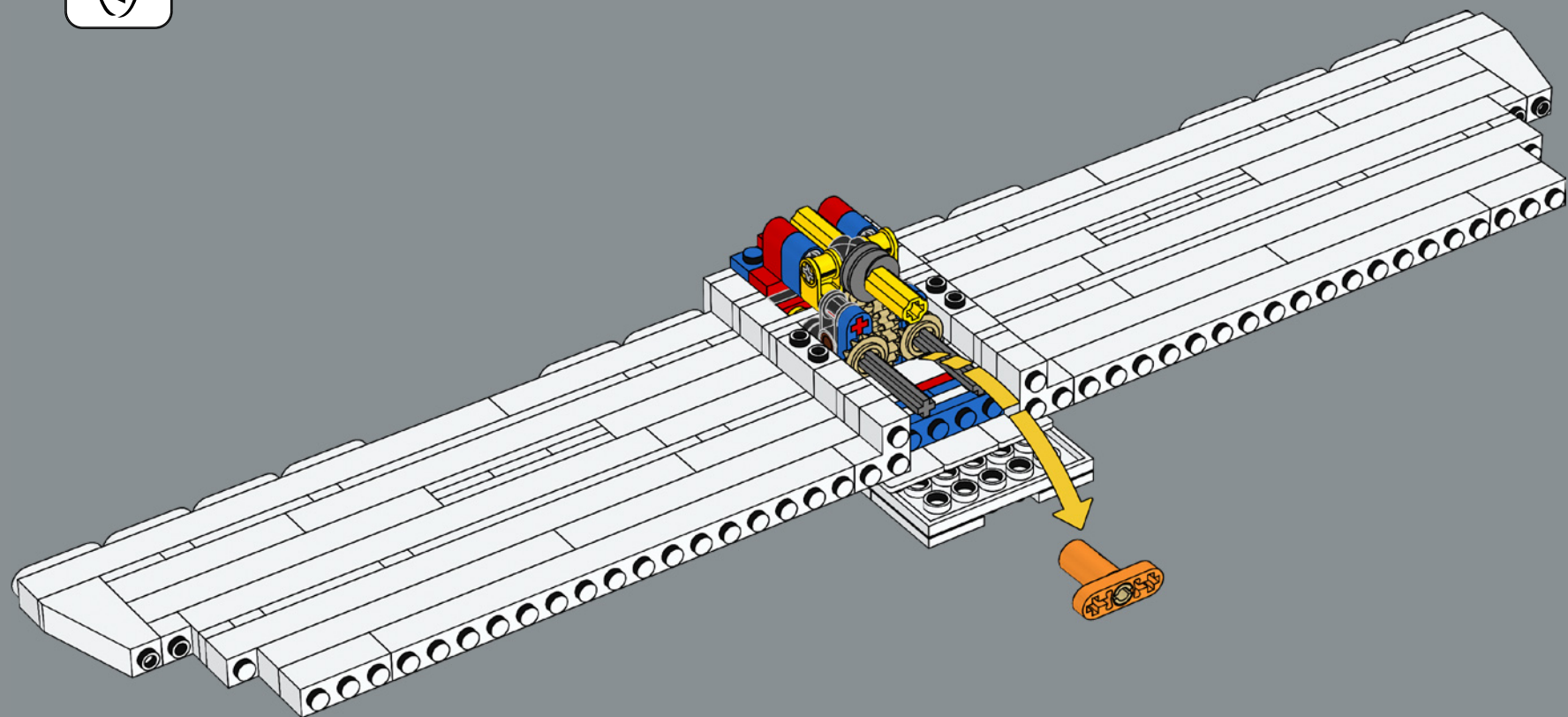
4

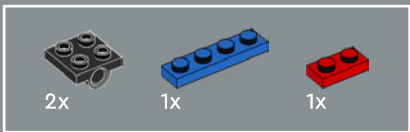


5

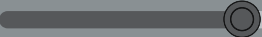
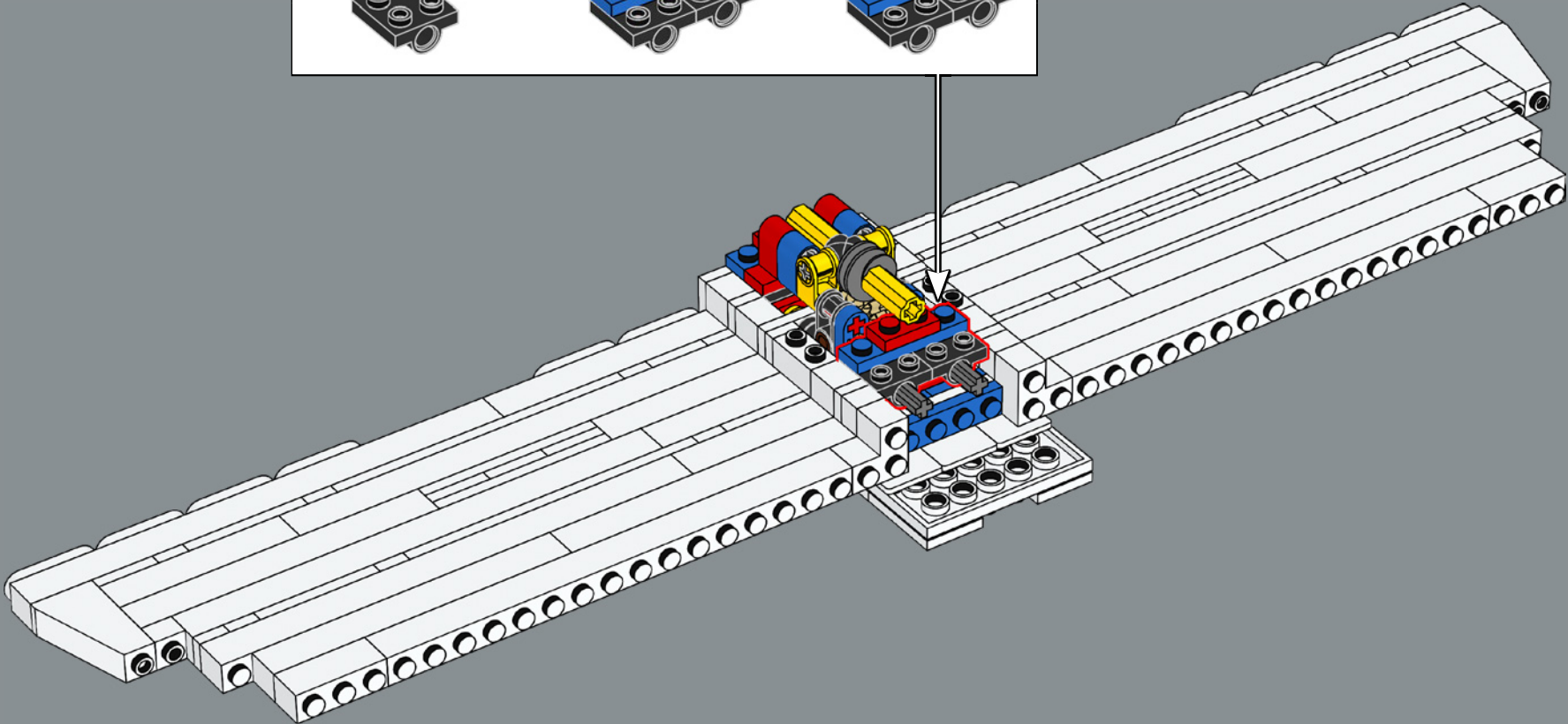
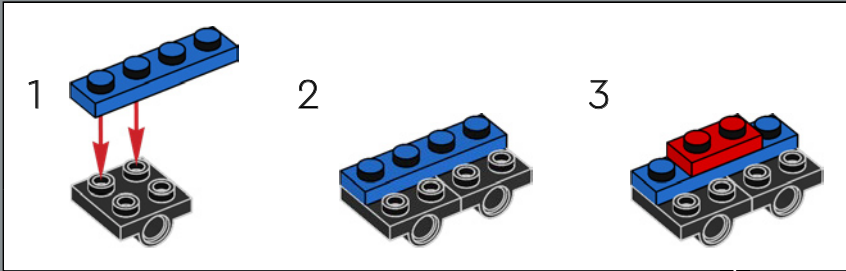


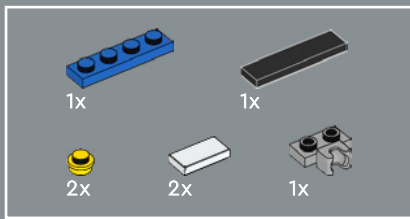
37



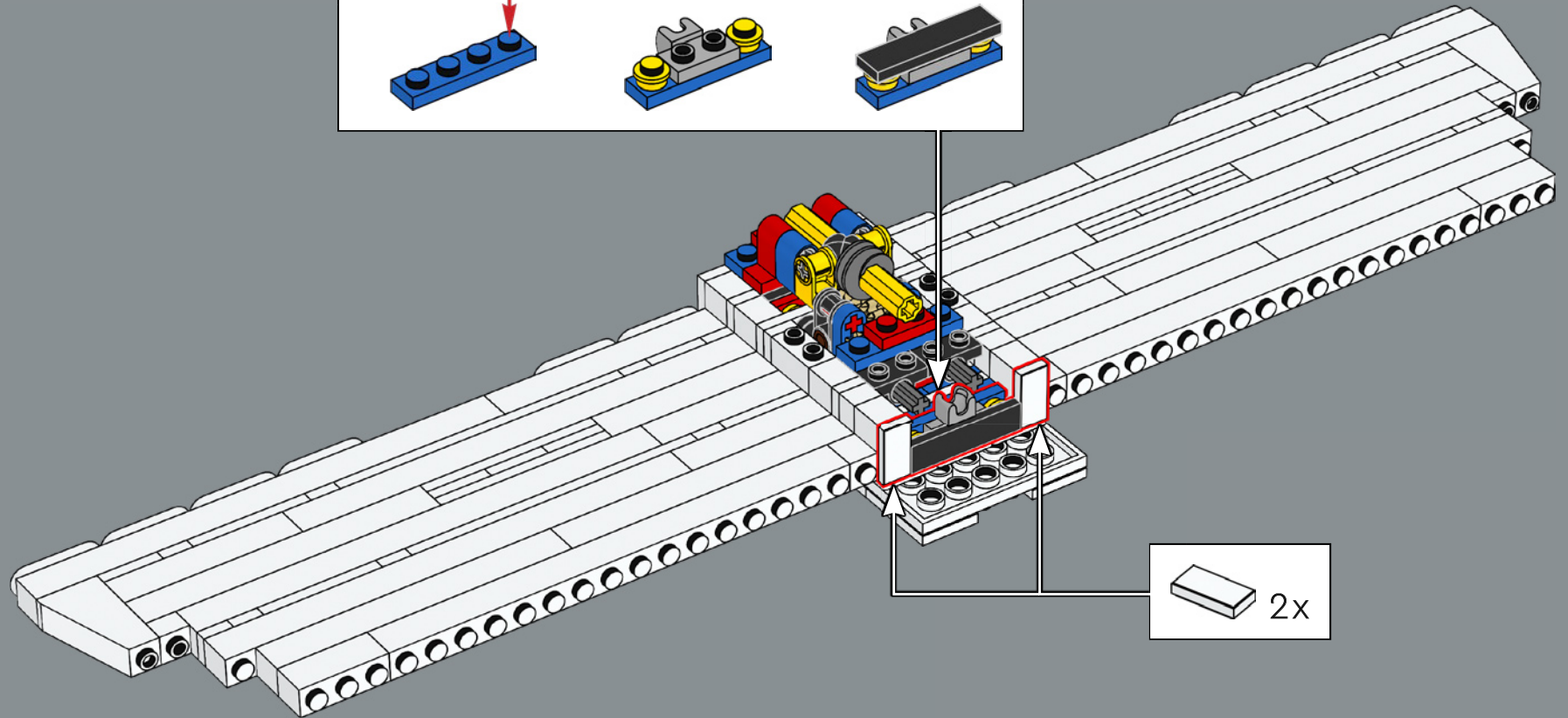
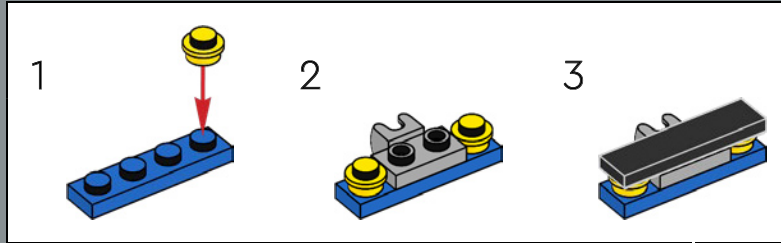


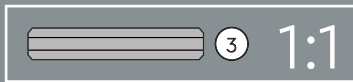
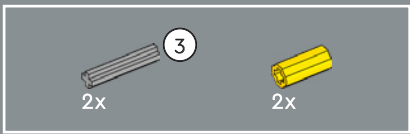
38





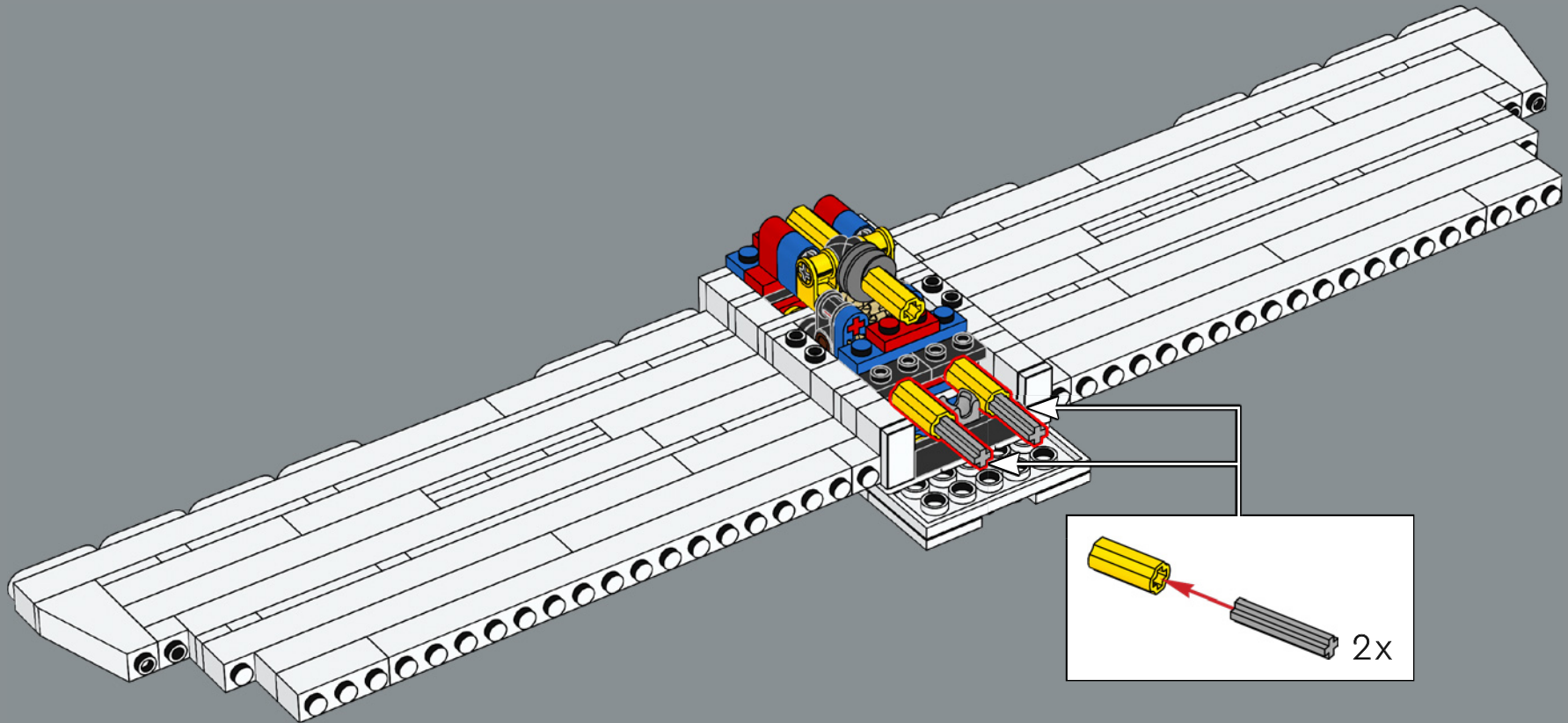
39

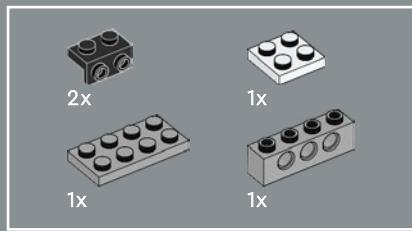




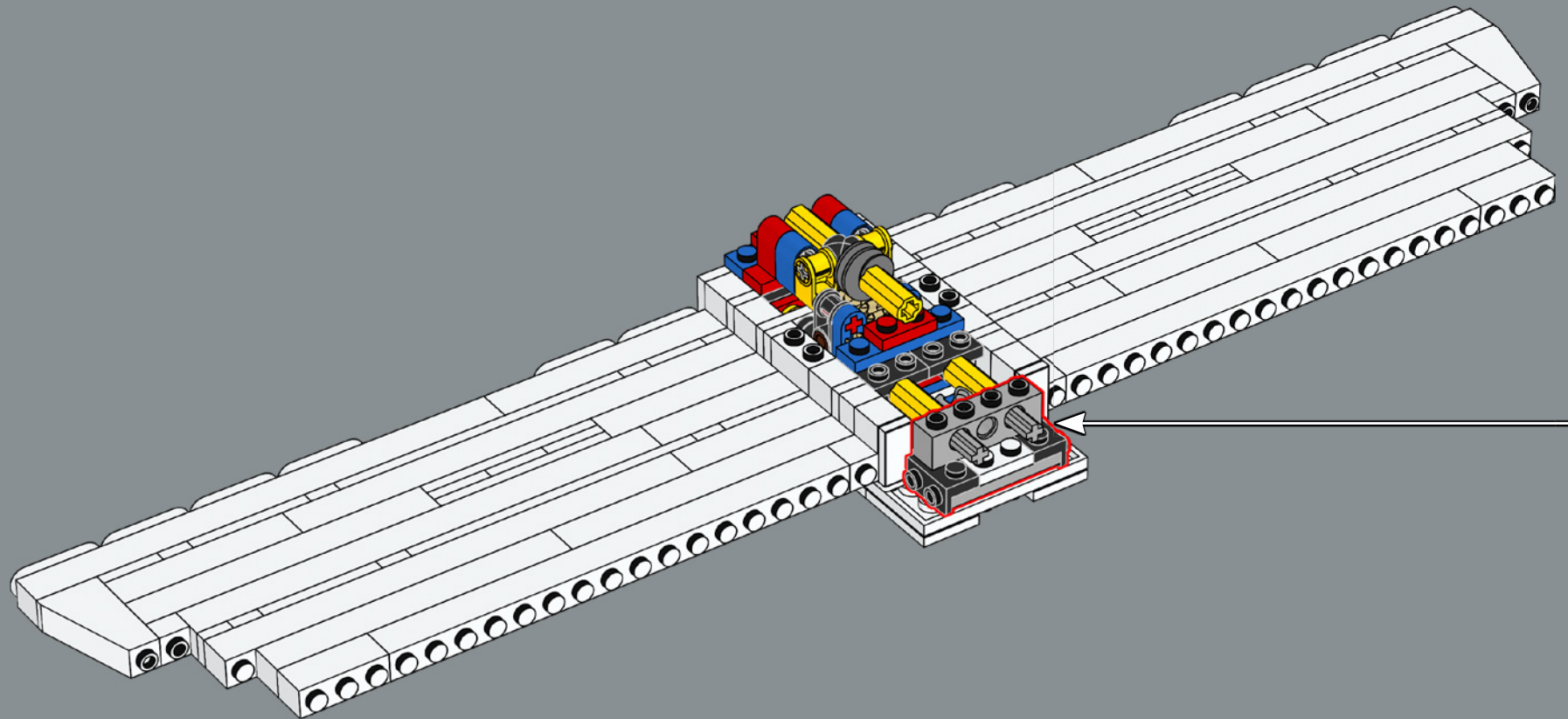
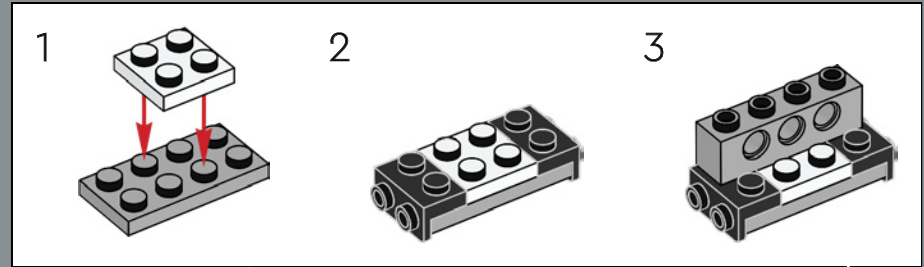
Concorde contains 30.6 km (19 miles) of wiring. We opted for several meters of LEGO® bricks.

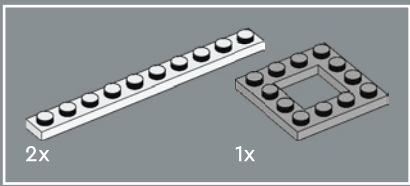
40



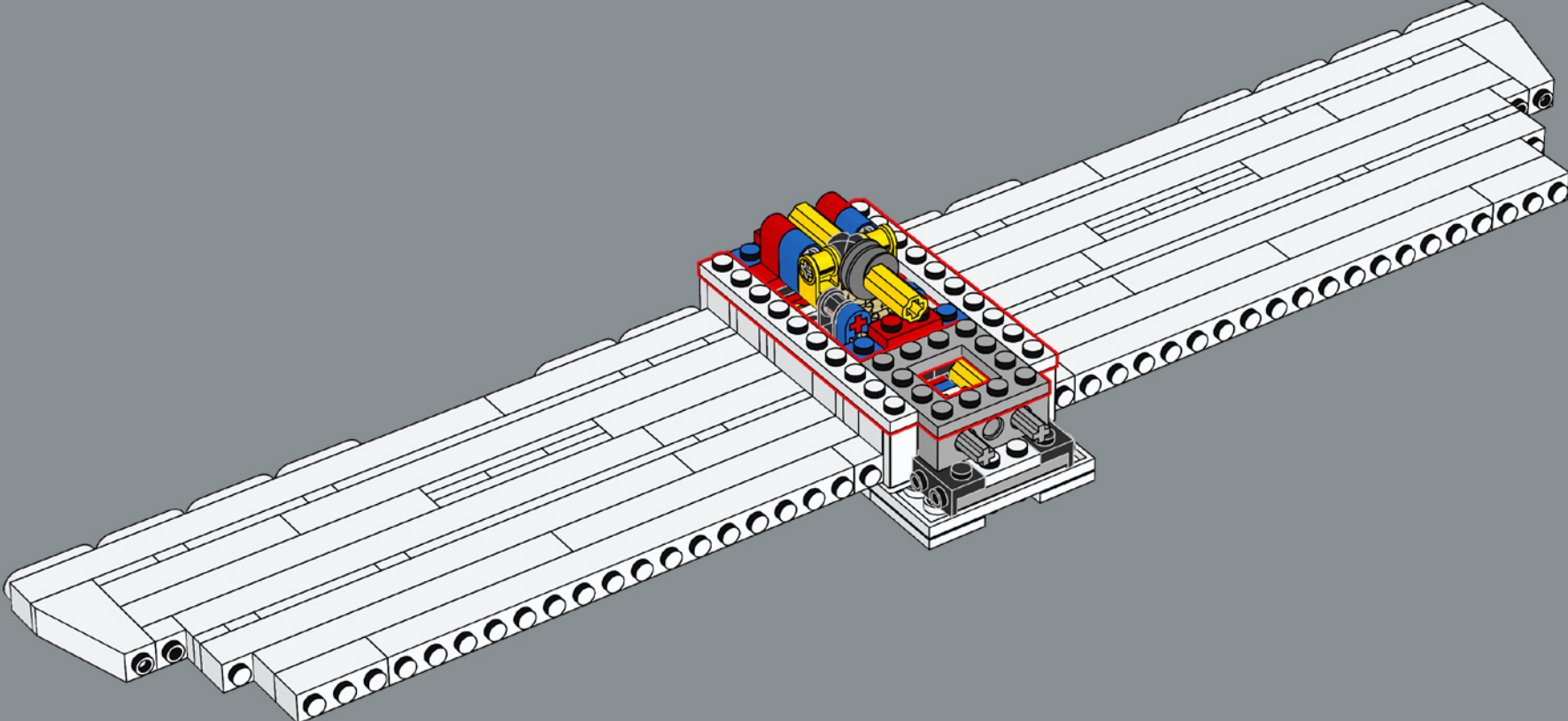


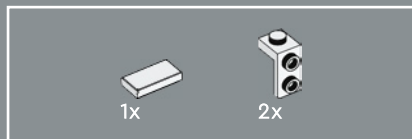
41



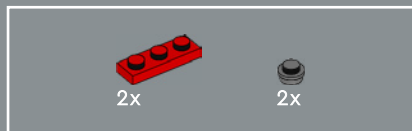
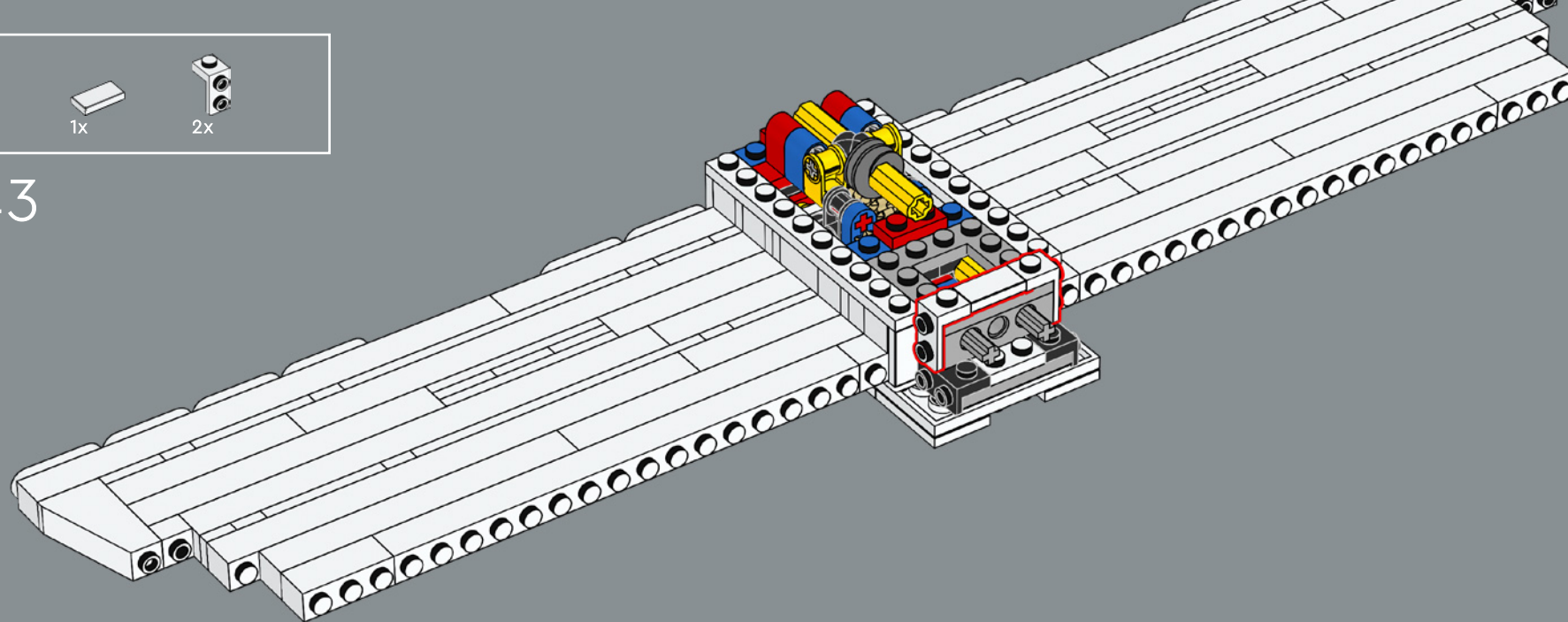


42

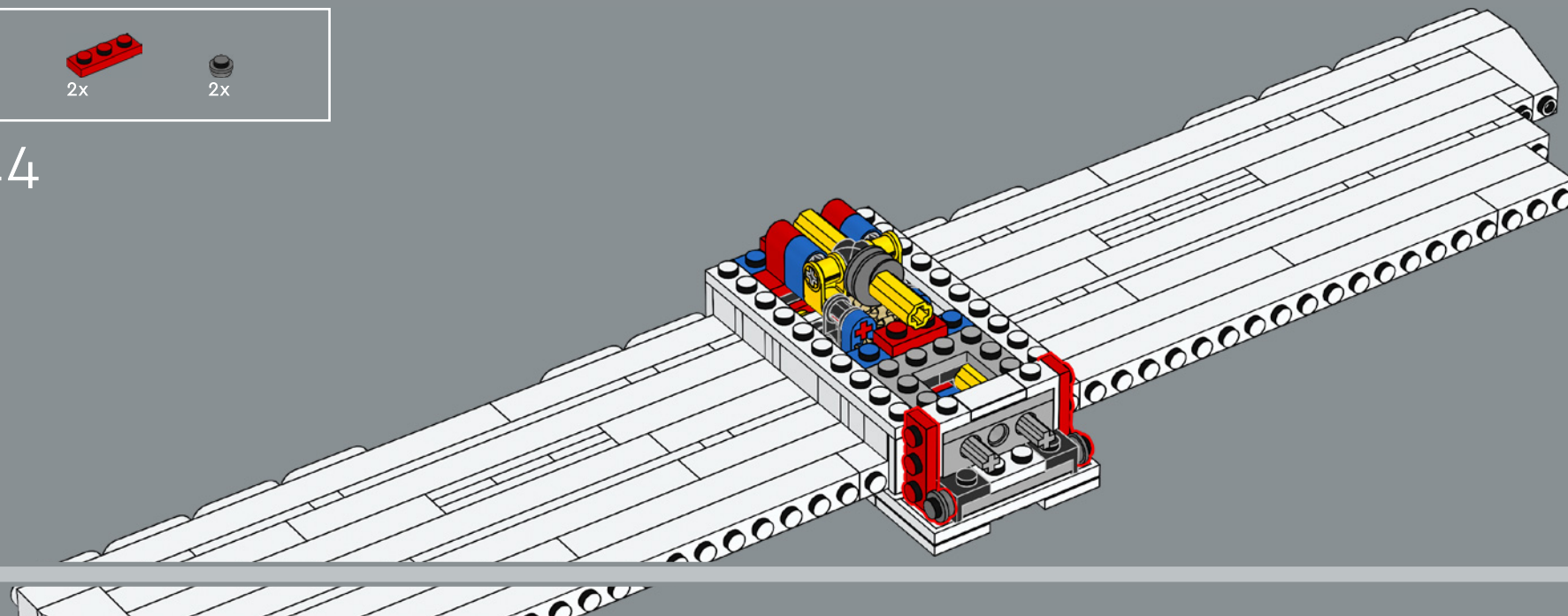


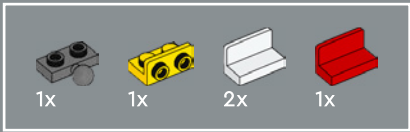


43

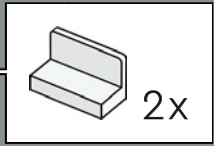
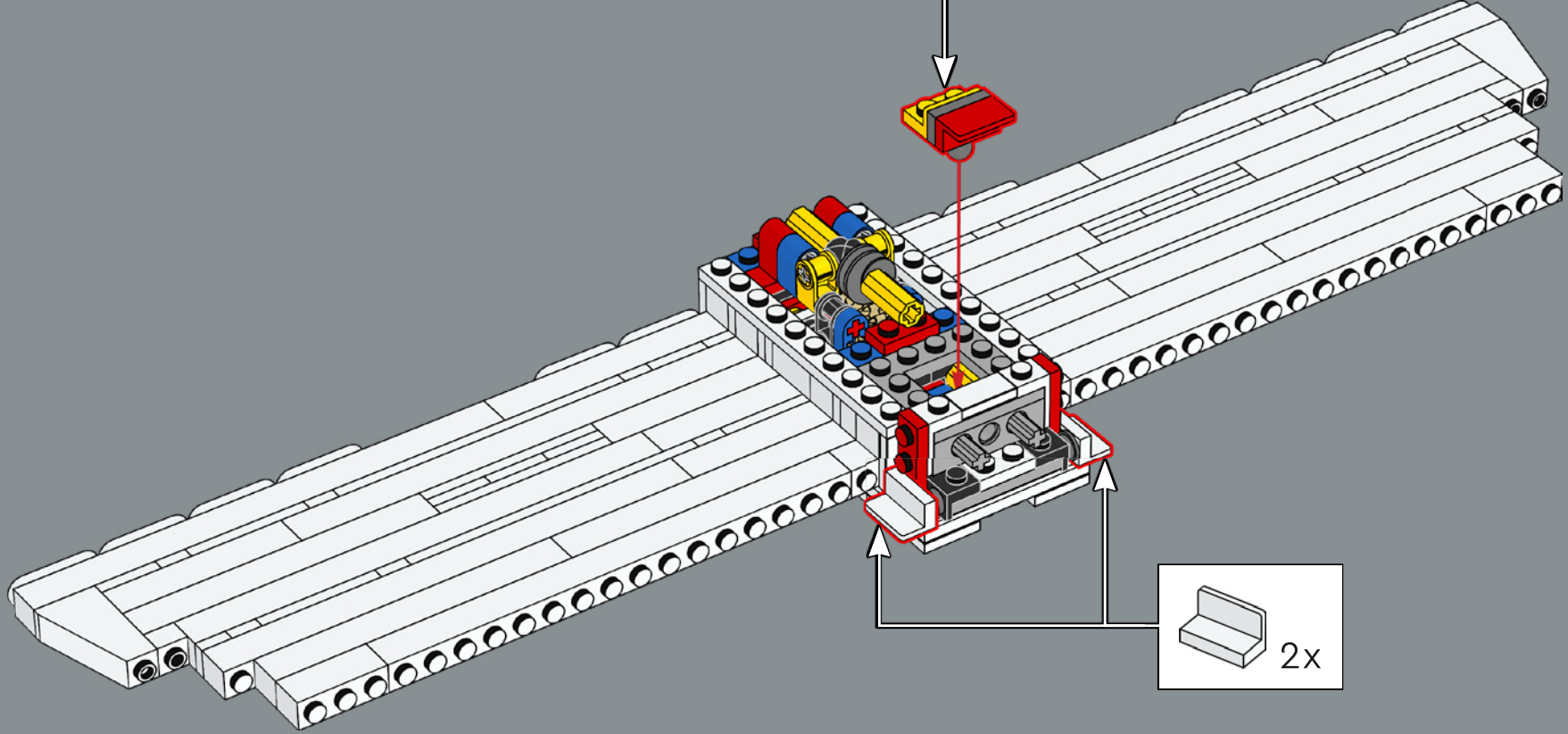
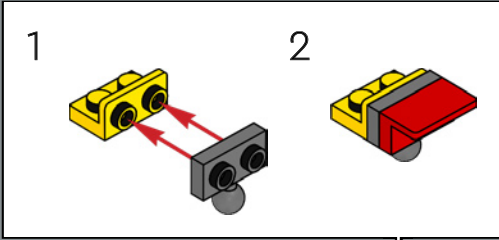


44



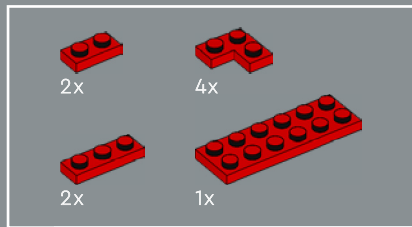
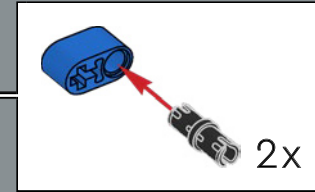
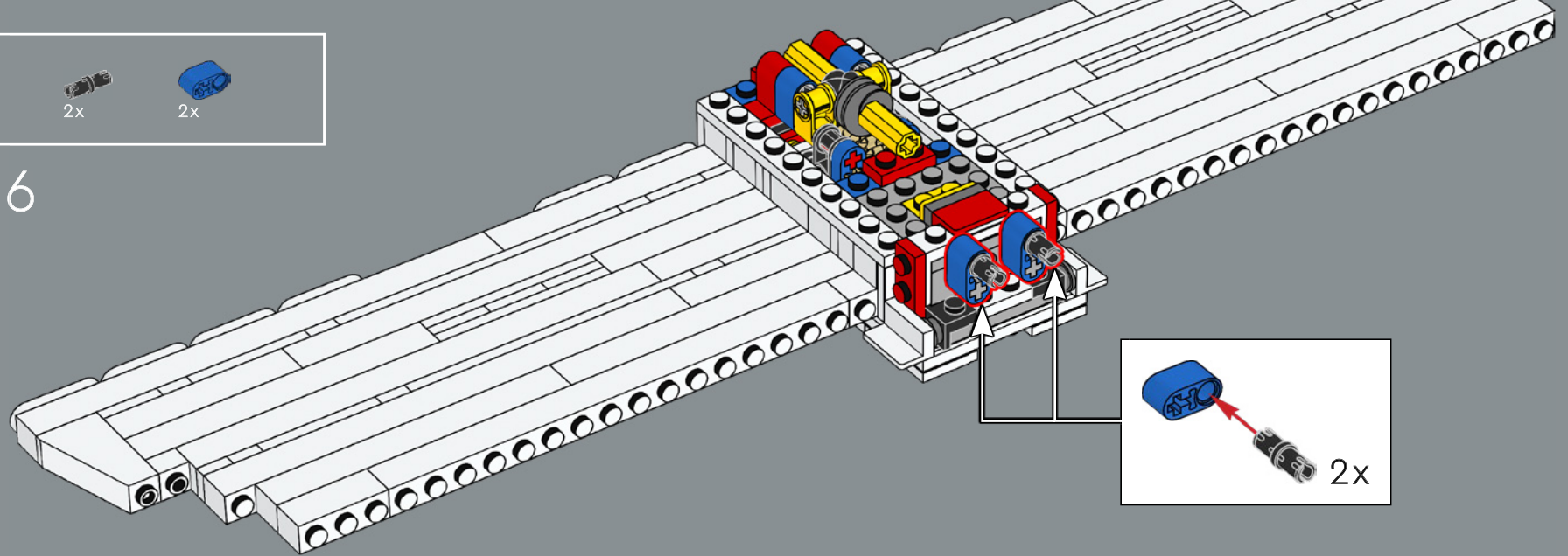


45

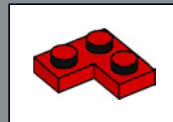
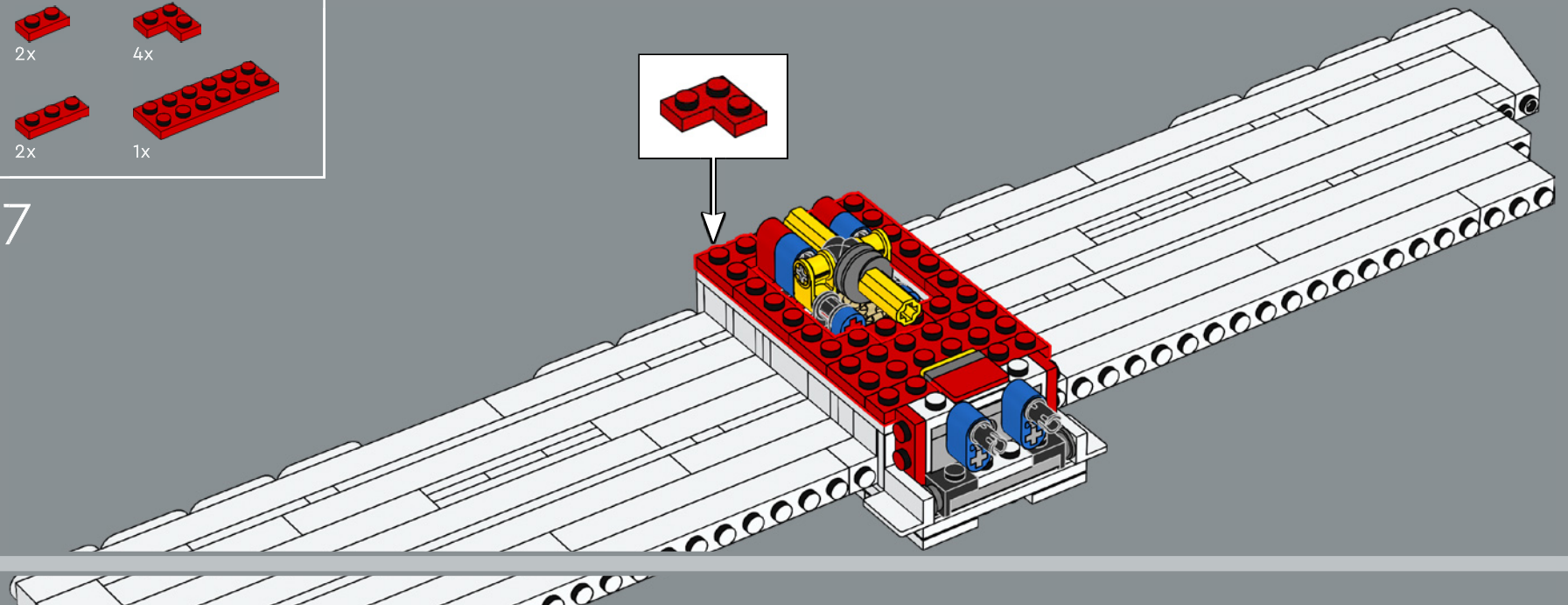


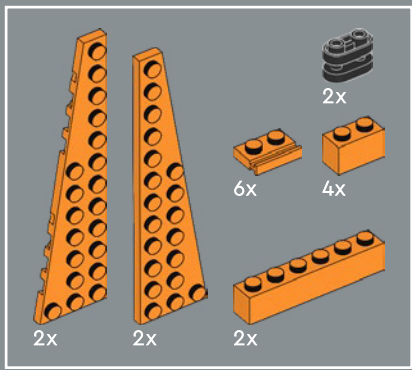


46



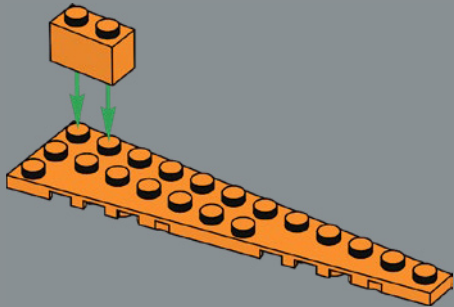
47



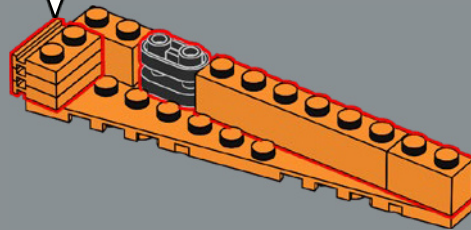
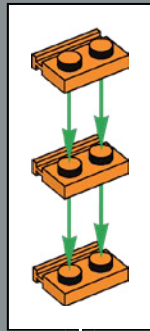


48

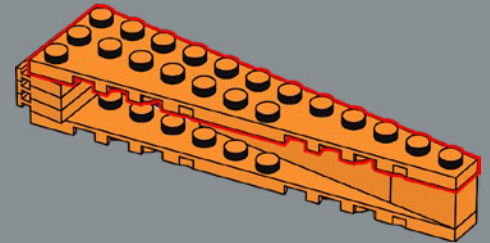
1



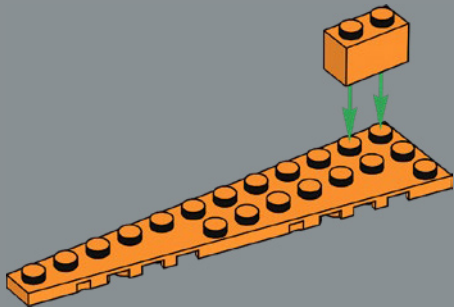
2



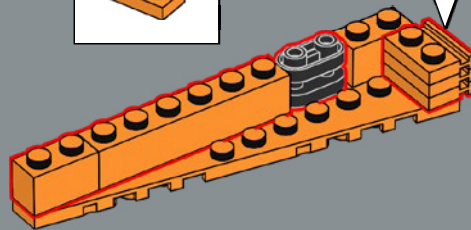
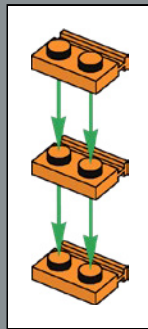
3



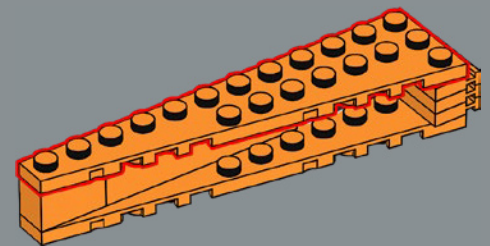
1

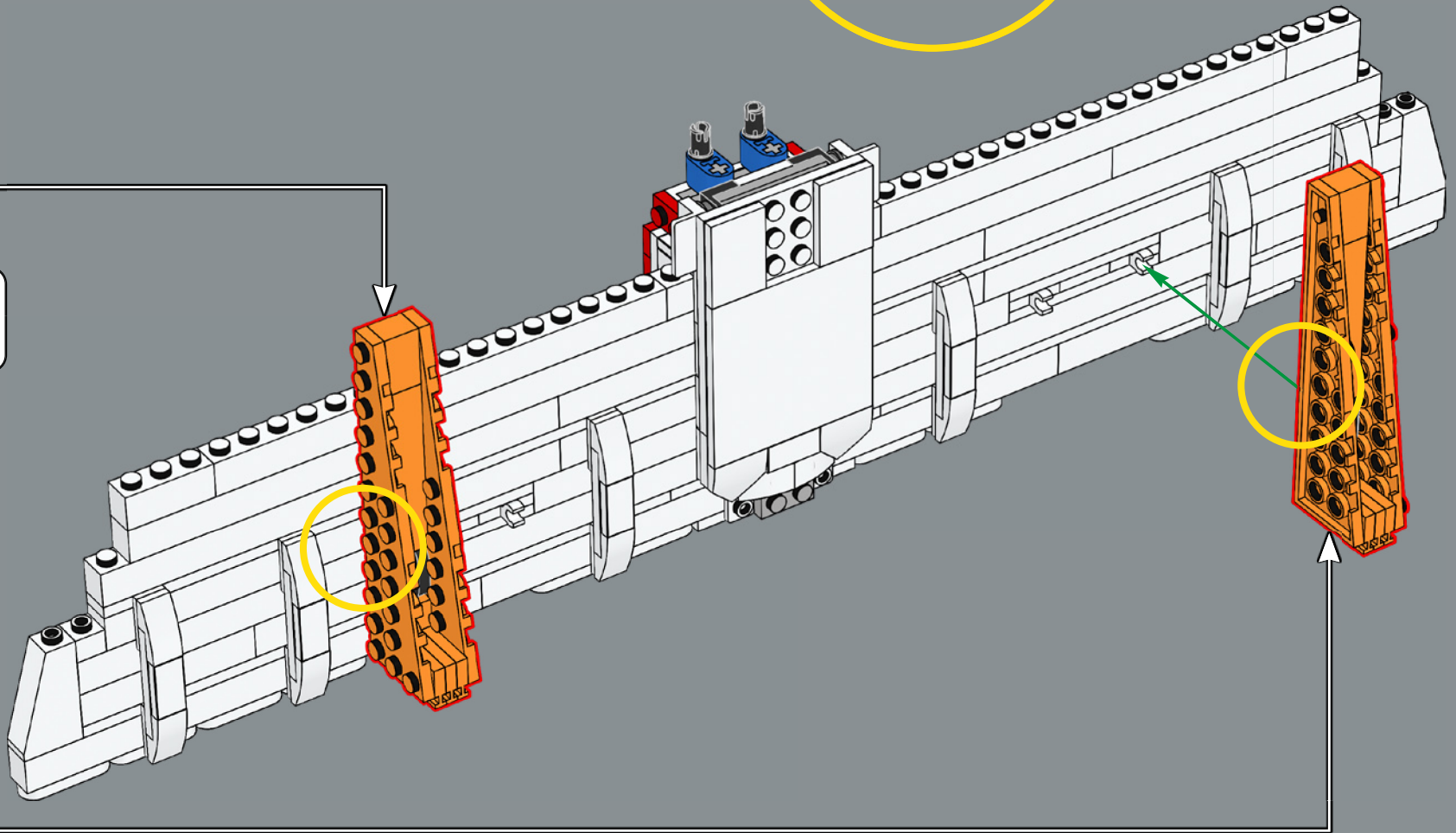


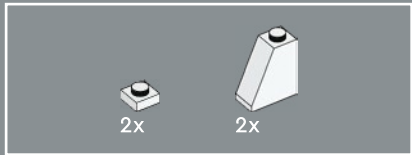
2



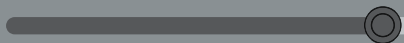
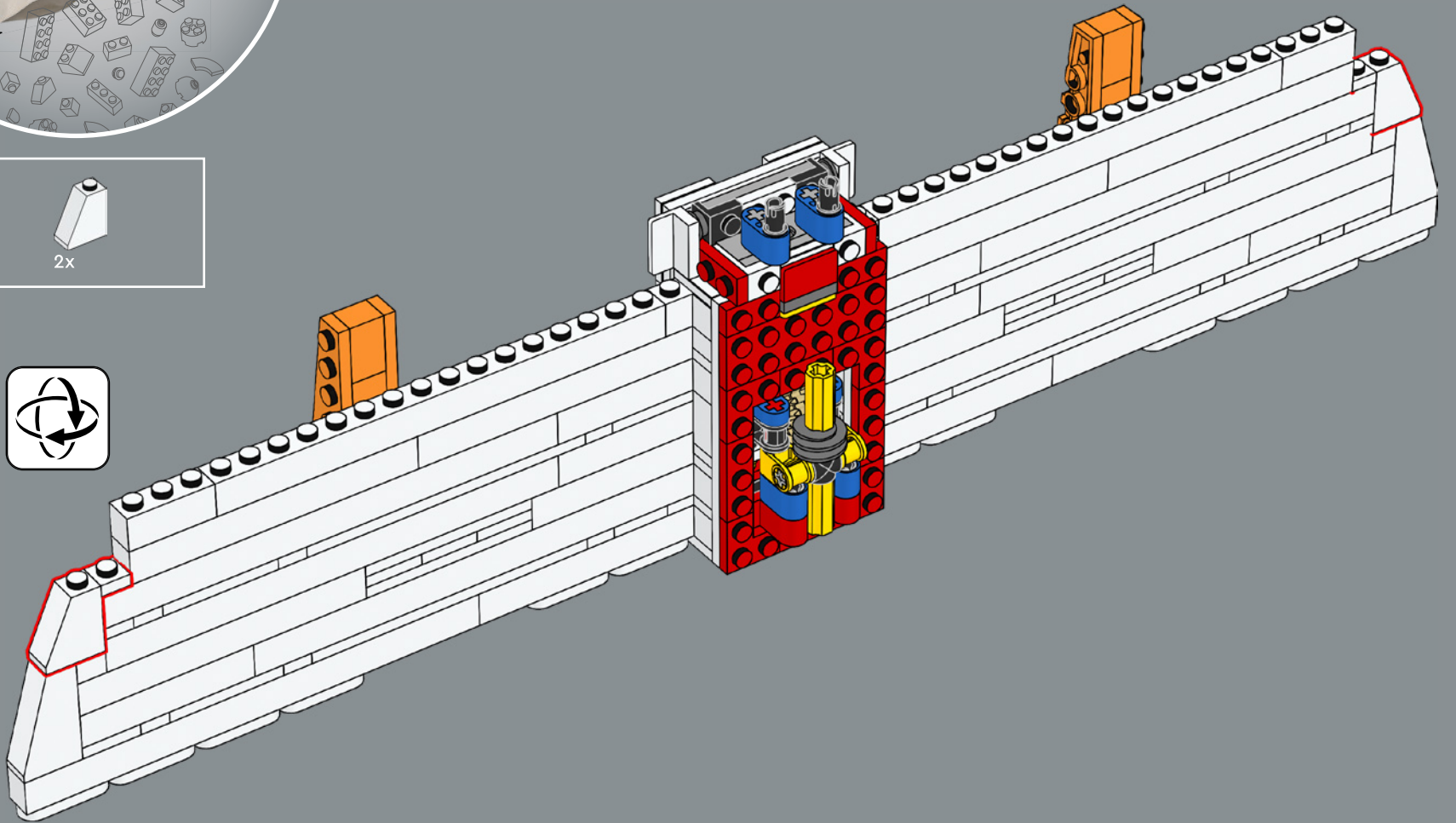
3

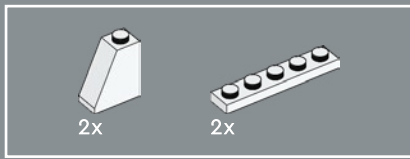




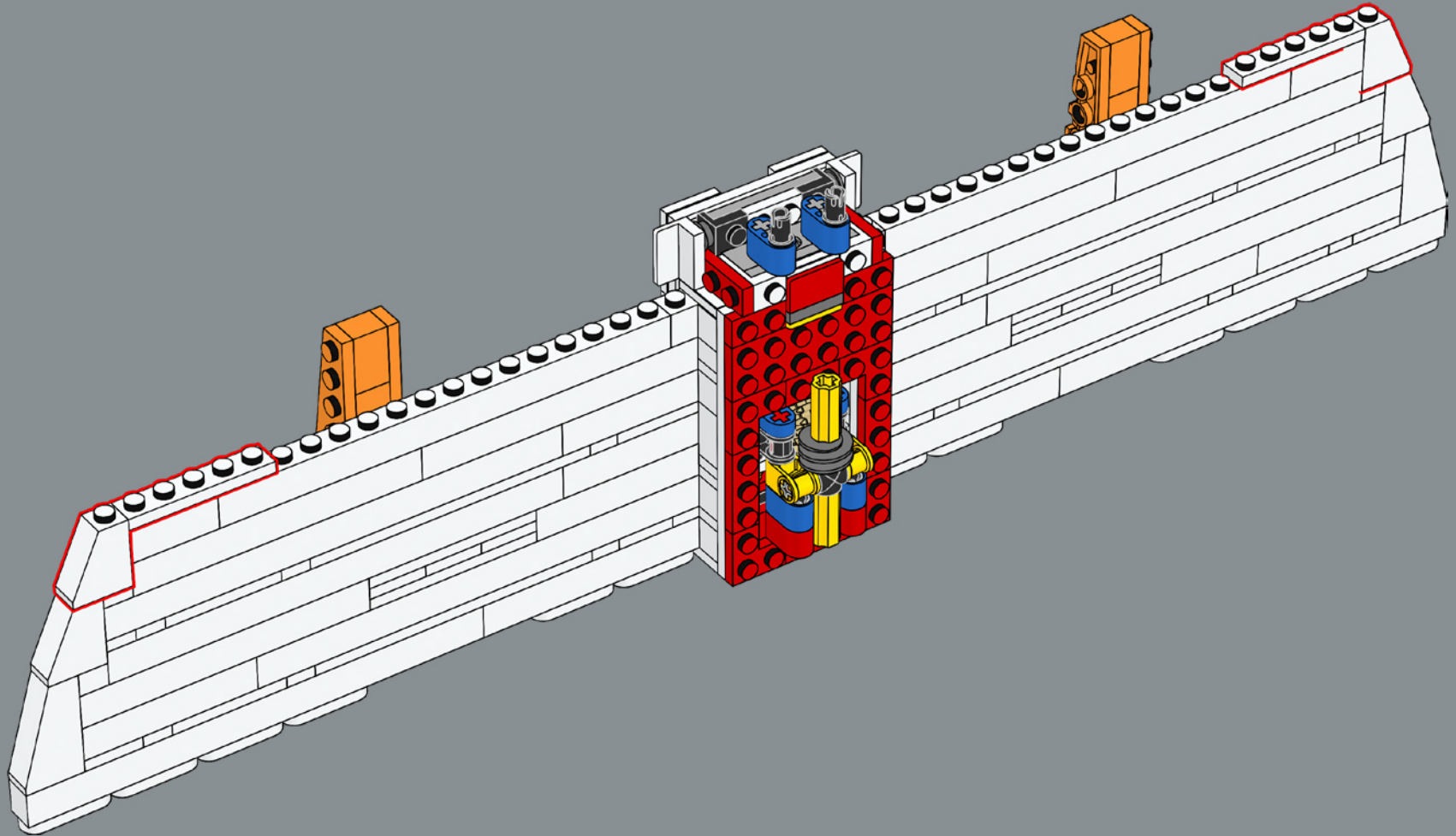


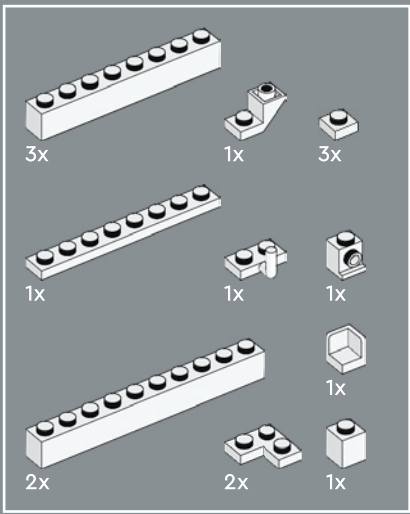
49



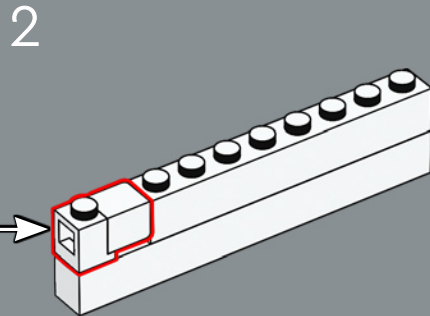
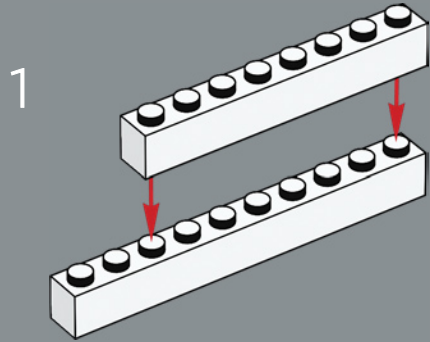


50

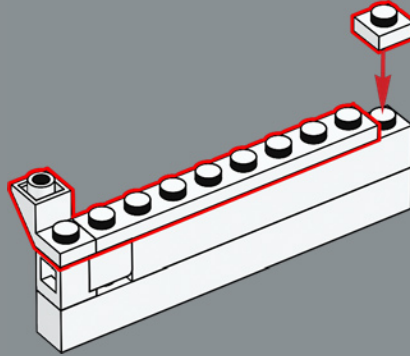




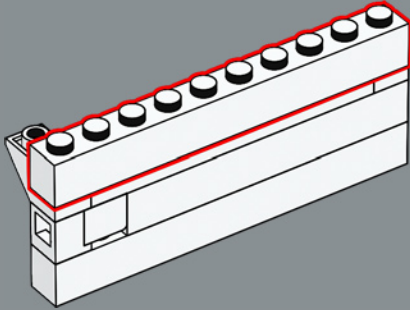
51



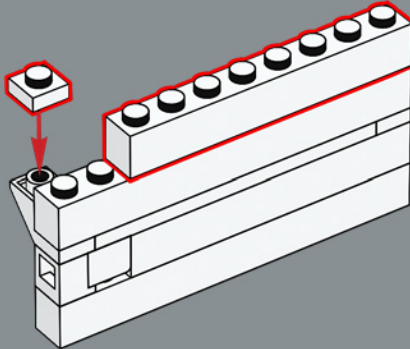
3



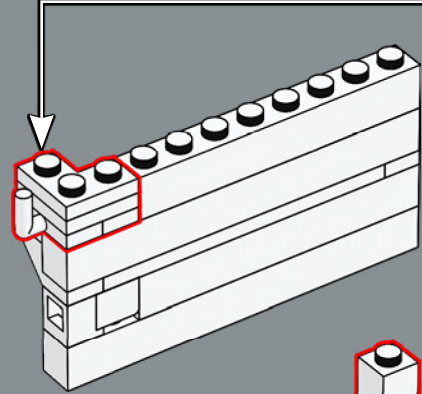
4



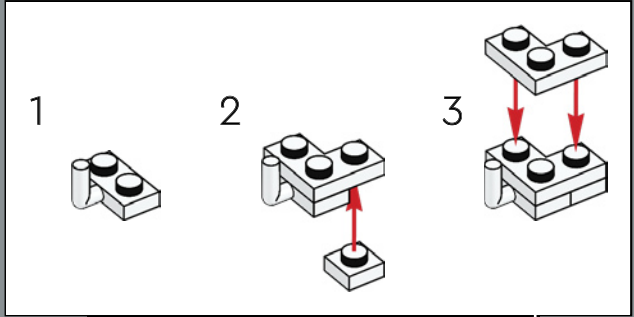
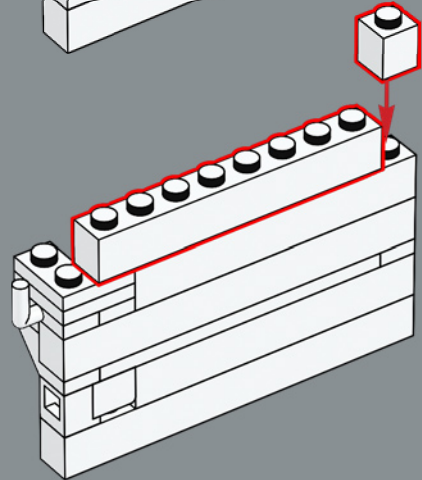
5

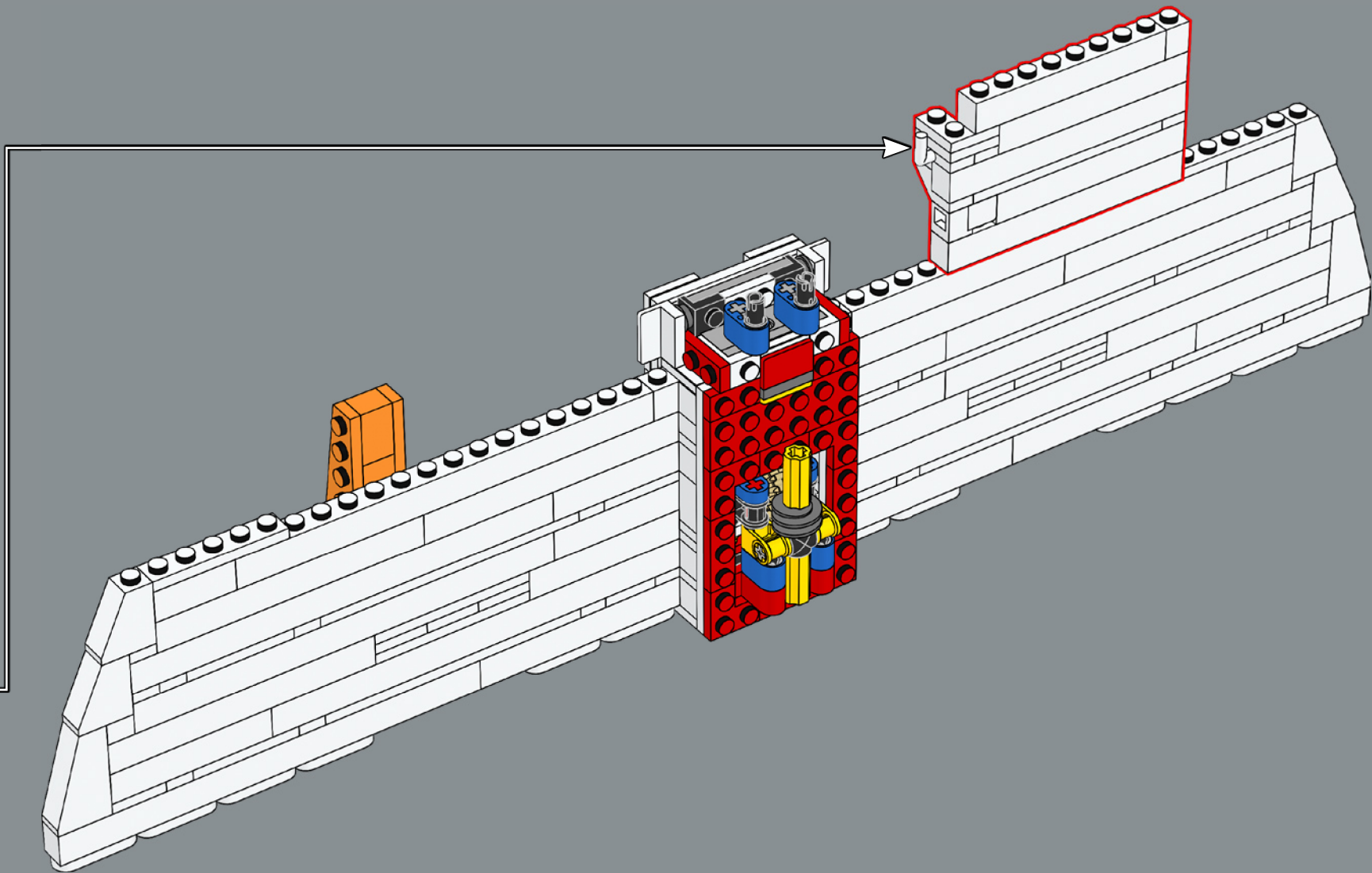


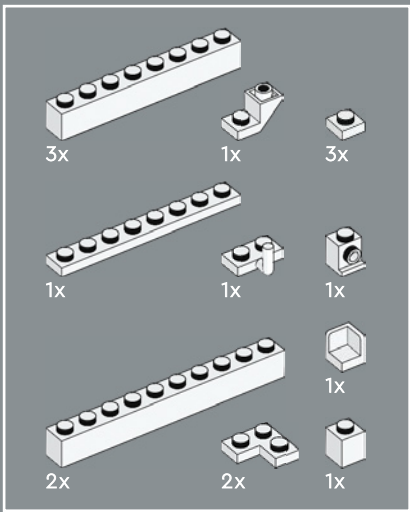
6



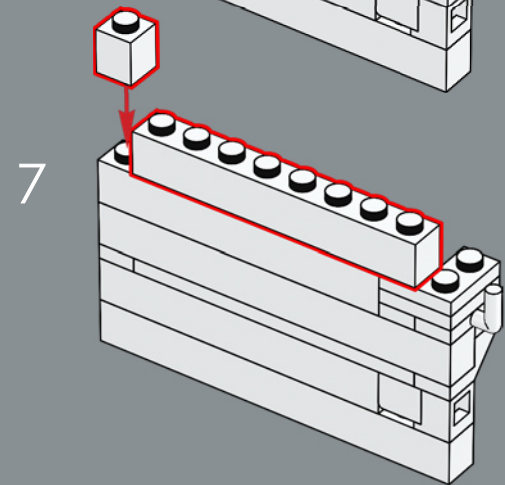
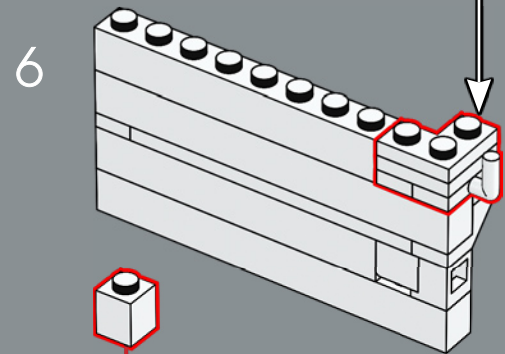
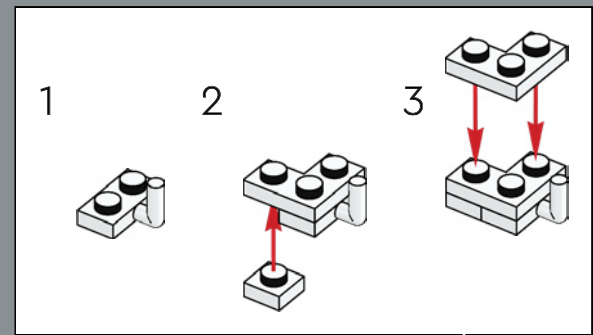
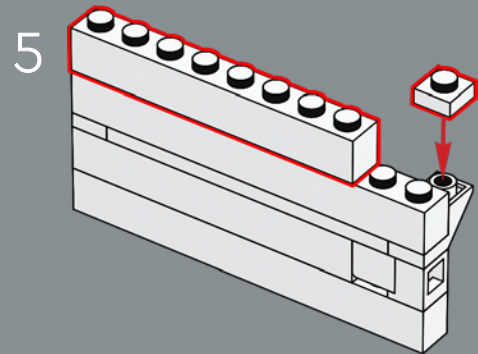
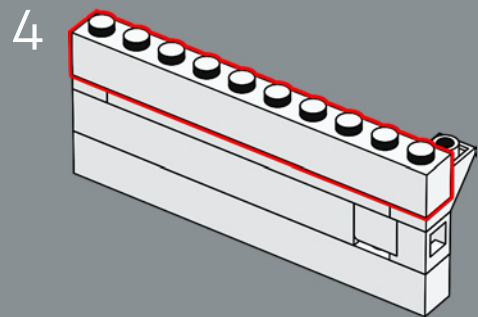
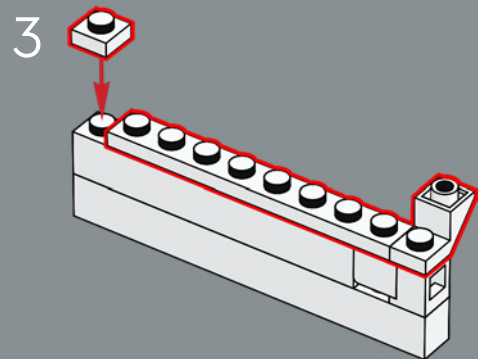
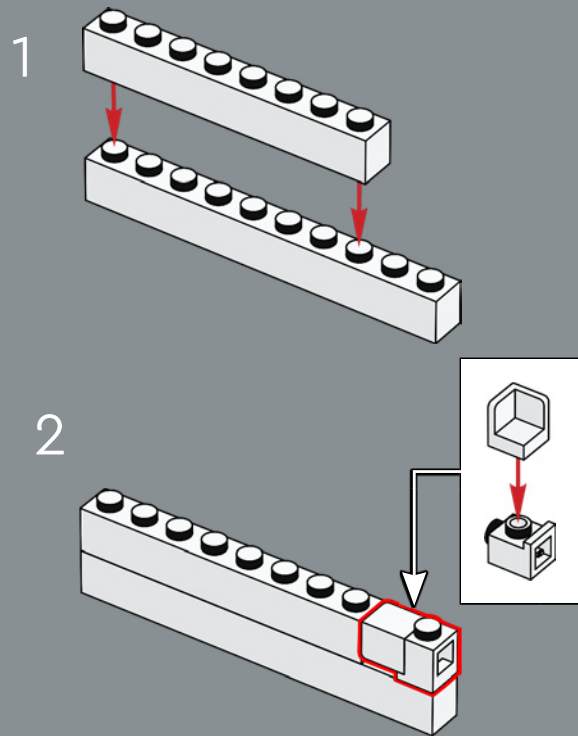
7

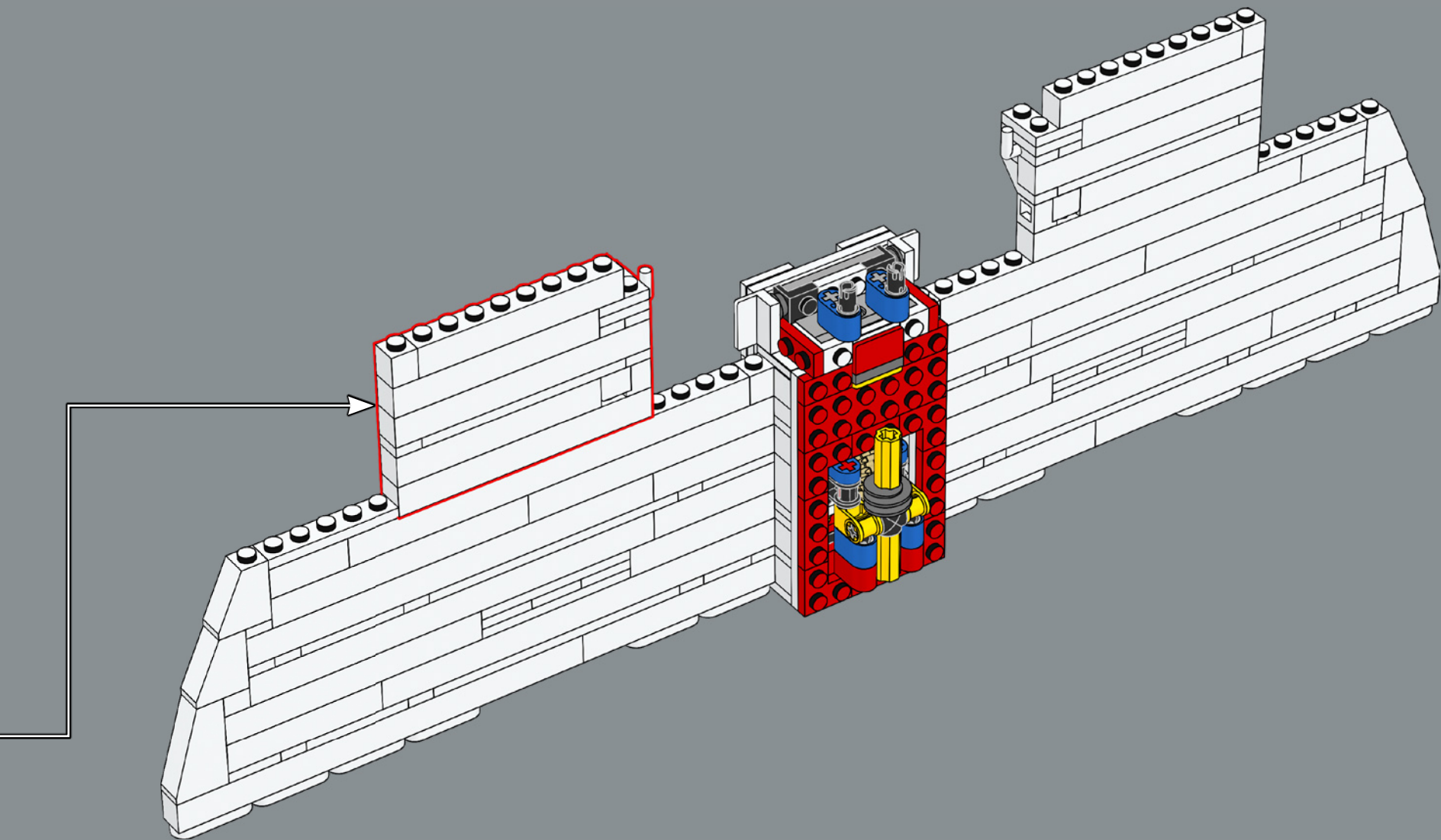


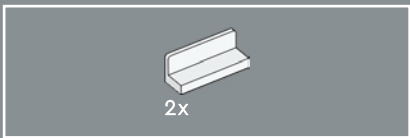




52

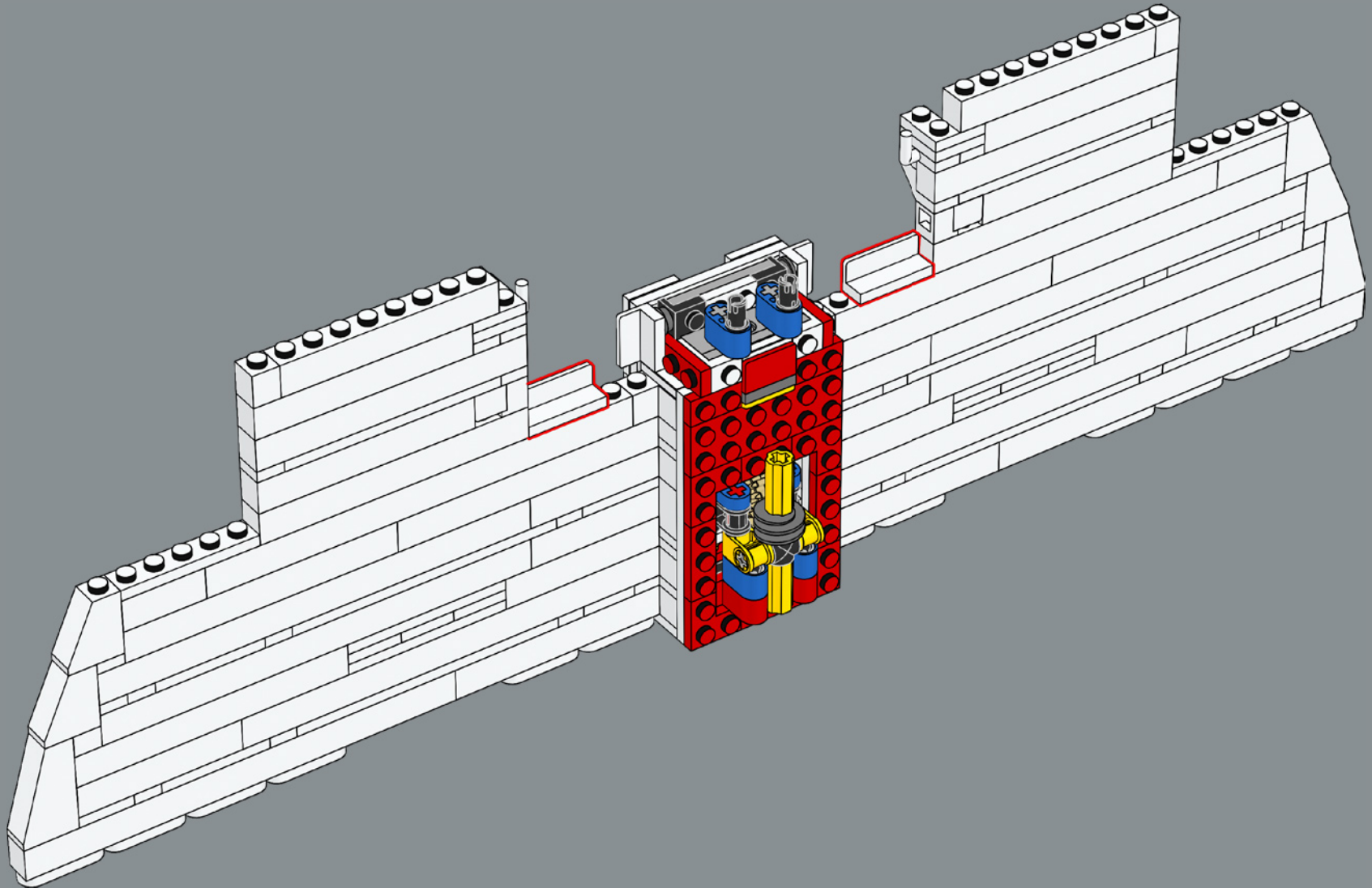


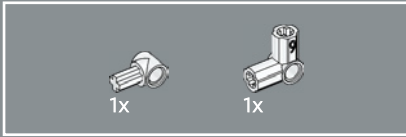
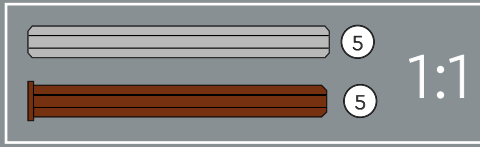
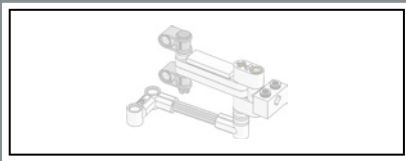




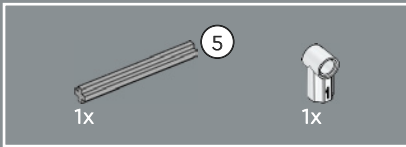
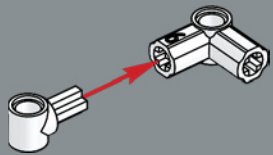
Concorde had a tricycle landing gear configuration. The mechanism you're now building will trigger the main landing gear, situated in the middle of the delta wing.

53

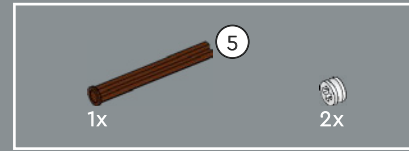
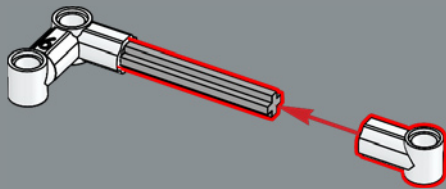




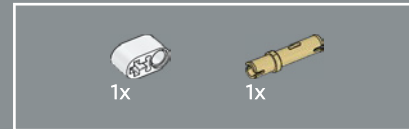
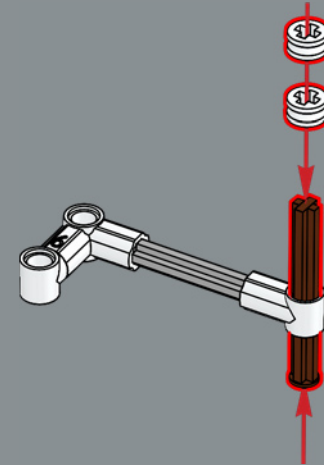
54



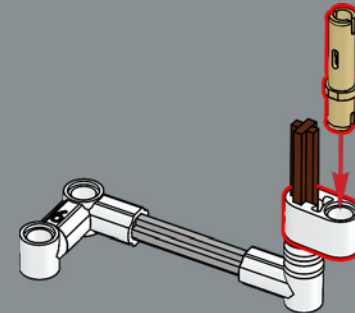
55

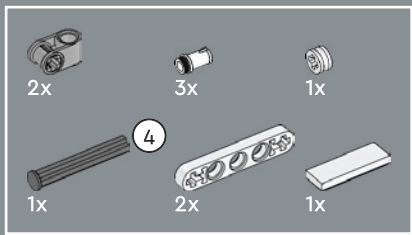


56

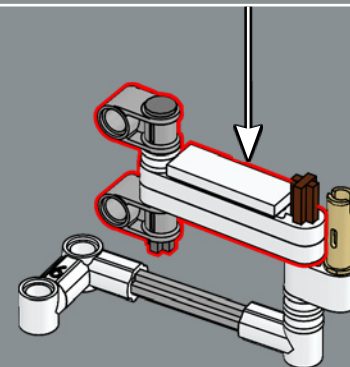
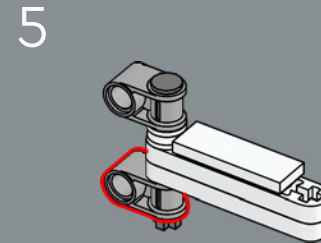
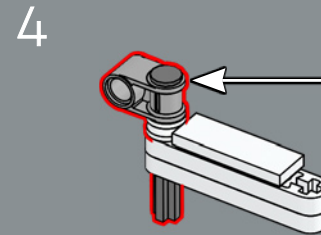
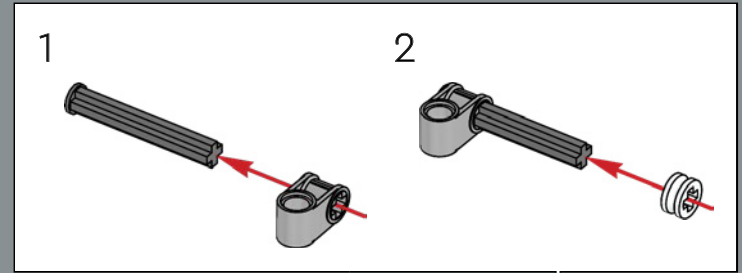
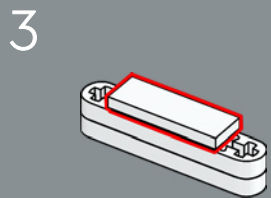
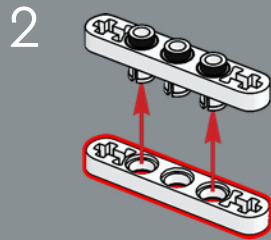
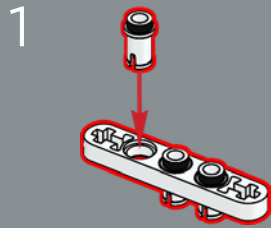


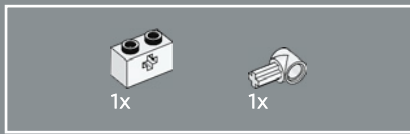
57



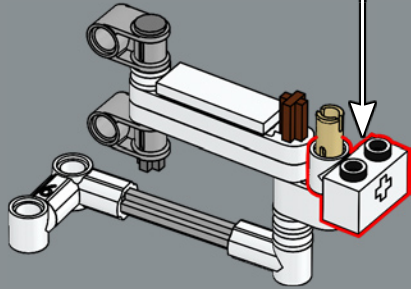
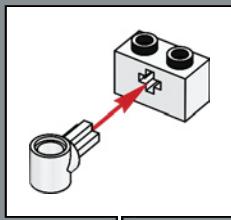


58

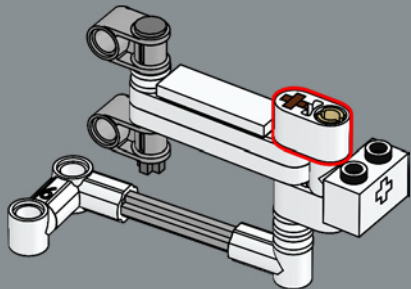




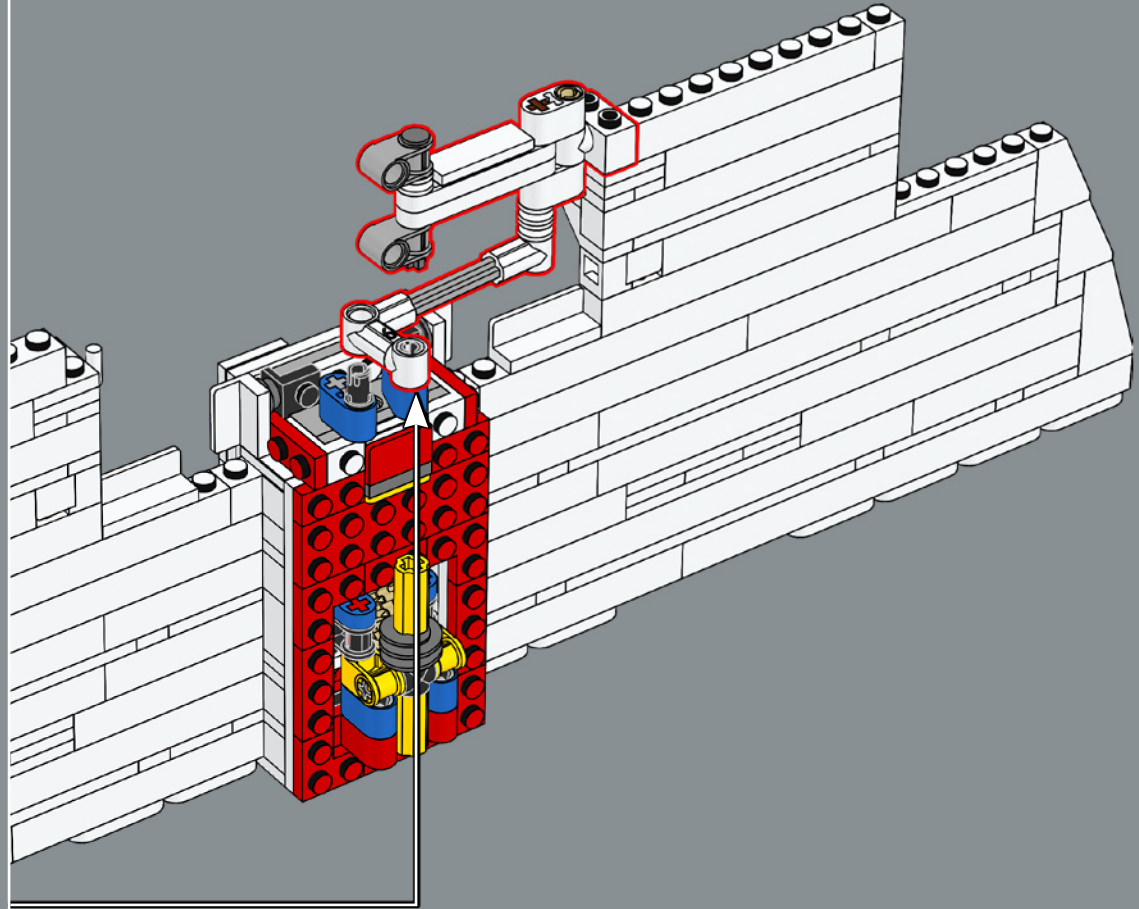
59

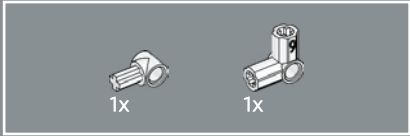
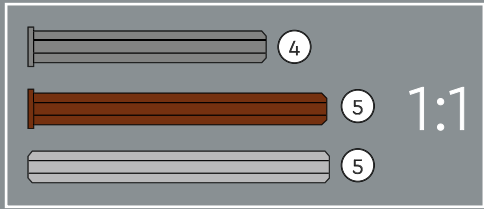
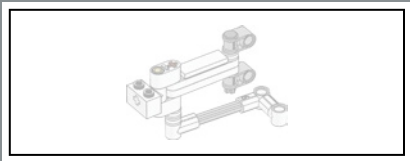


60

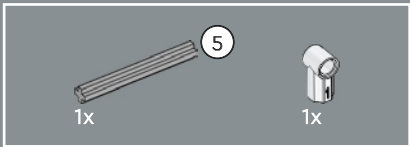
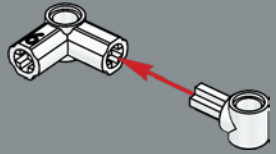


61

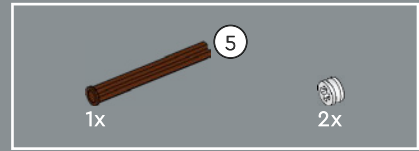
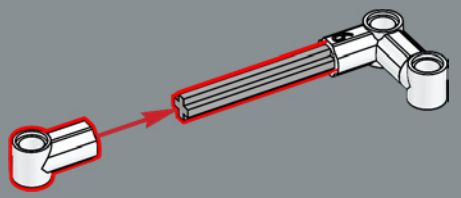




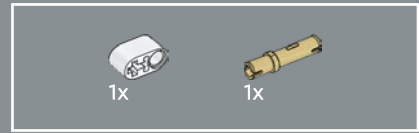
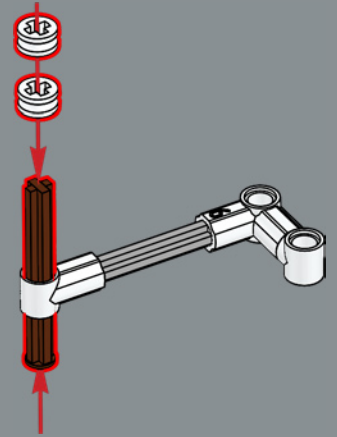
62



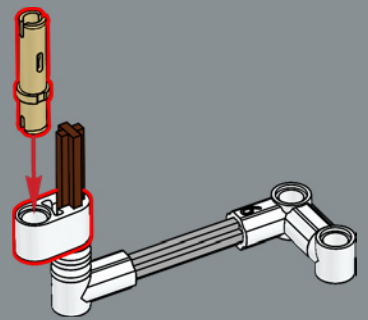
63

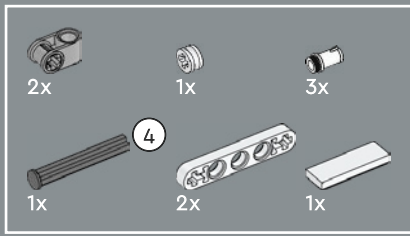


64

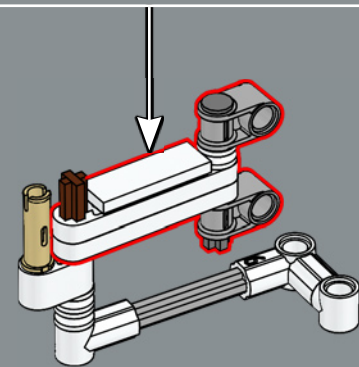
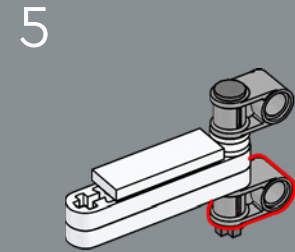
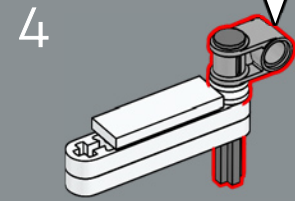
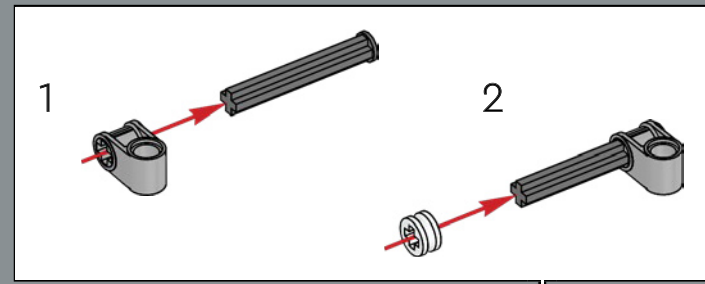
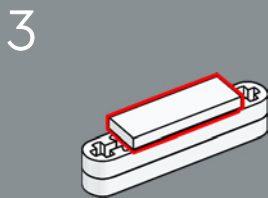
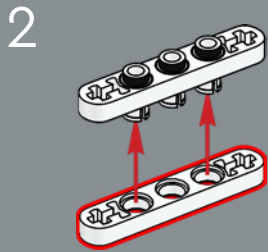
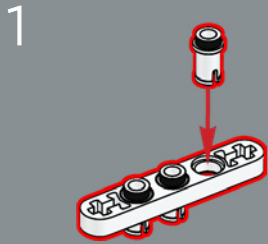


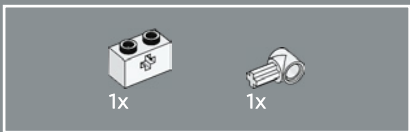
65



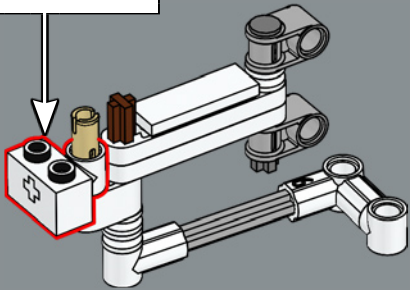
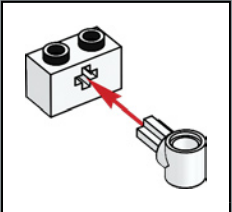


66

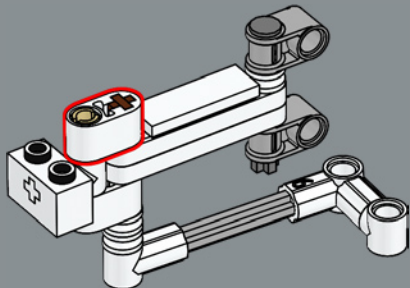




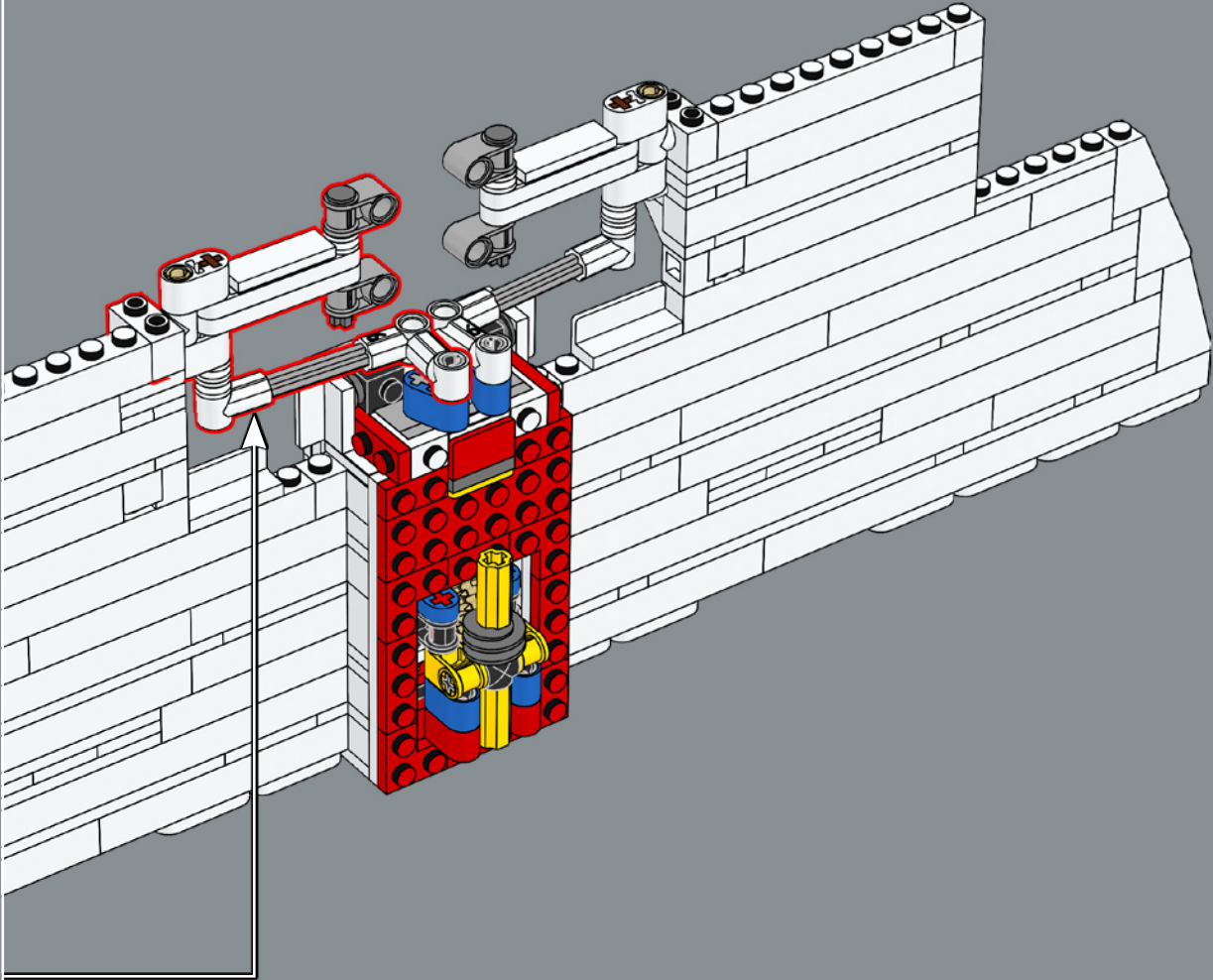
67



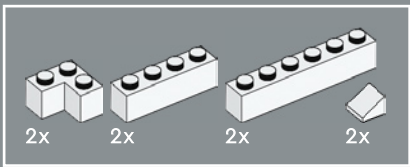
68



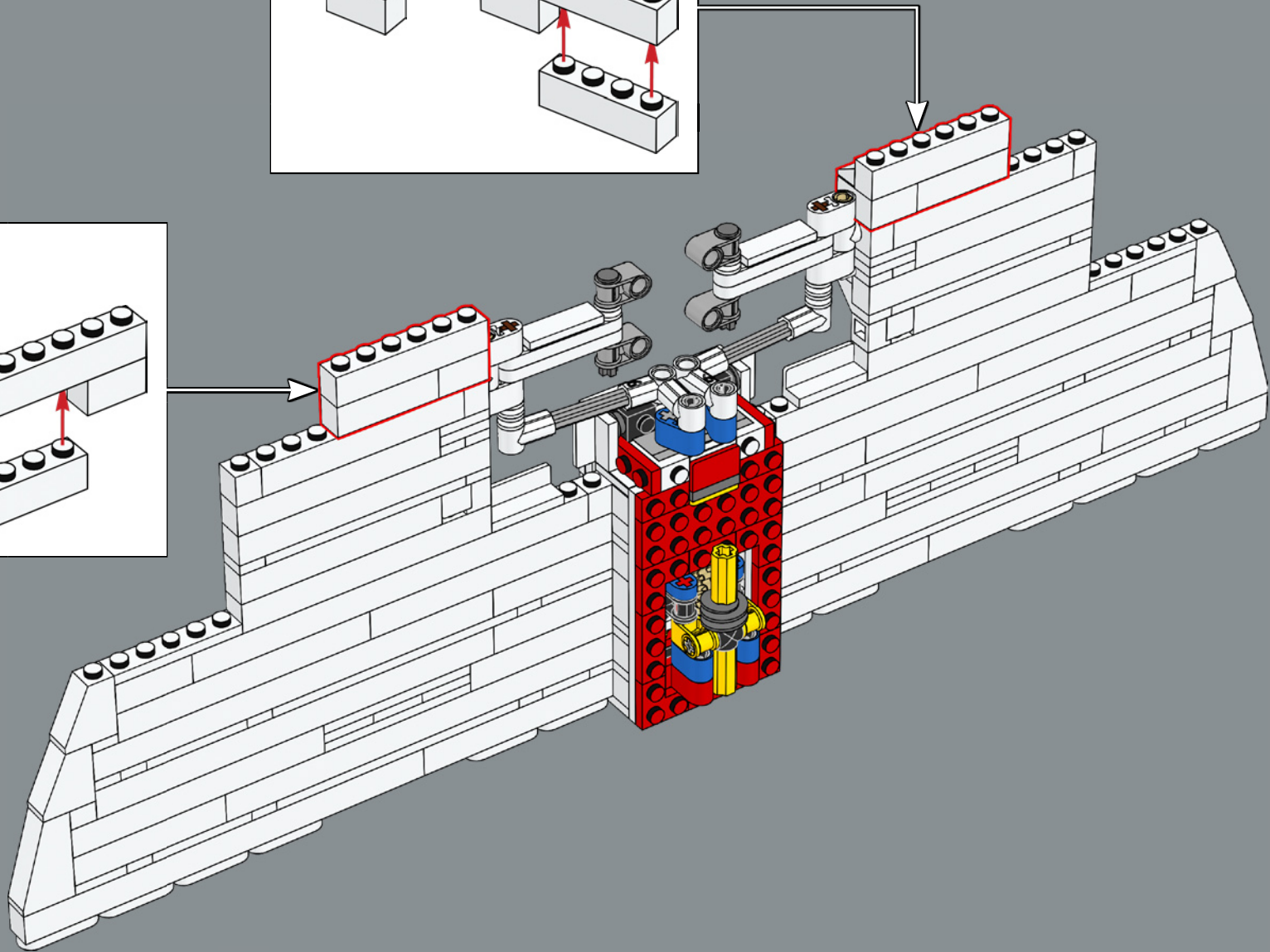
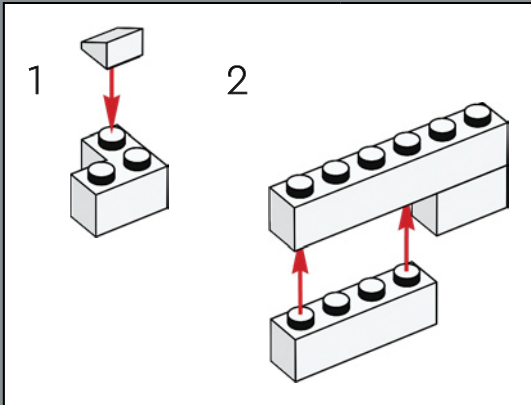
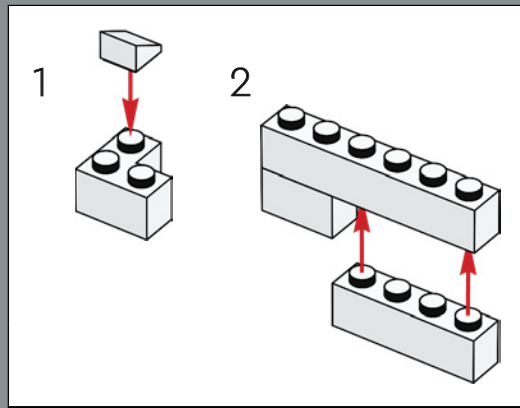
69

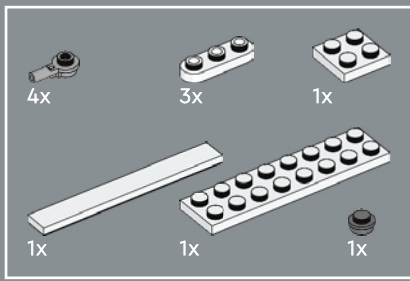




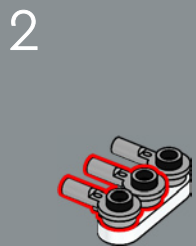
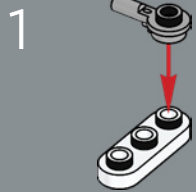


70

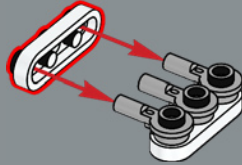




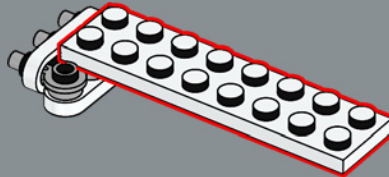
71



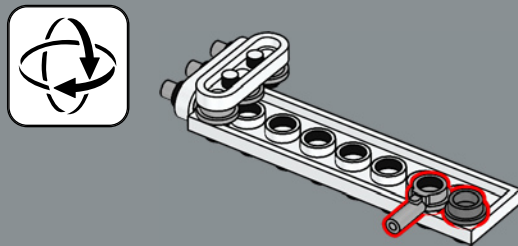
3



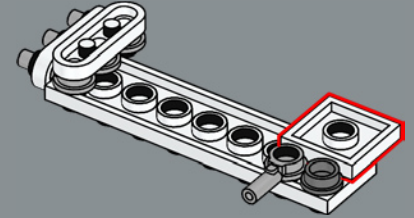
4



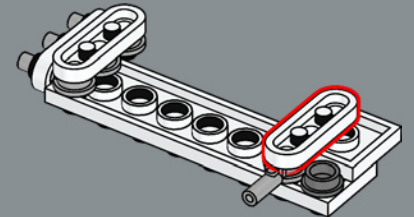
5



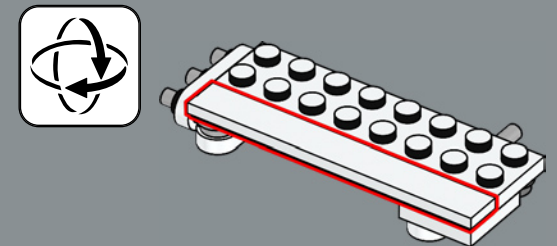
6

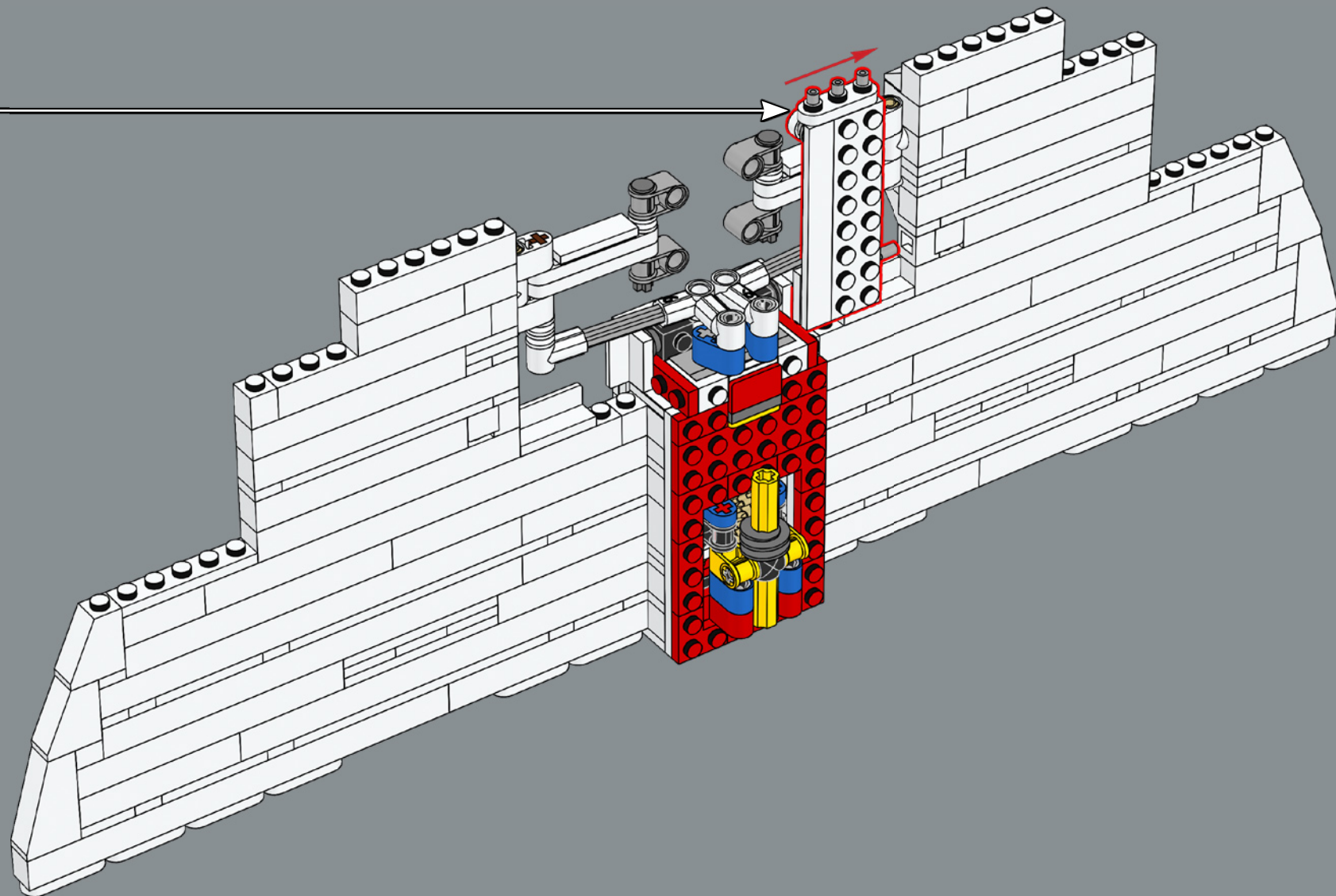


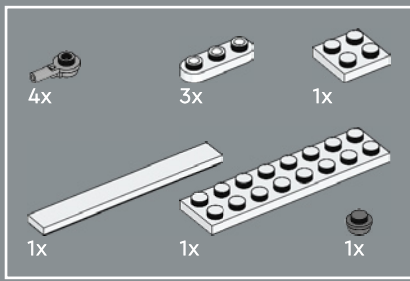
7



8

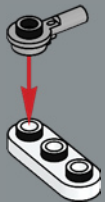






72

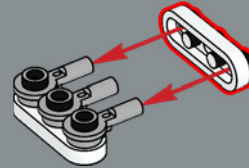
1



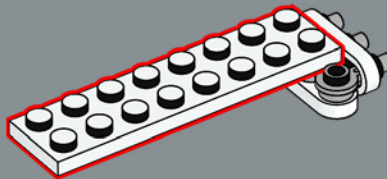
2



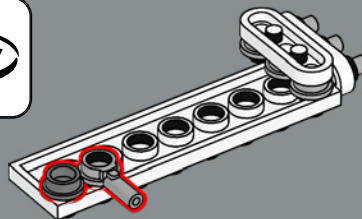
3



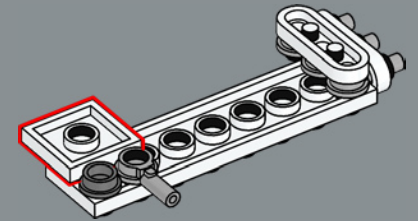
4



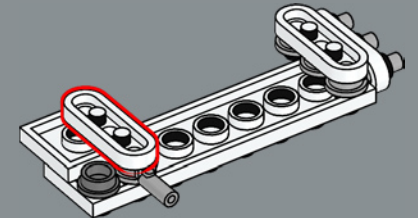
5



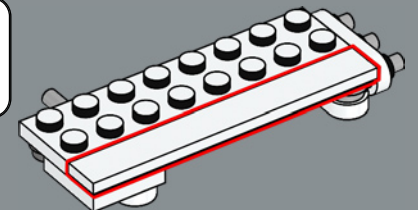
6



7

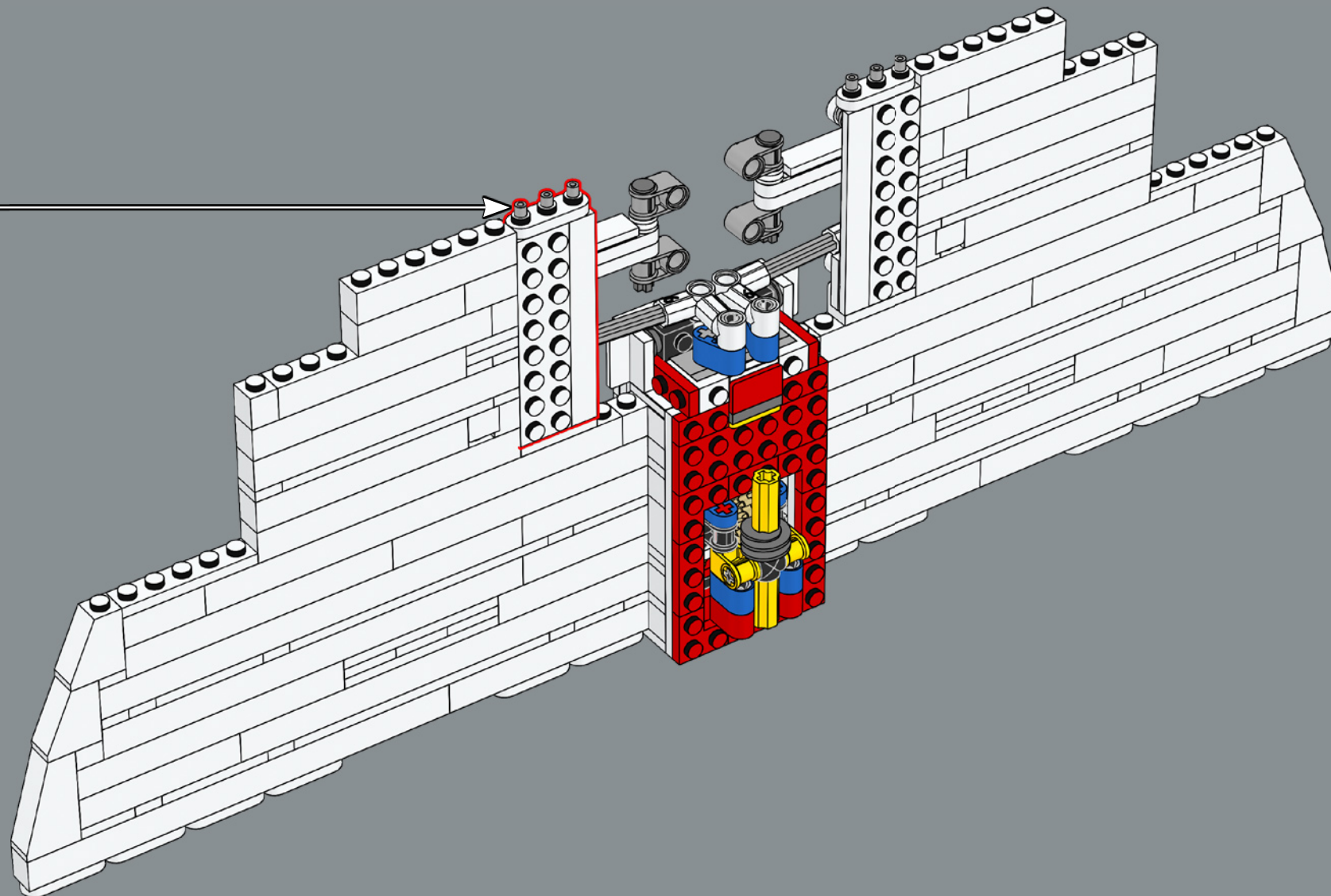


8



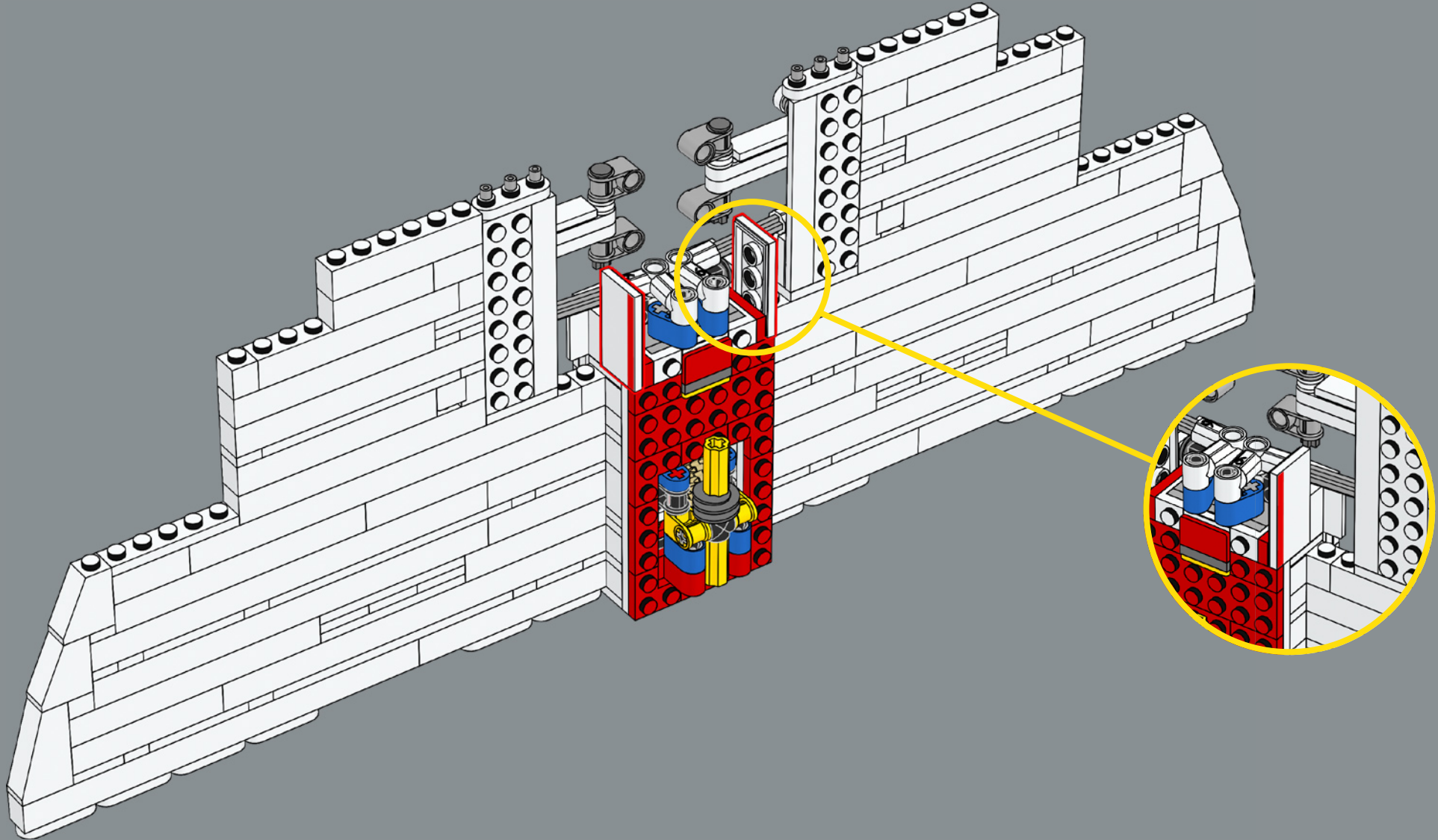


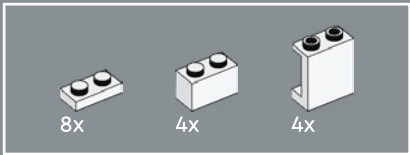
The aircraft required custom-made white paint in order to dissipate the heat generated by supersonic flight.



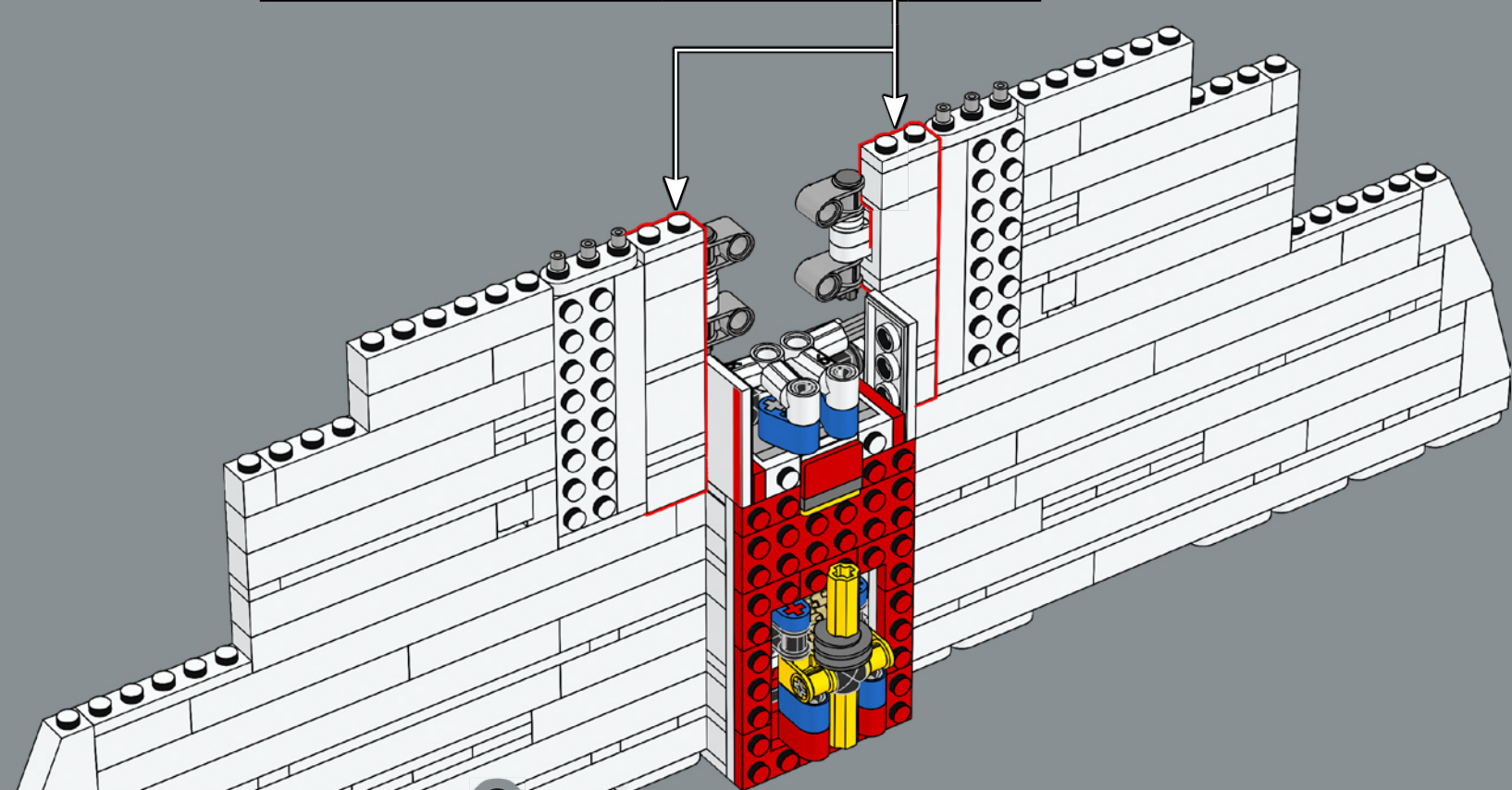
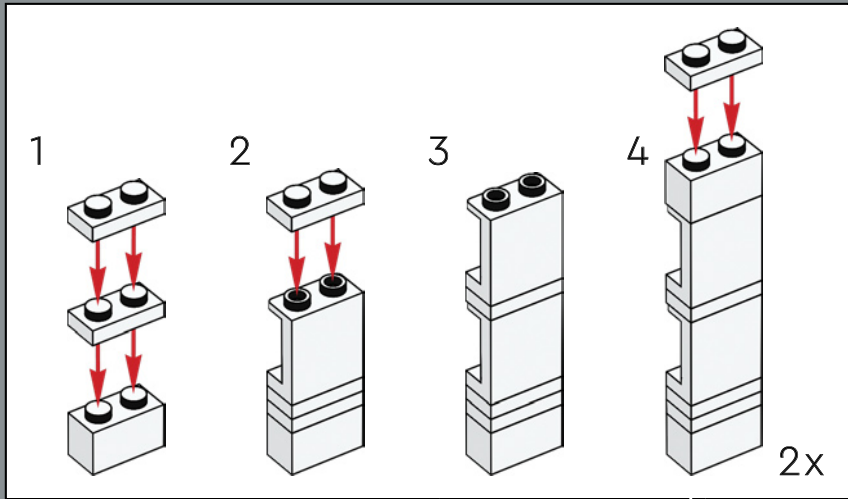


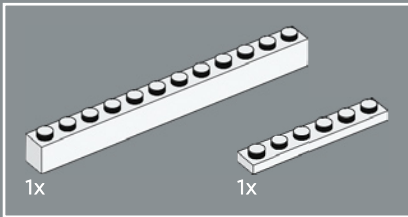
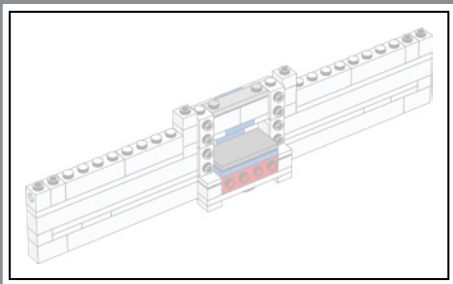
73



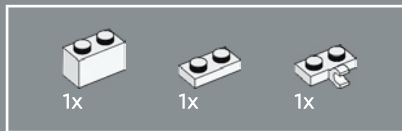
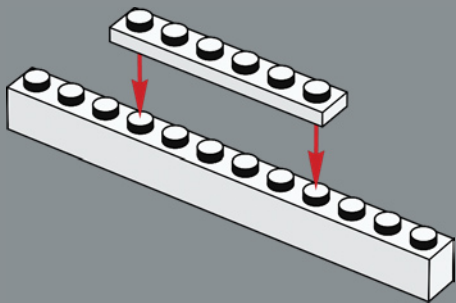


74

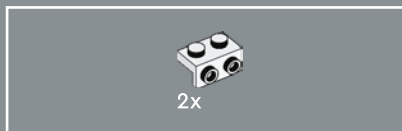
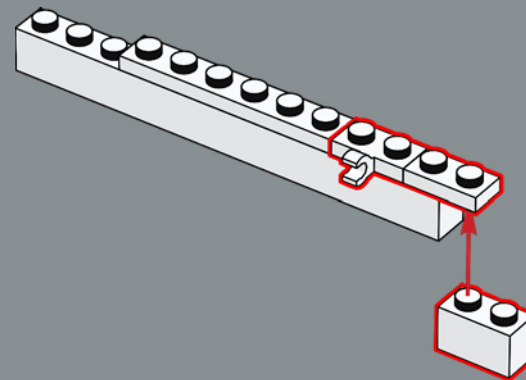




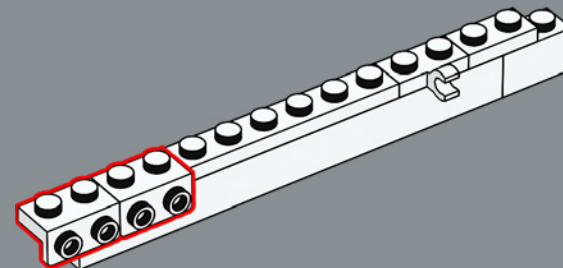
75

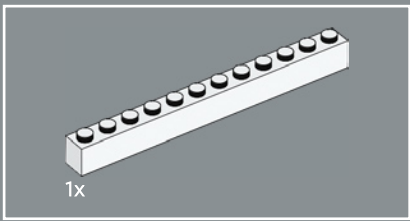


76

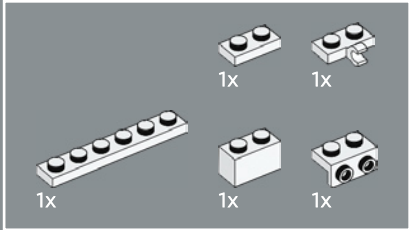
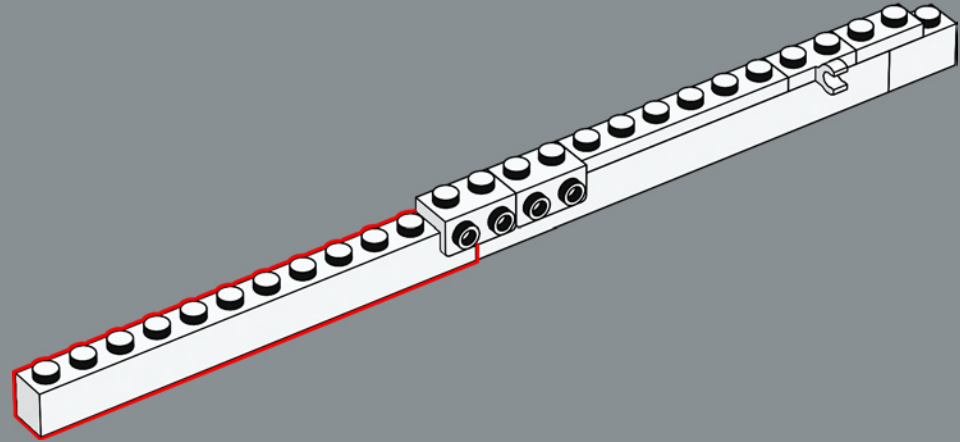


77

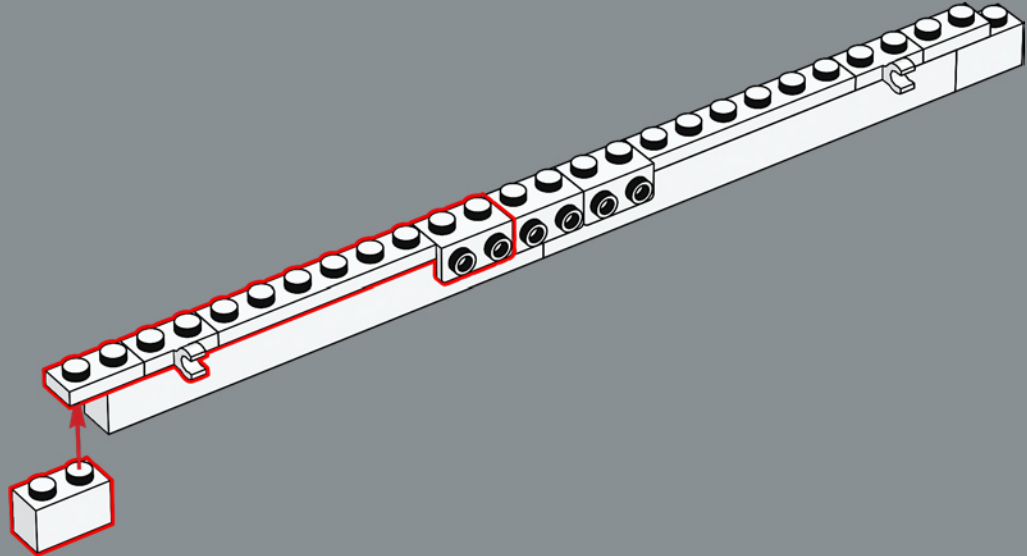


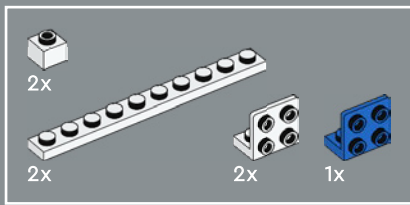


78

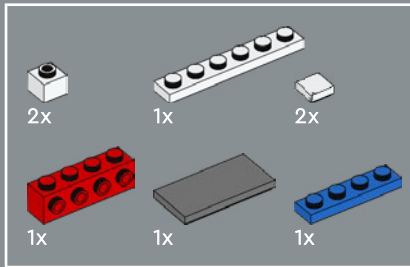
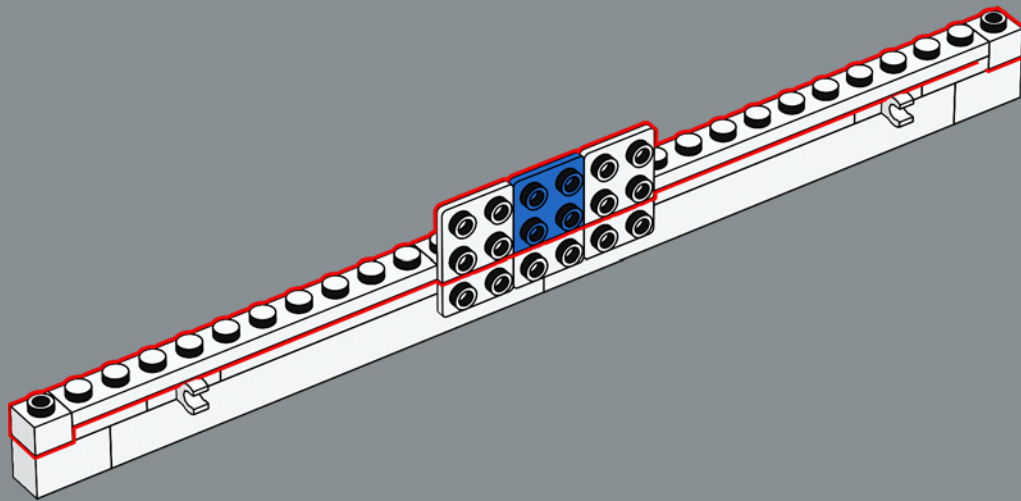


79

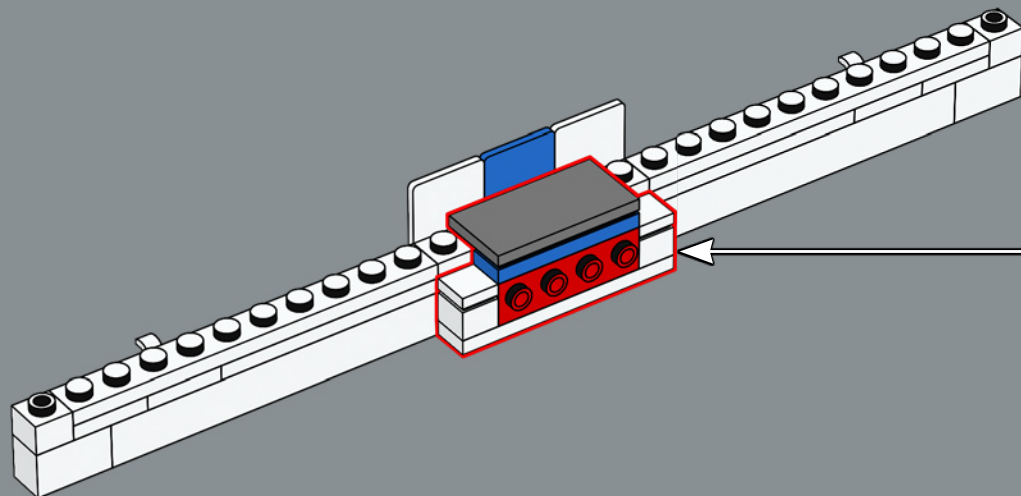
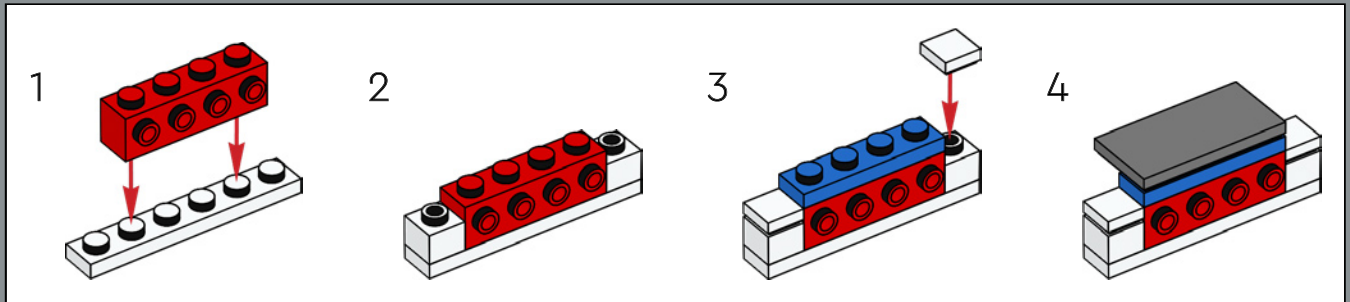


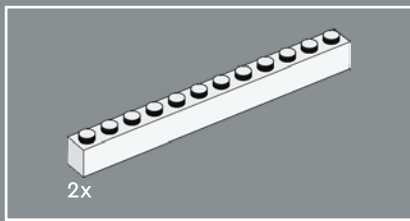


80

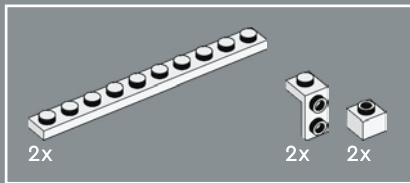
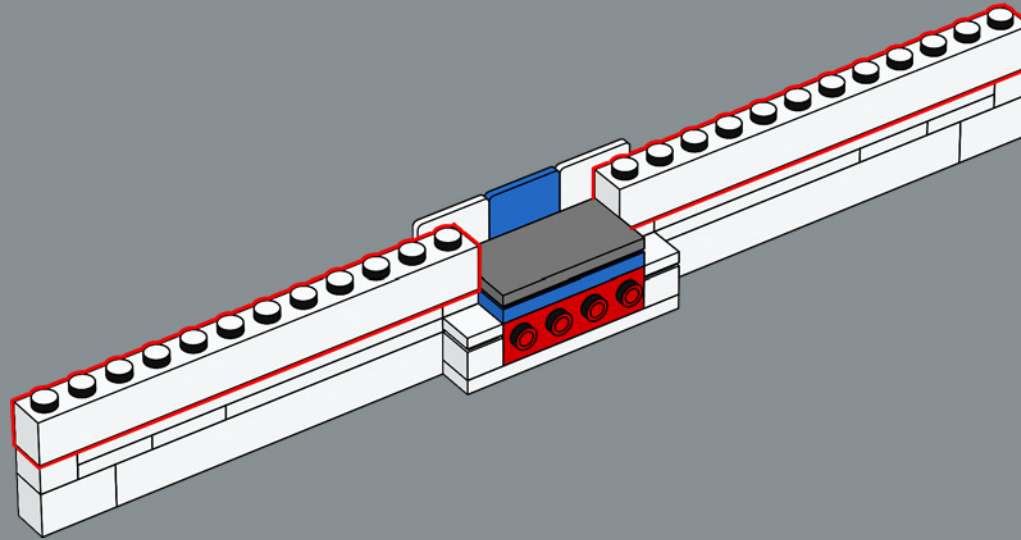


81

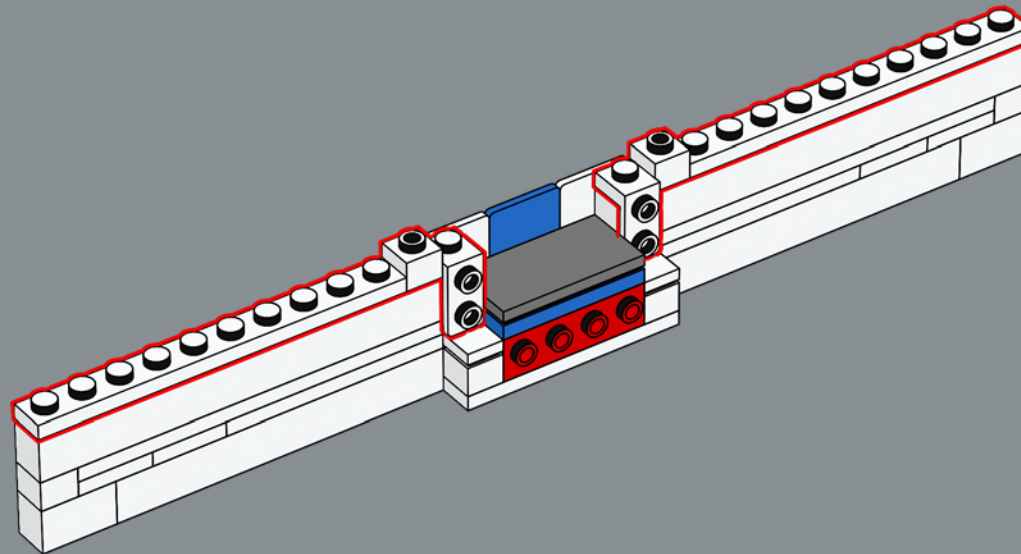


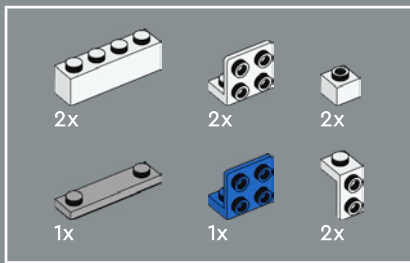


82

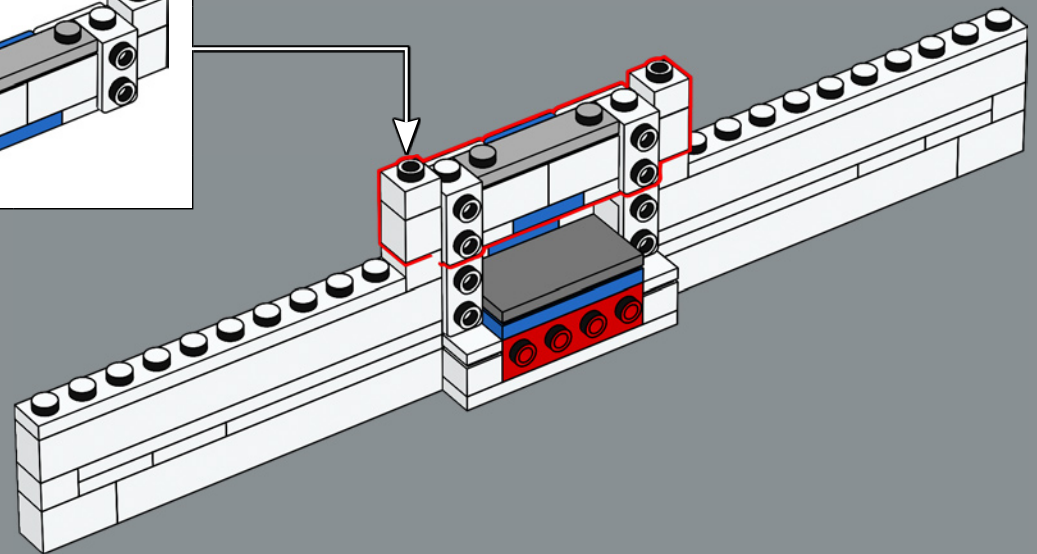
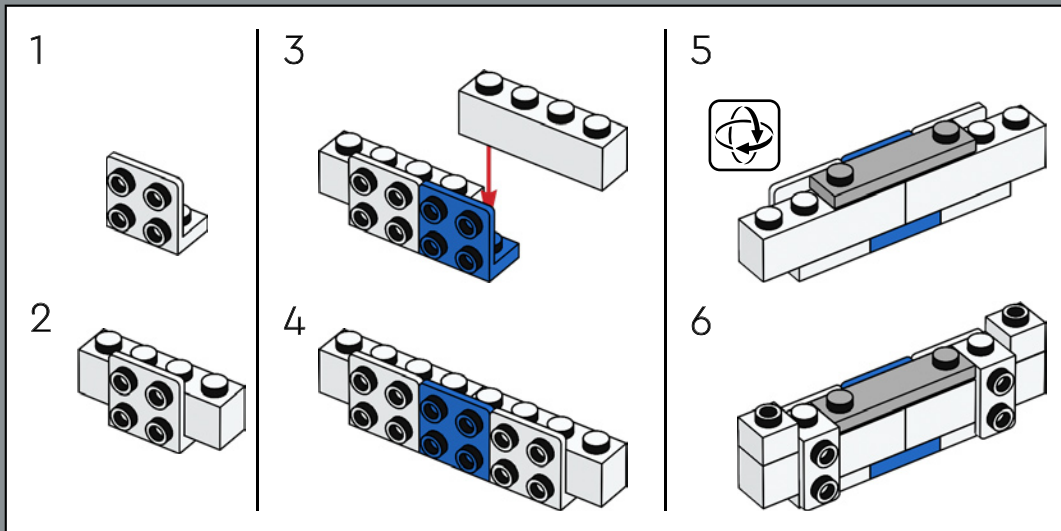


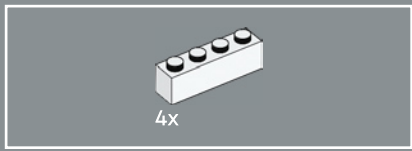
83



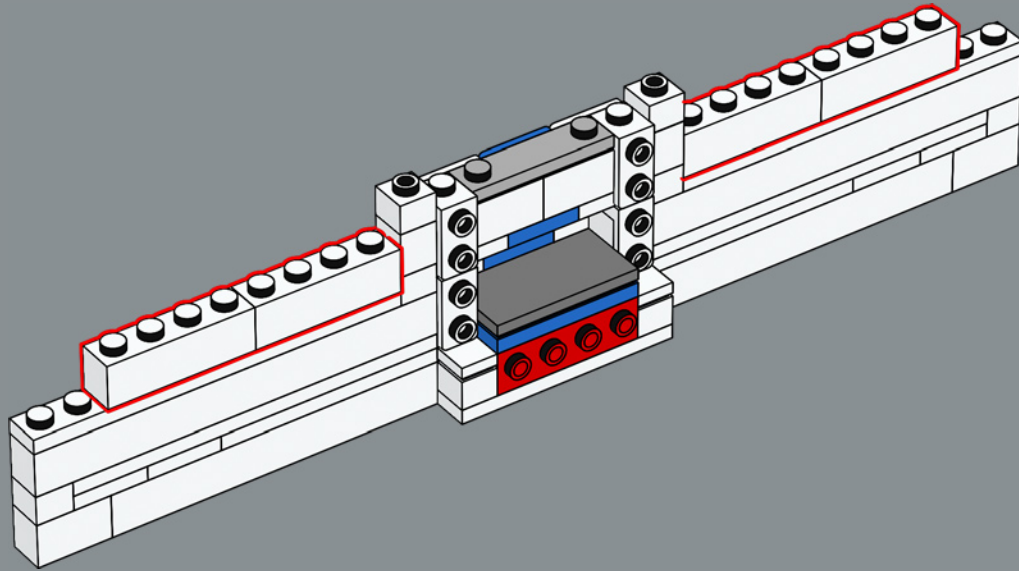


84

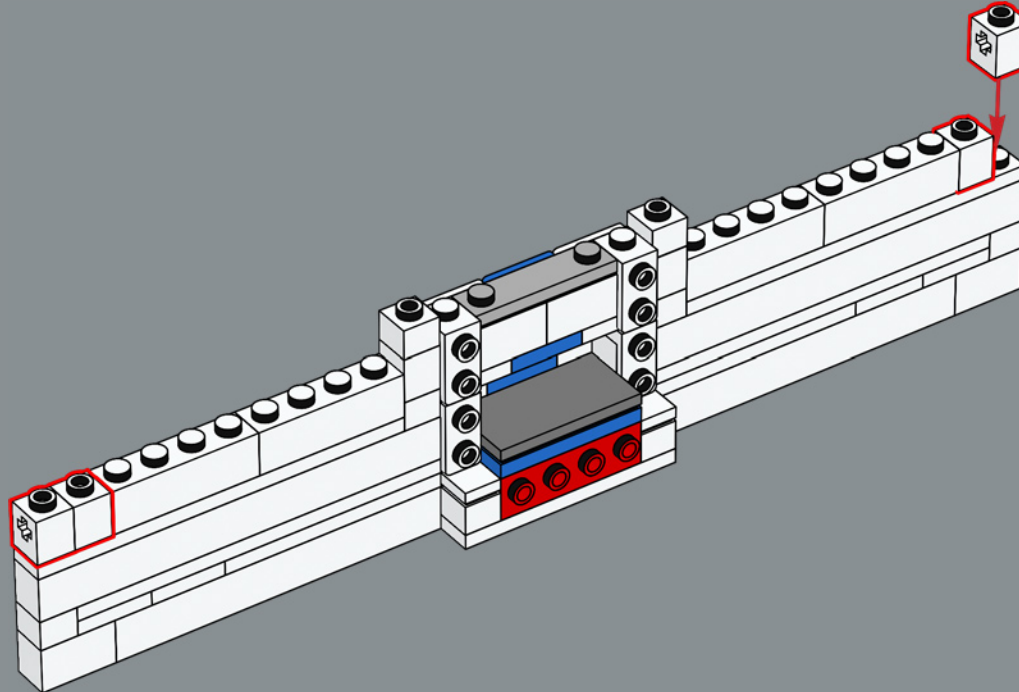


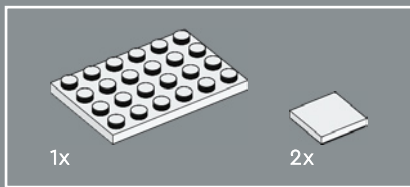


85

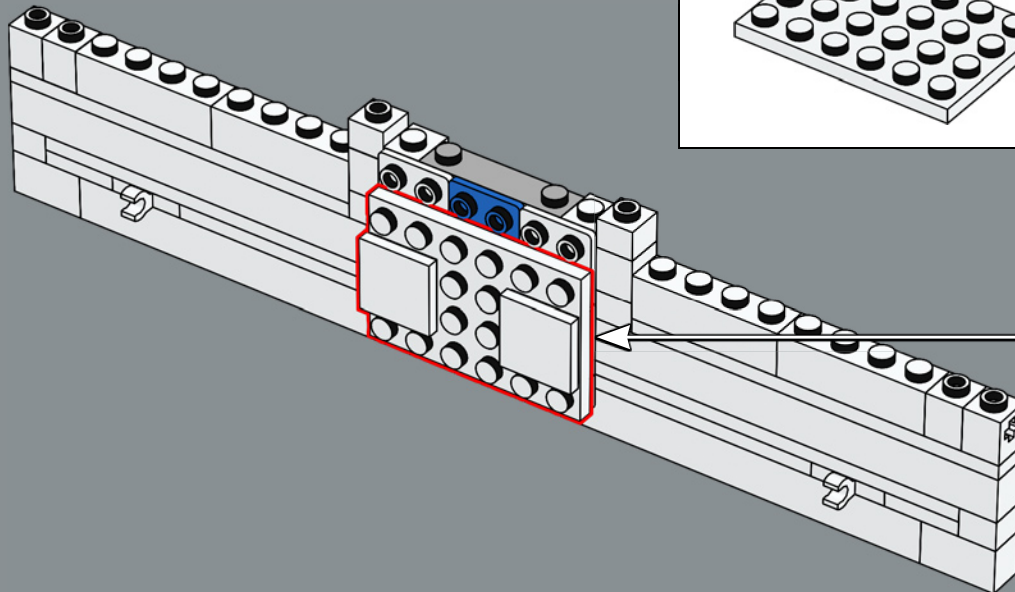


86

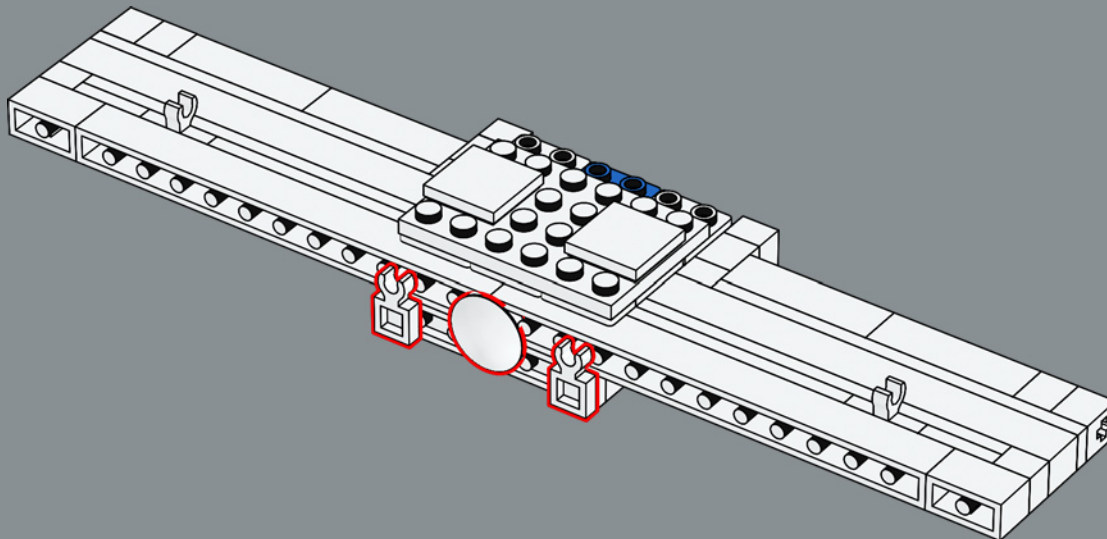




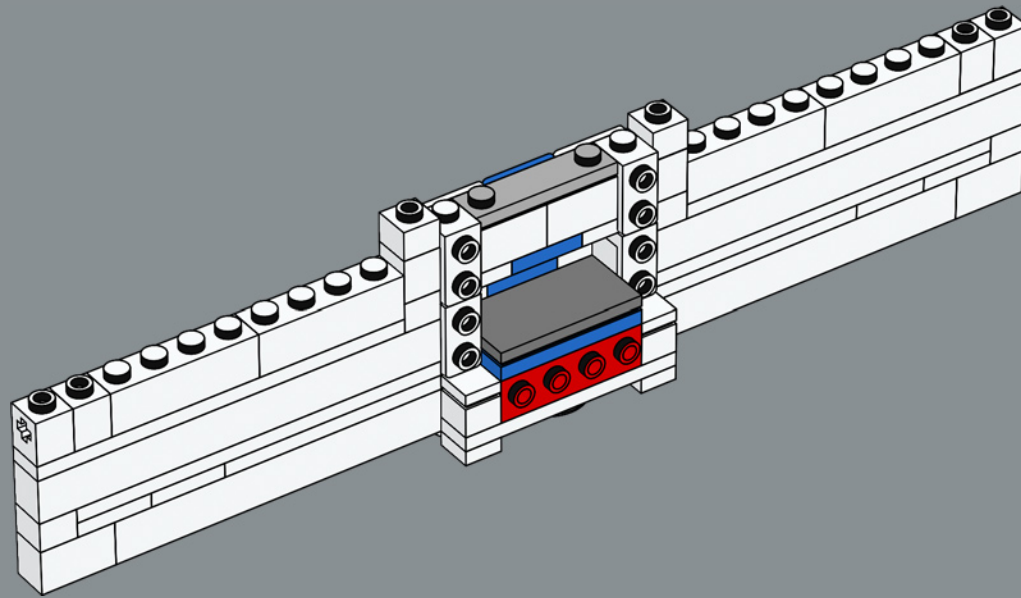
87



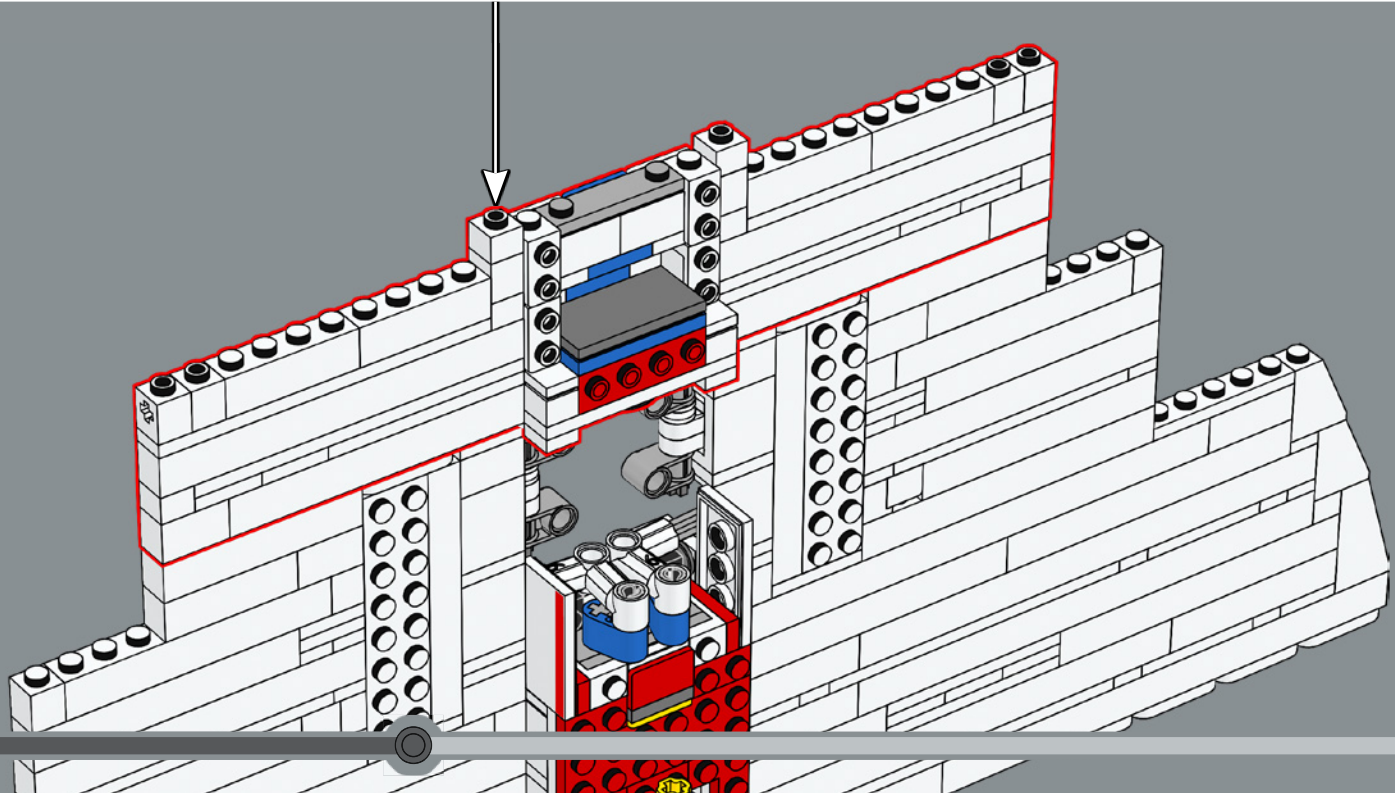
88



89

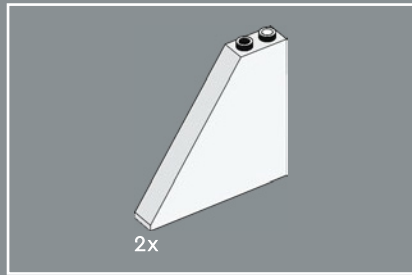


90

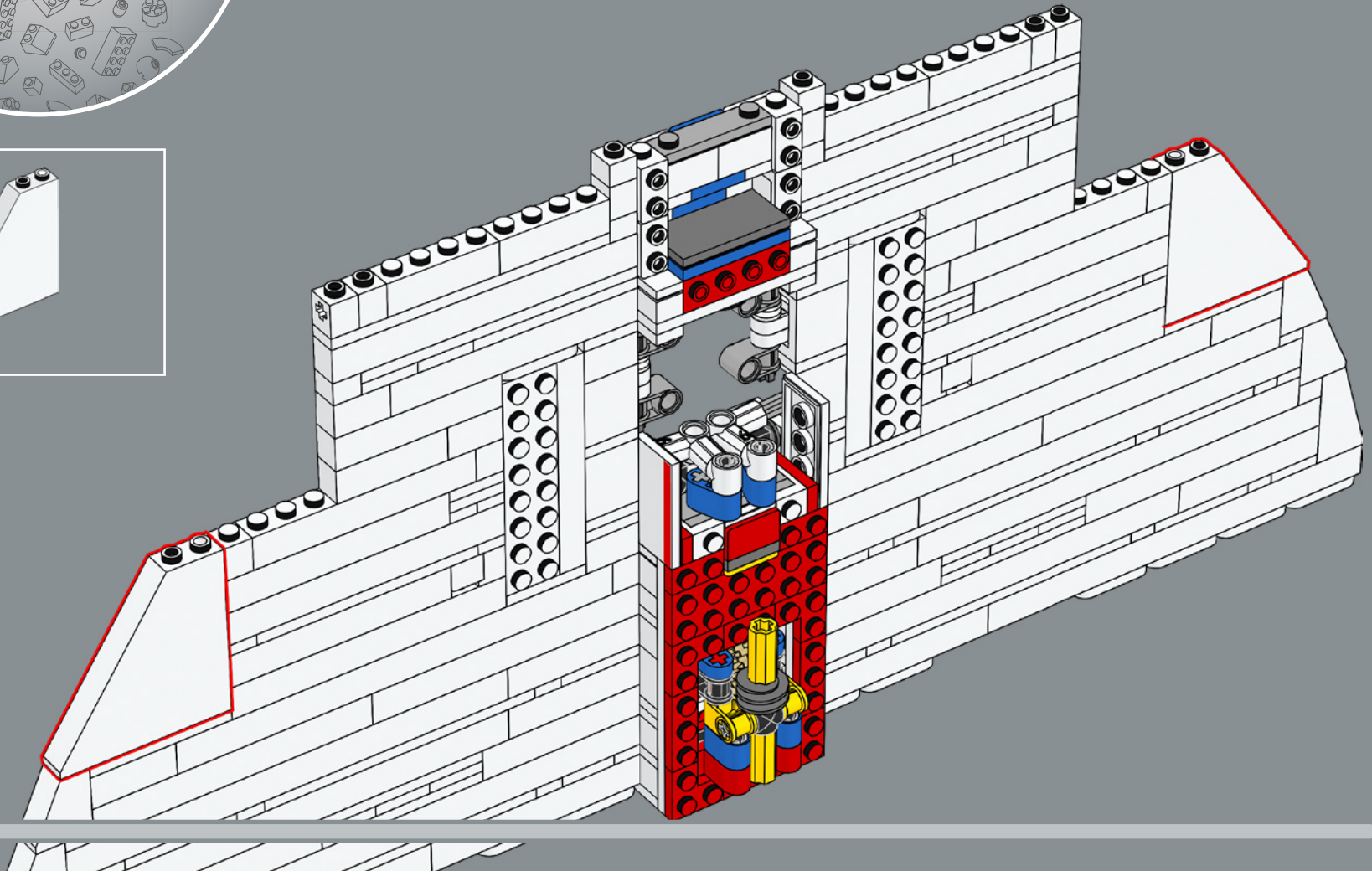


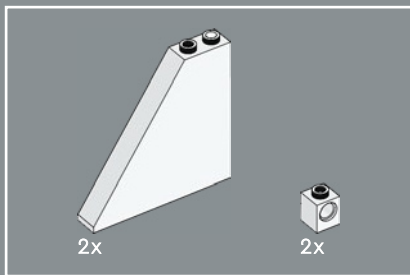


The classic Concorde silhouette comes from a very real technical problem, the balance between minimising drag and generating lift on a supersonic wing. The solution: Concorde's ogival delta wing, a modification of the delta wing design to increase efficiency at lower speeds.

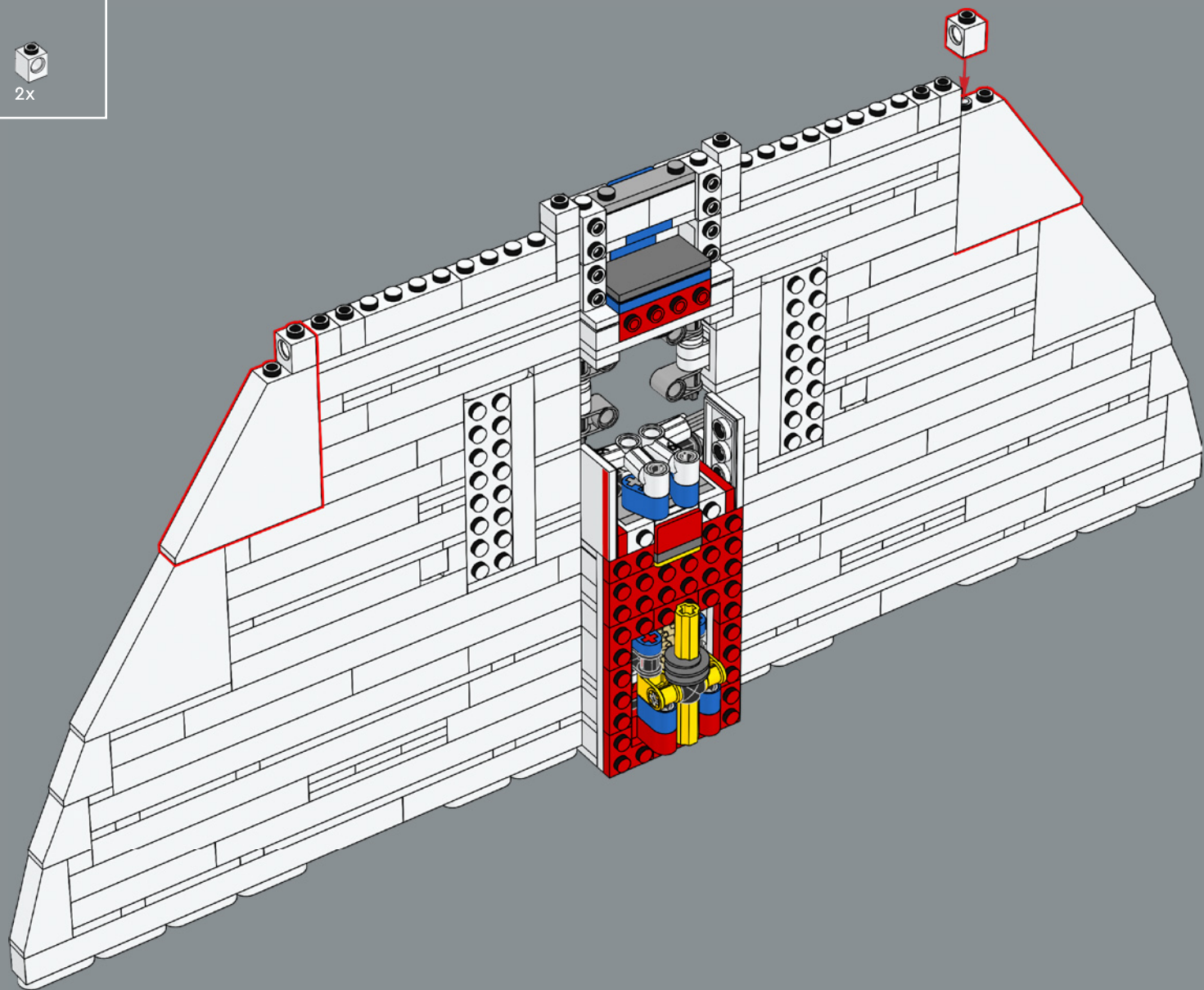


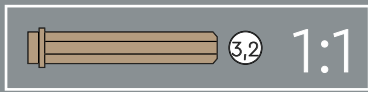
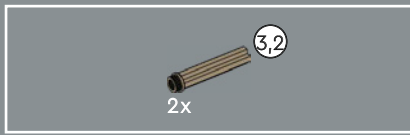
91



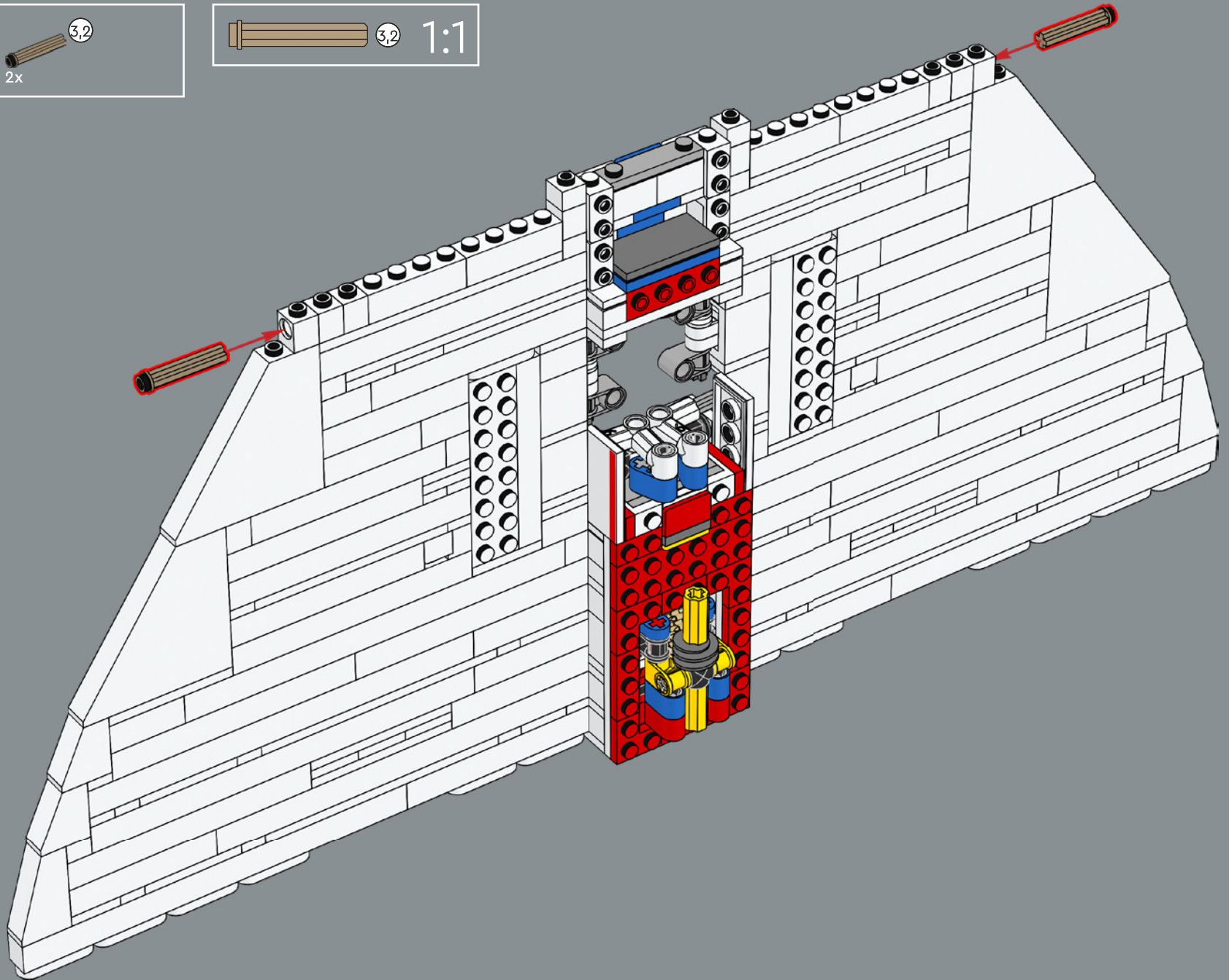


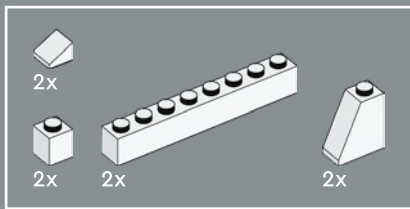
92



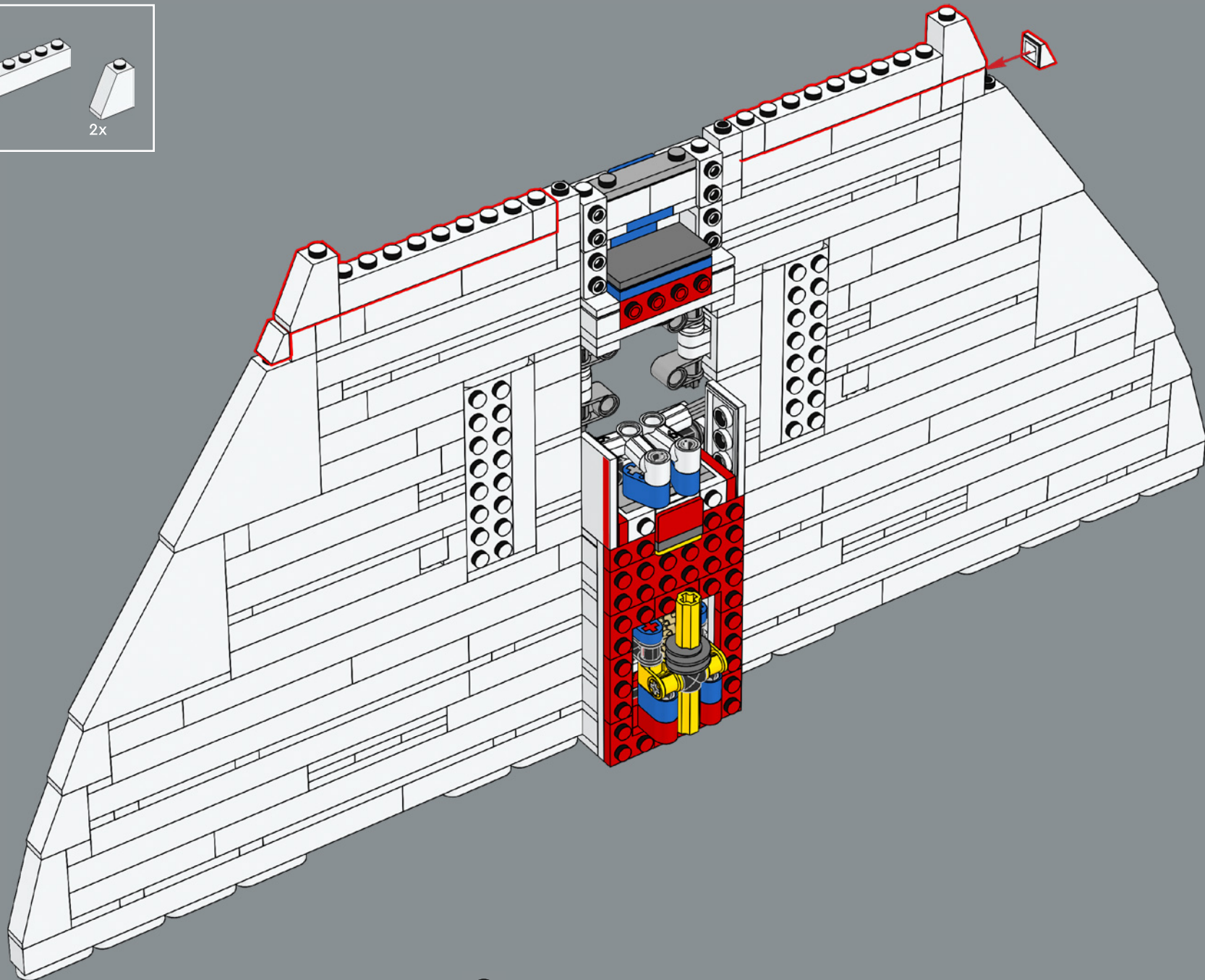


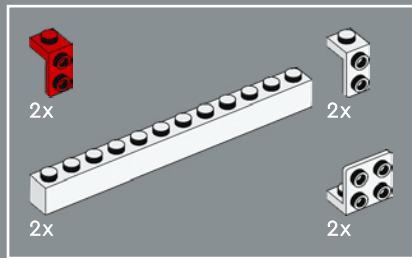
93



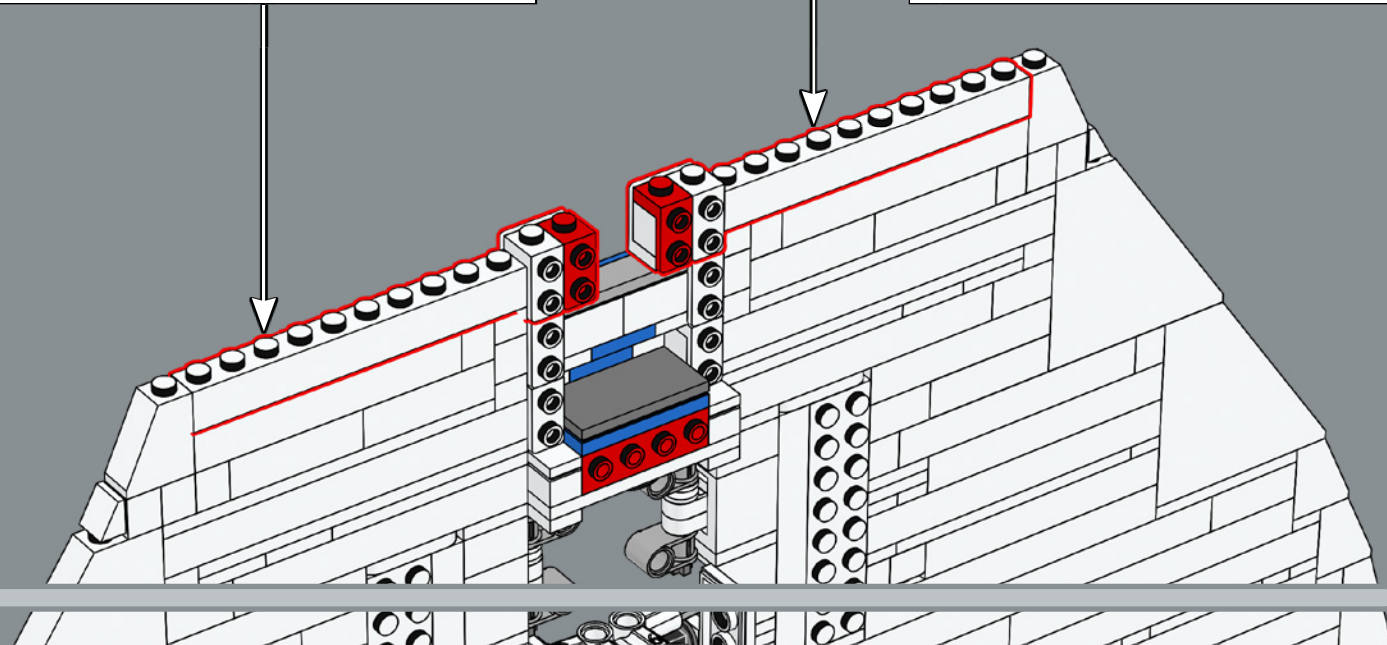
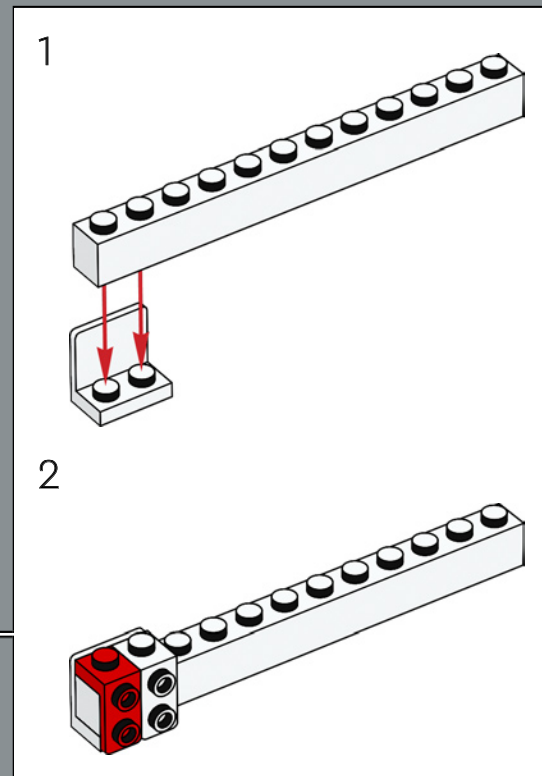
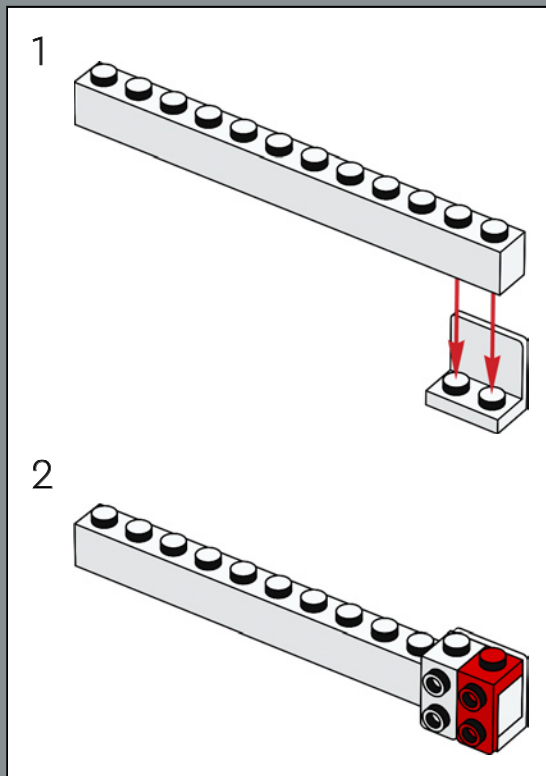


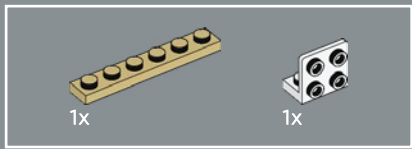
94



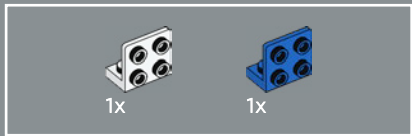
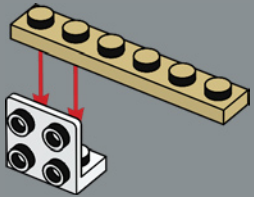


95

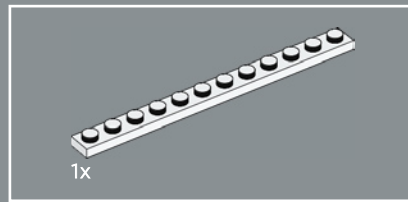
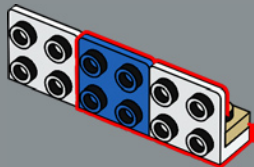




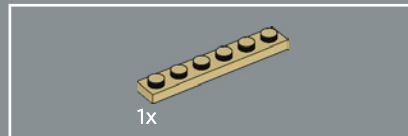
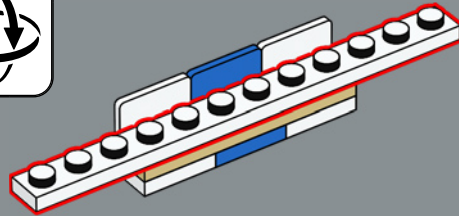
96



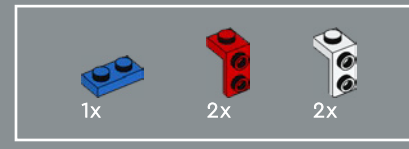
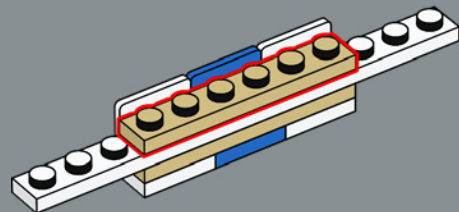
97



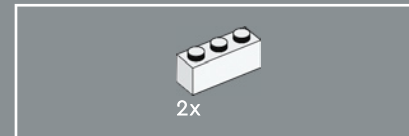
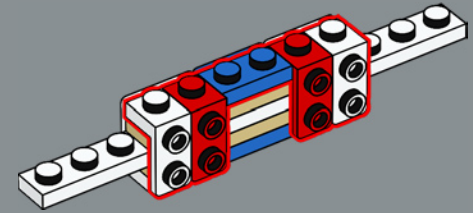
98



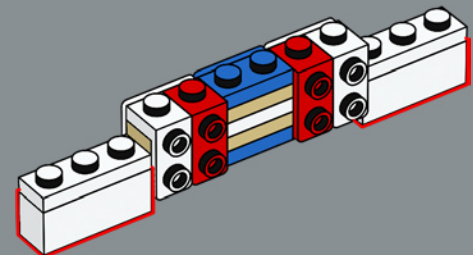
99

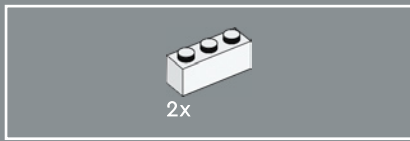


100

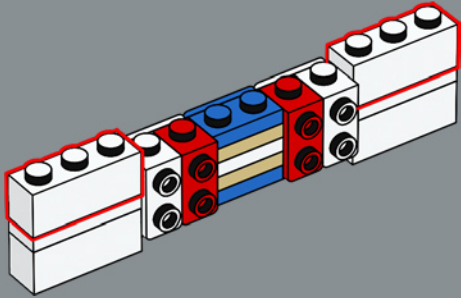


101

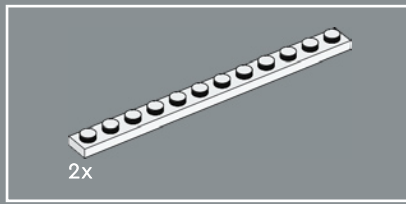
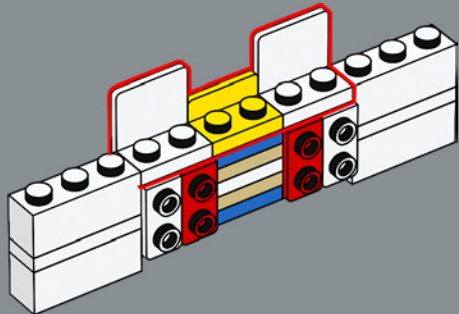




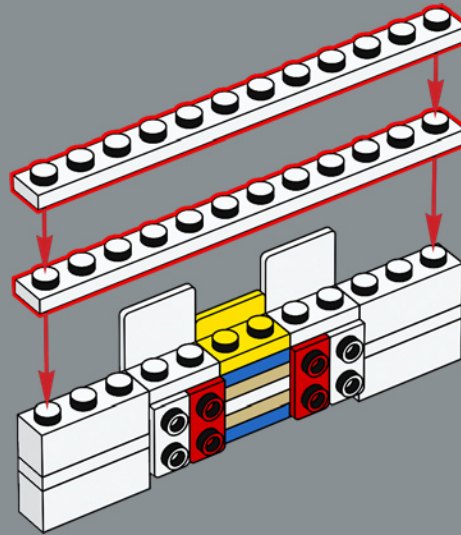
102



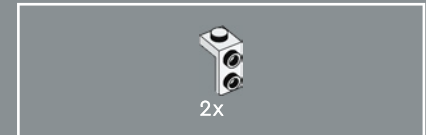
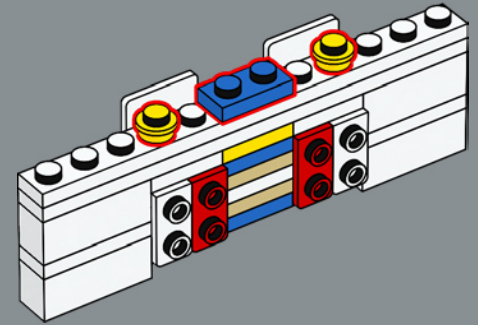
103



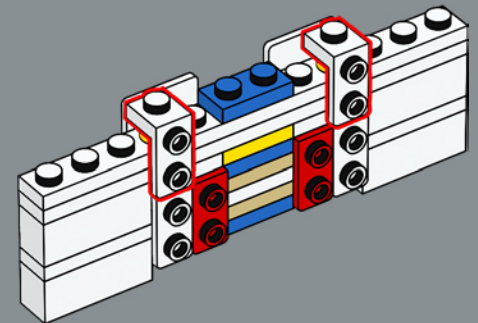
104



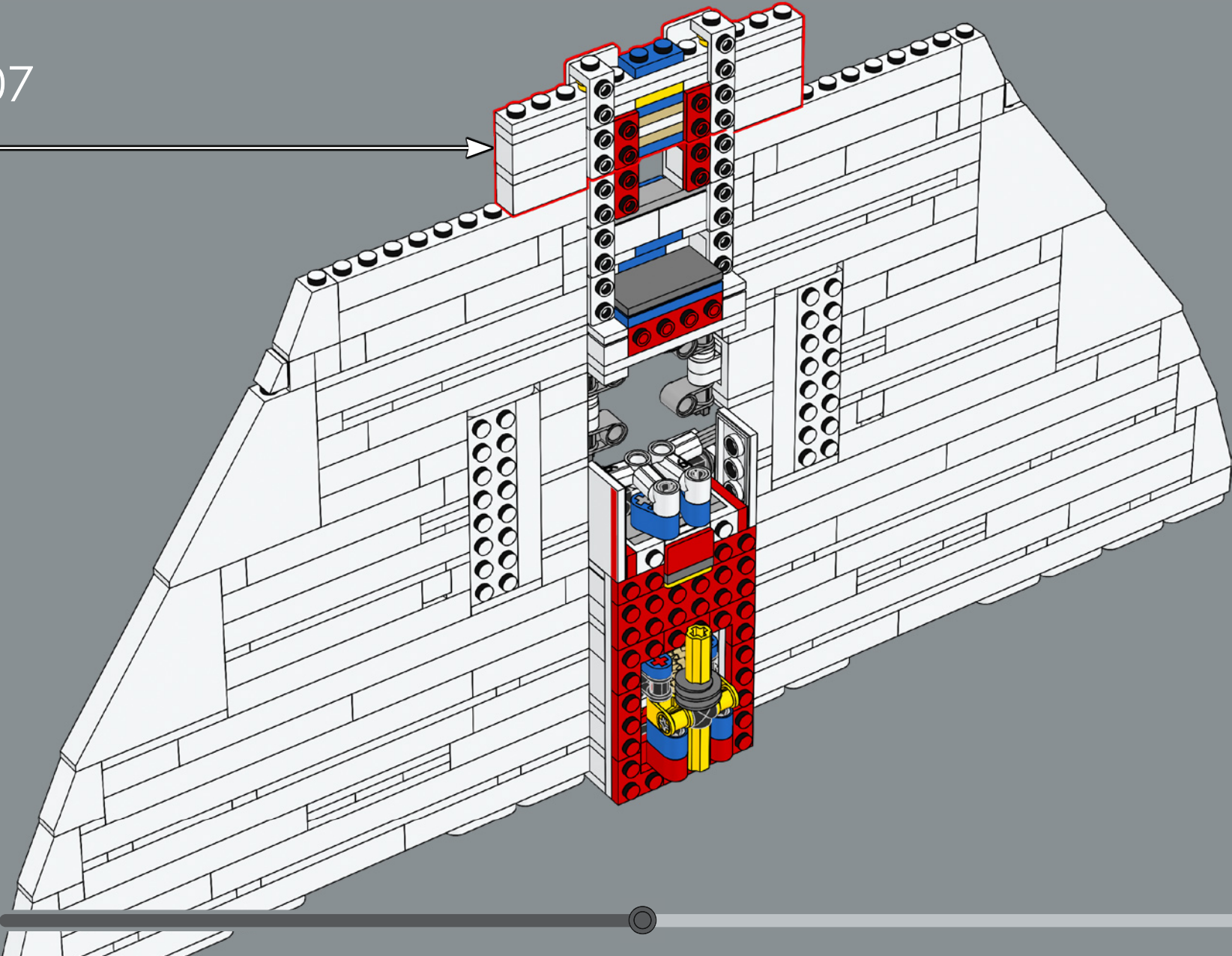
105

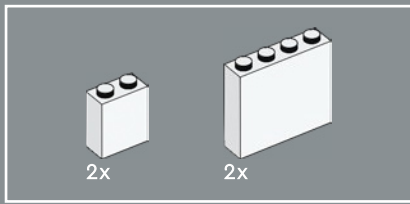


106

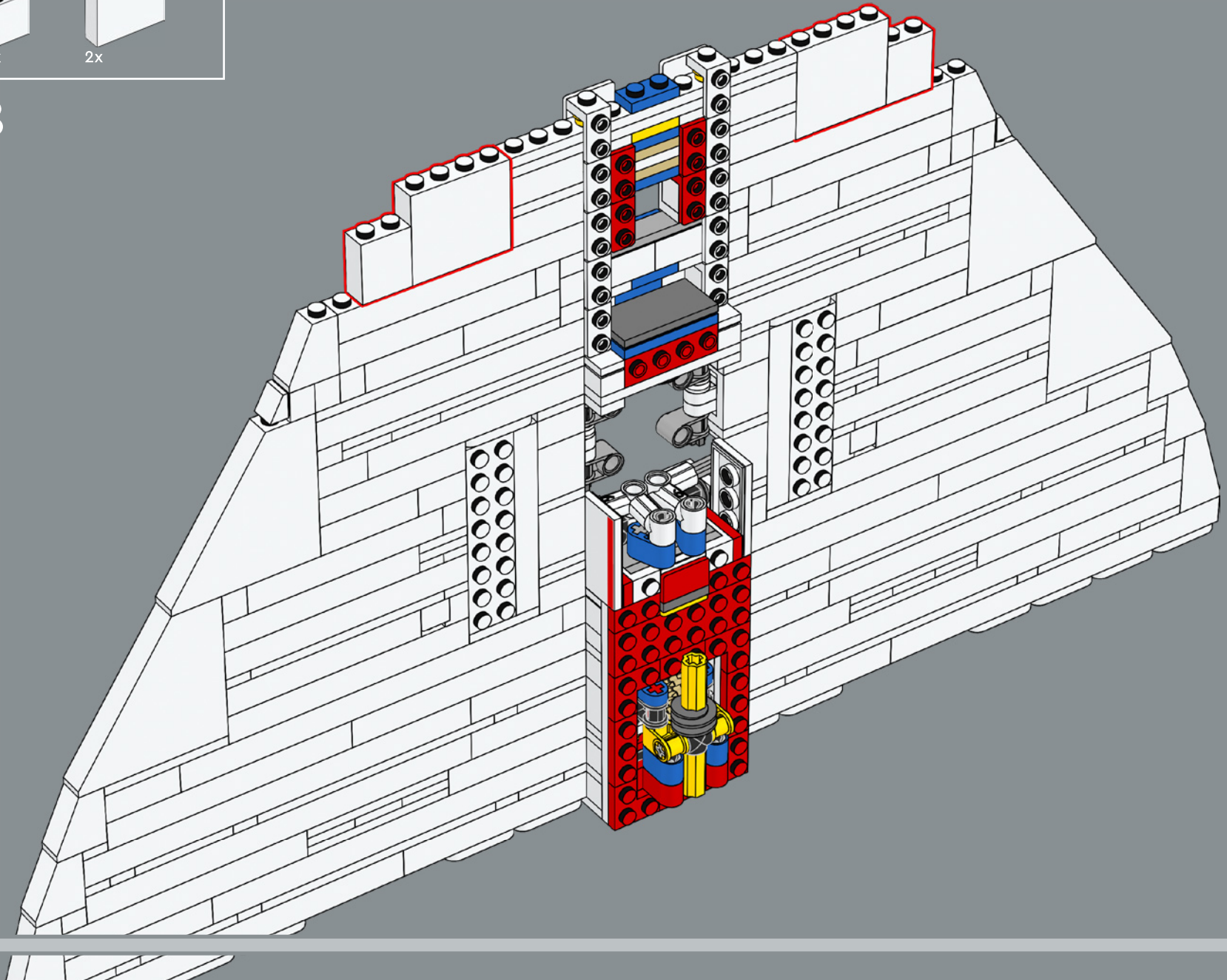


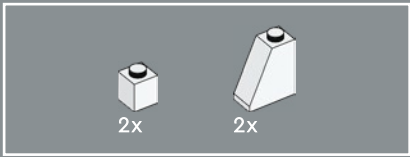
107



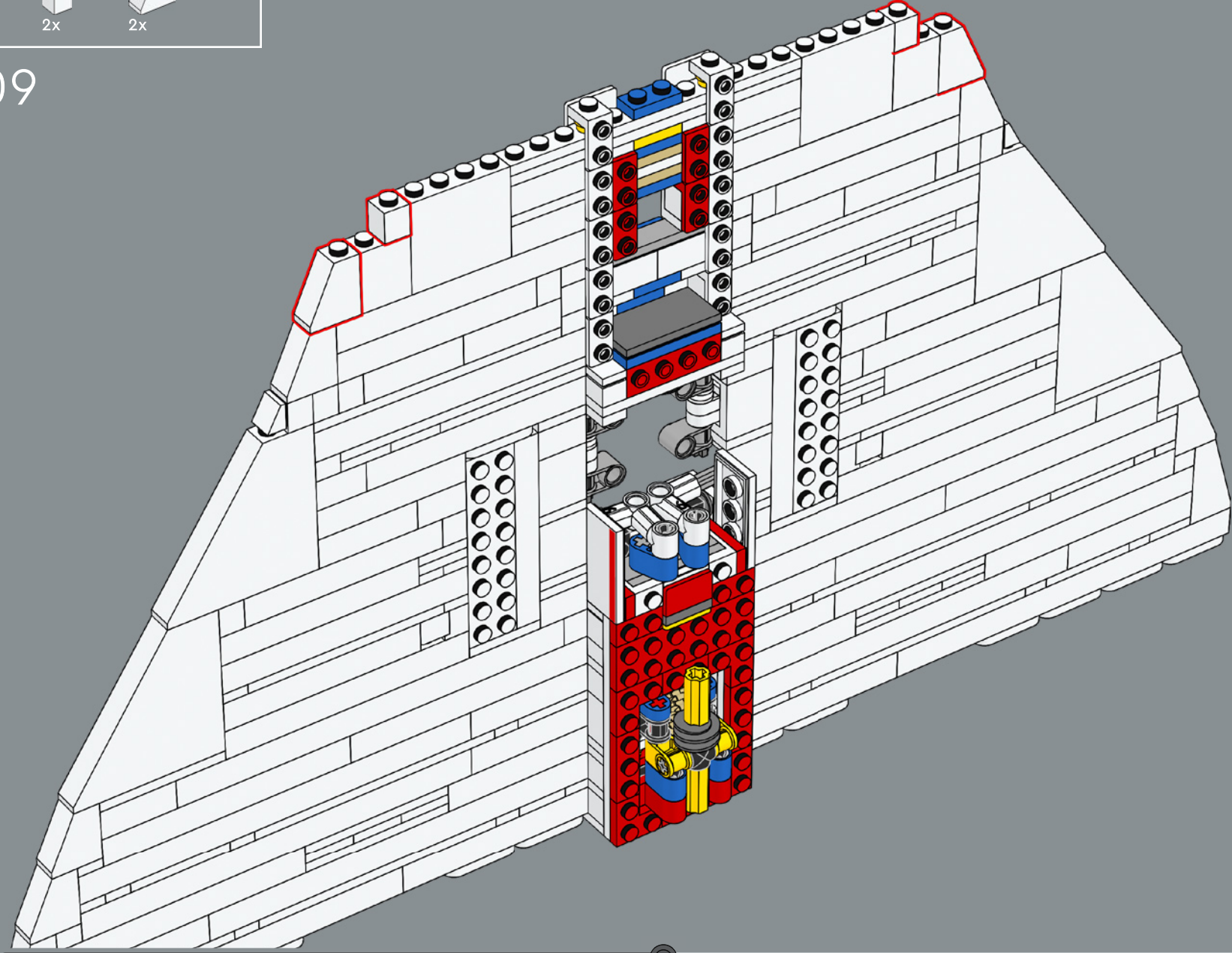


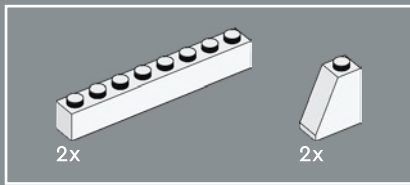
108



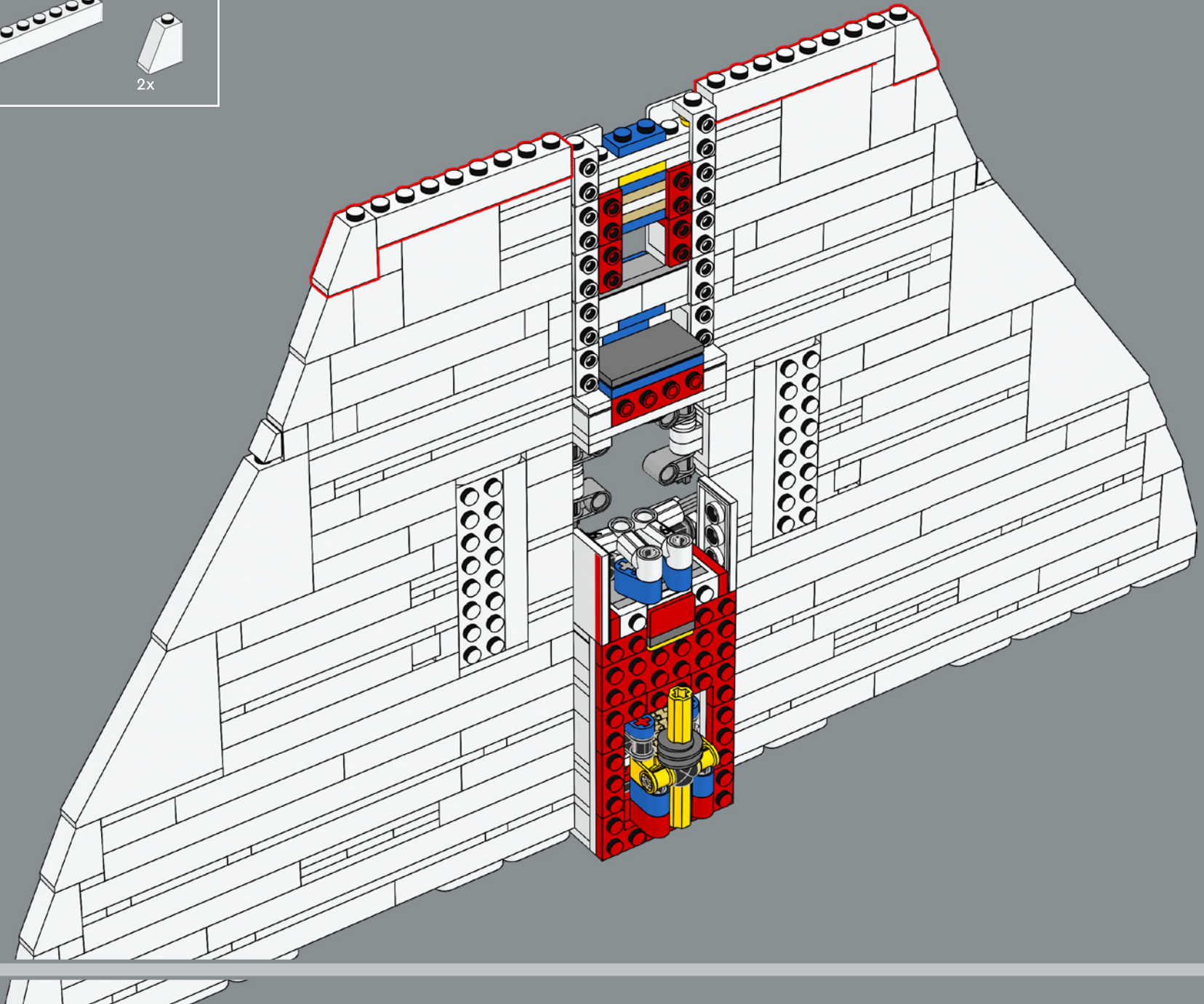


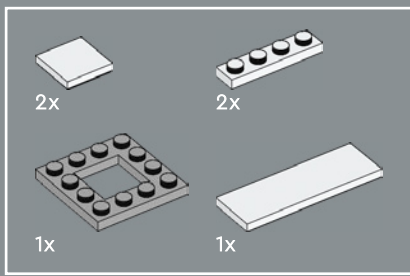
109



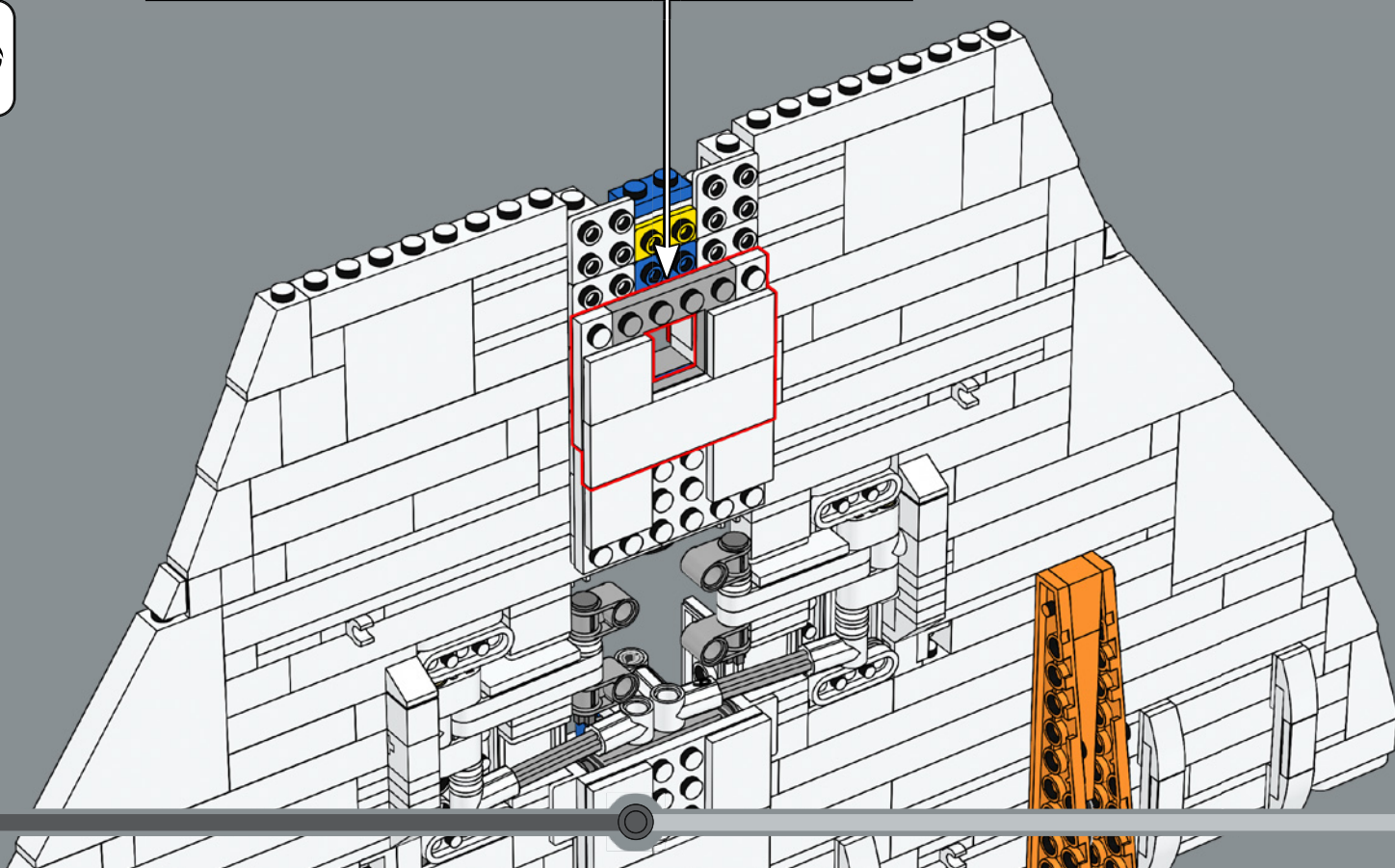
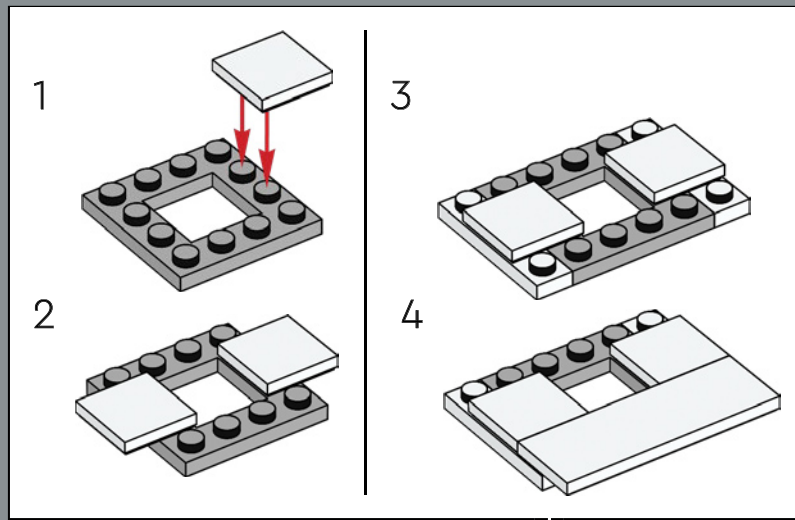


110



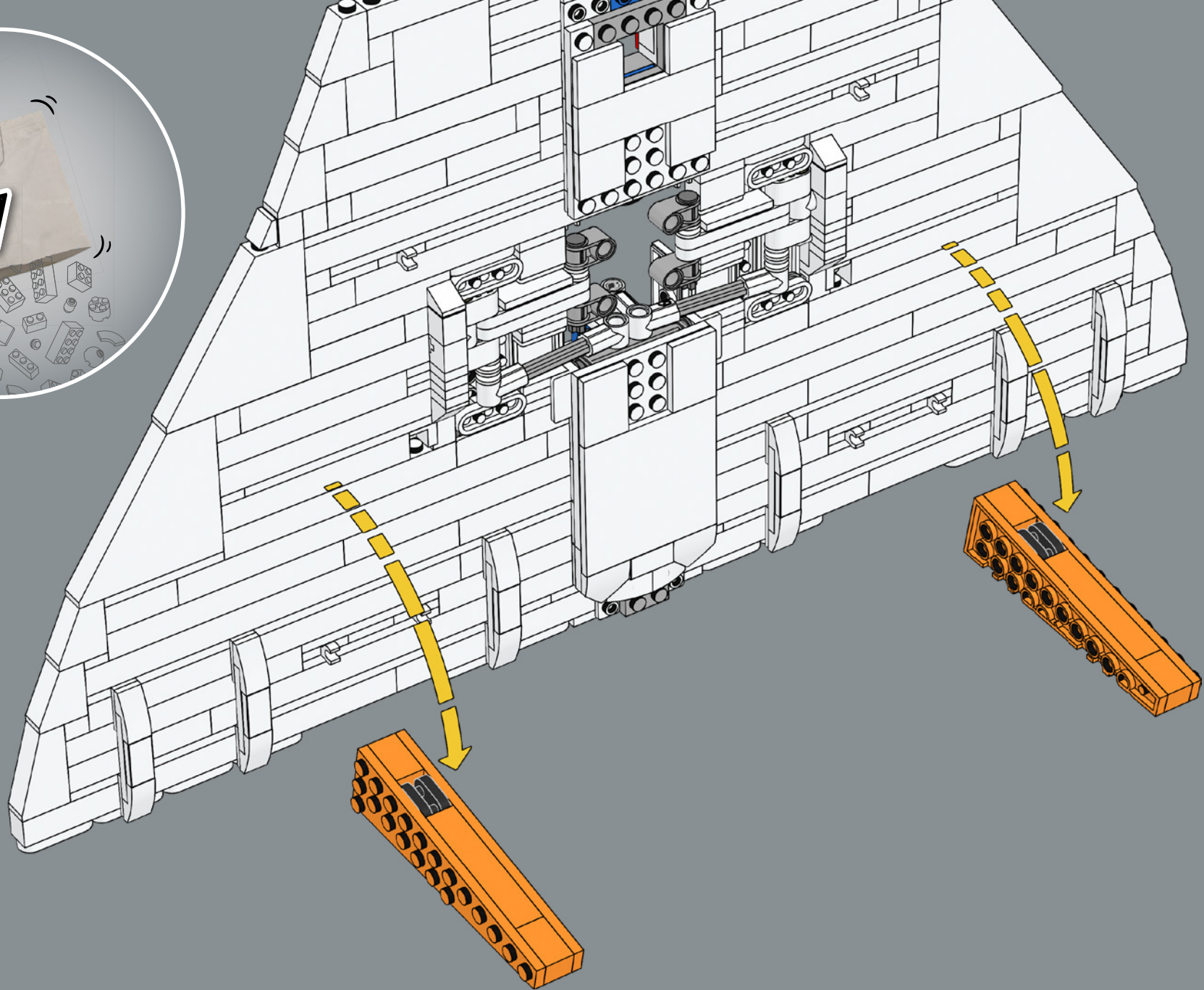


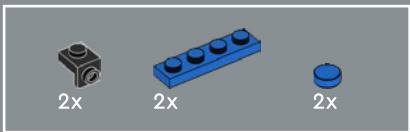
111



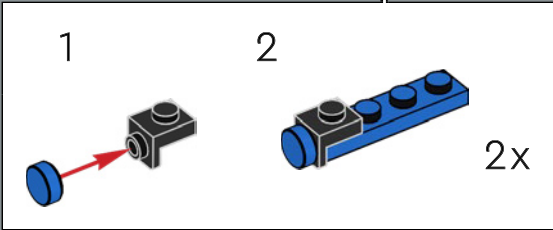
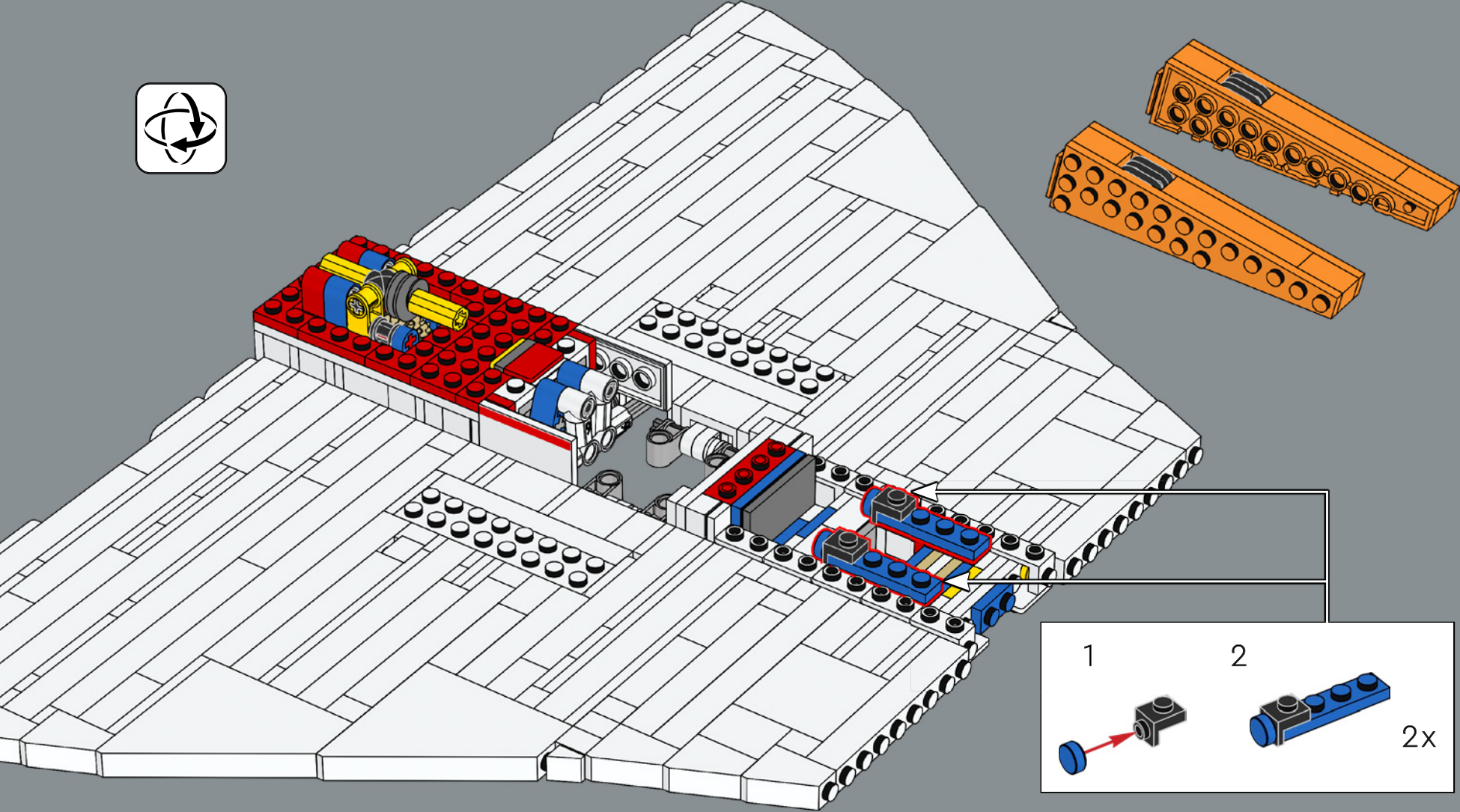


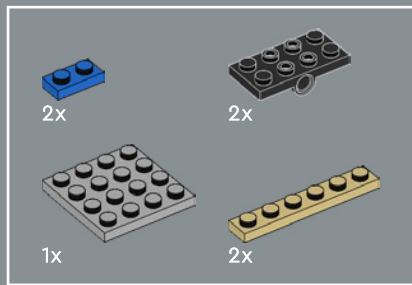
112



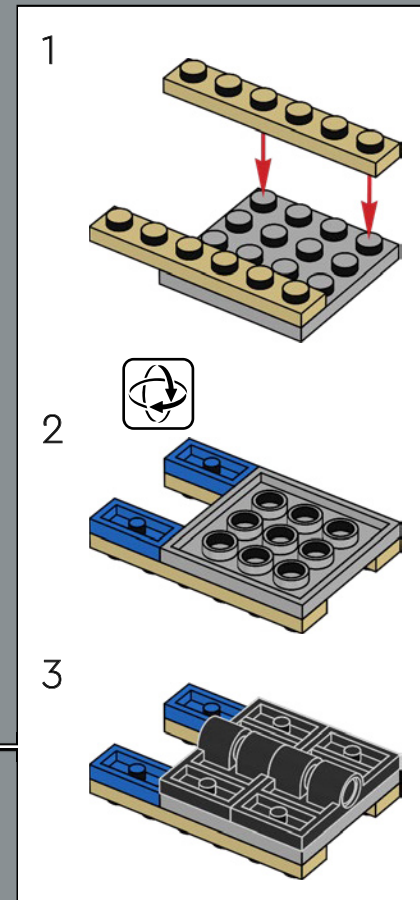
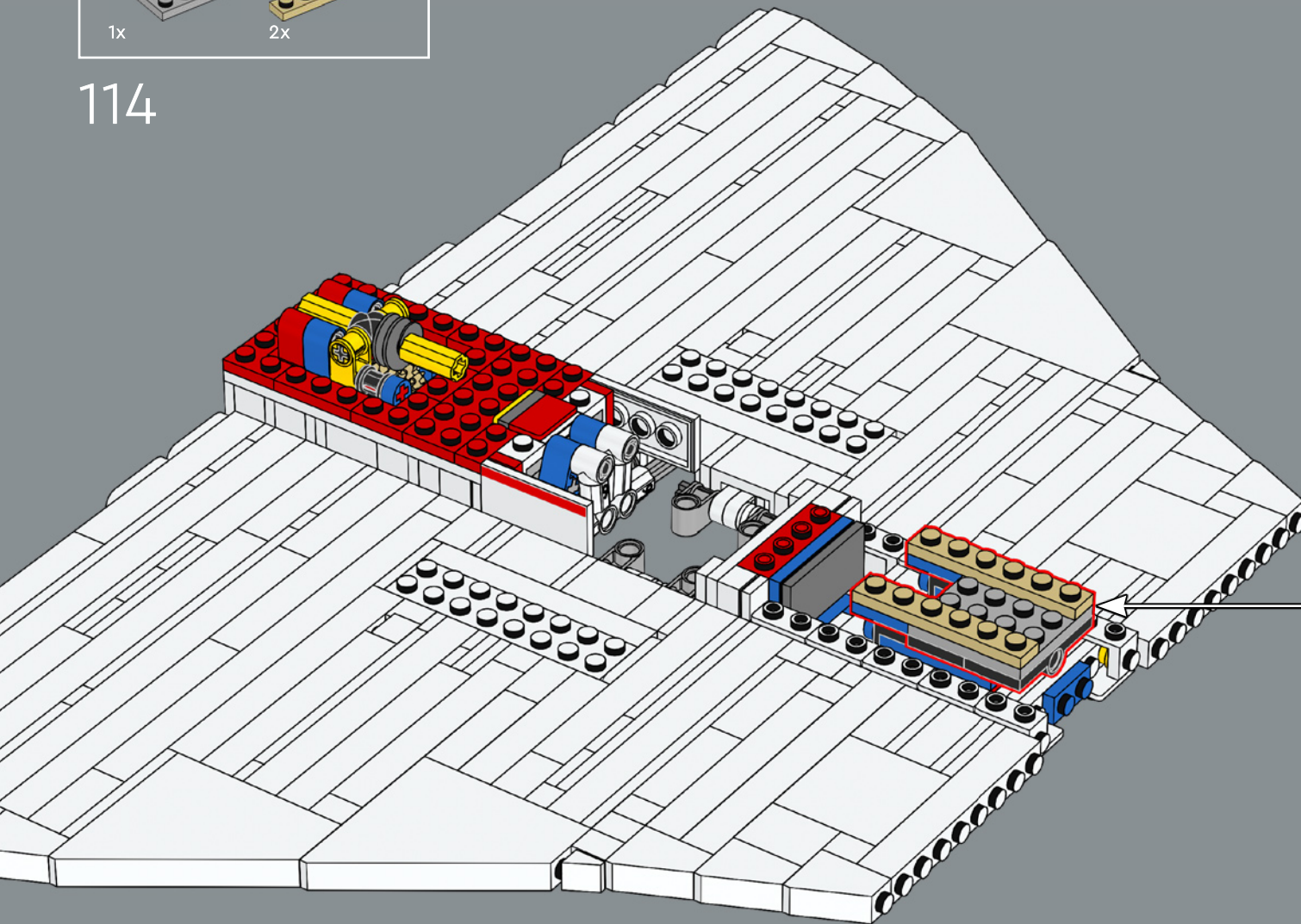


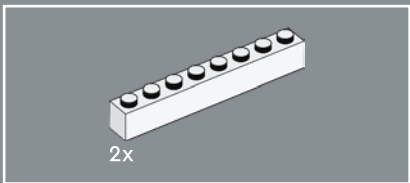
113



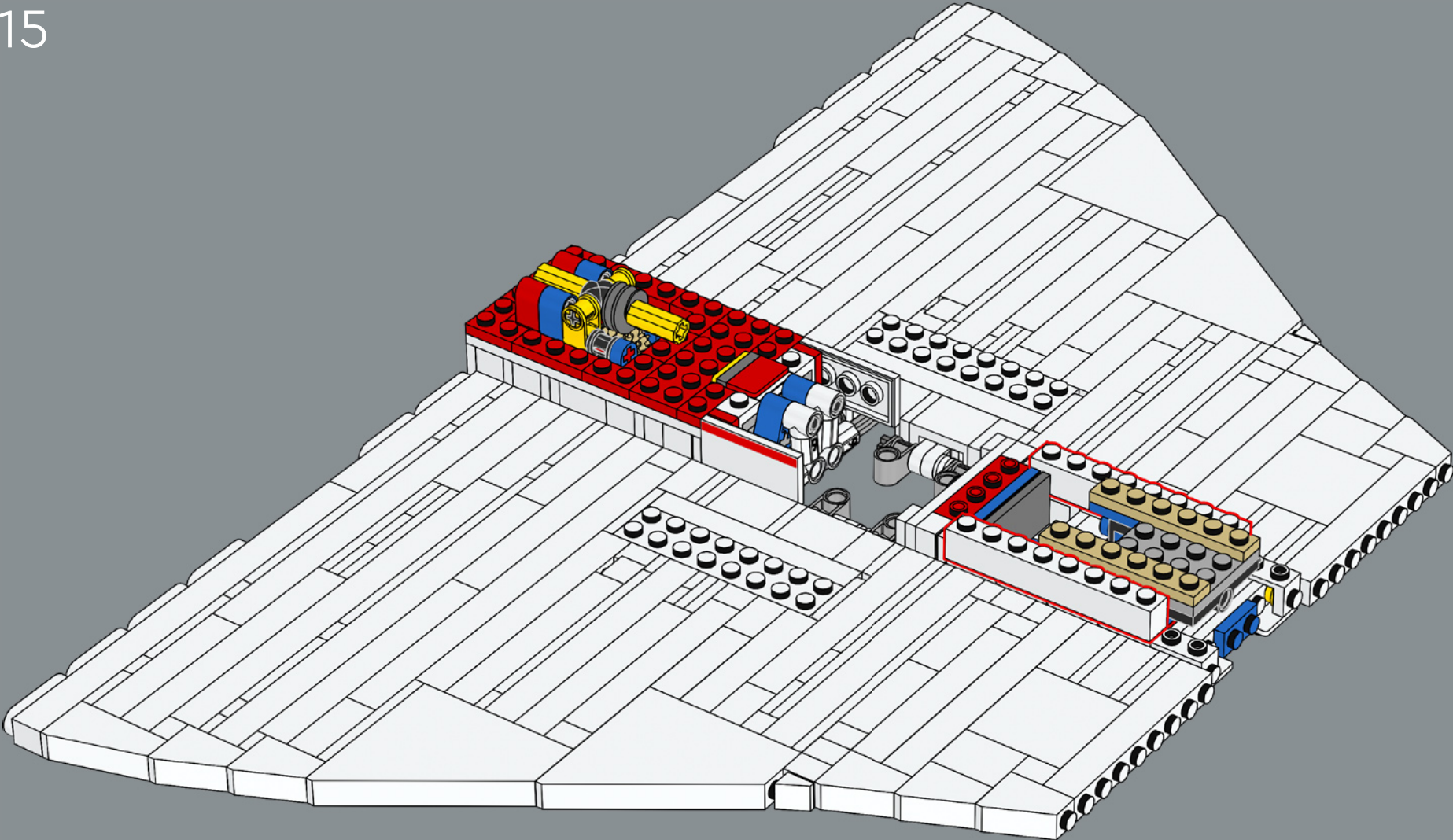


114



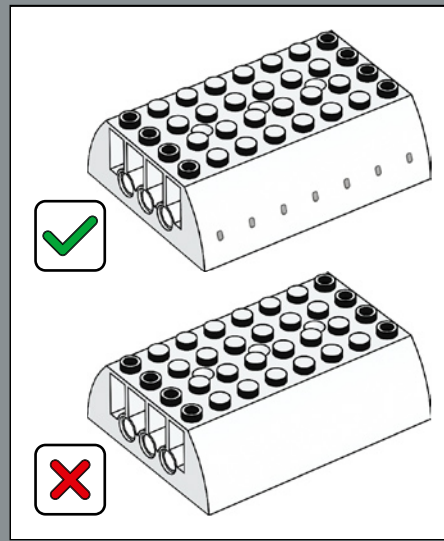
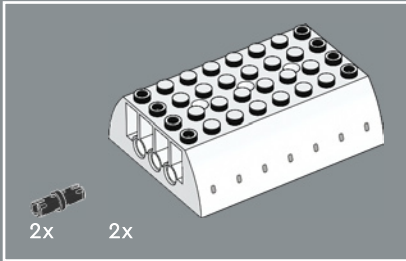
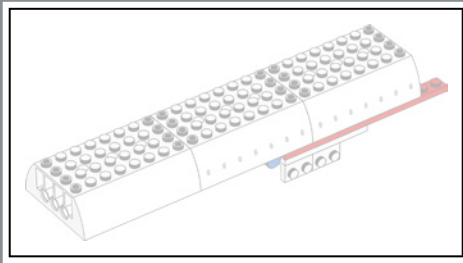


115

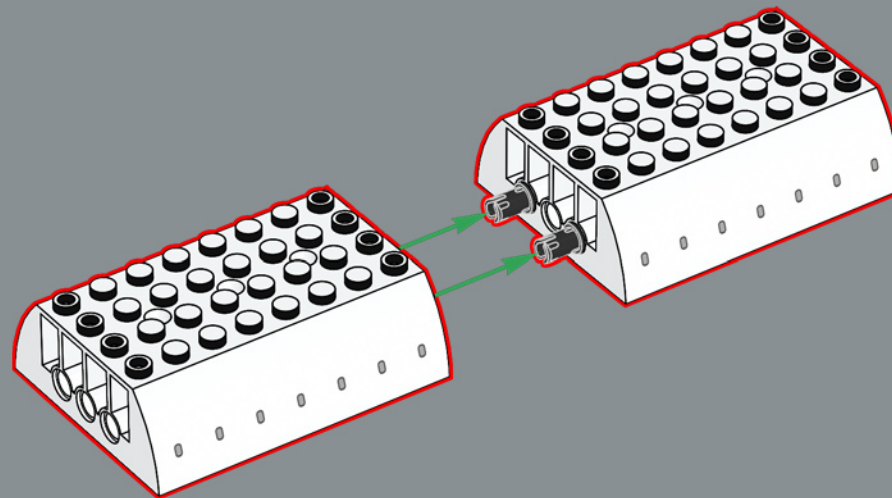


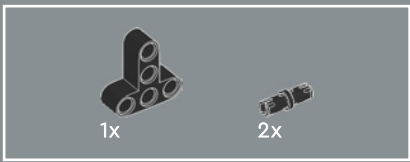


Despite the luxury experience passengers could expect on Concorde, the aircraft's windows were fairly small, about the same size as your hand.

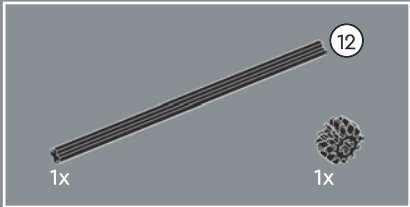
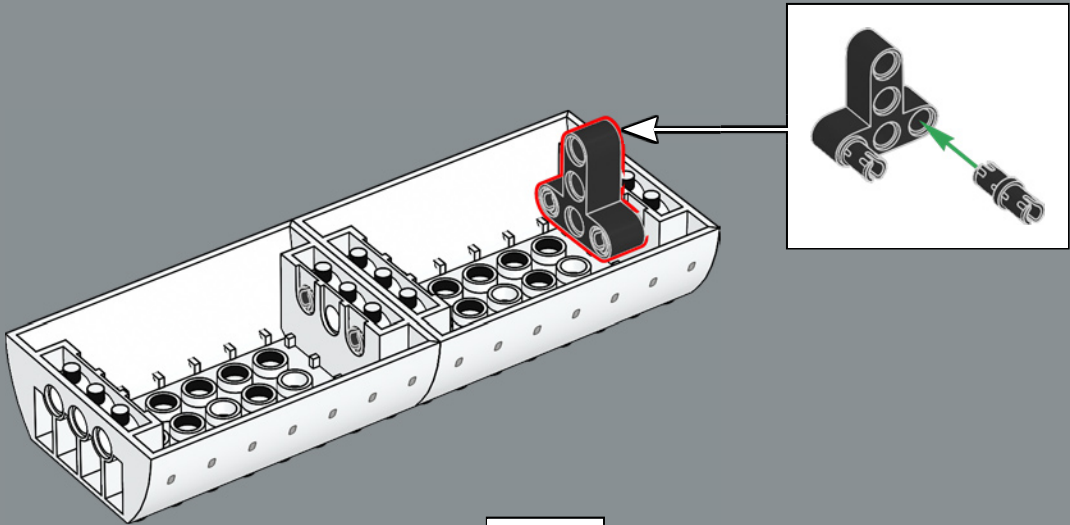


116

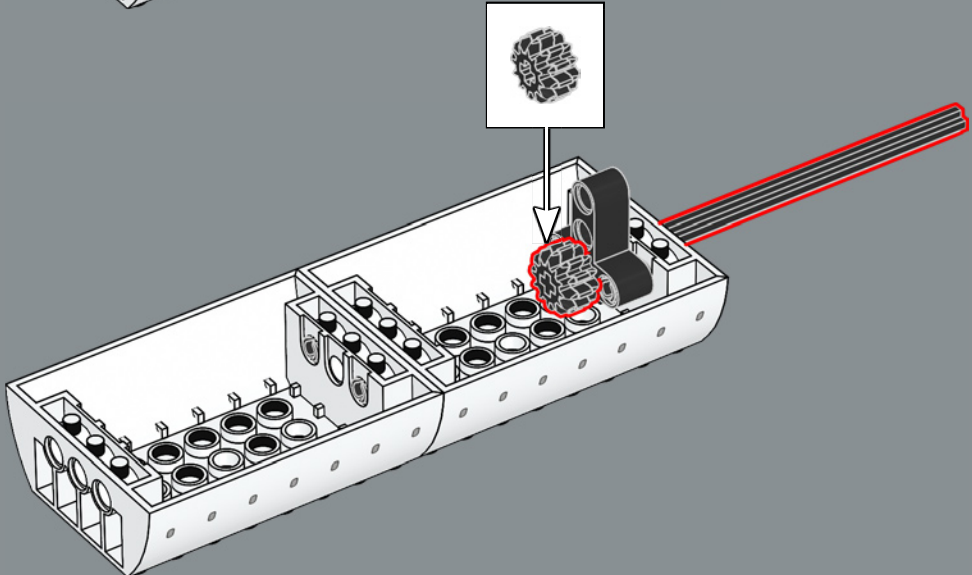


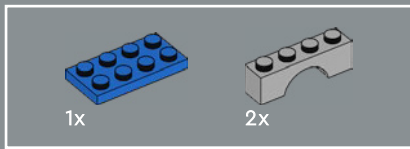


117

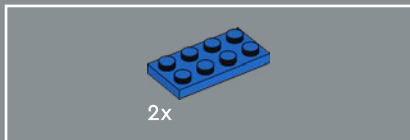
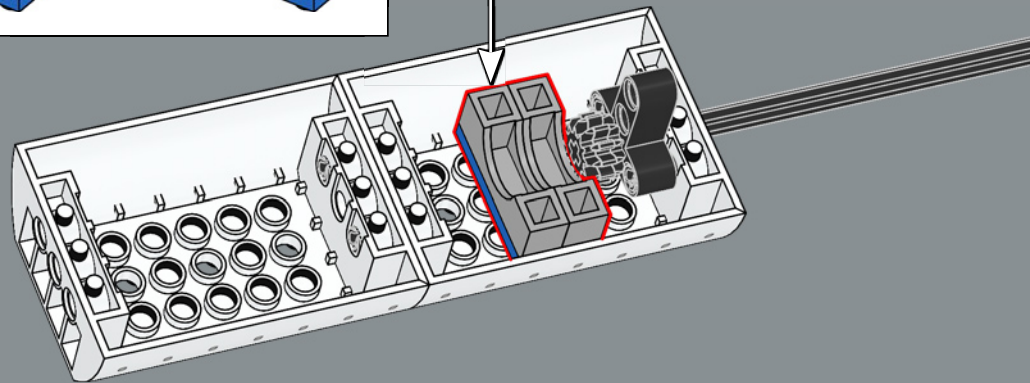
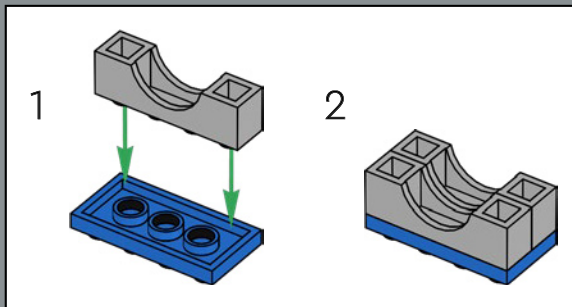


118

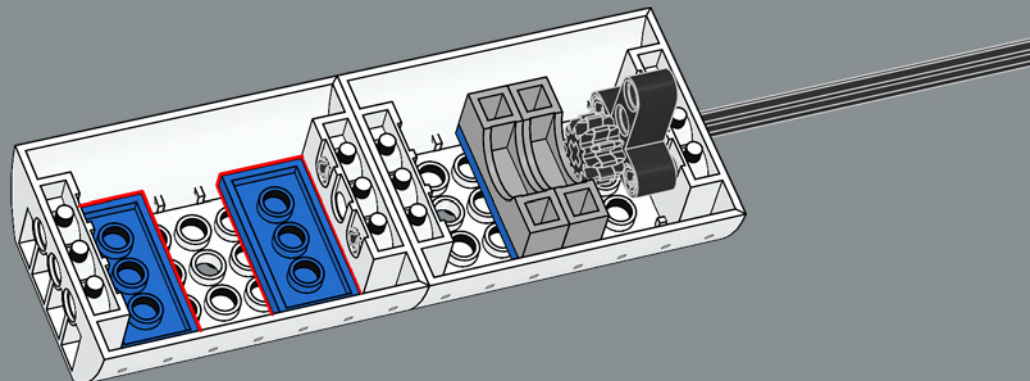


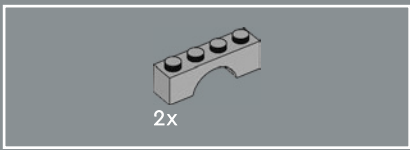


119

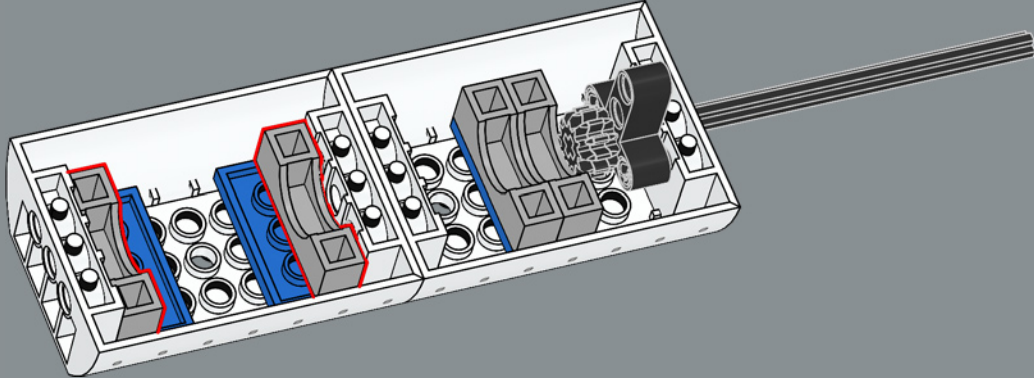


120

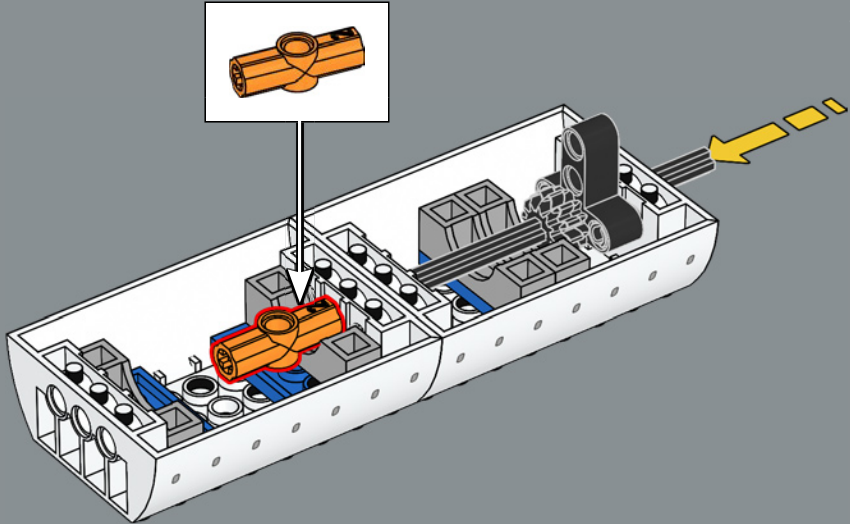




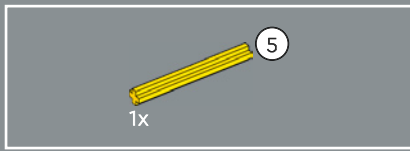
121



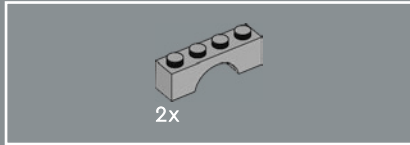
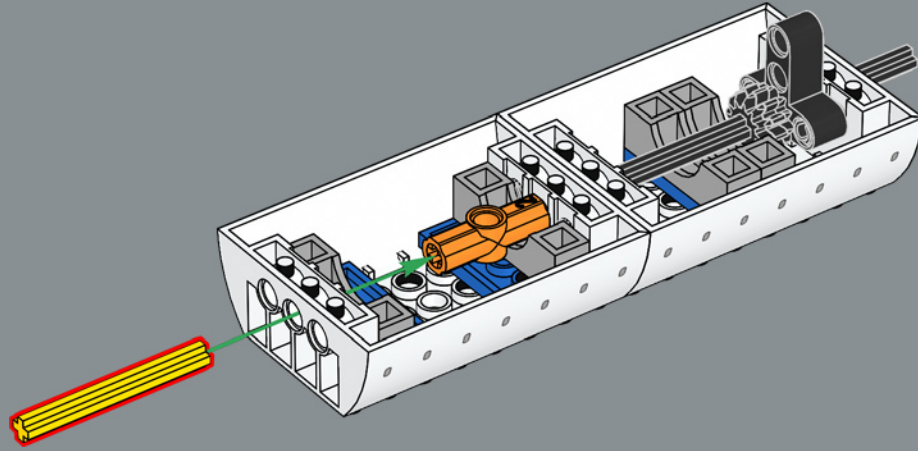
122



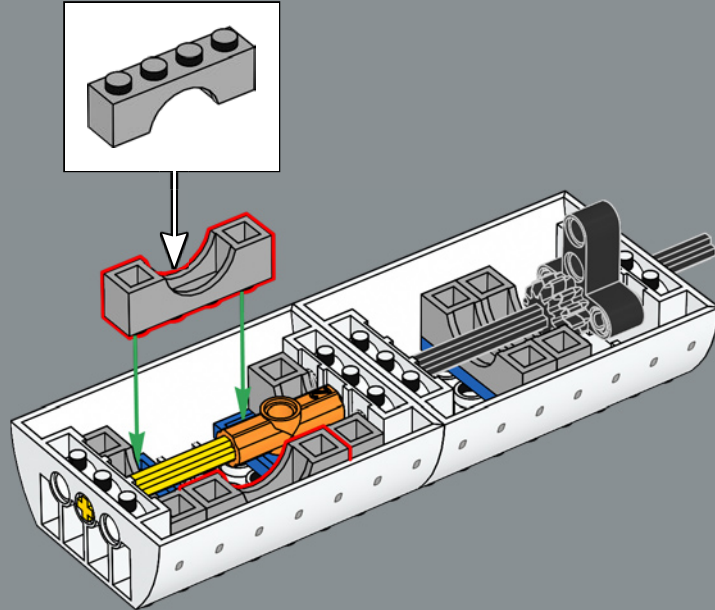
This little orange element not only connects the drive shaft of the main landing gear but can also be used to take apart your LEGO® model when you're ready to build something else!



123



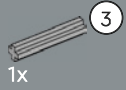
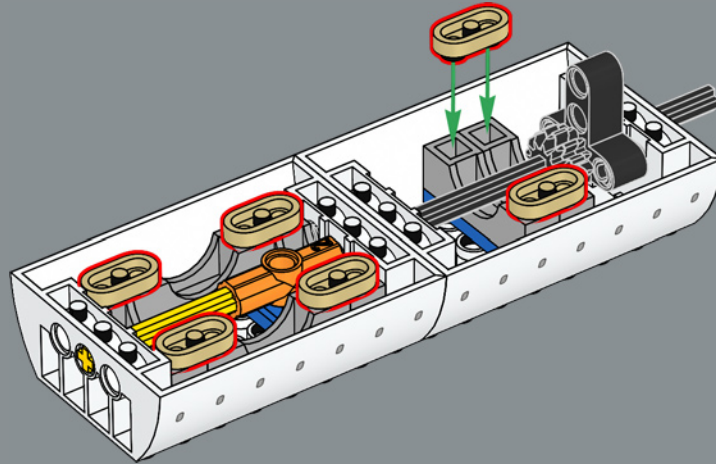
124





6x

125



1x

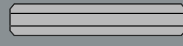
3



1x



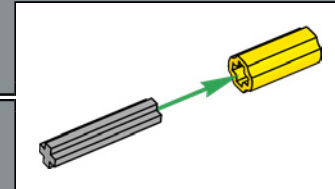
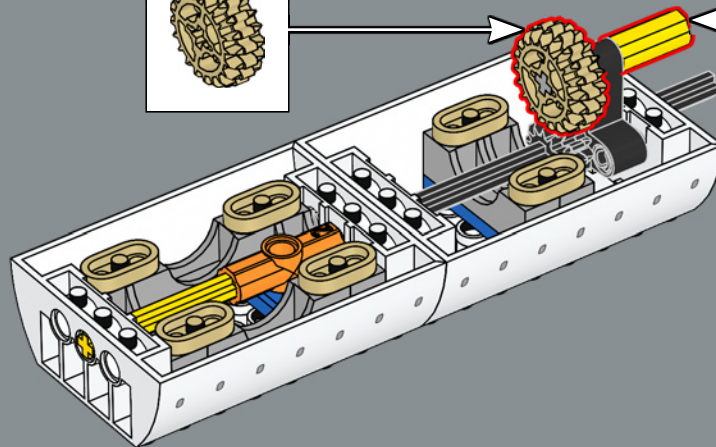
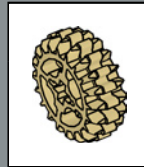
1x

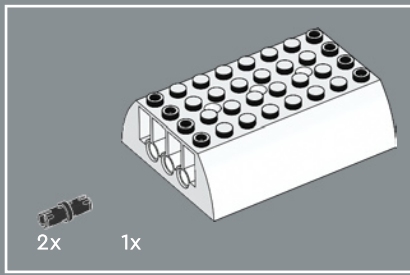


3

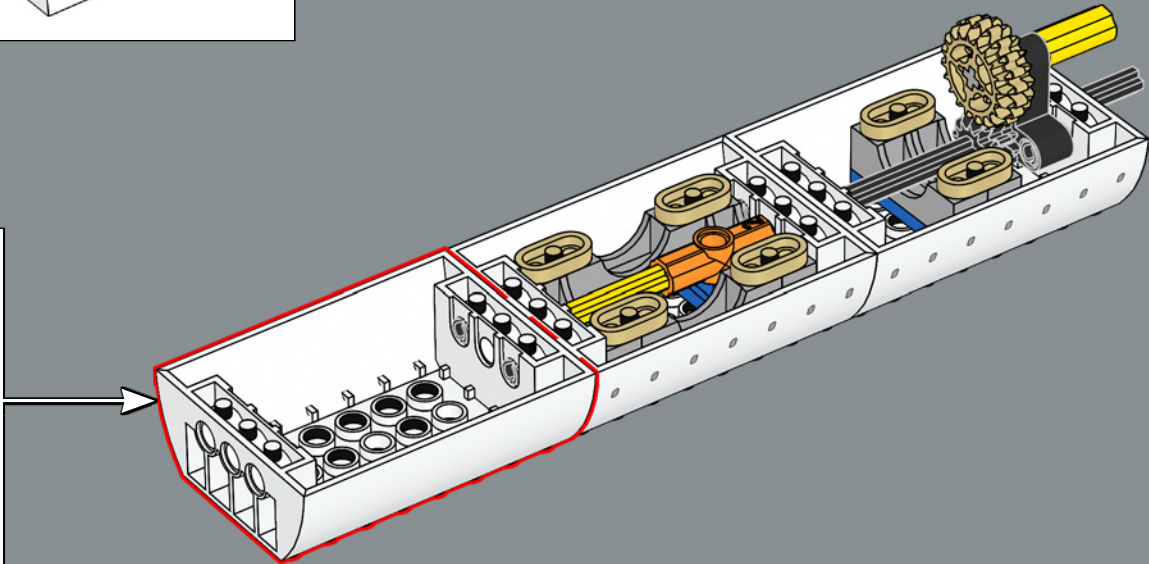
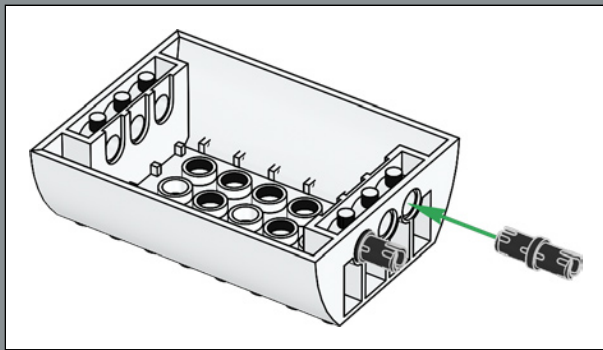
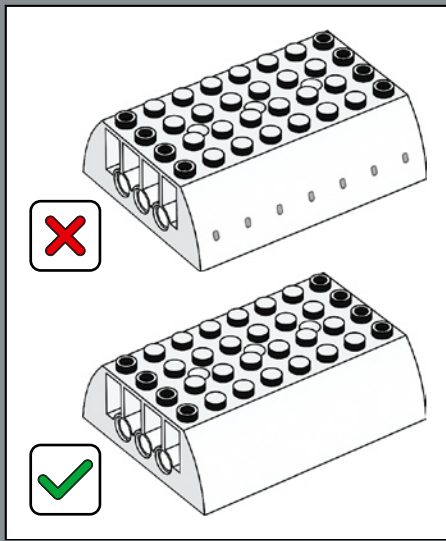
1:1

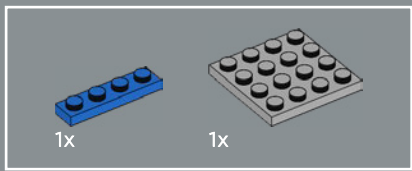
126



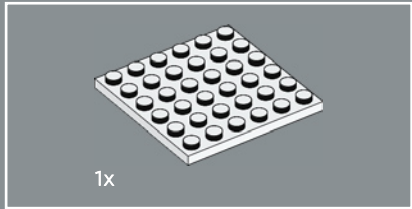
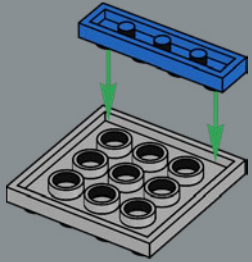


127

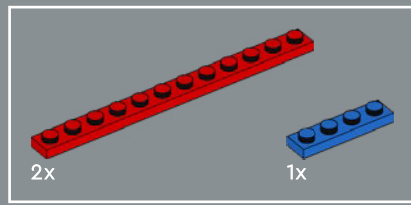
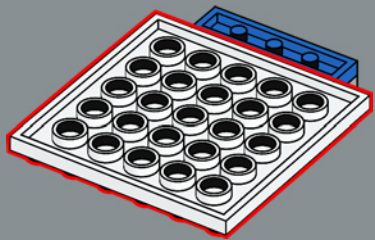




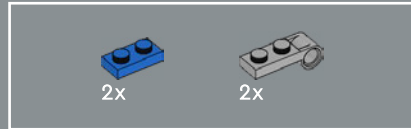
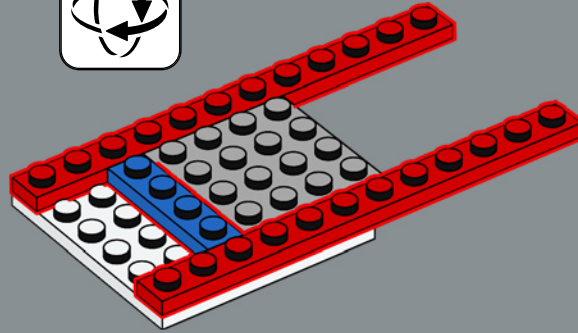
128



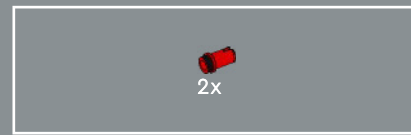
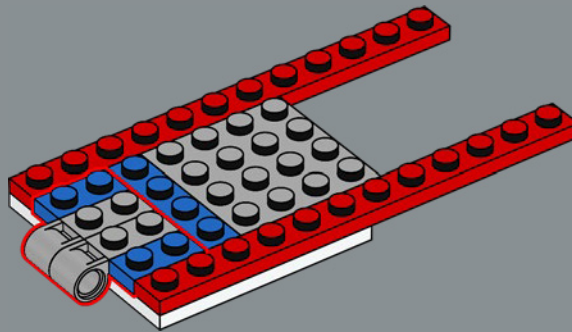
129



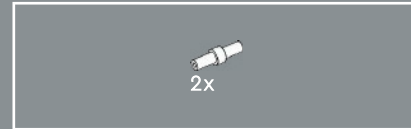
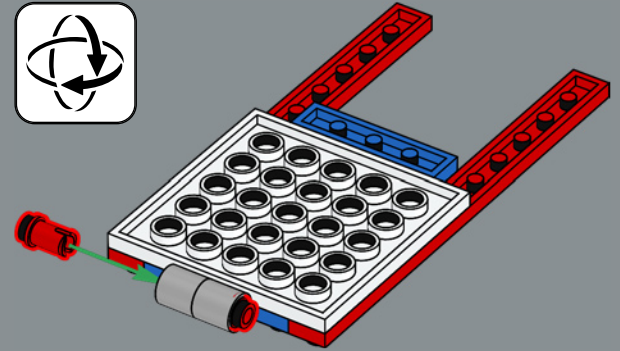
130



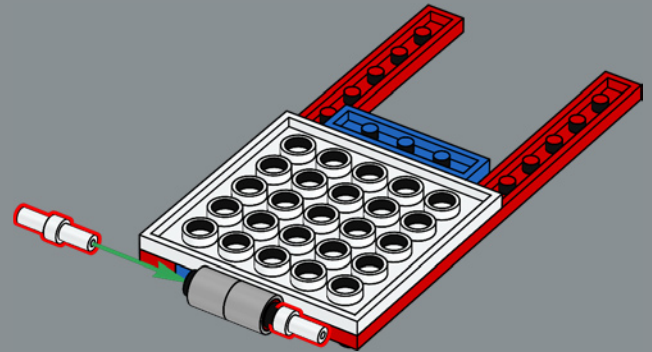
131



132

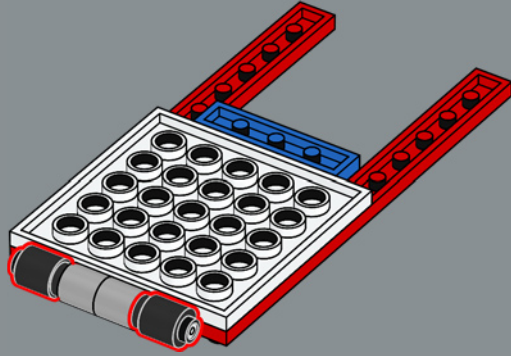


133

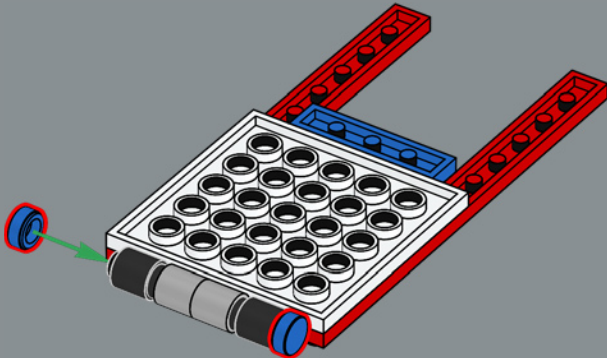




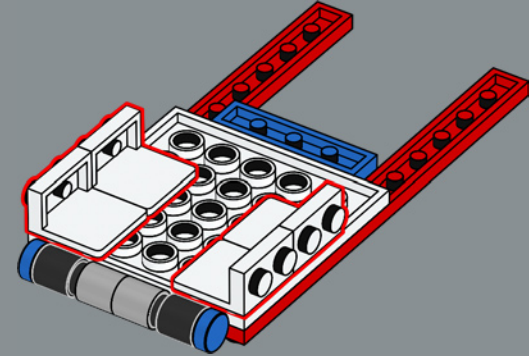
134



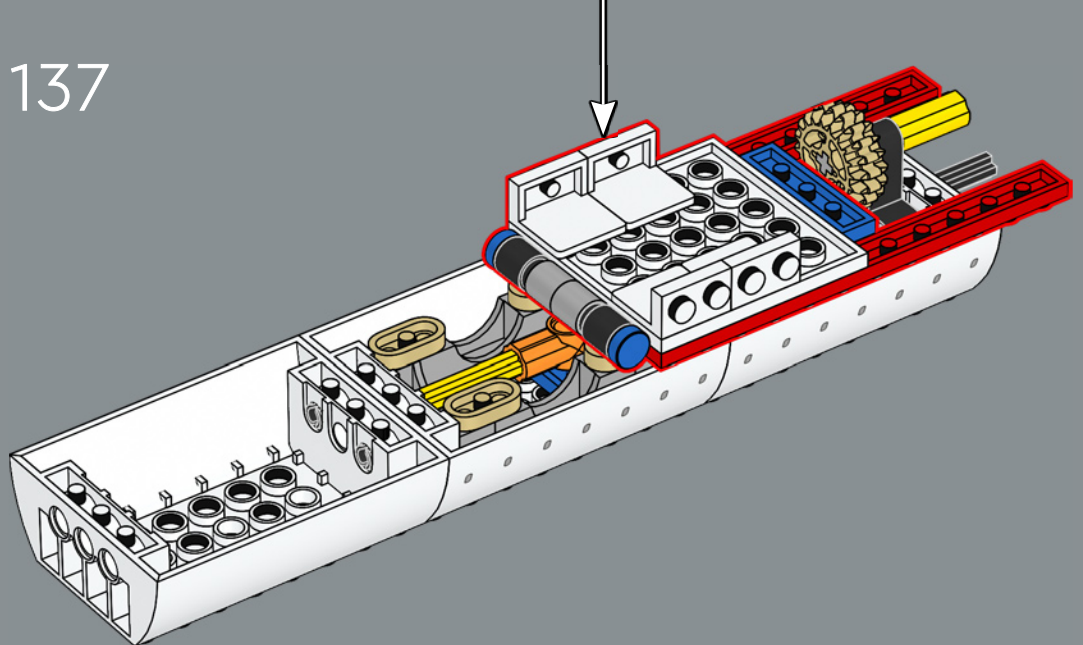
135

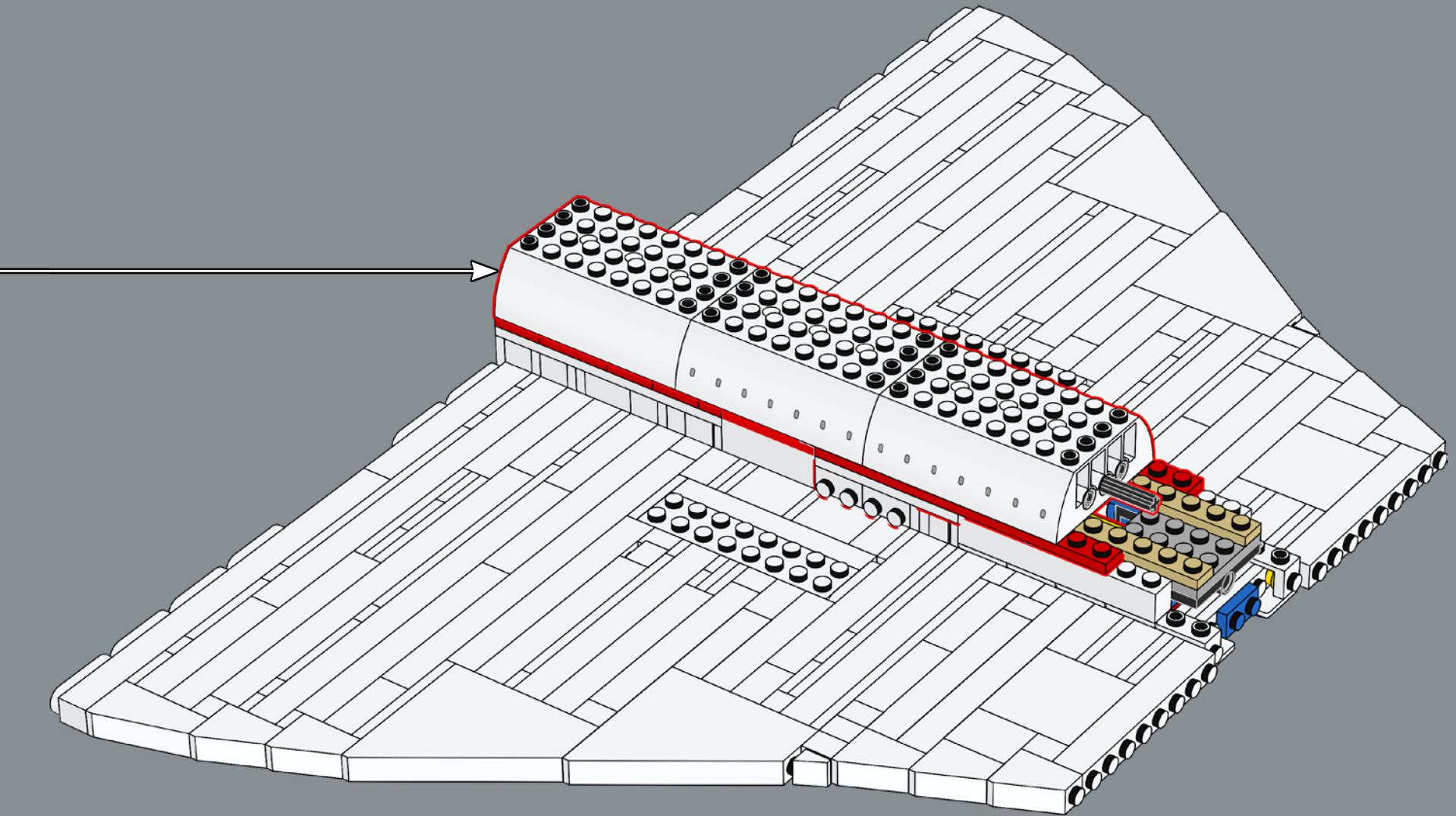


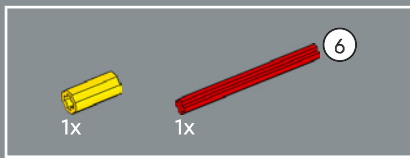
136



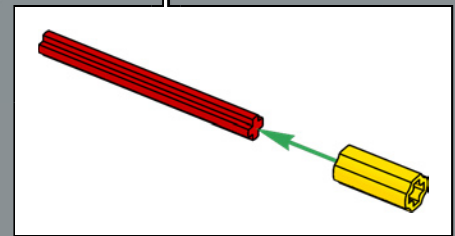
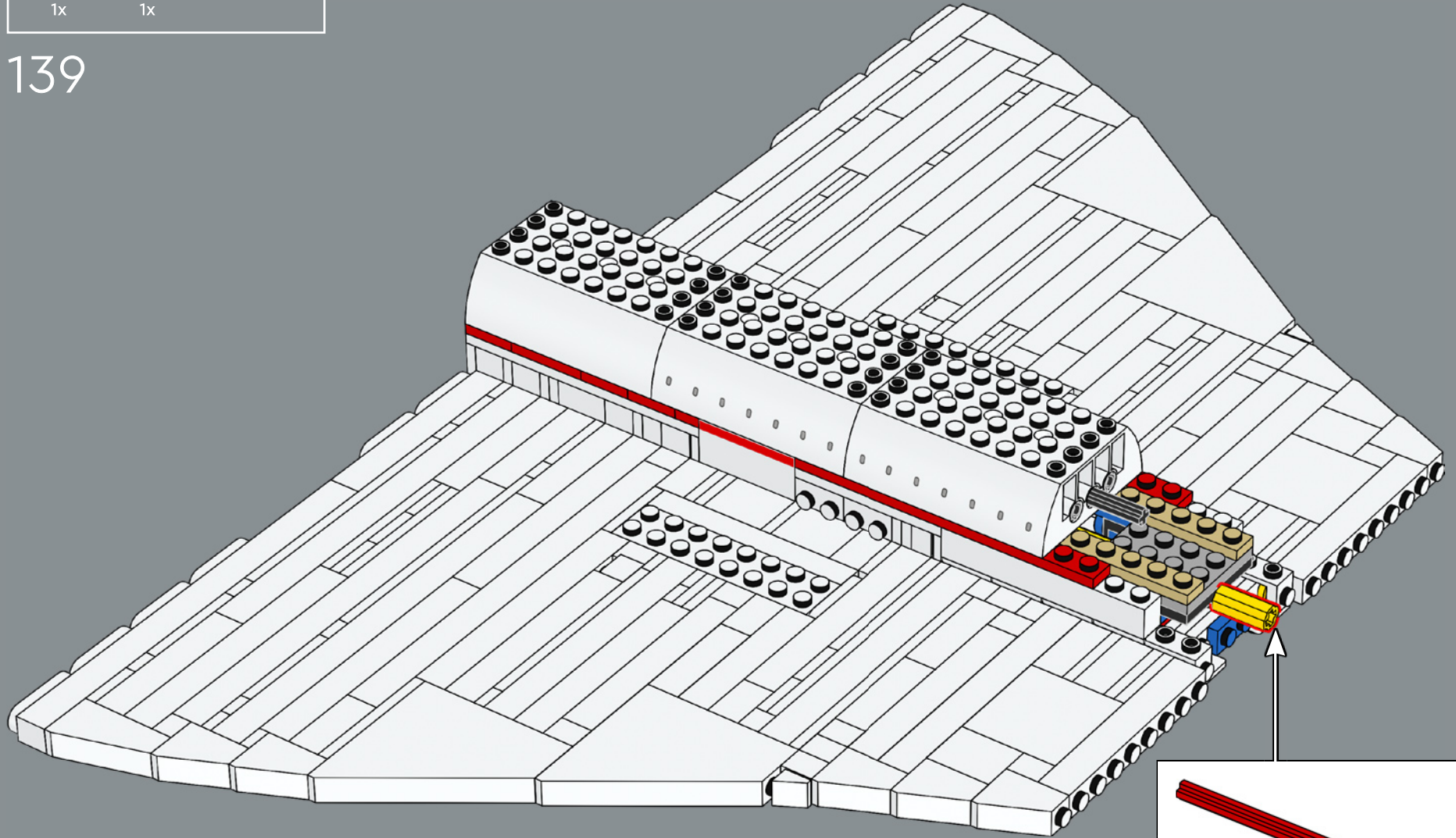
137

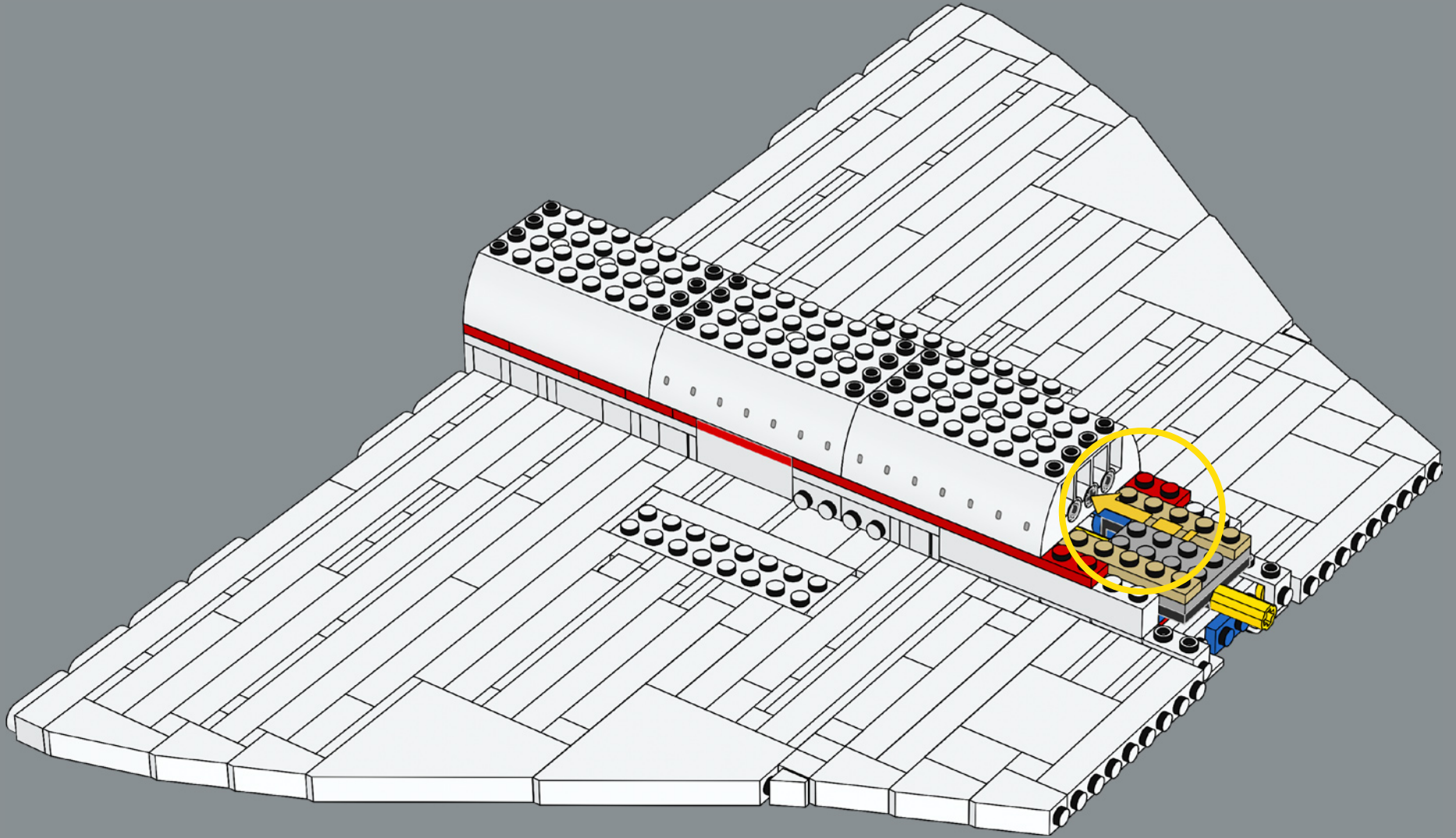


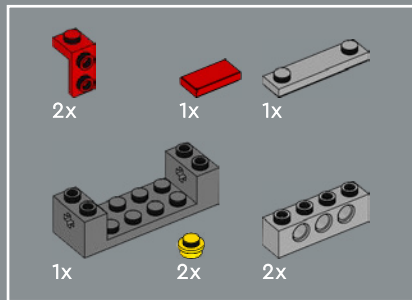




139

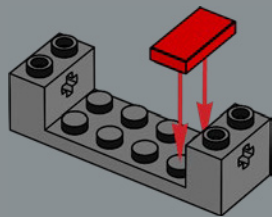




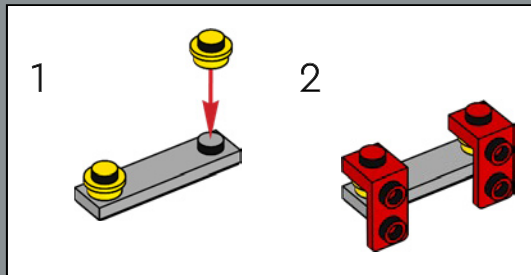
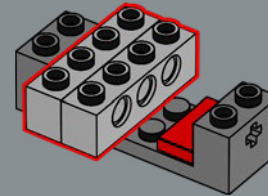


141

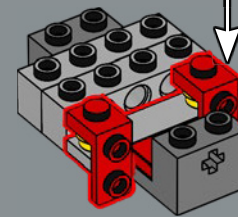
1



2

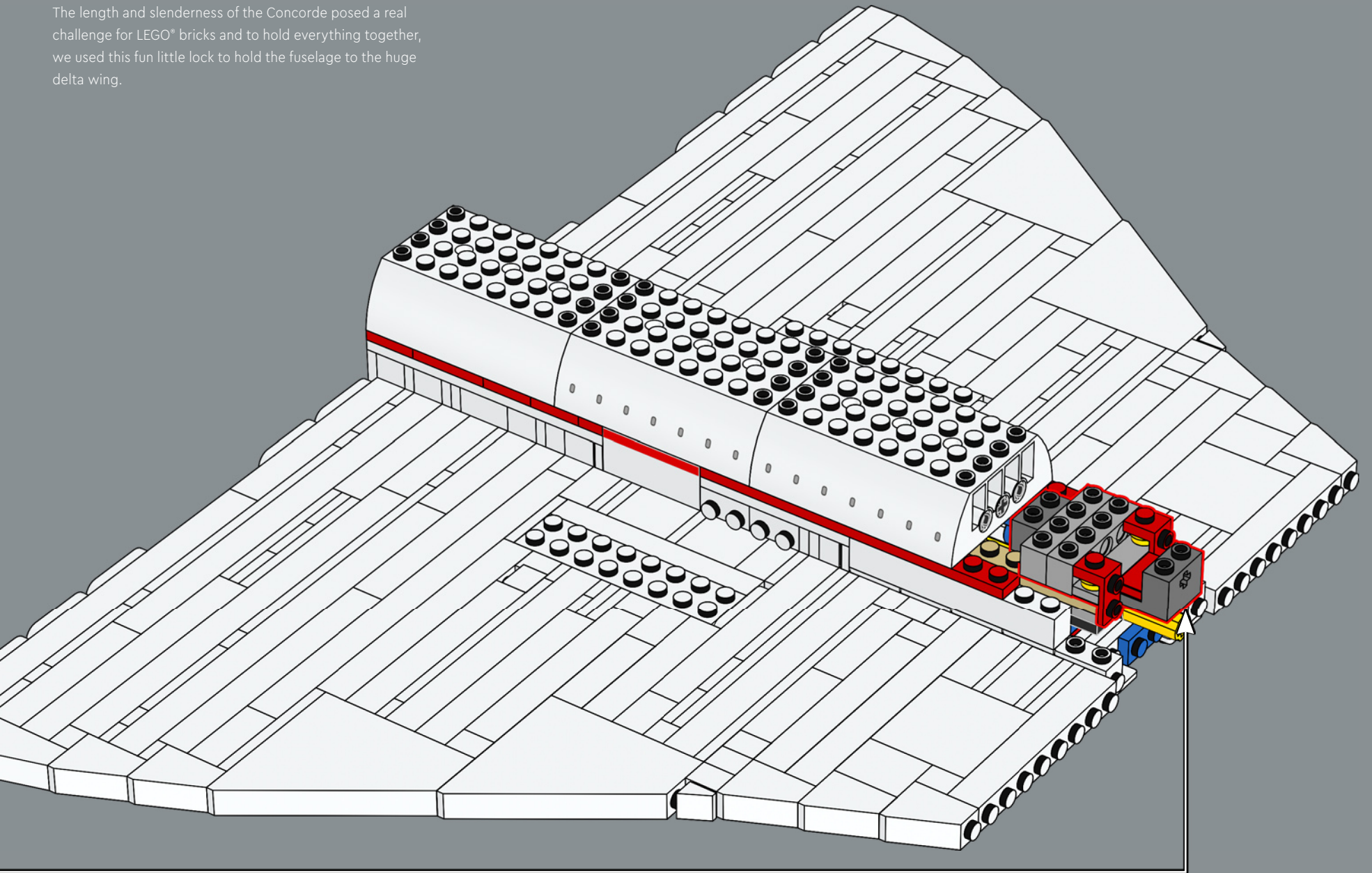


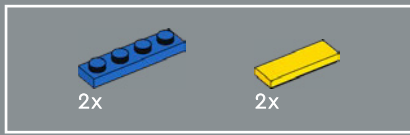
3



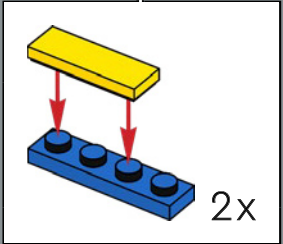
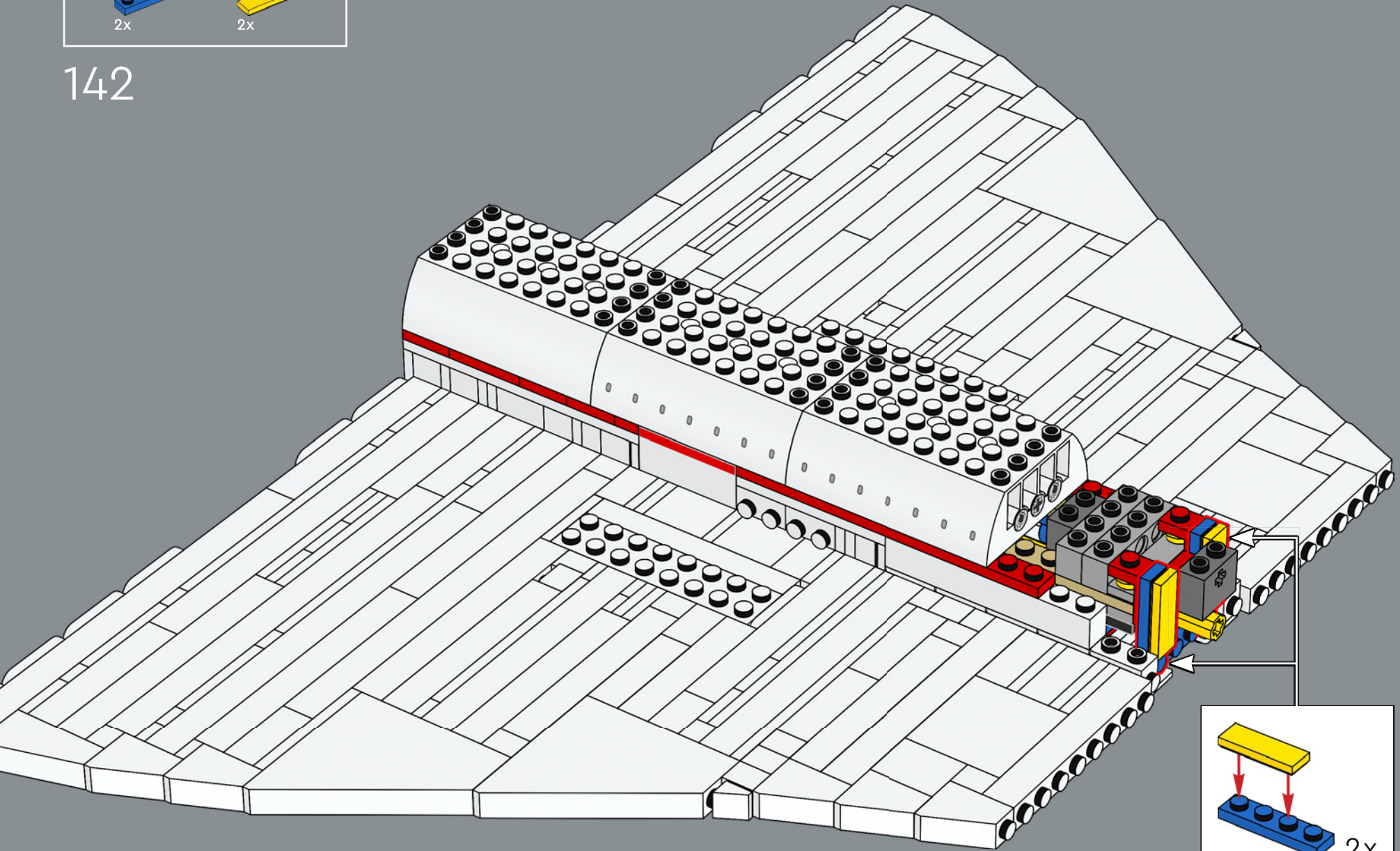


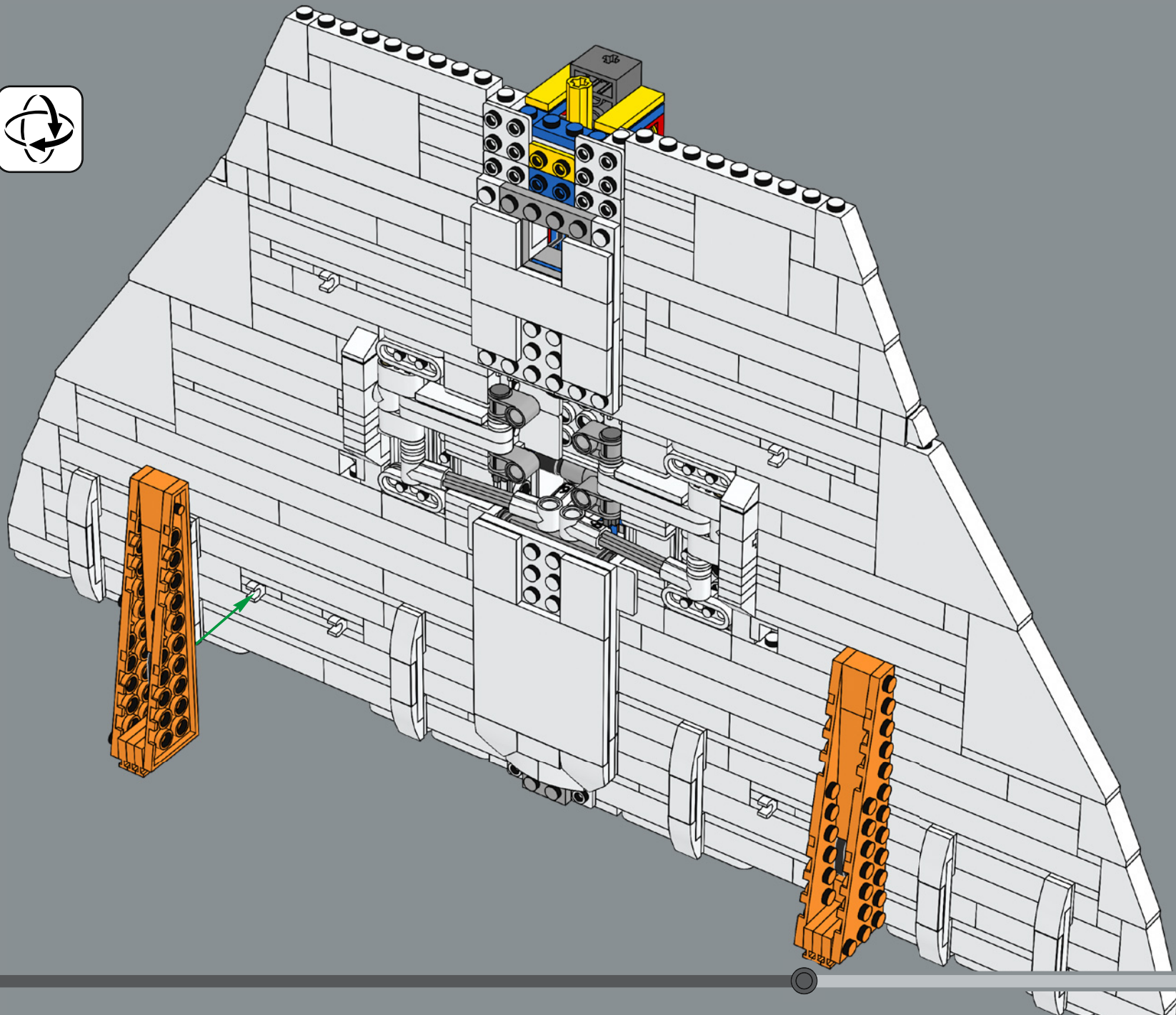
The length and slenderness of the Concorde posed a real challenge for LEGO® bricks and to hold everything together, we used this fun little lock to hold the fuselage to the huge delta wing.

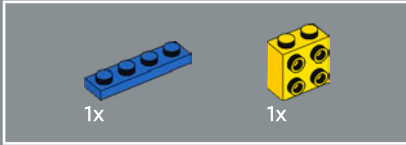
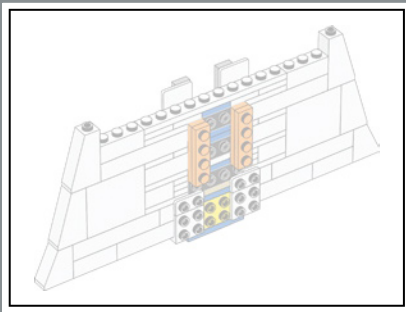




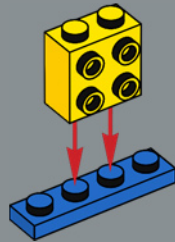
142



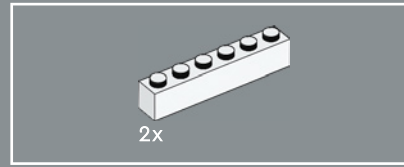
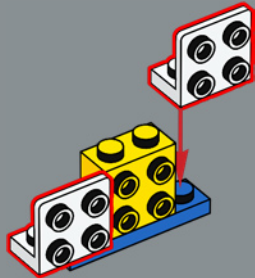




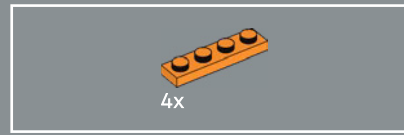
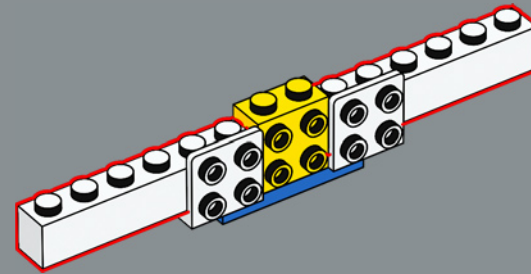
144



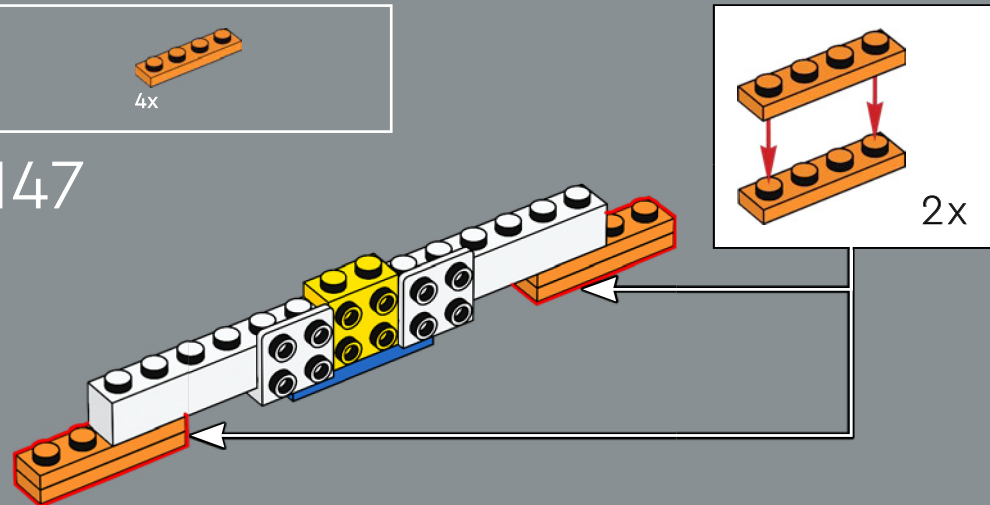
145

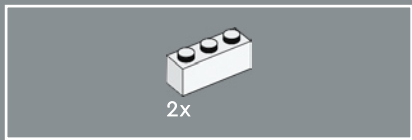


146

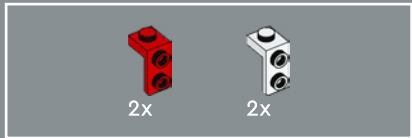
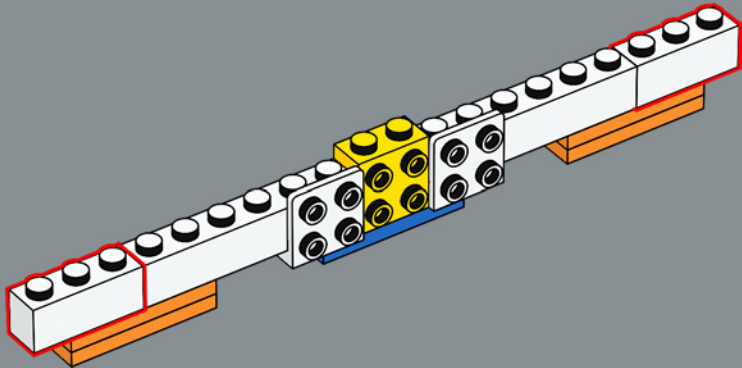


147

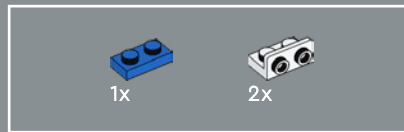
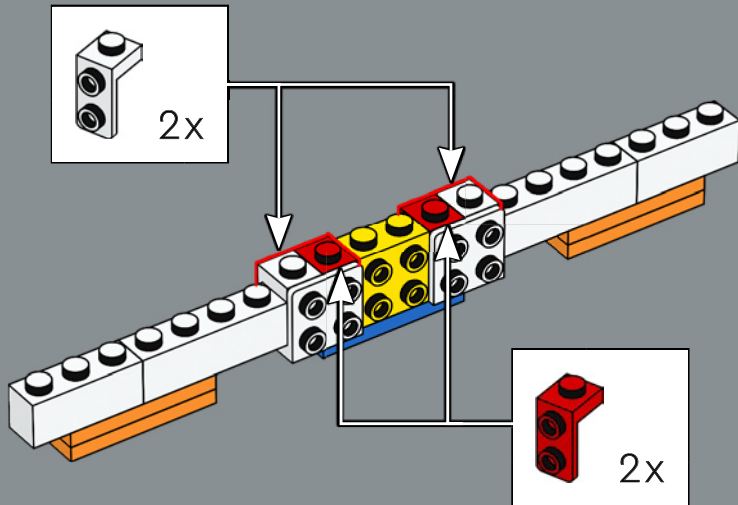




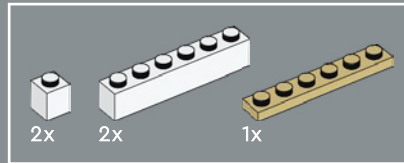
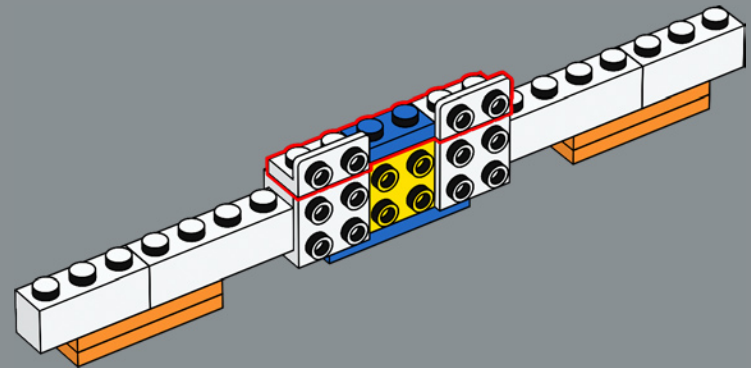
148



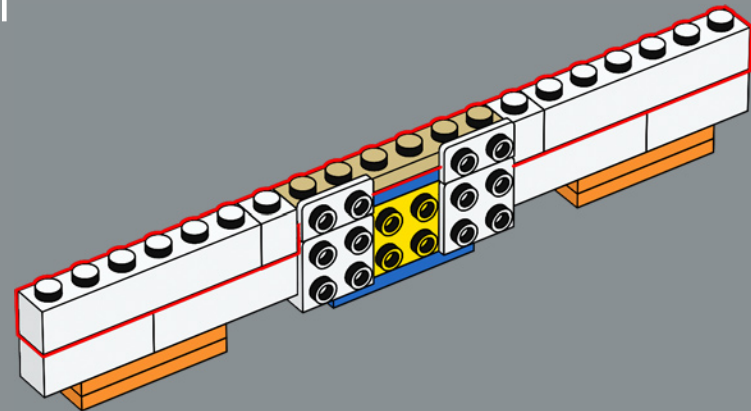
149

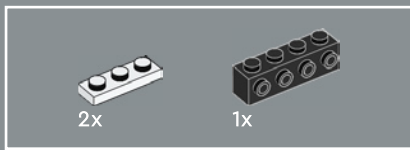


150

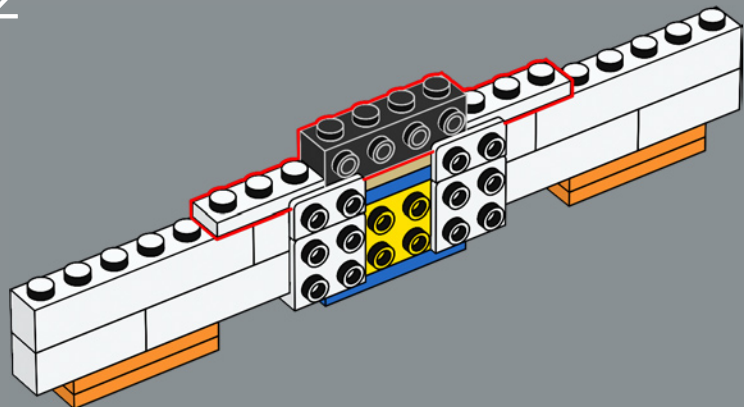


151

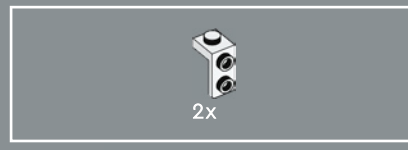
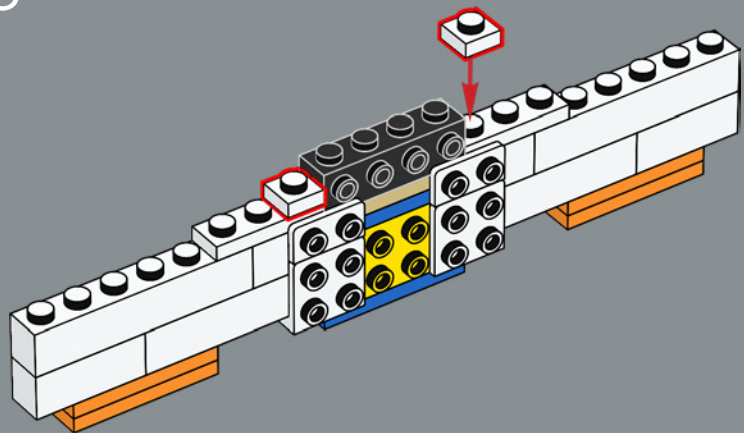




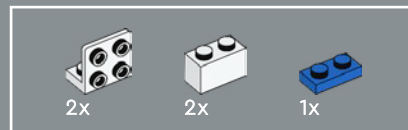
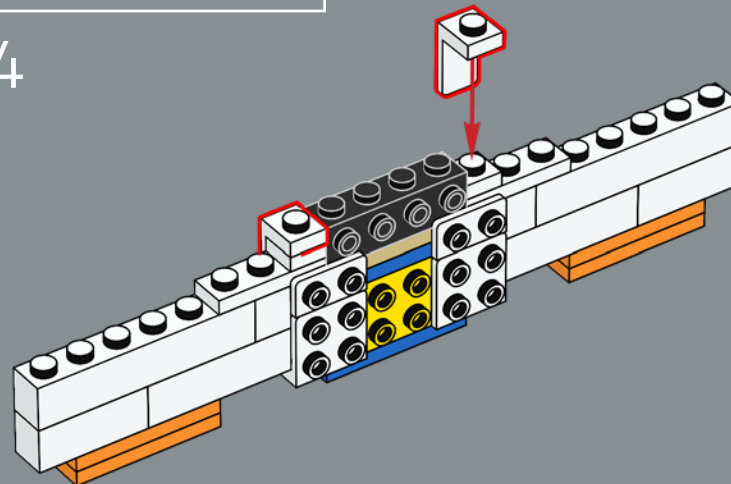
152



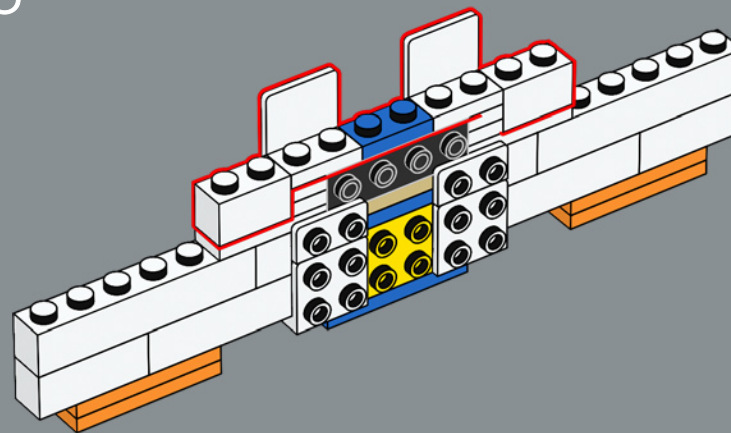
153

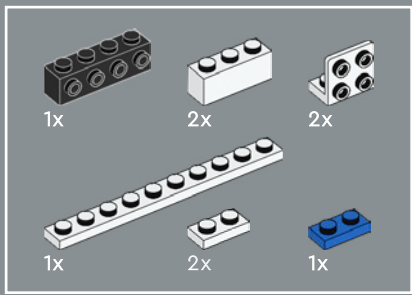


154

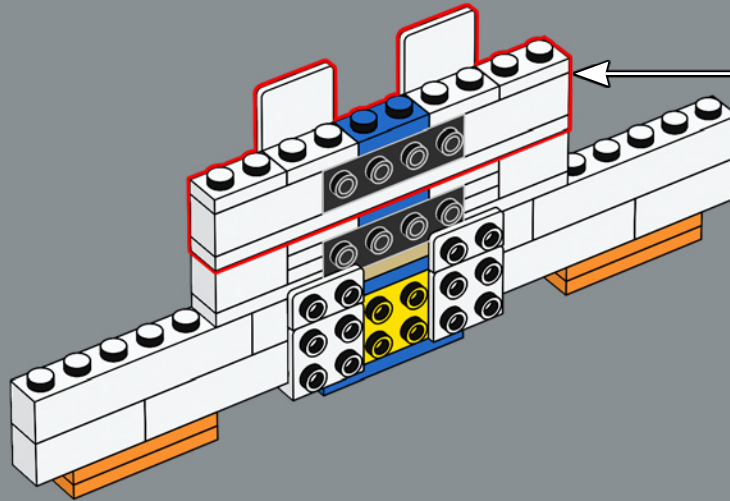
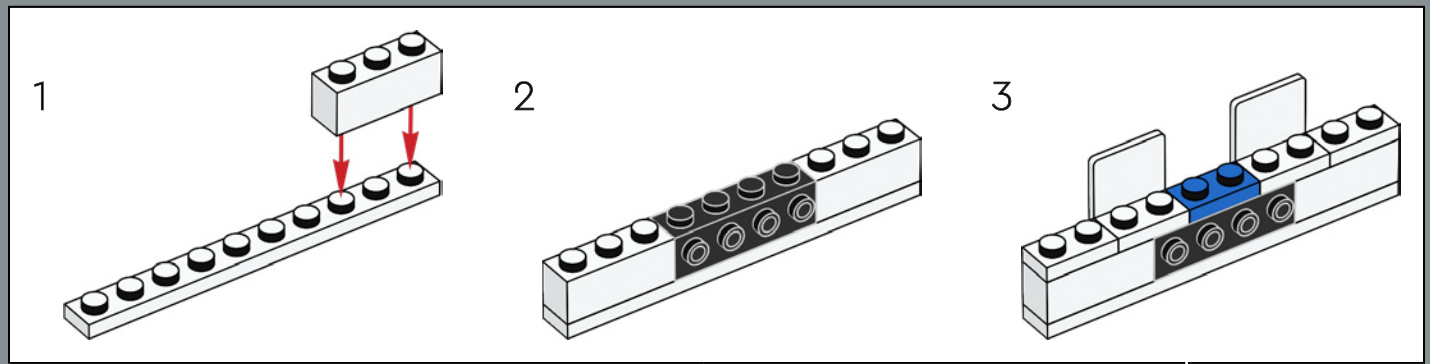


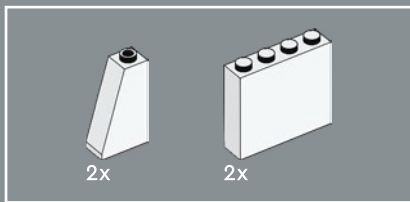
155



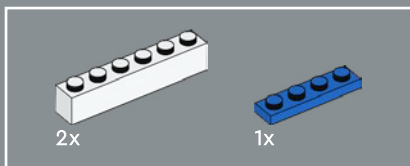
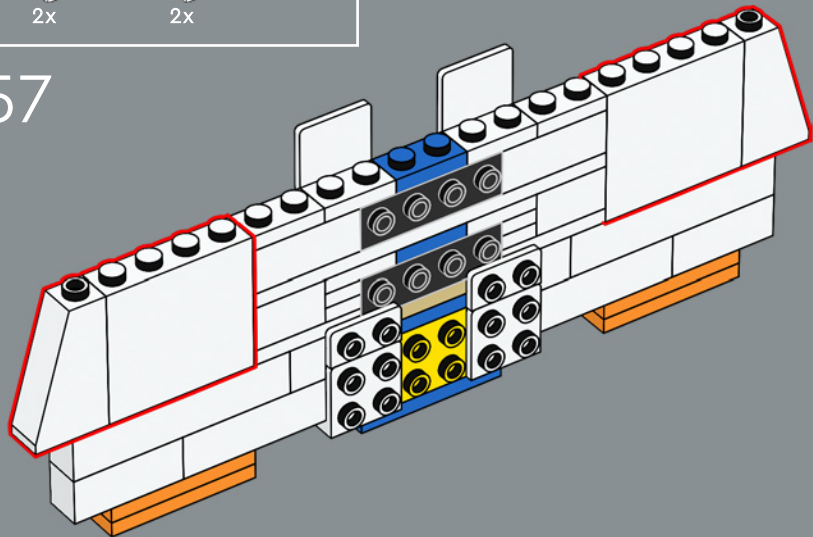


156

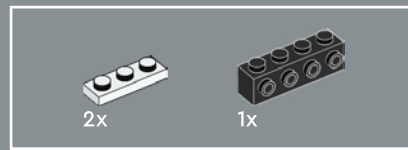
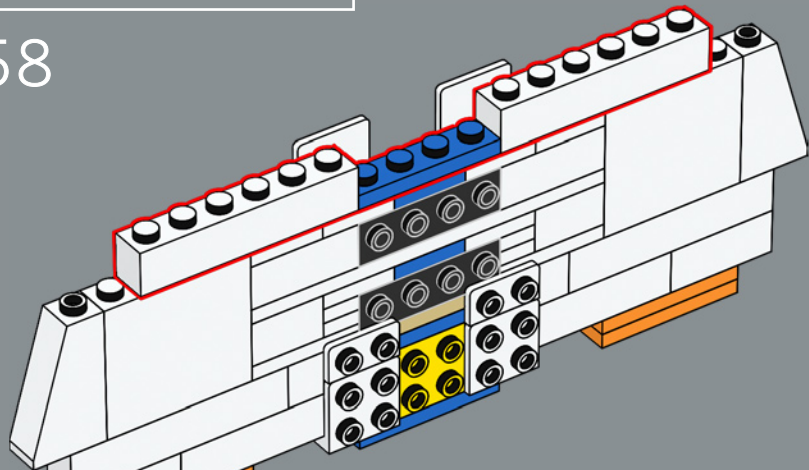




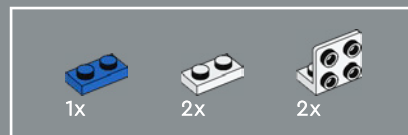
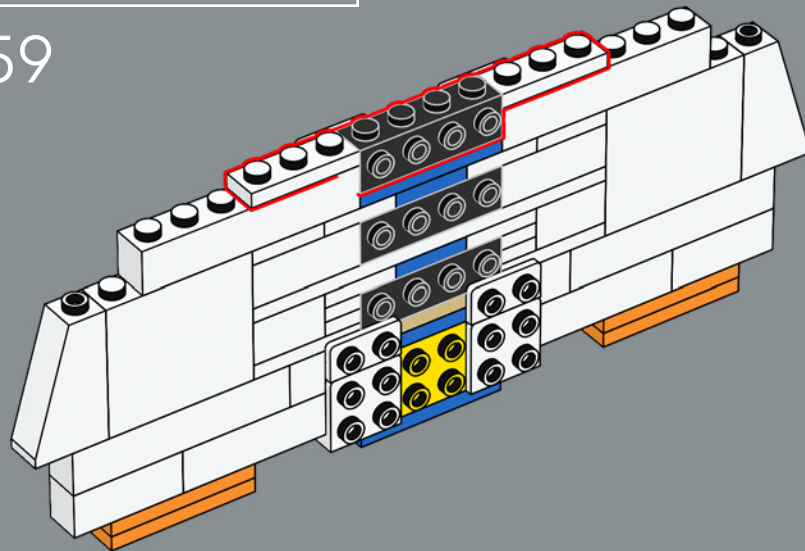
157



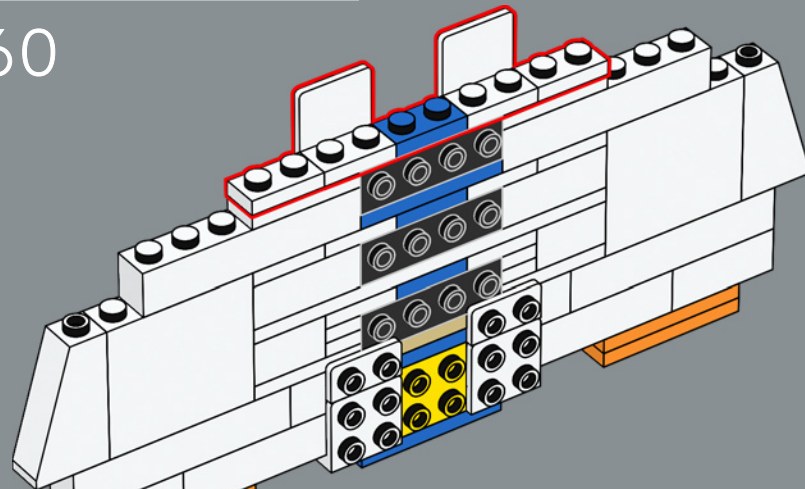
158

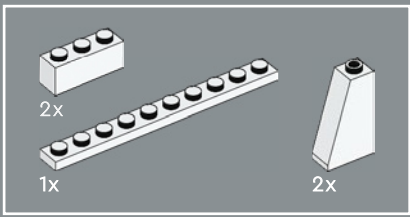


159

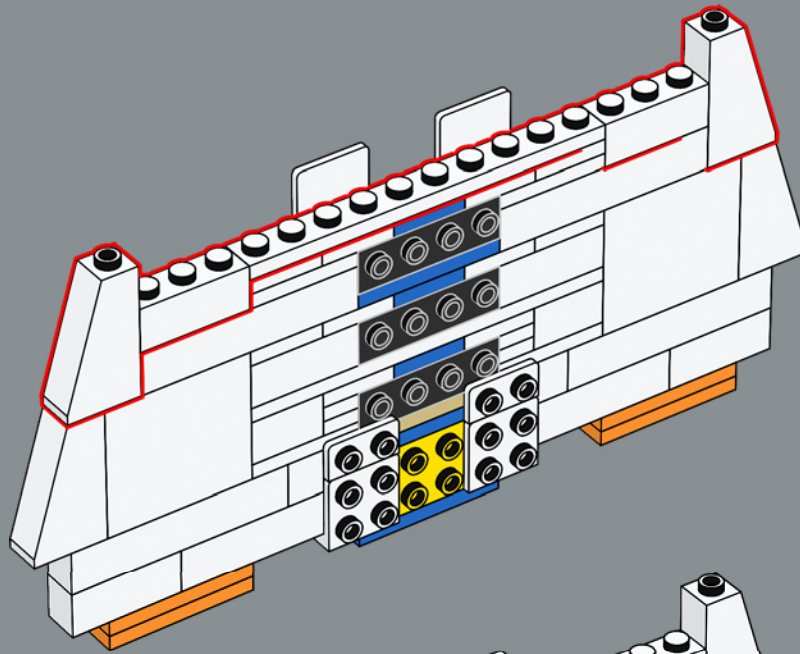


160

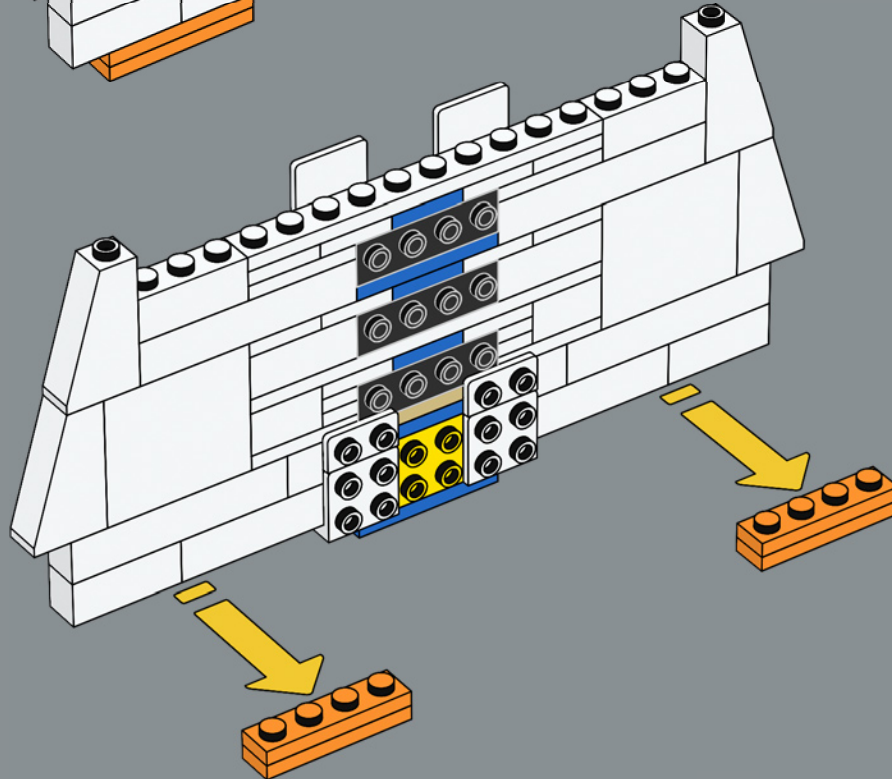


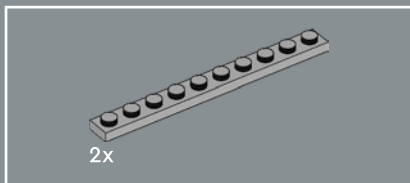


161

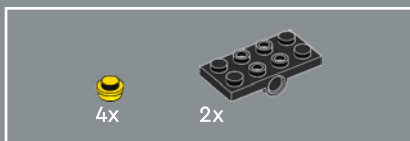
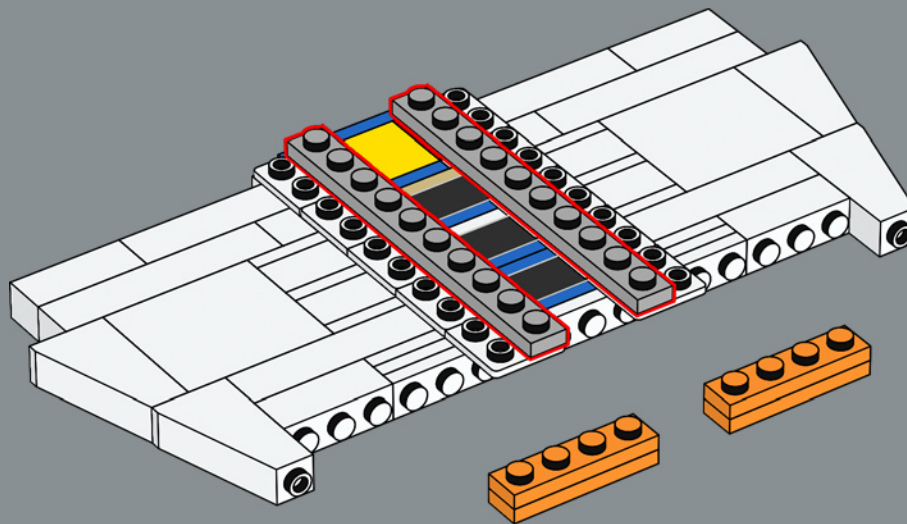


162

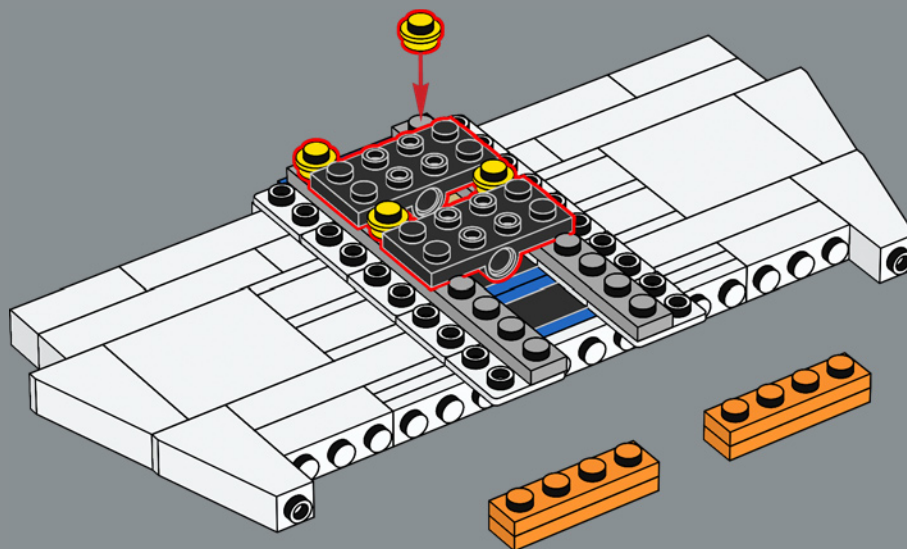


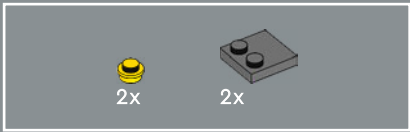


163

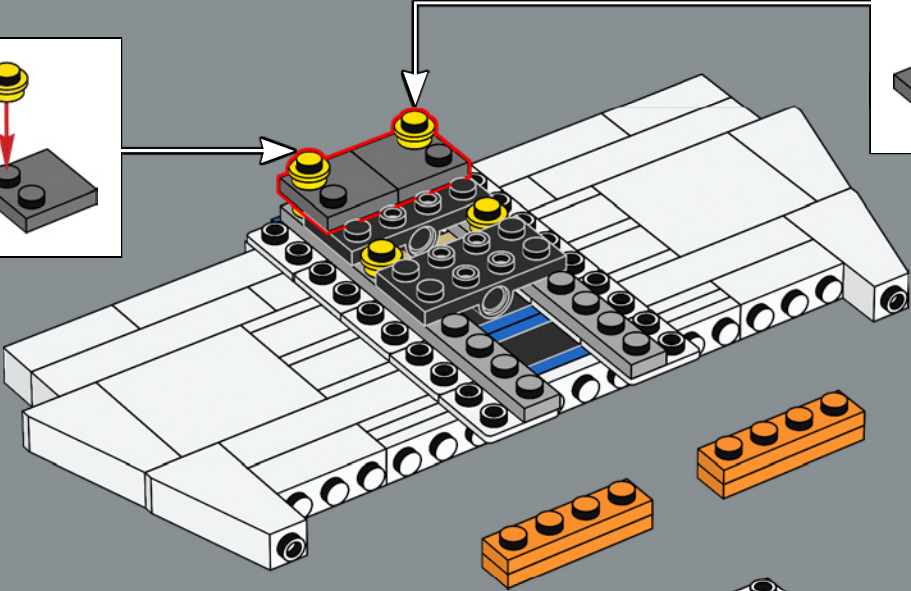
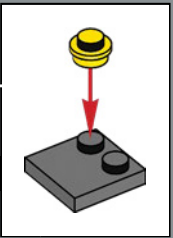
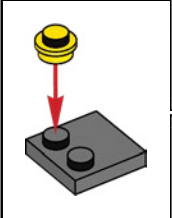


164

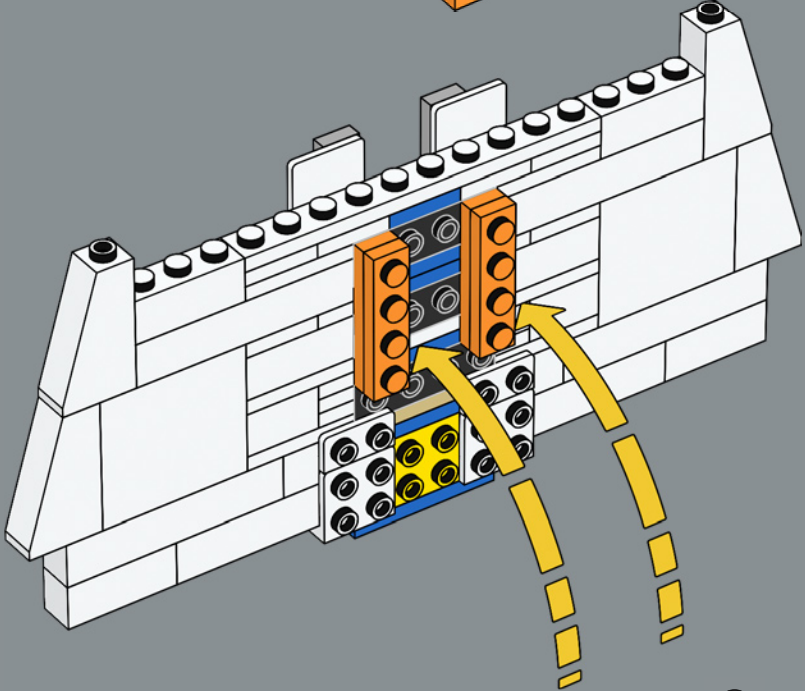




165

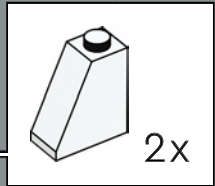
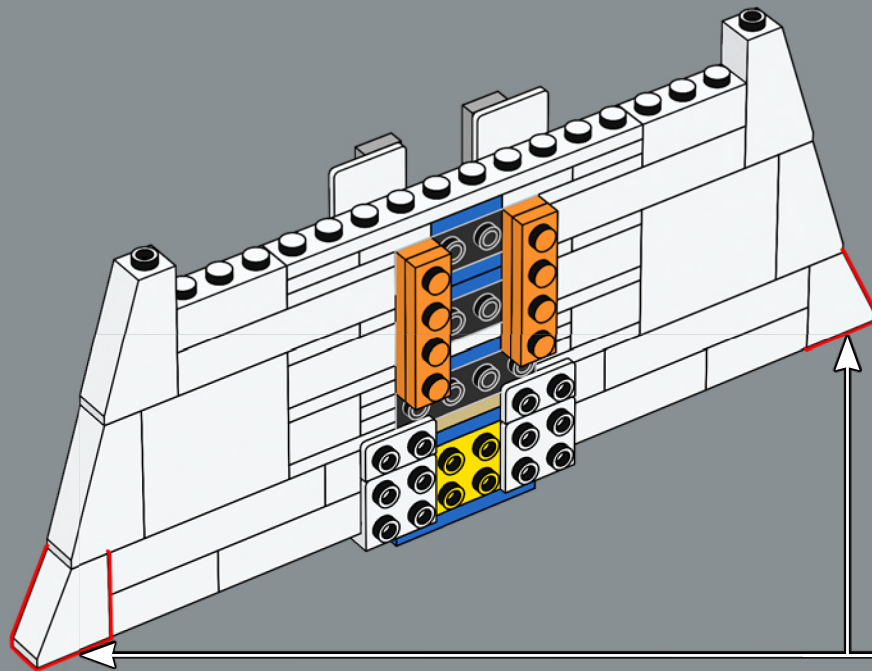


166

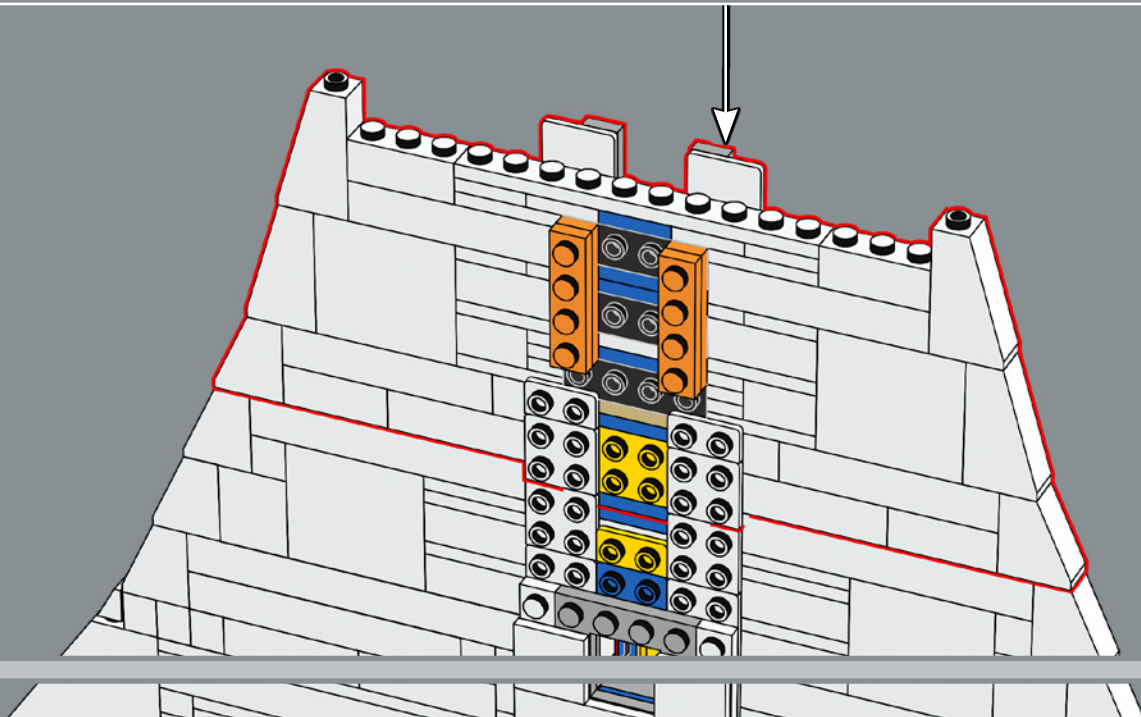


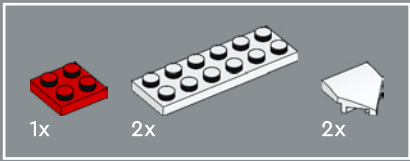


167

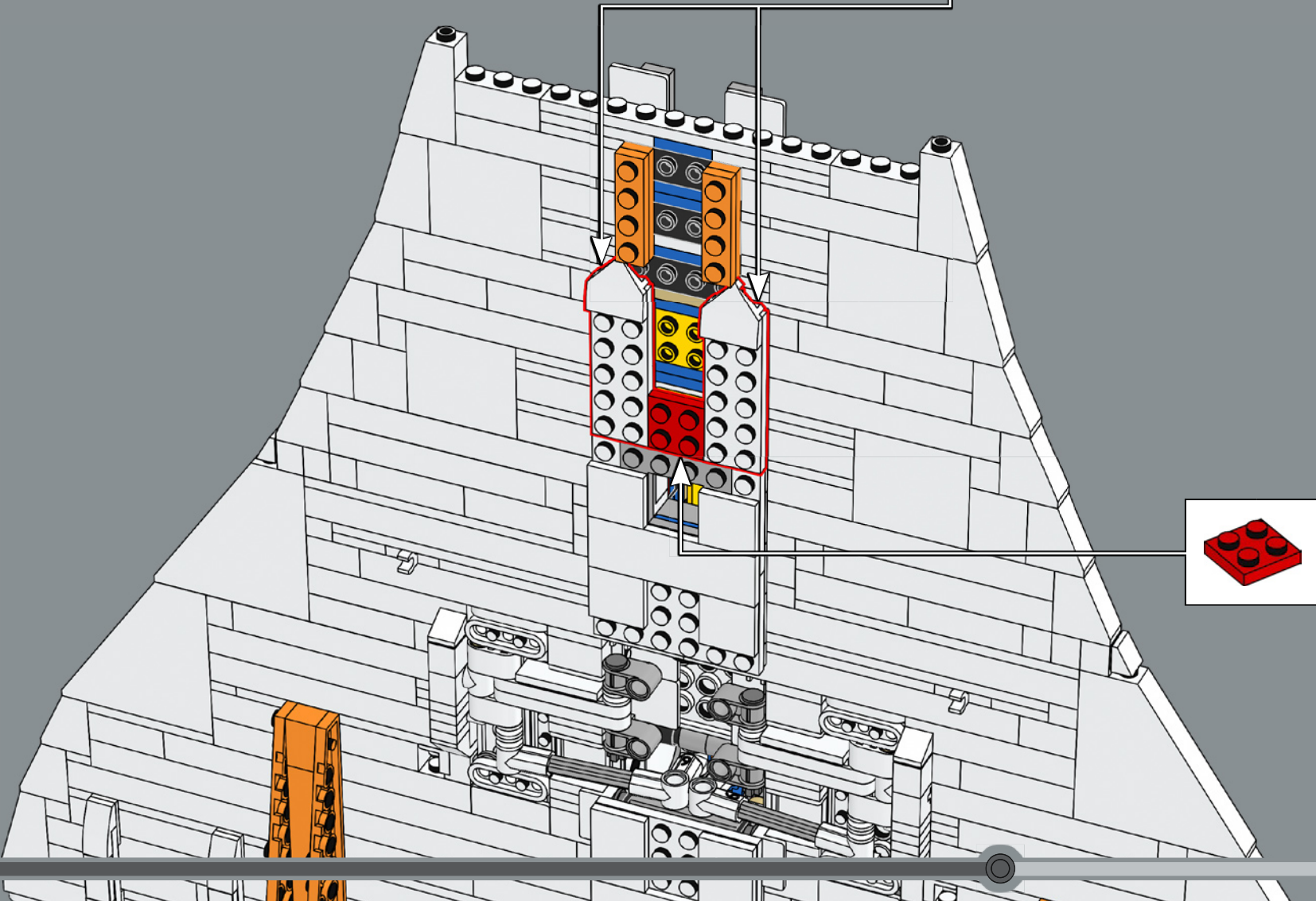
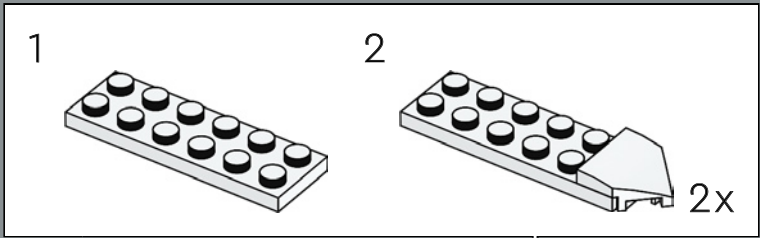


168

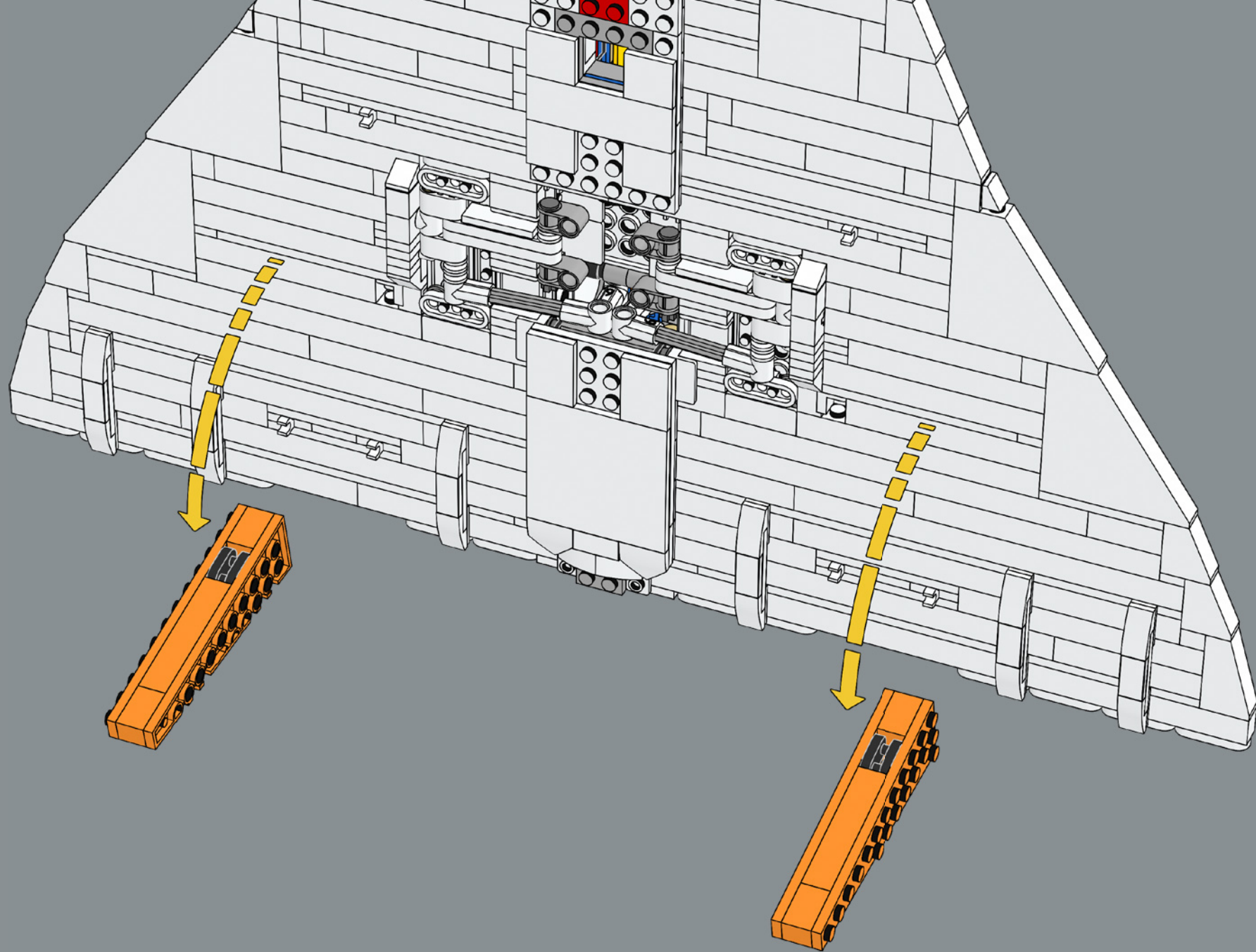


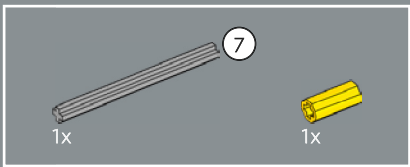


169

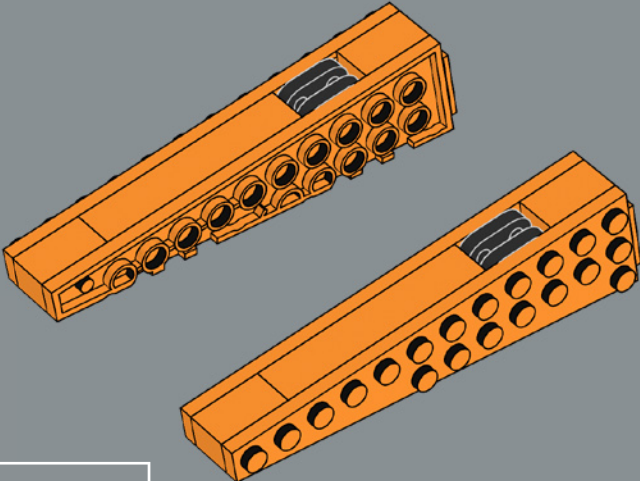
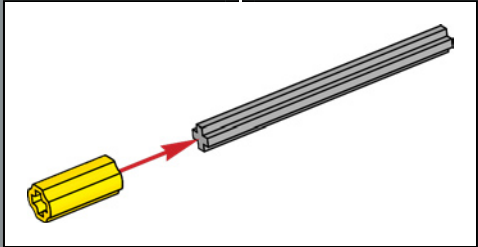
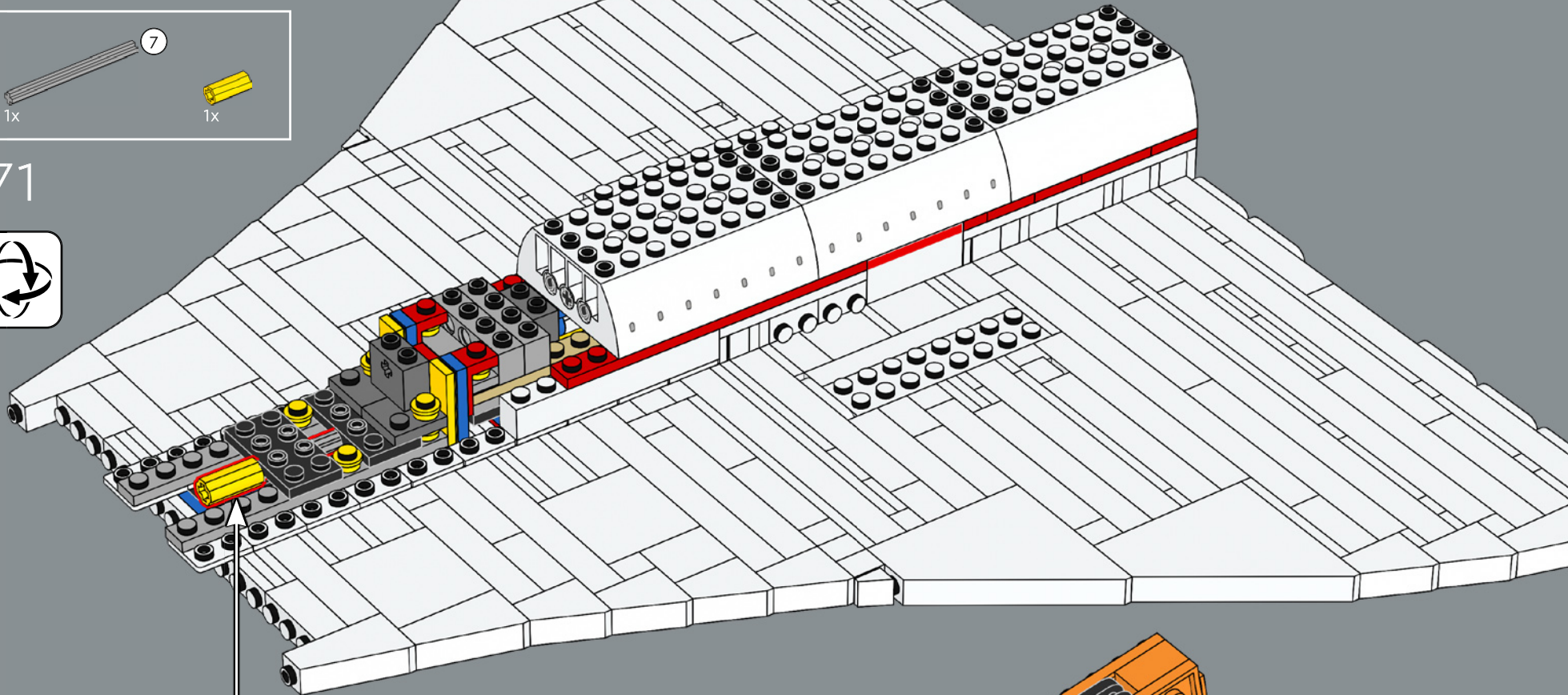


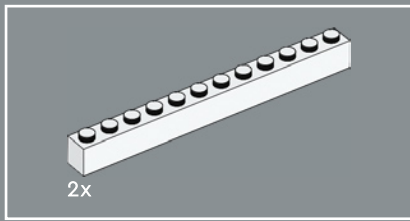
170



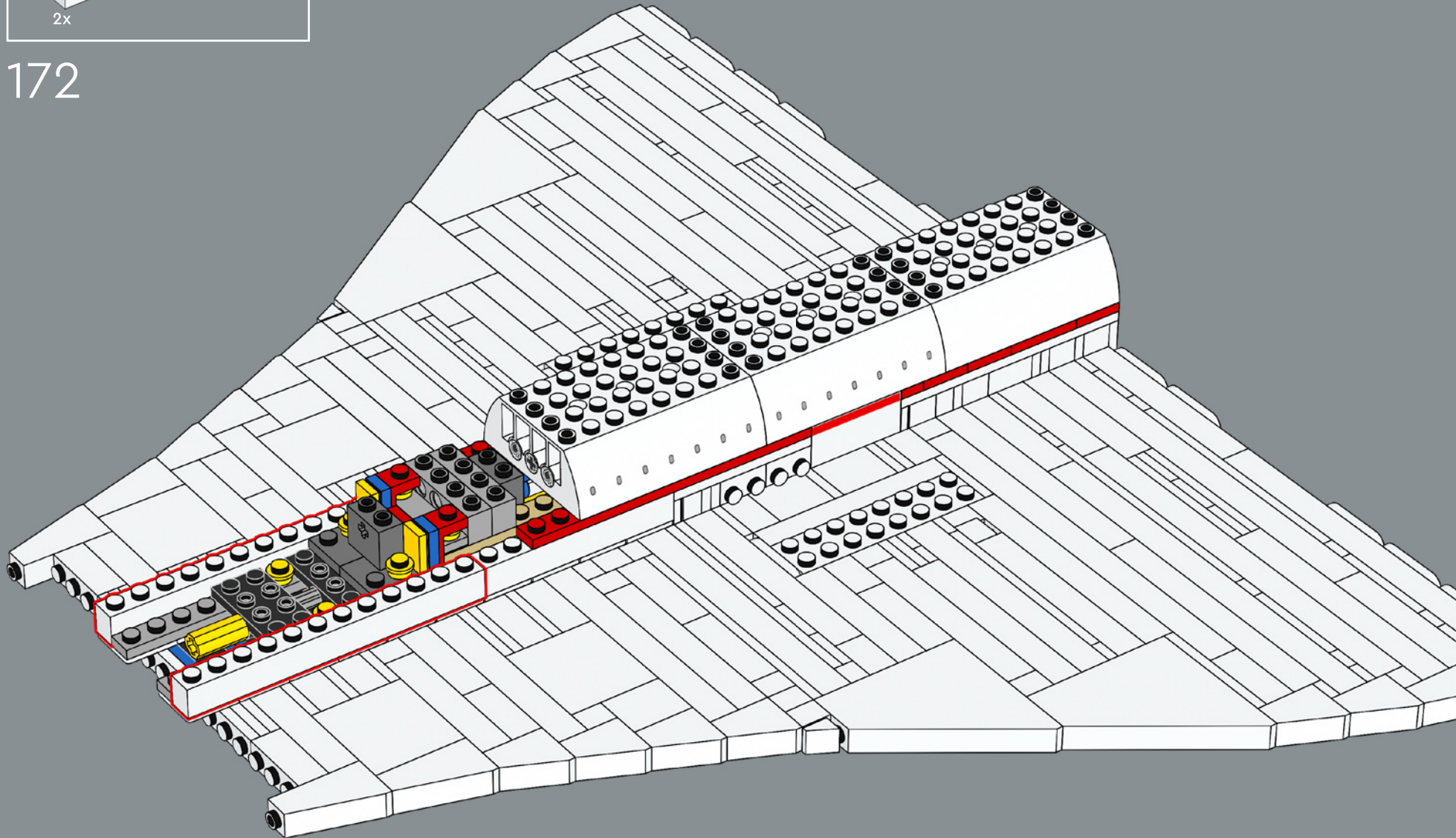


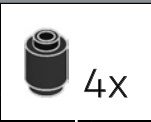
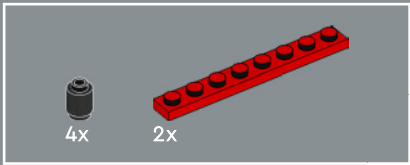
171



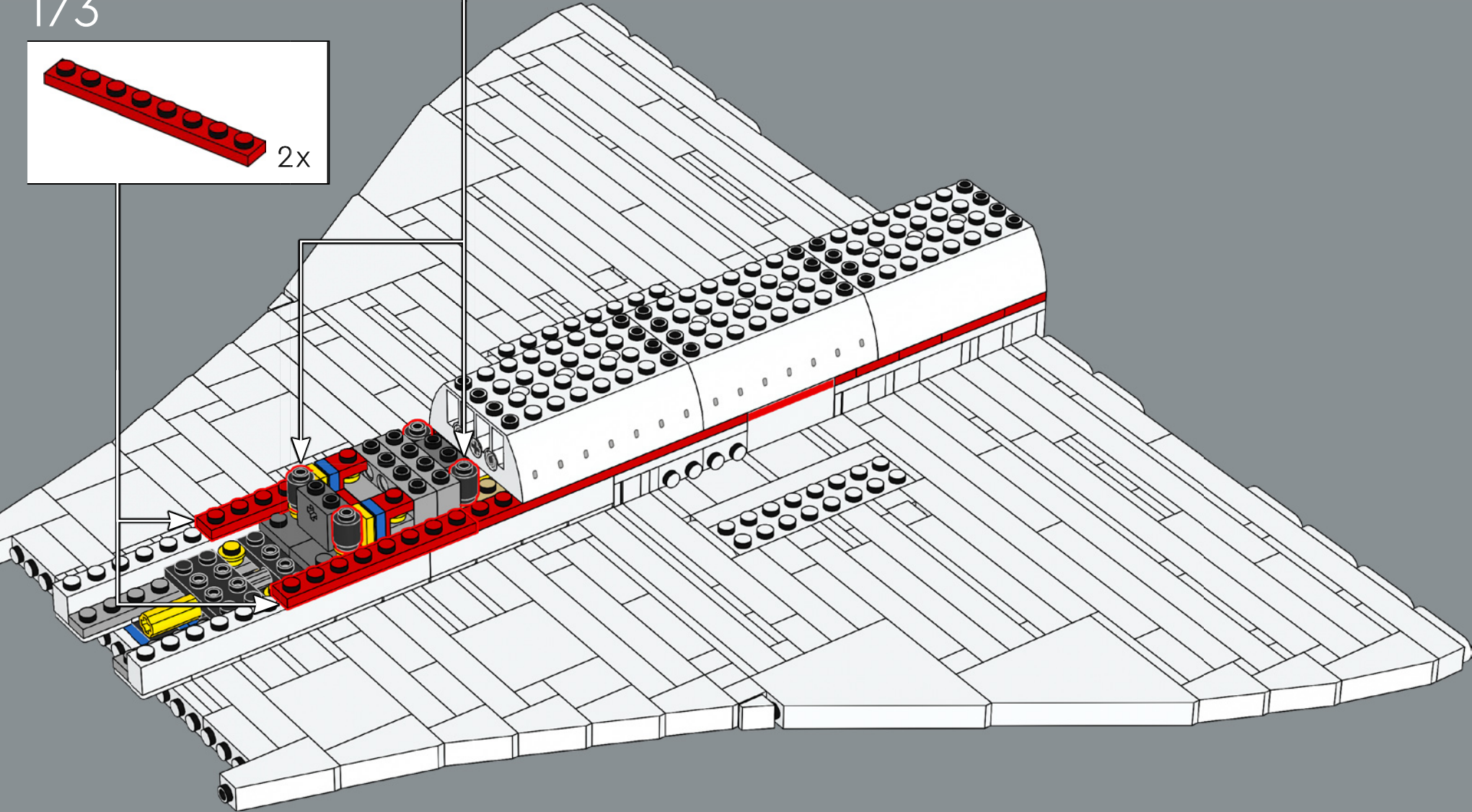
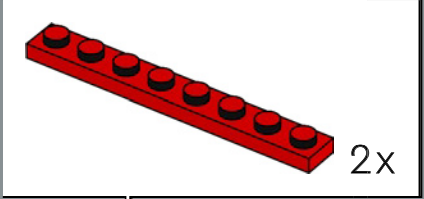


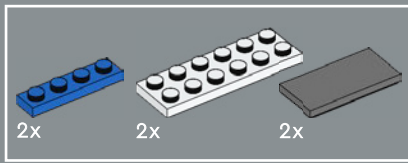
172



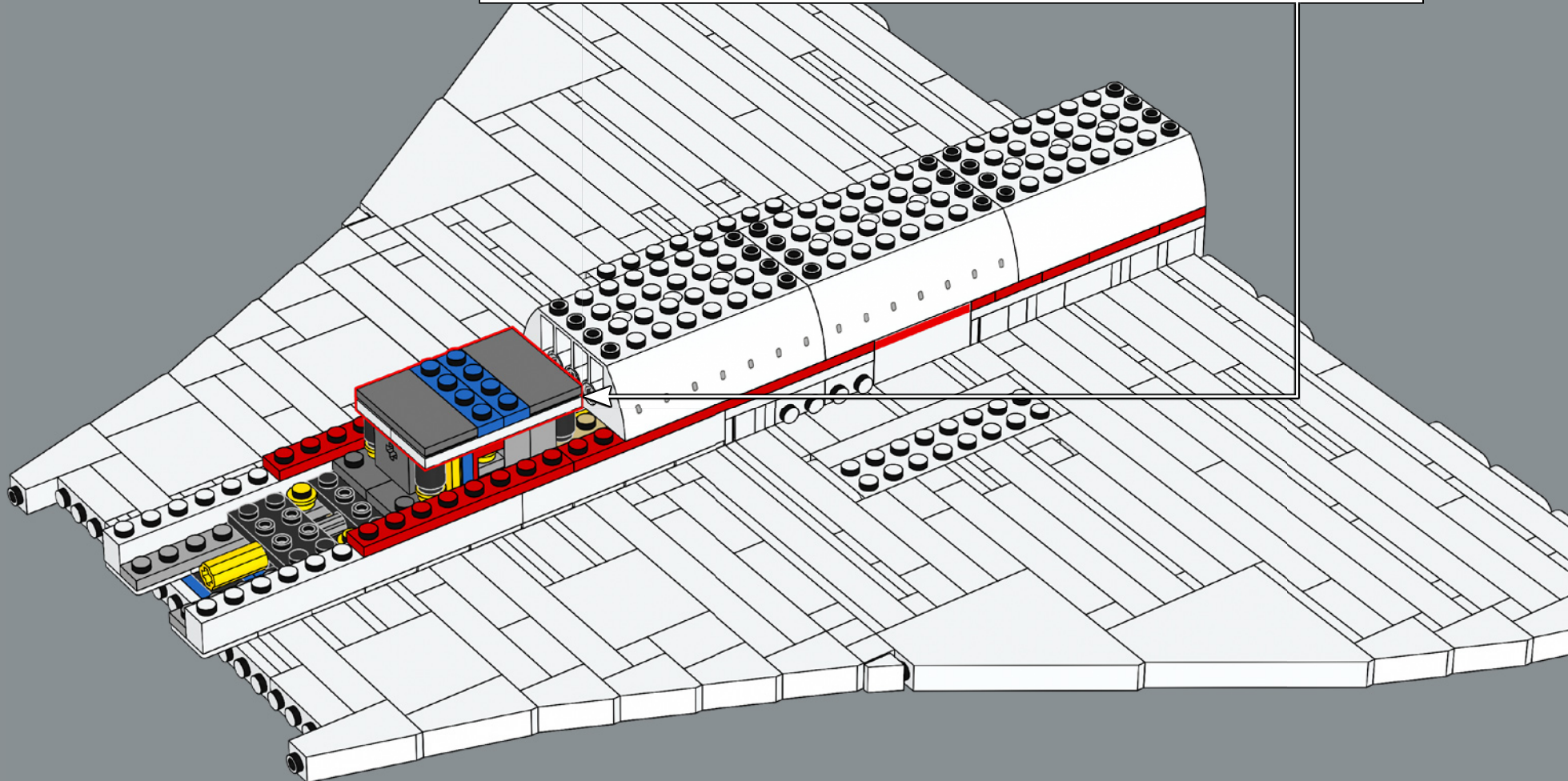
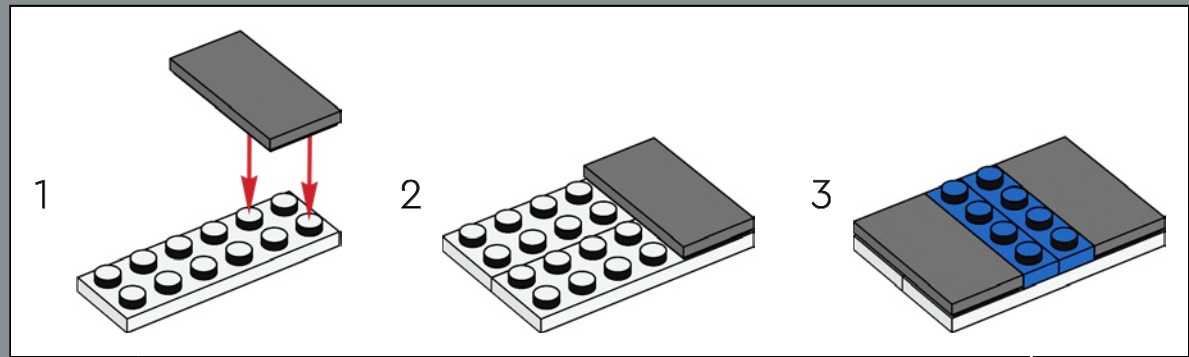


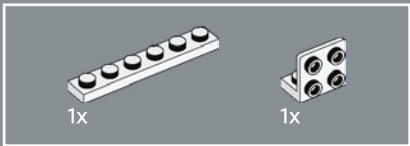
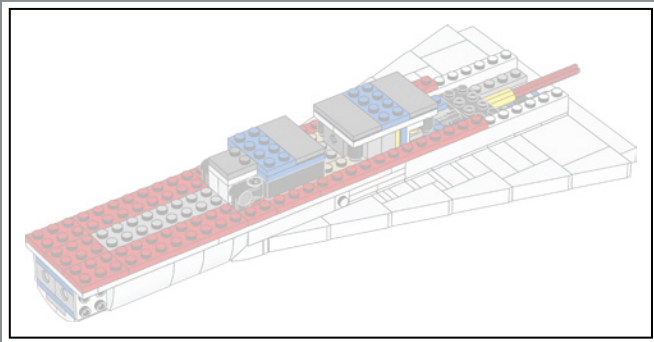
173



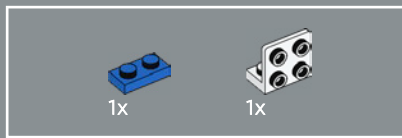
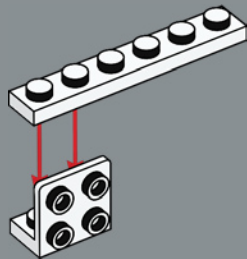


174

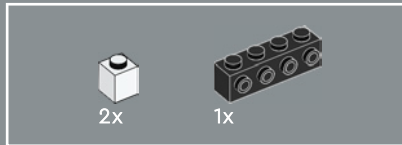
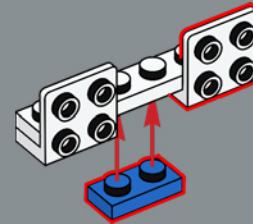




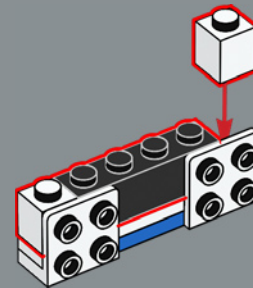
175

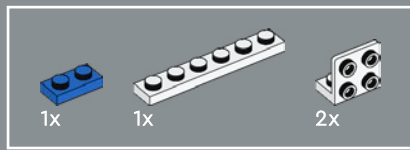


176

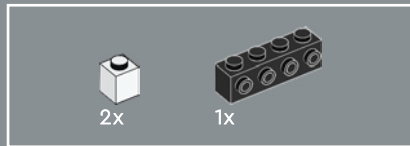
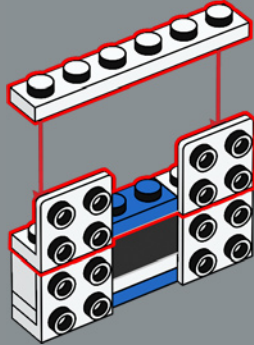


177

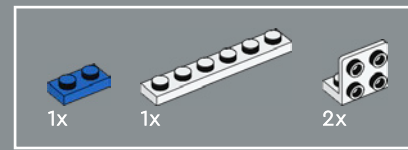
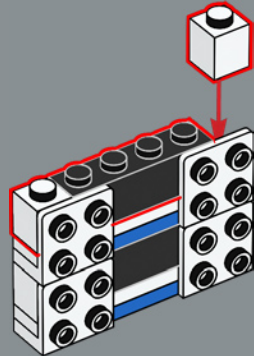




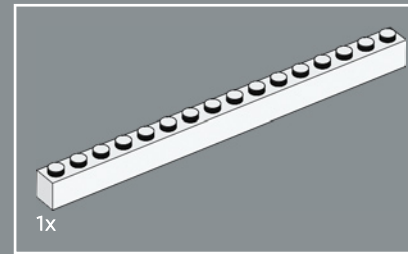
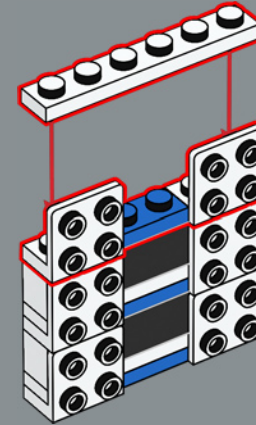
178



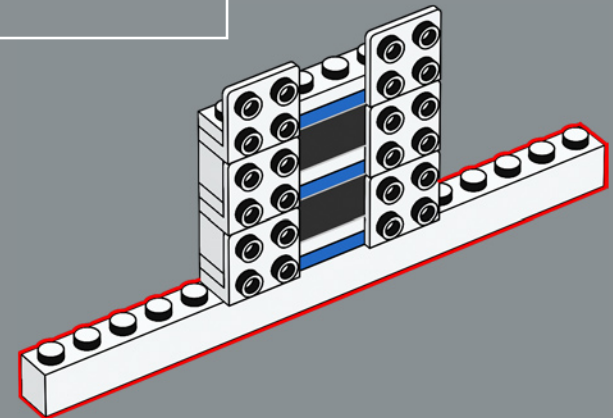
179

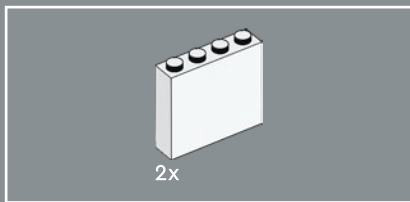


180

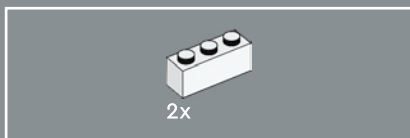
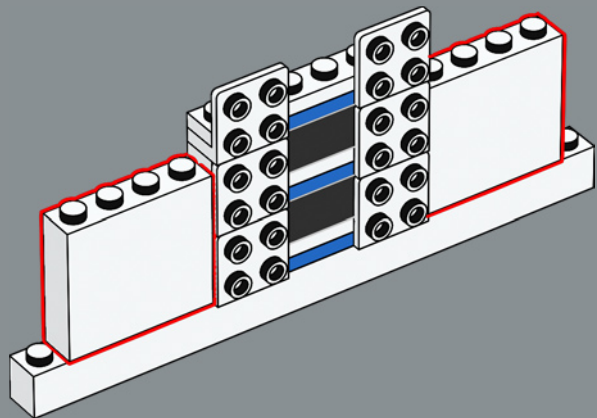


181

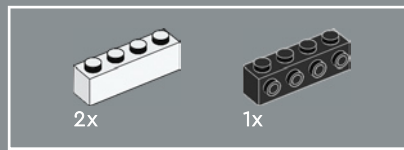
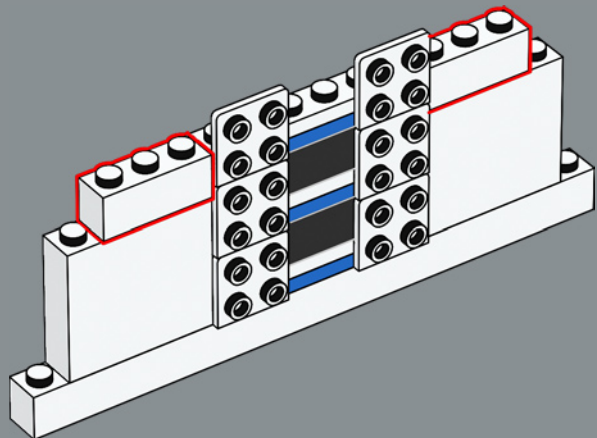




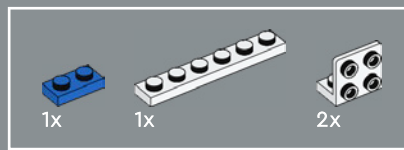
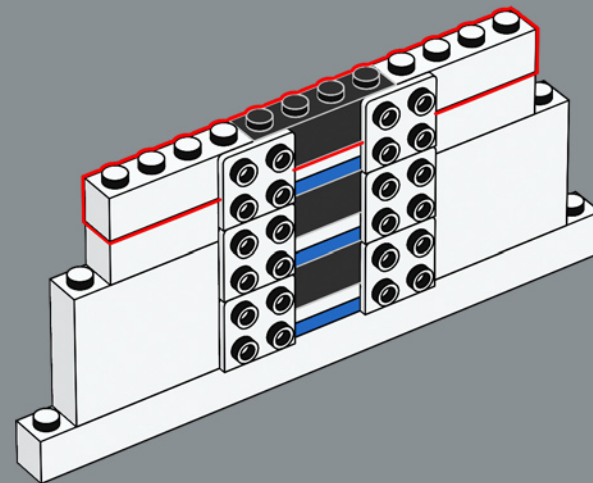
182



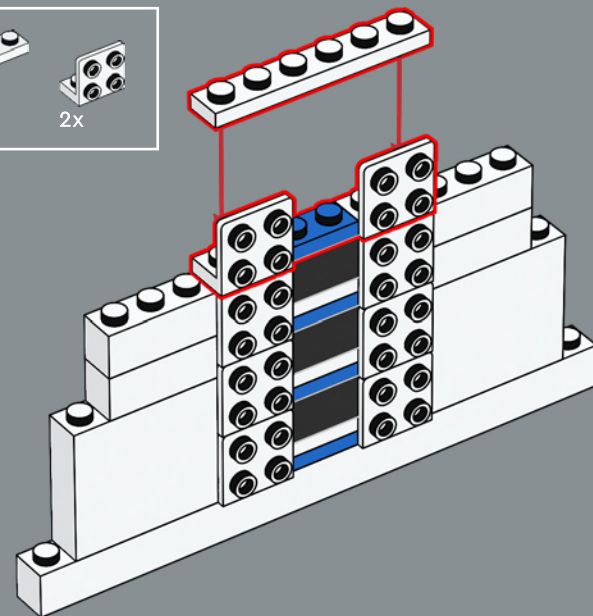
183

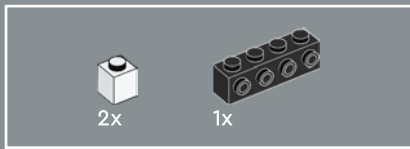


184

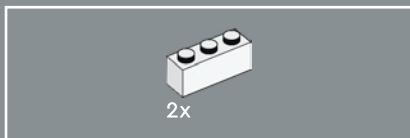
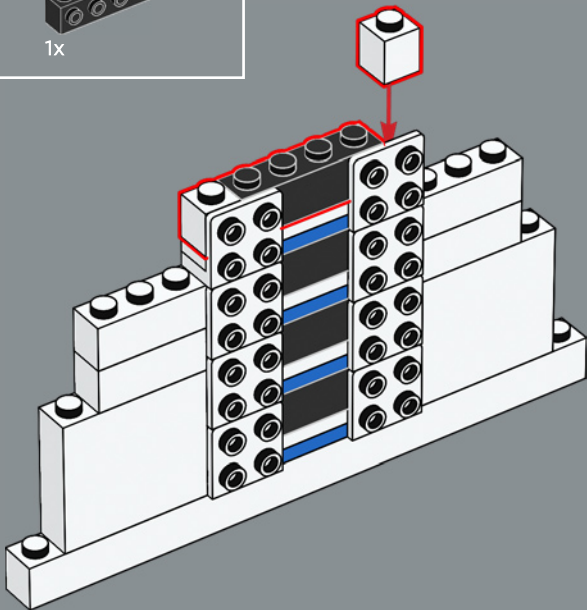


185

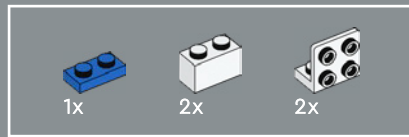
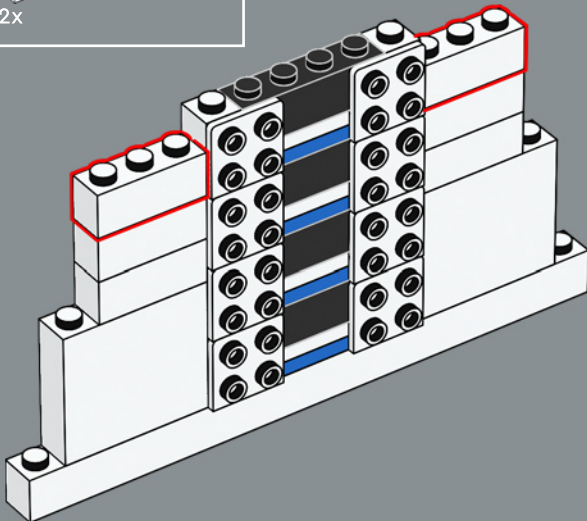




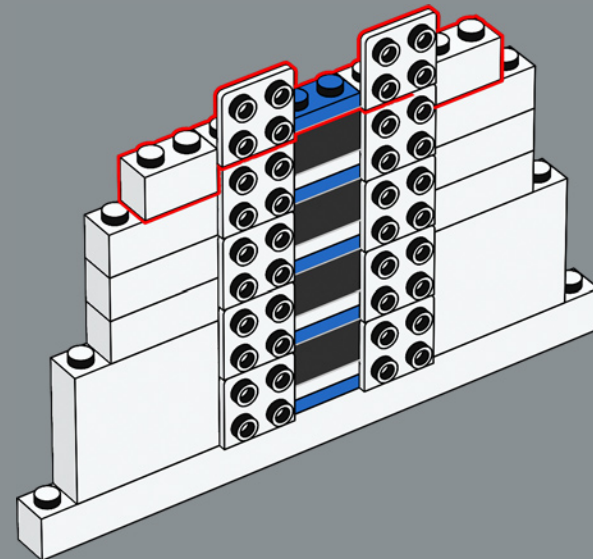
186

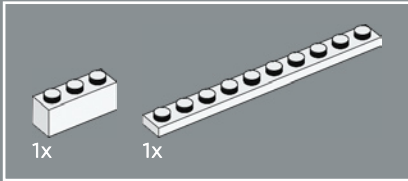
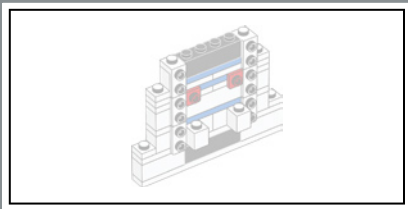


187

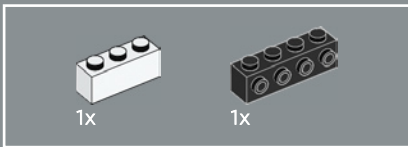
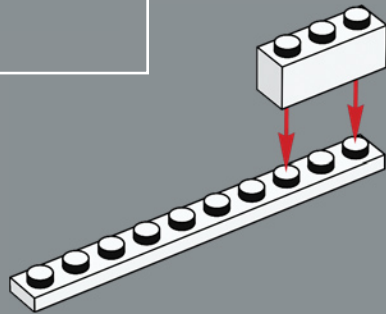


188

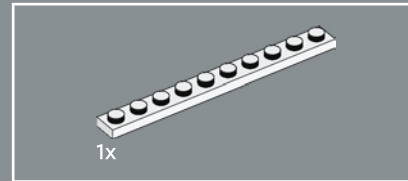
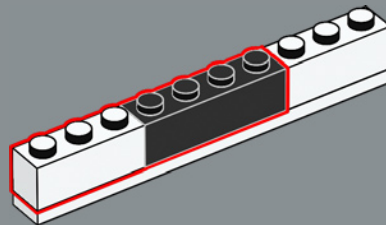




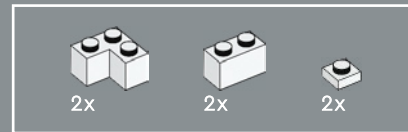
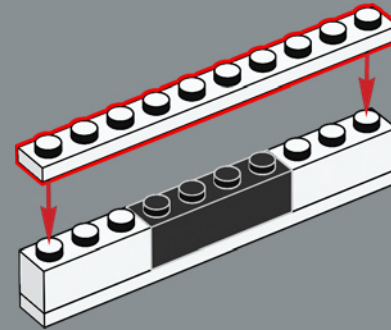
189



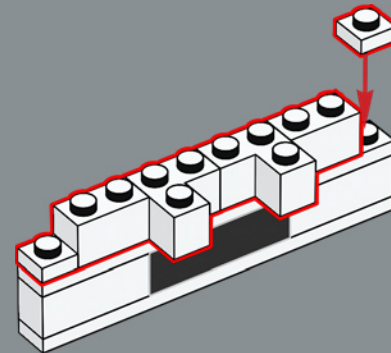
190

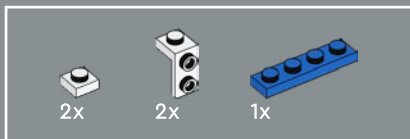


191

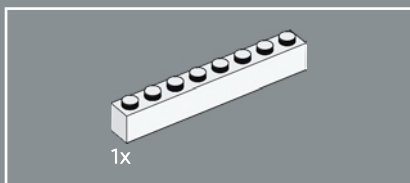
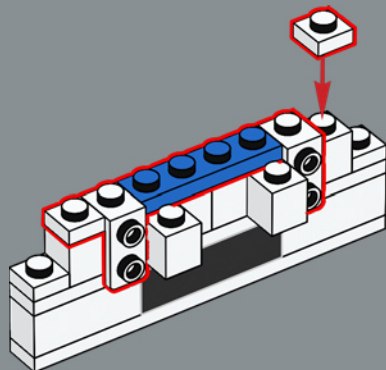


192

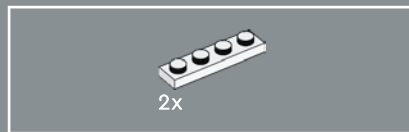
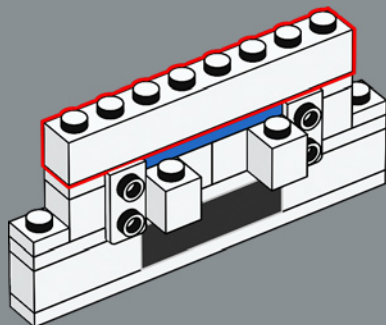




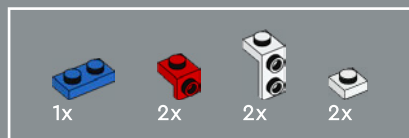
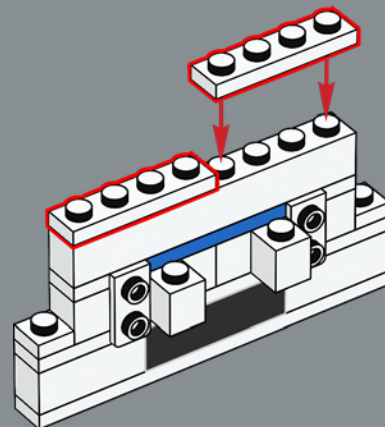
193



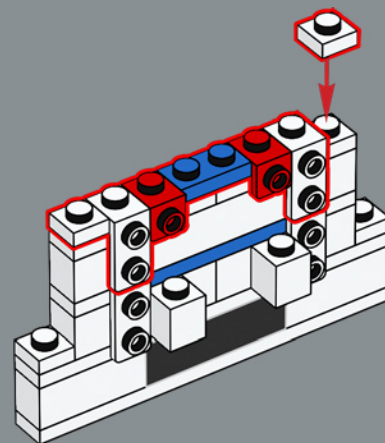
194

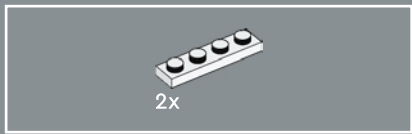


195

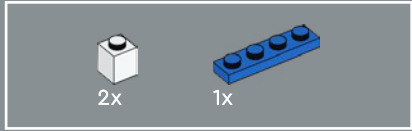
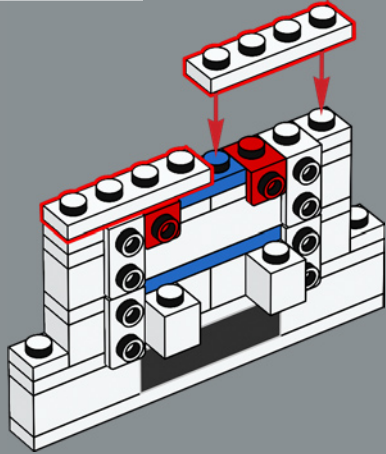


196

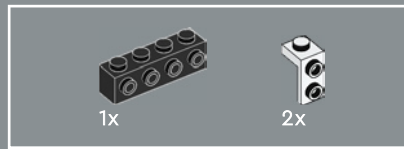
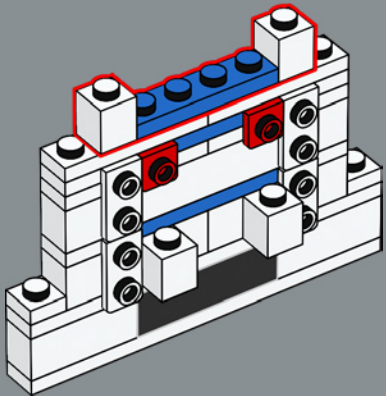




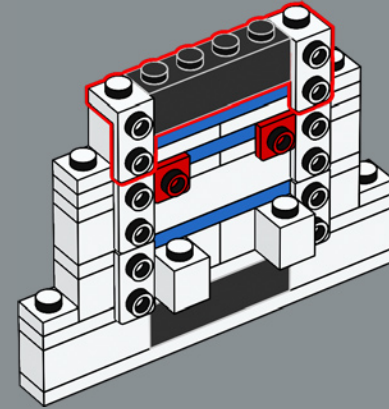
197



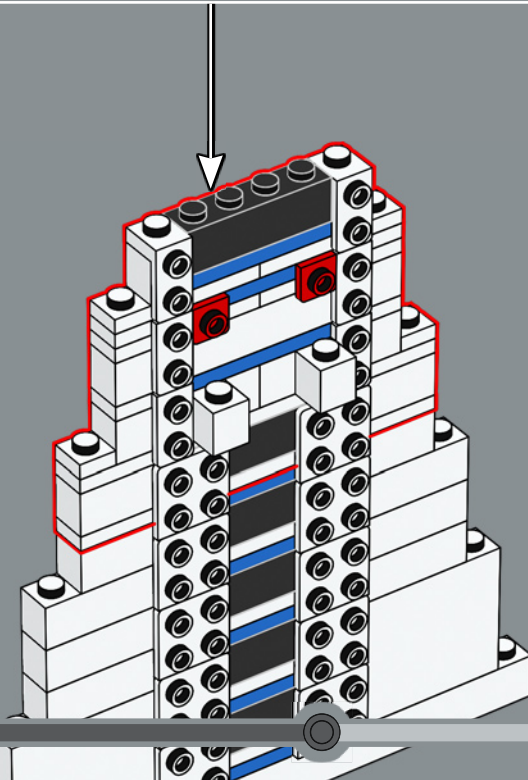
198

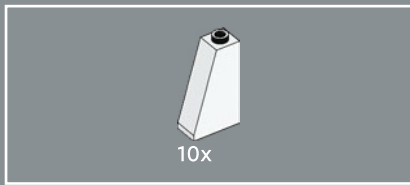


199

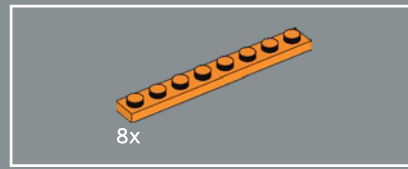
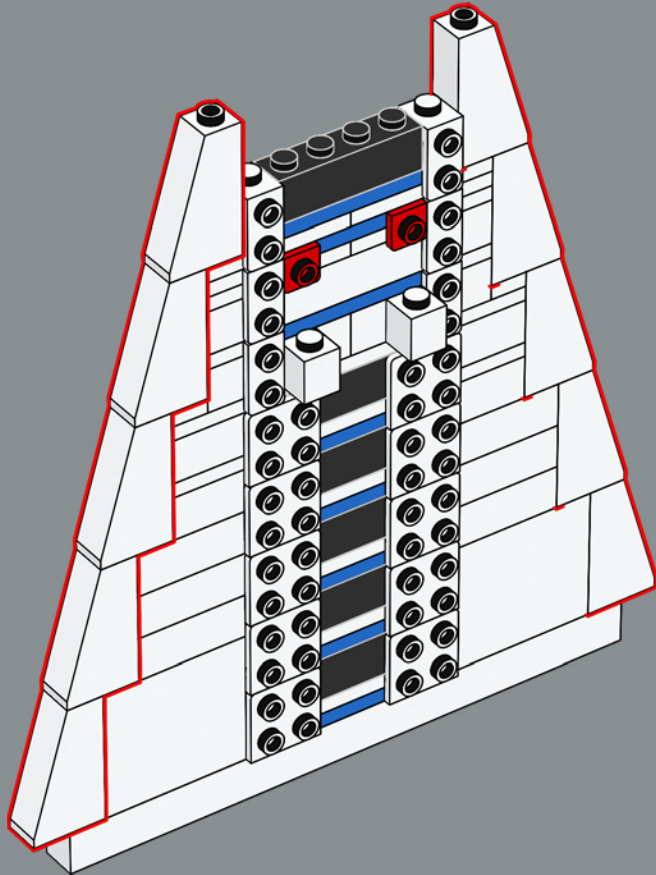


200

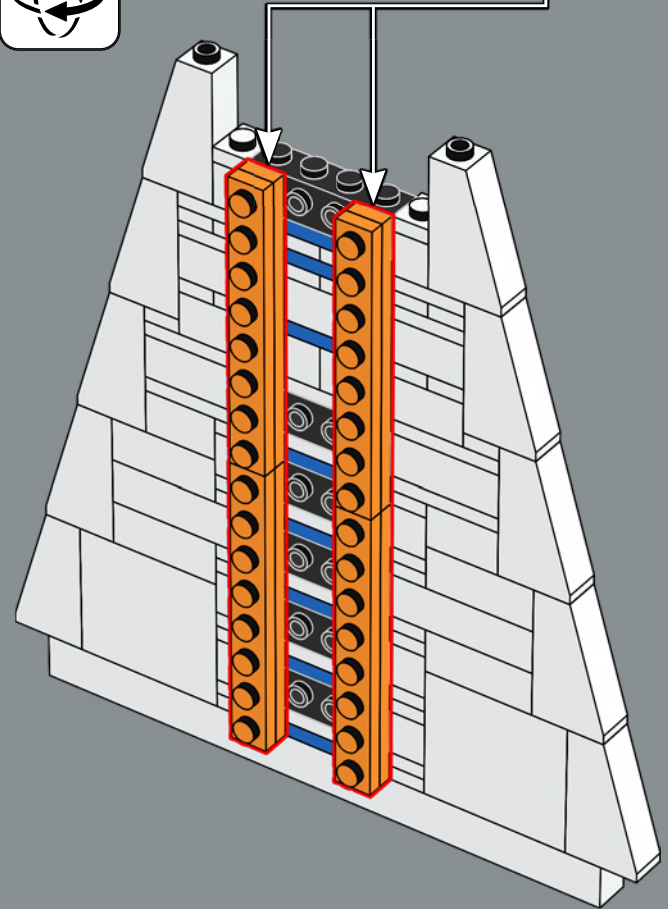
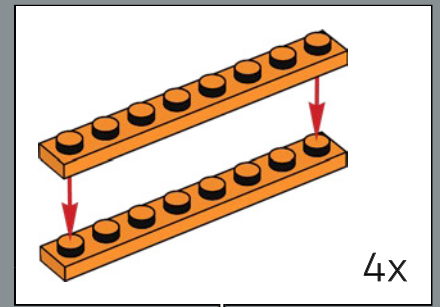


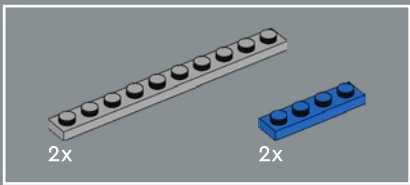


201

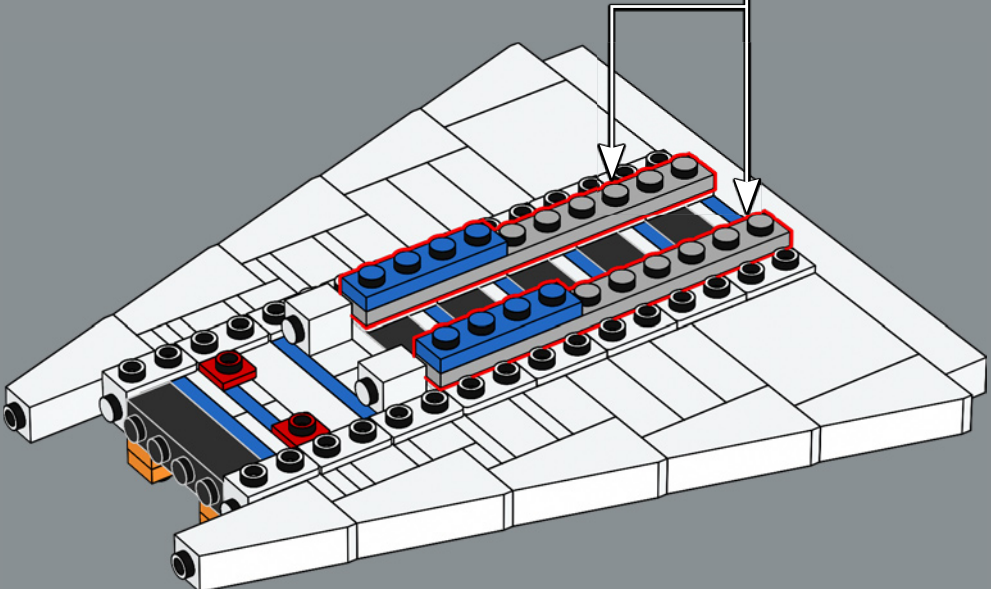
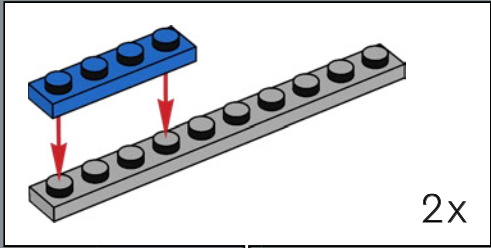


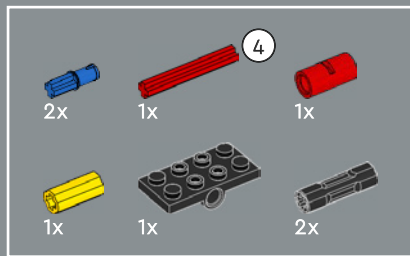
202



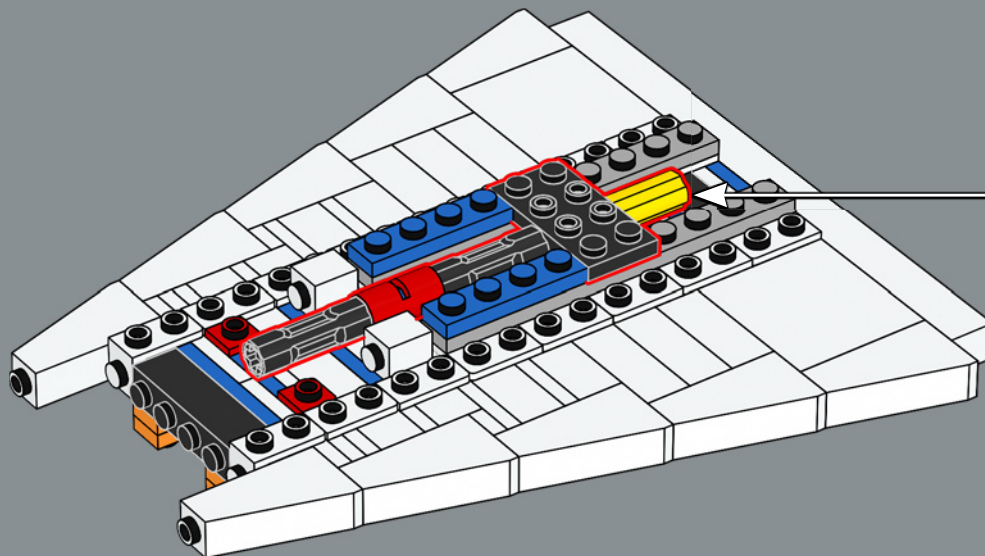
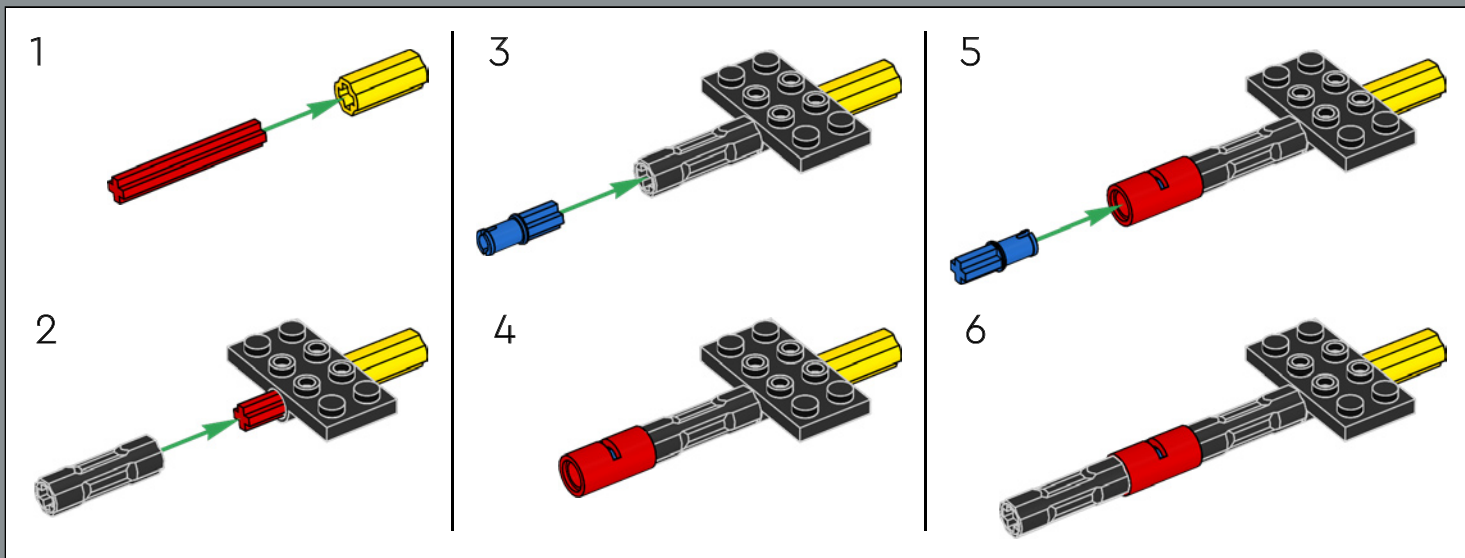


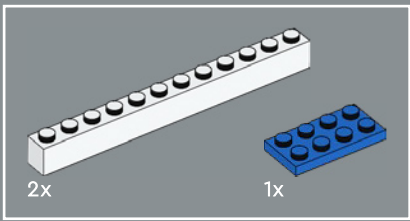
203





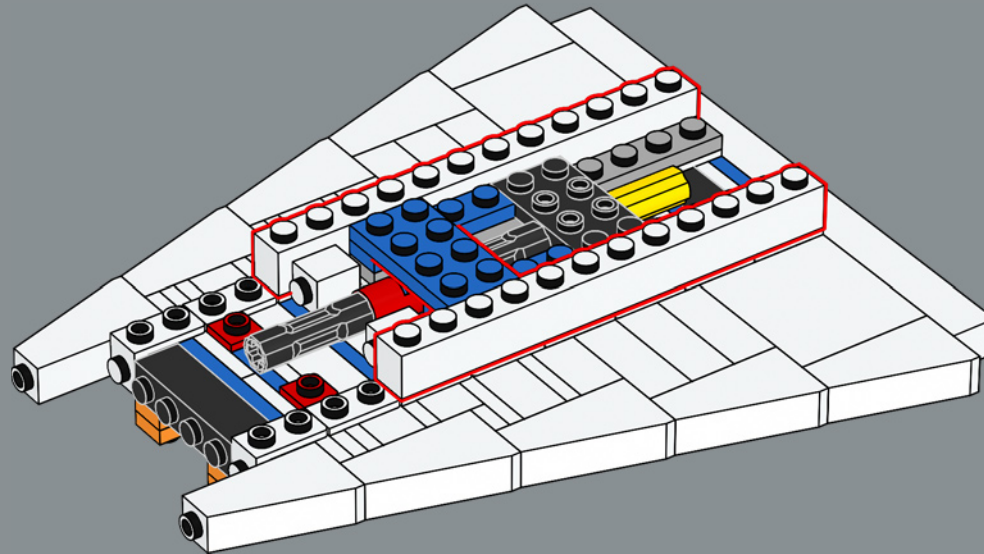
204

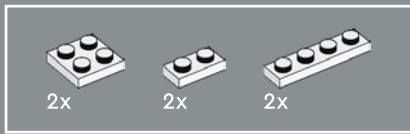




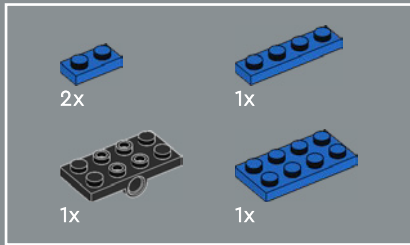
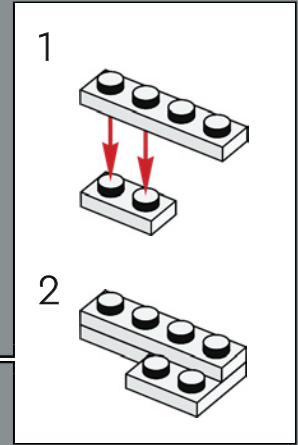
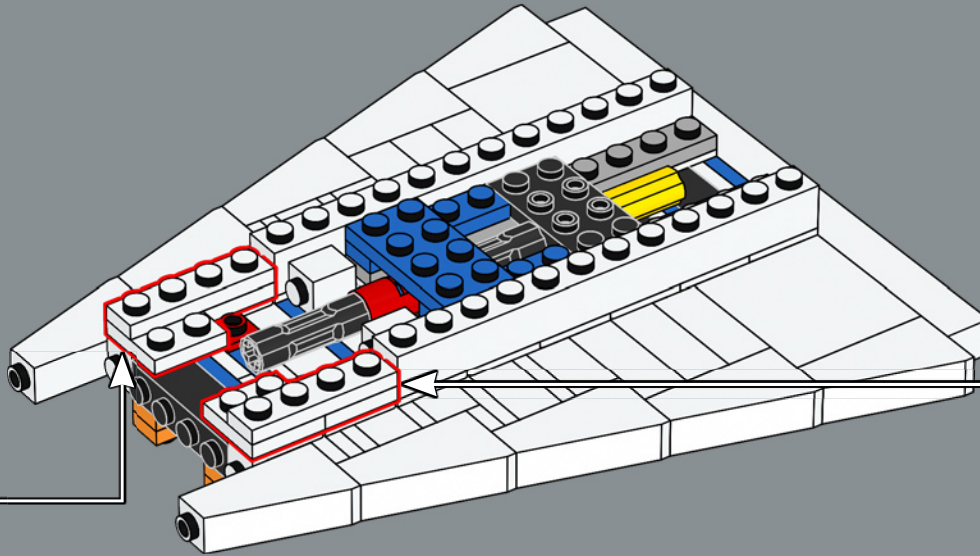
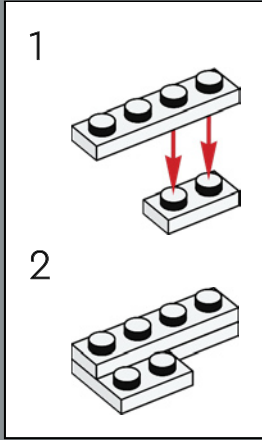
This clutch was an elegant solution to ensuring that the forward and rear landing gear remain synchronised when your model comes in for landing!

205

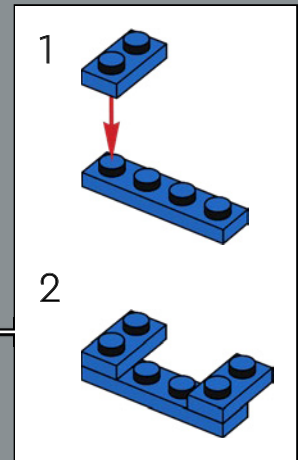
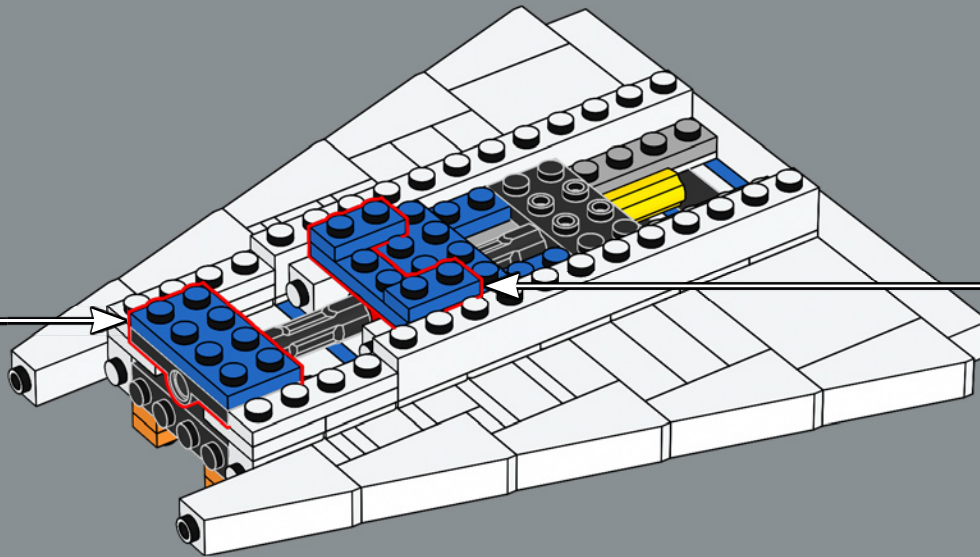
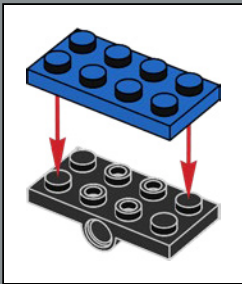


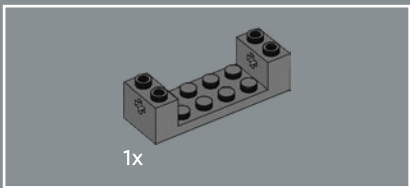


206

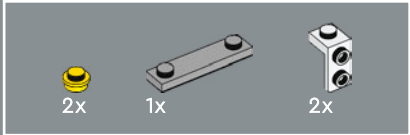
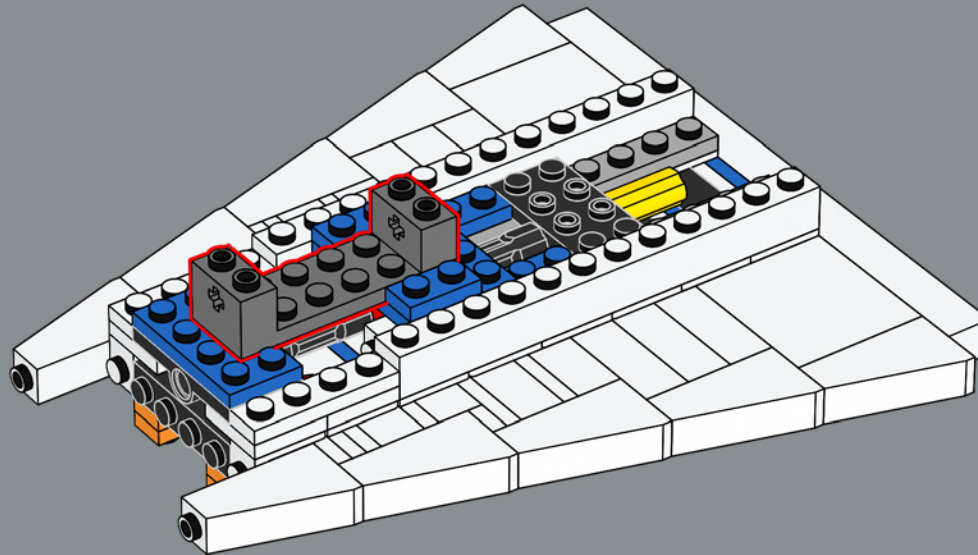


207

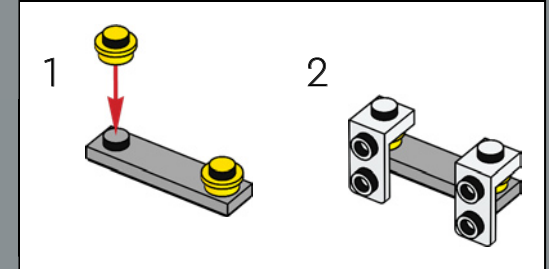
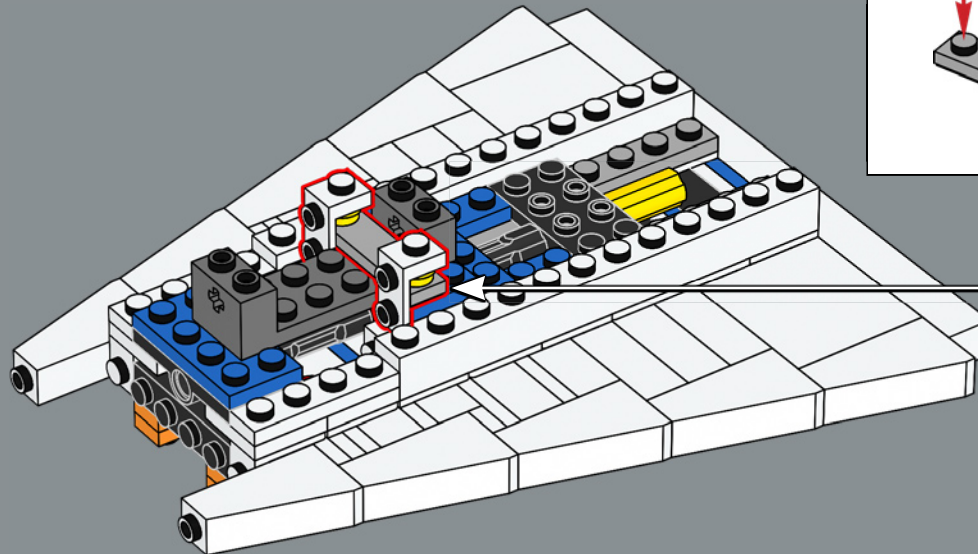


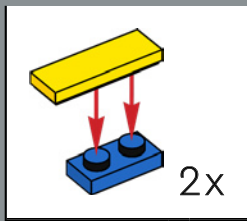
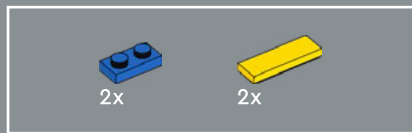


208

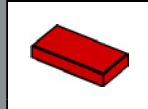
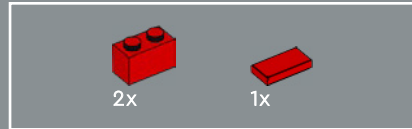
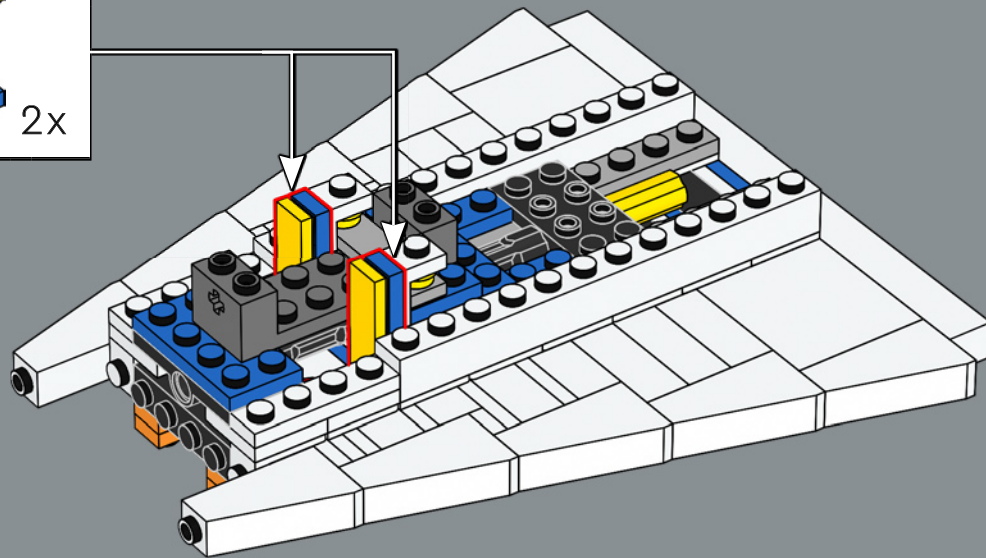


209

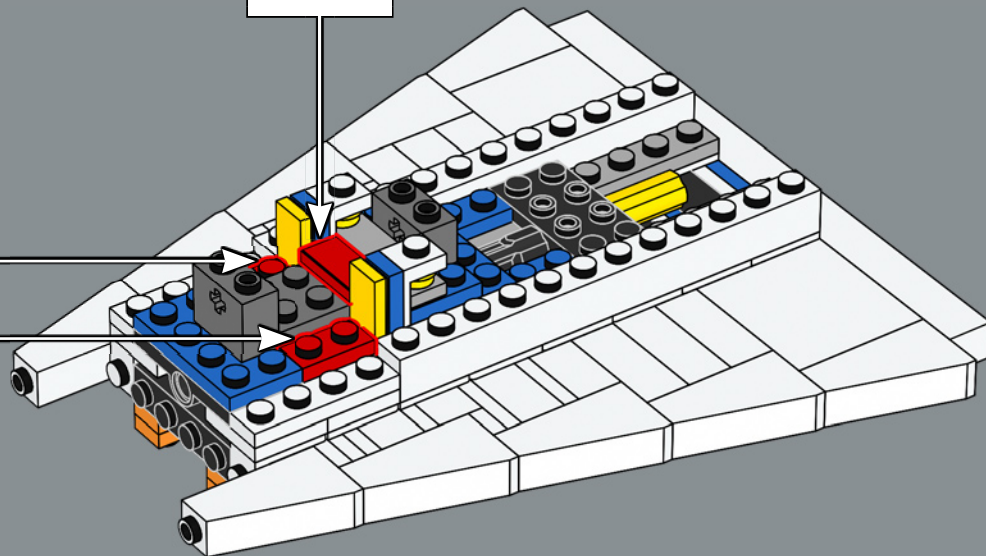
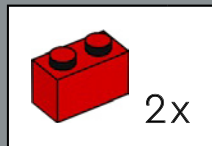


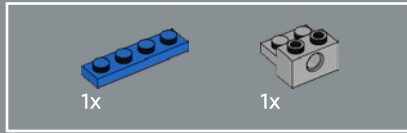
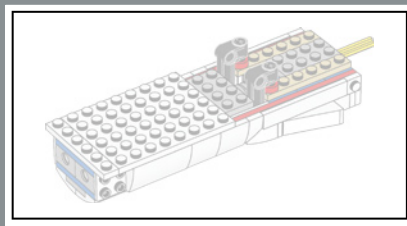


210

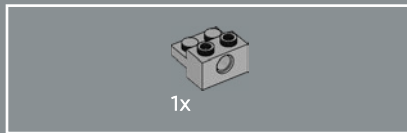
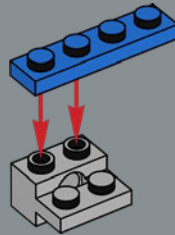


211

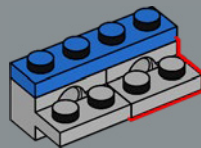




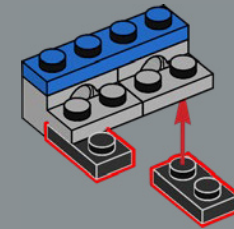
212



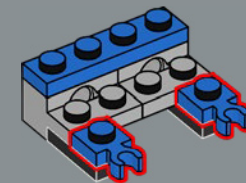
213

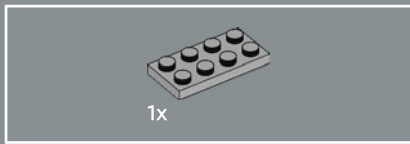


214

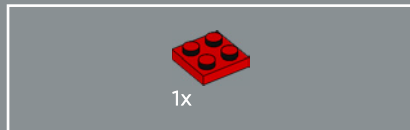
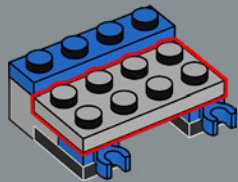


215

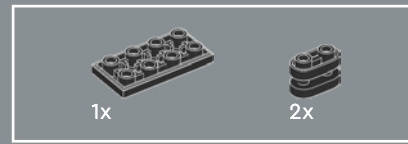
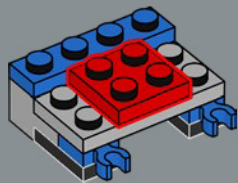




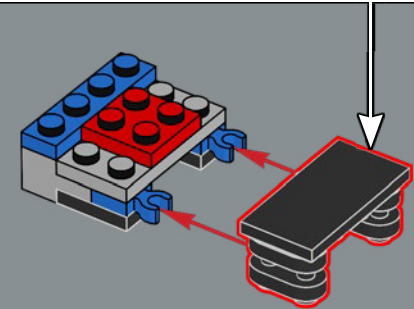
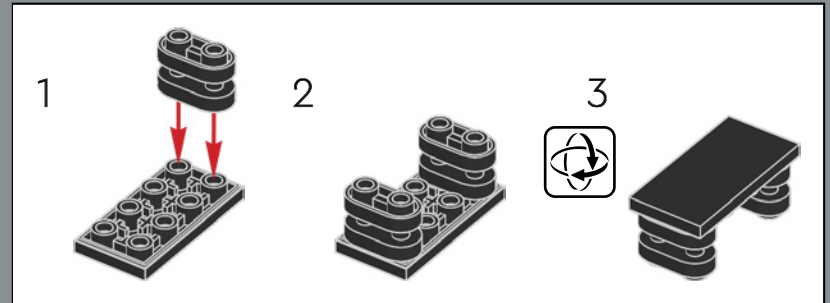
216

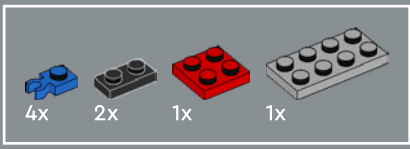


217

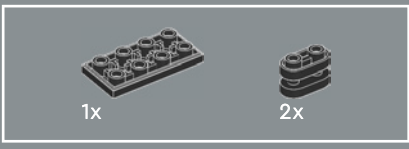
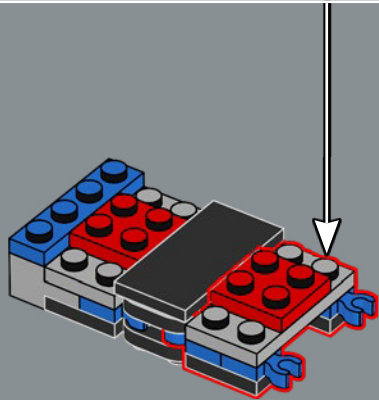
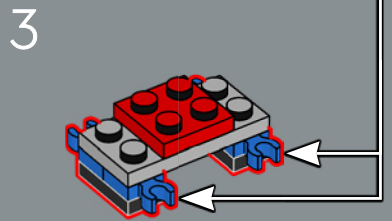
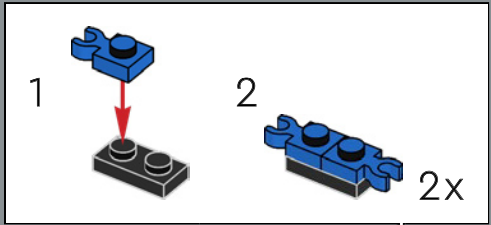
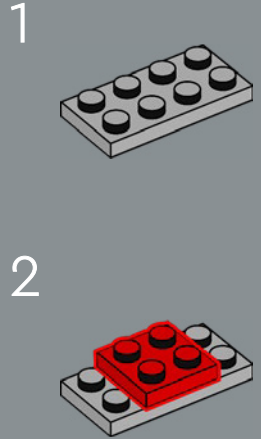


218

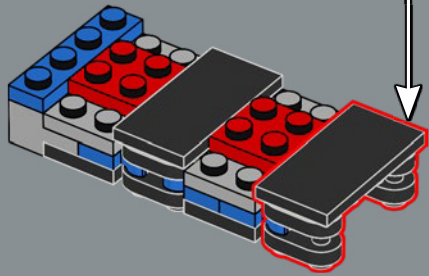
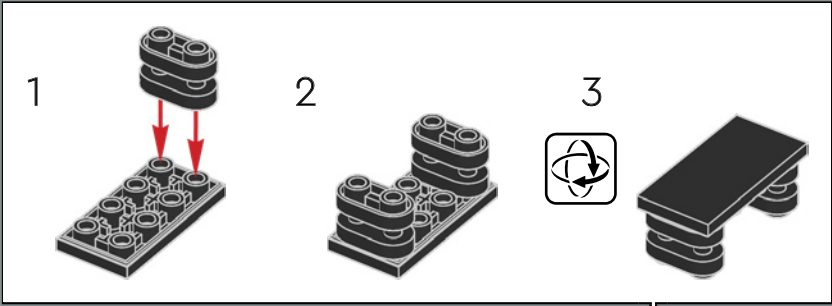


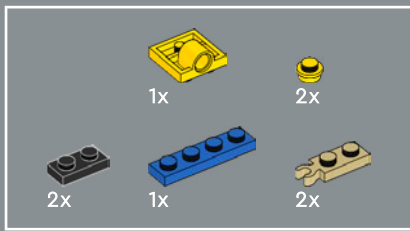


219

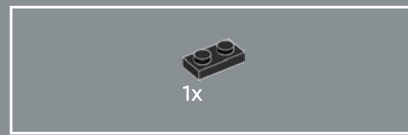
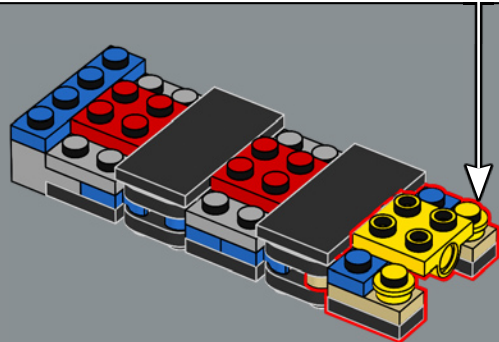
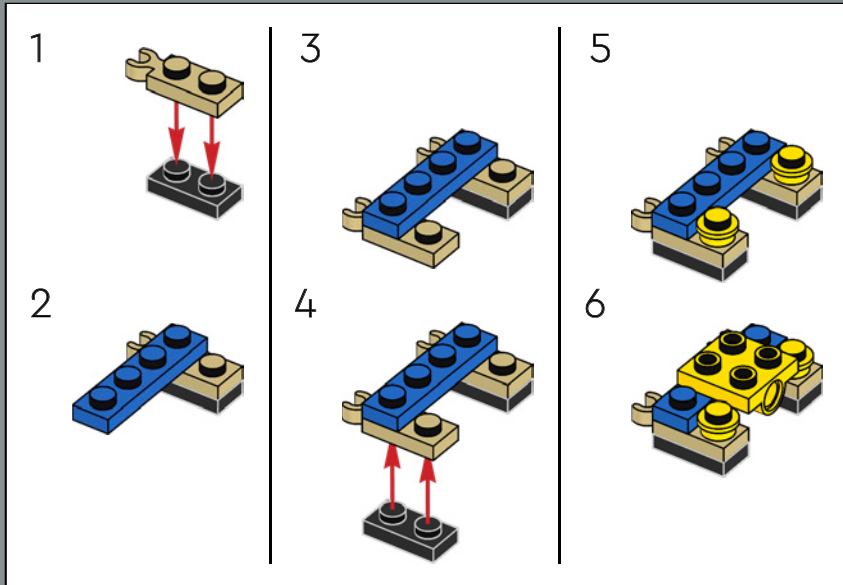


220

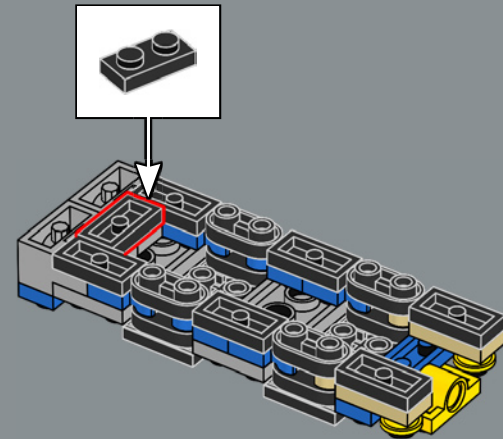


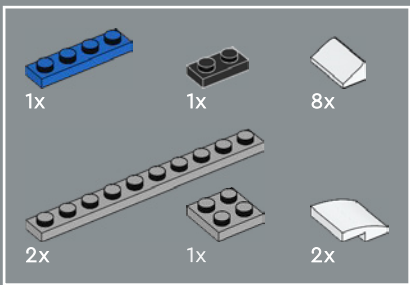


221

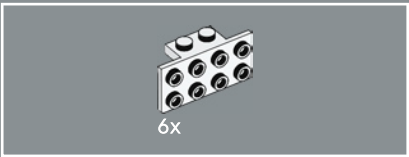
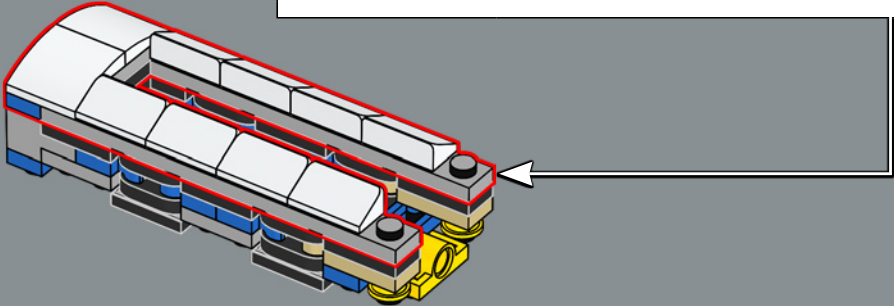
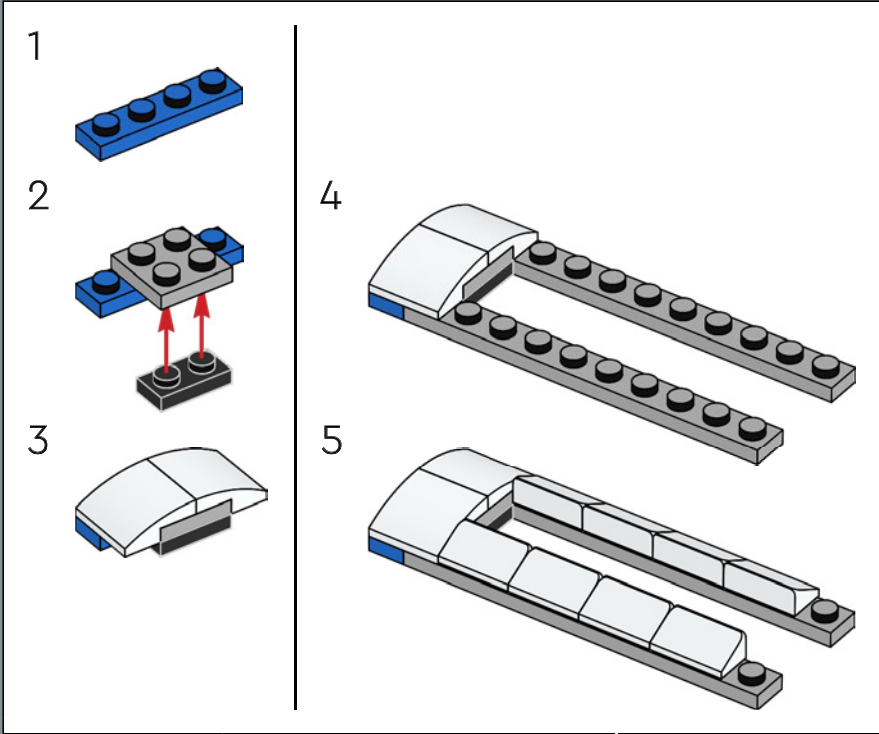


222

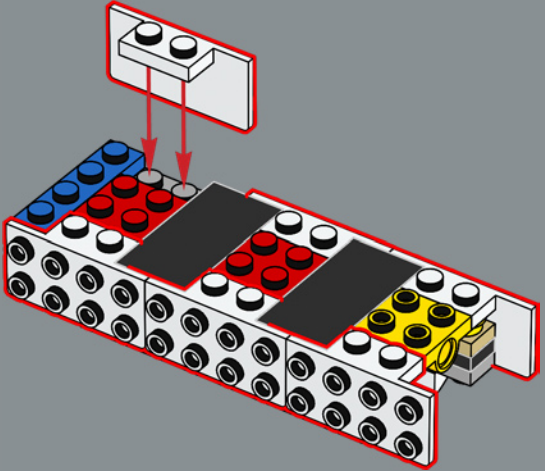


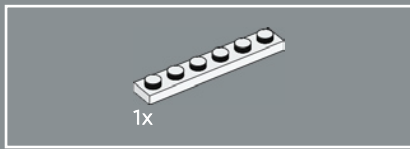


223

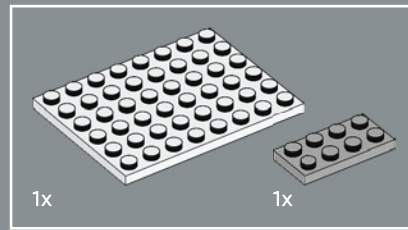
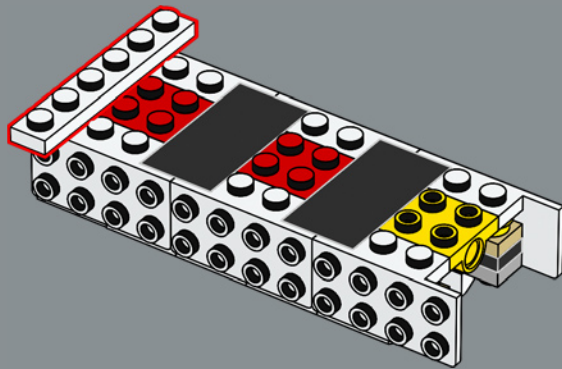


224

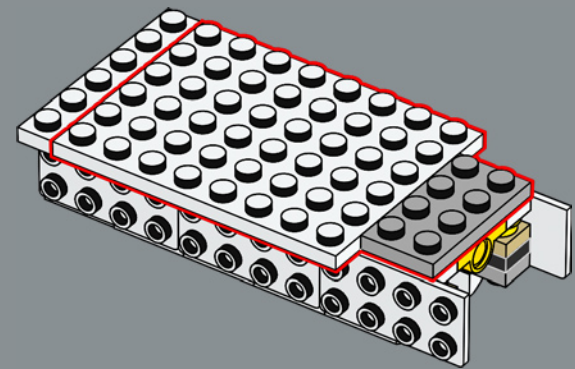


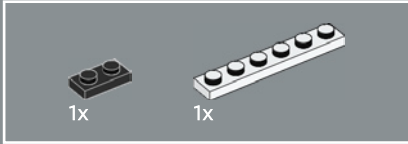
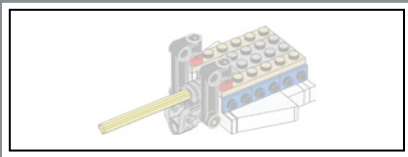


225

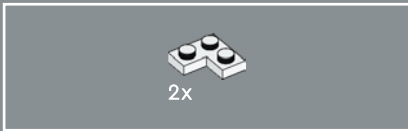
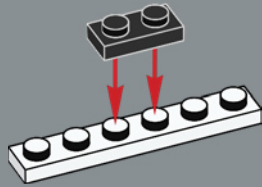


226

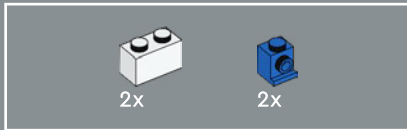
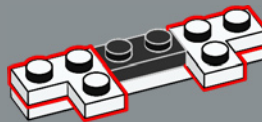




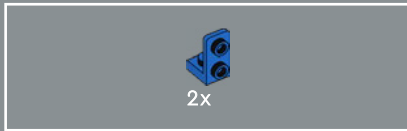
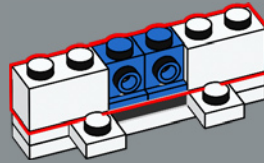
227



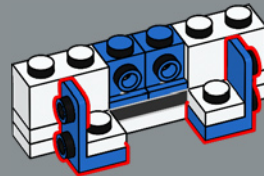
228



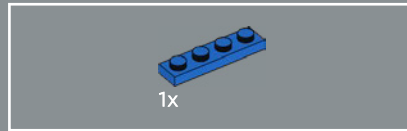
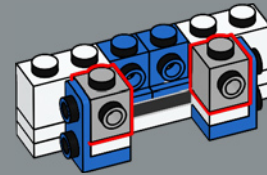
229



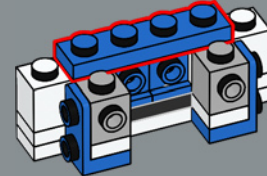
230

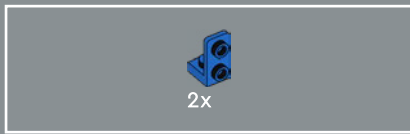


231

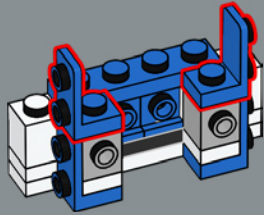


232

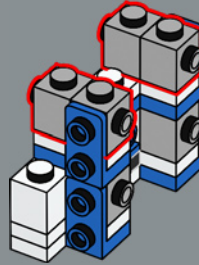




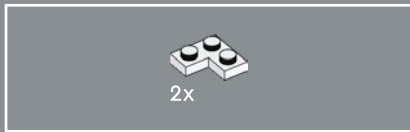
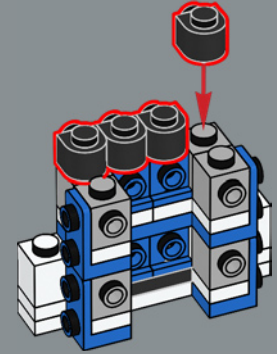
233



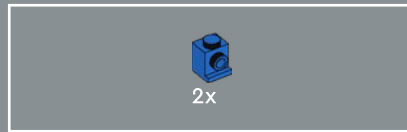
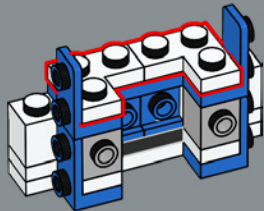
235



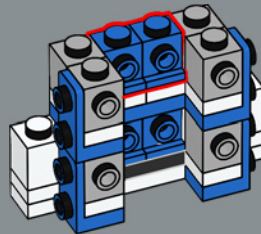
237



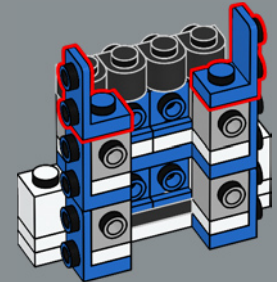
234



236

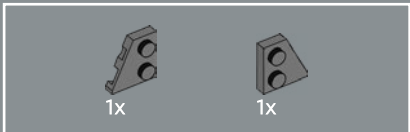
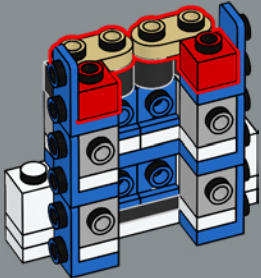


238

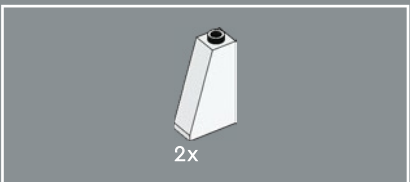
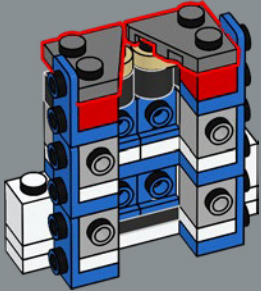




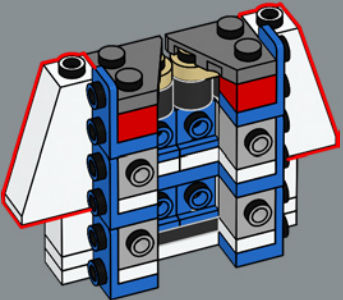
239



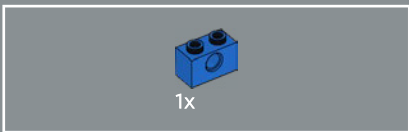
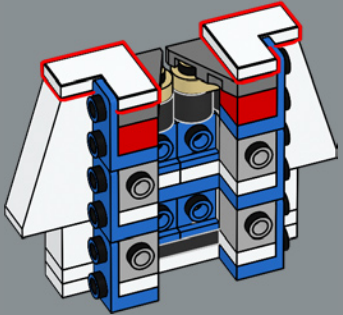
240



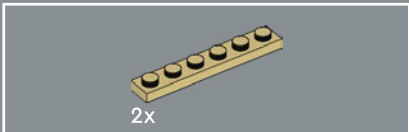
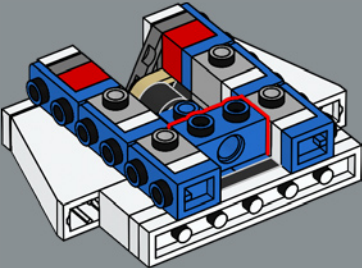
241



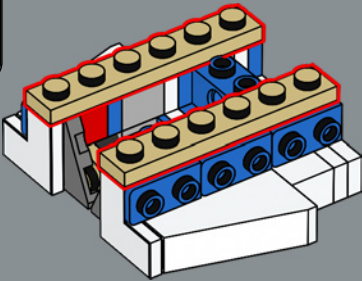
242

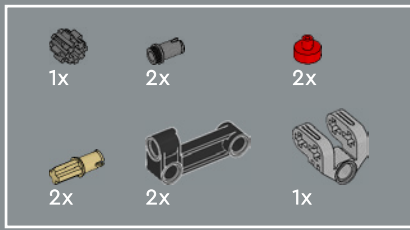


243



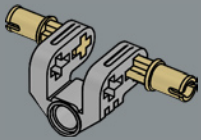
244



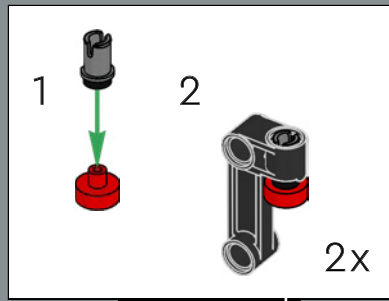
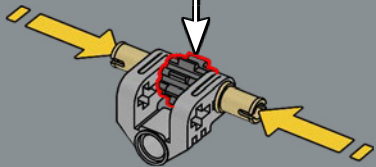
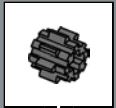


245

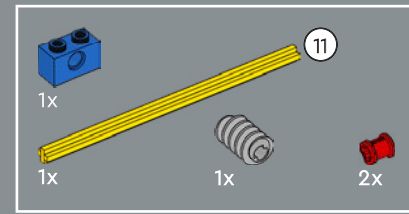
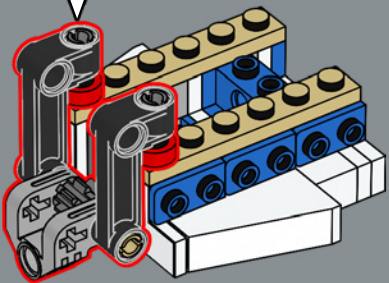
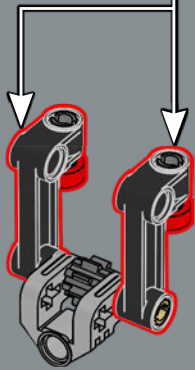
1



2

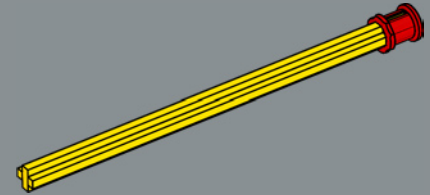


3

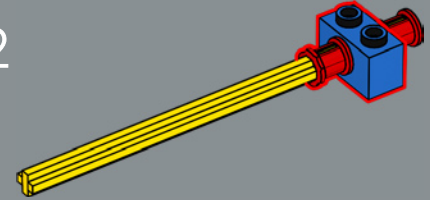


246

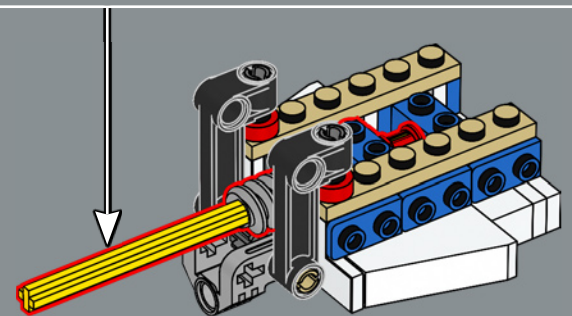
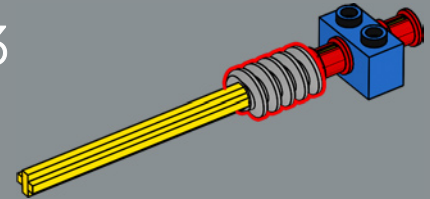
1

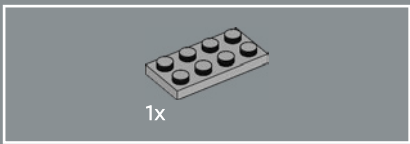


2

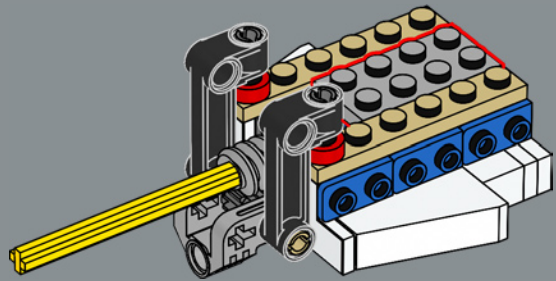


3

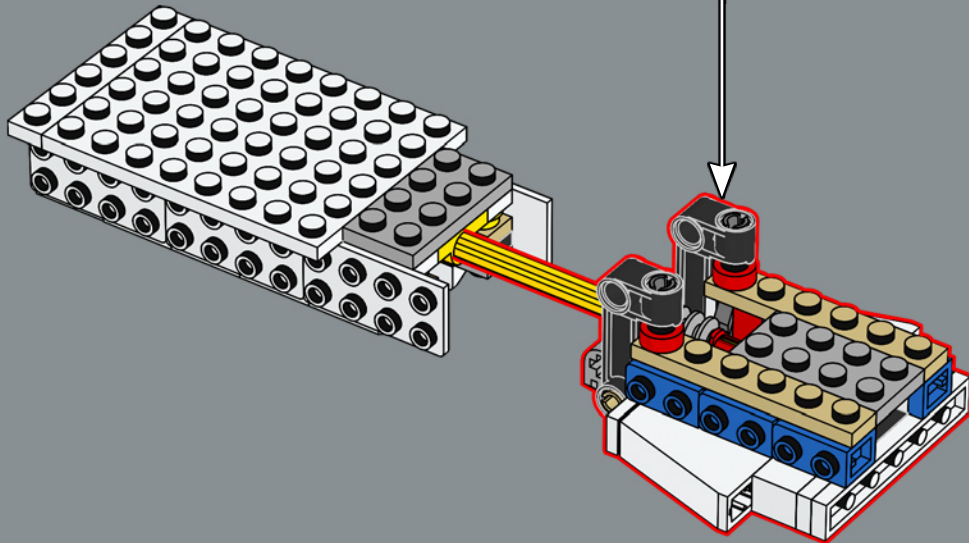




247

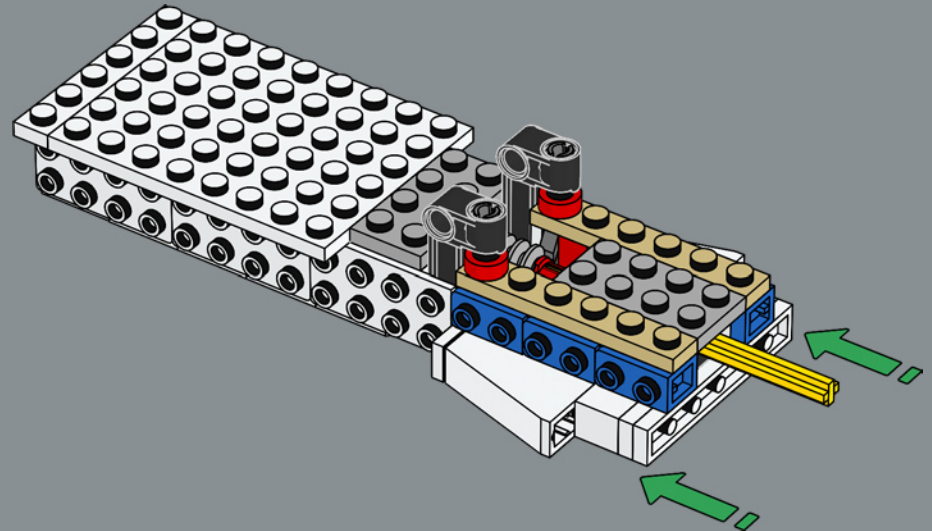


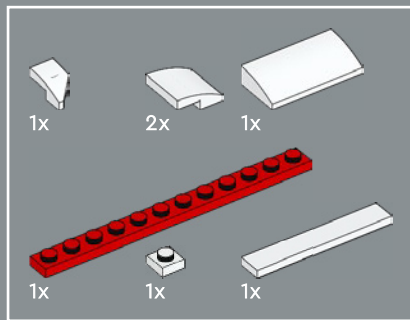
248



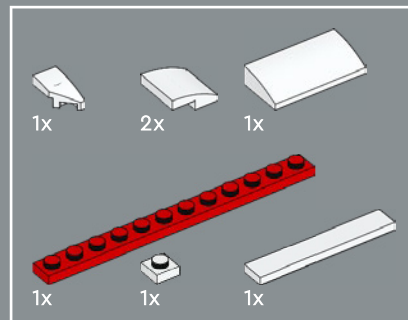
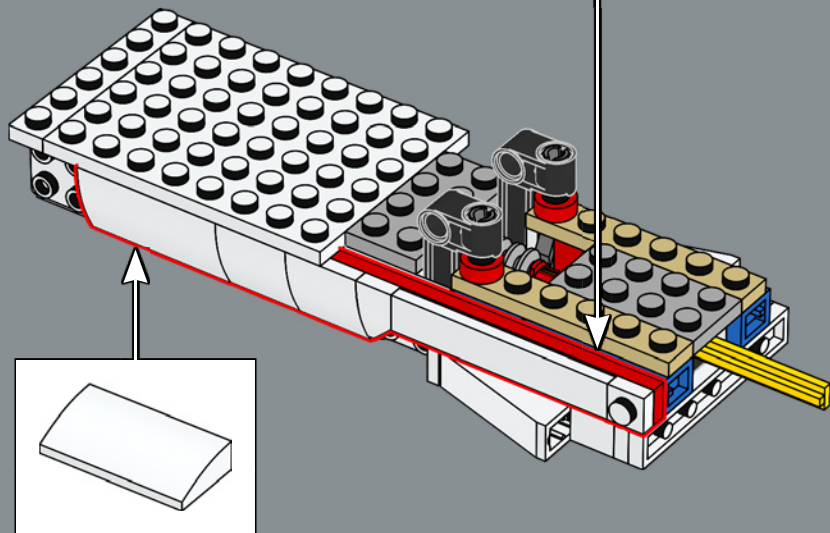
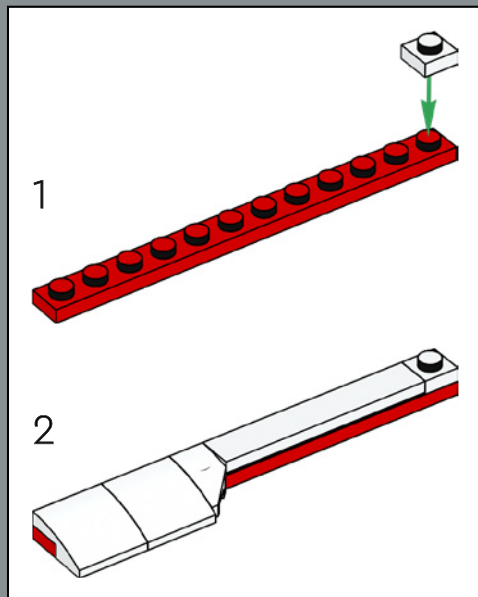
The forward wheel well accommodates the nose landing gear. Concorde's landing gear was longer than most to ensure that the engines, set far back on the delta wing, would clear the ground during take-off and landing.

249

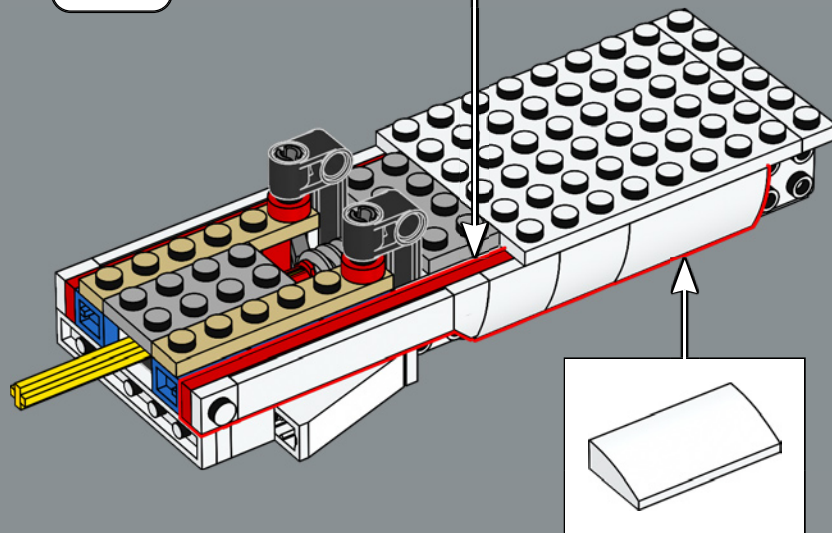
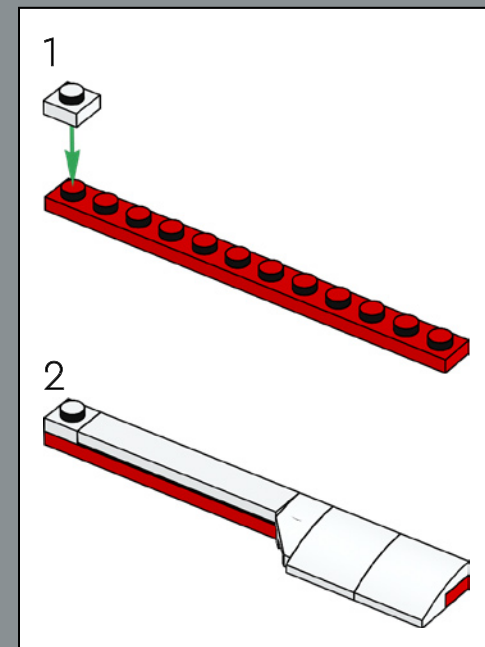




250

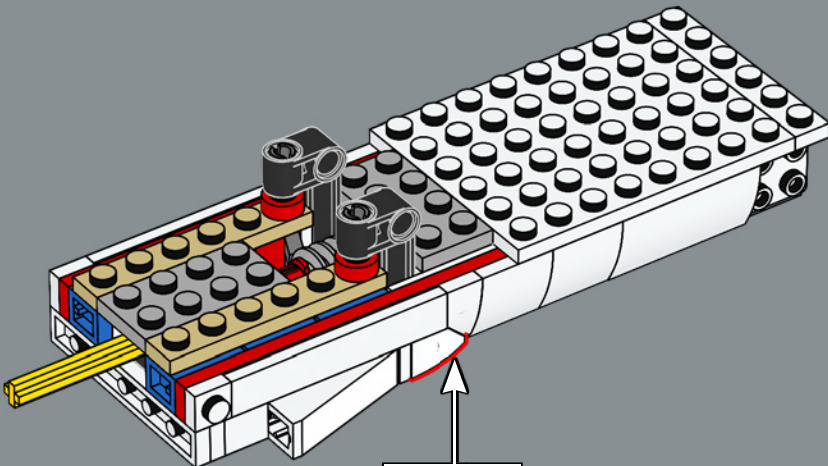


251

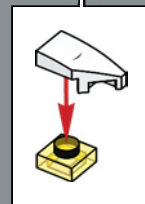
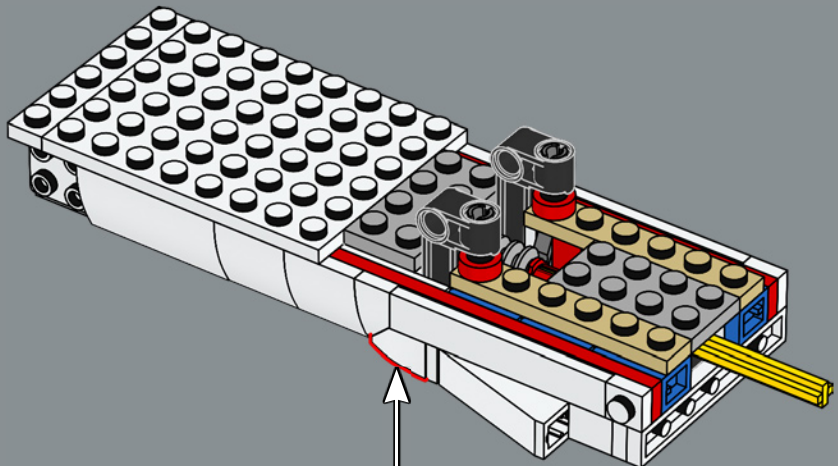




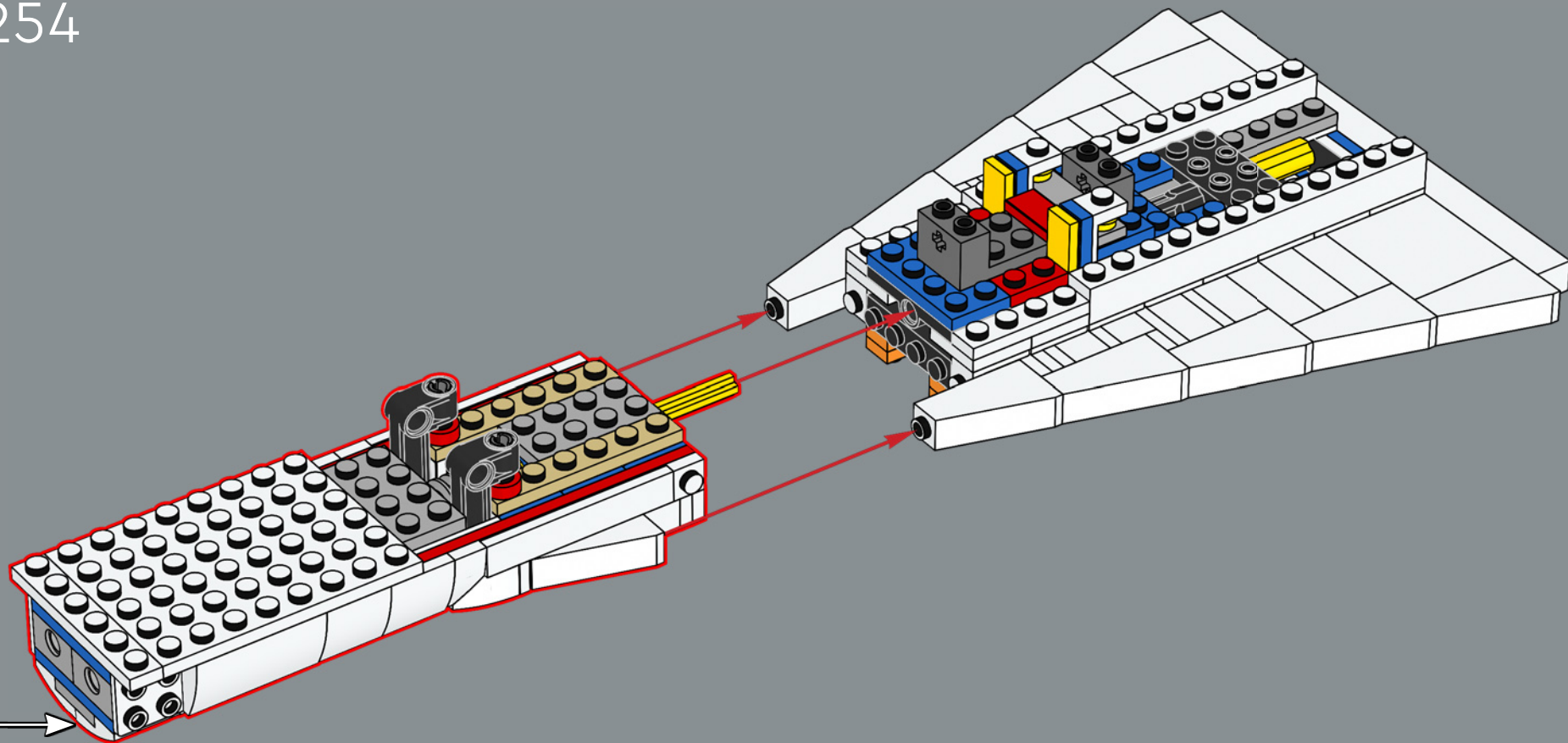
252

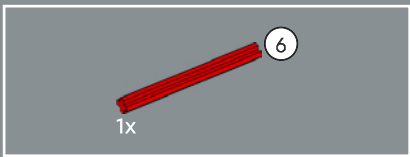


253

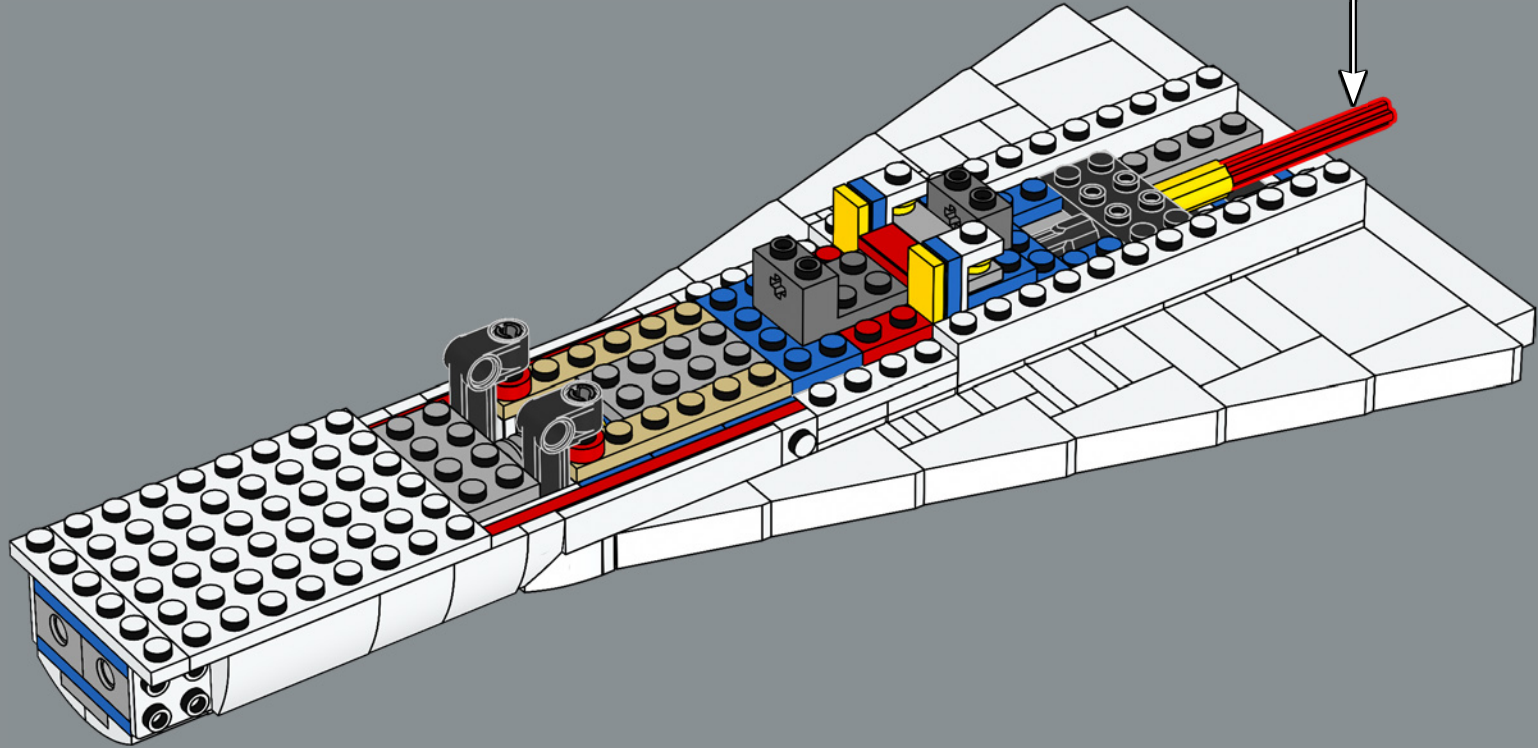
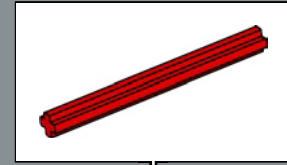


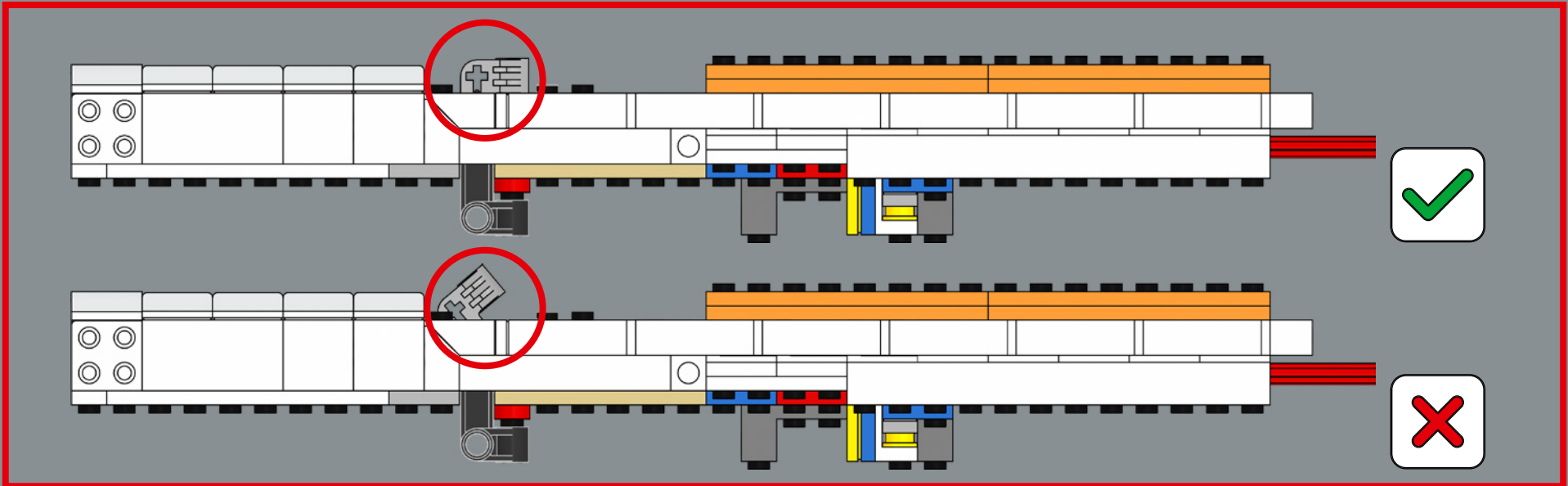
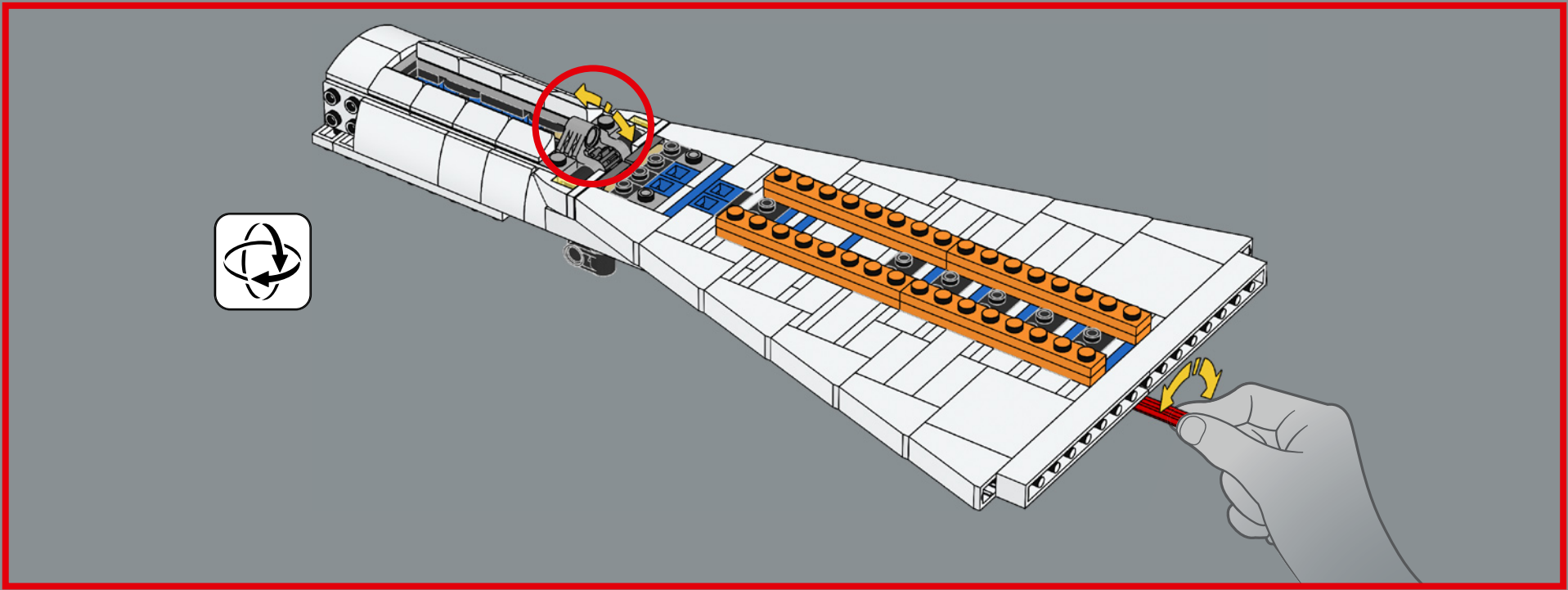
254

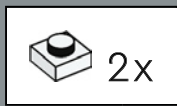
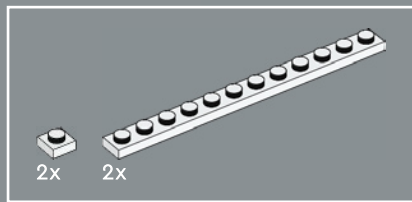




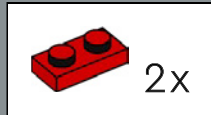
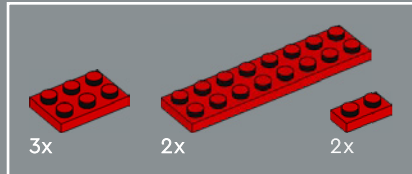
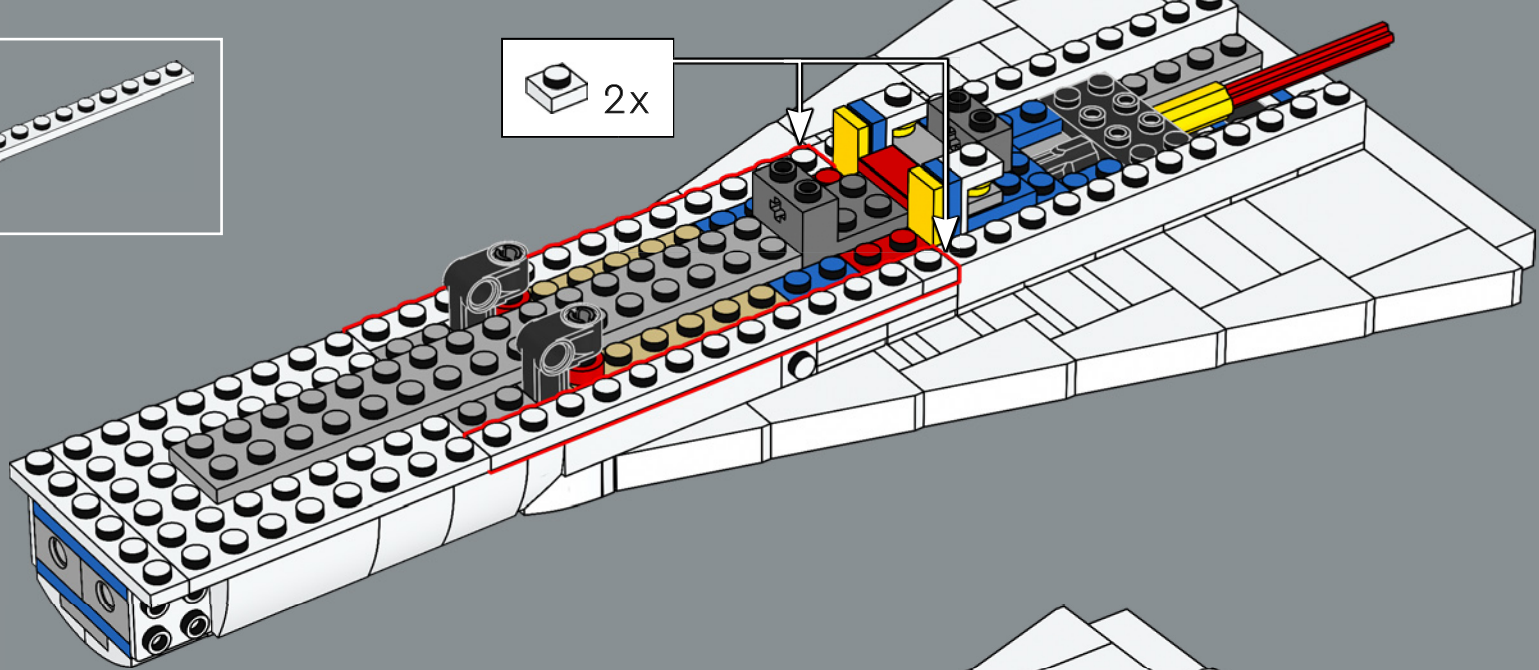
255



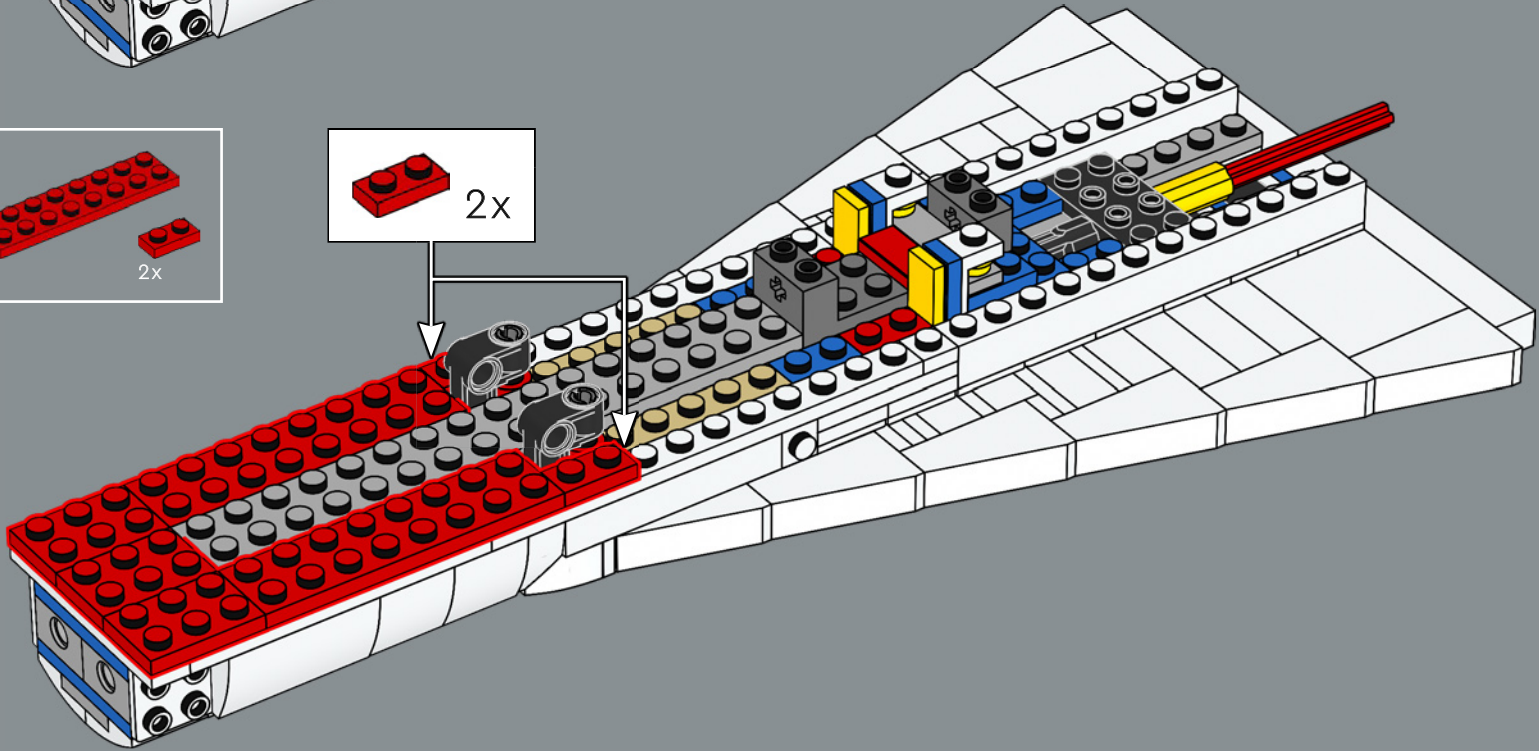


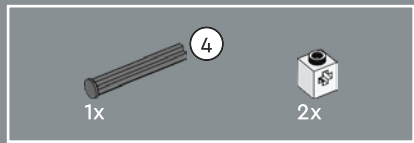


257

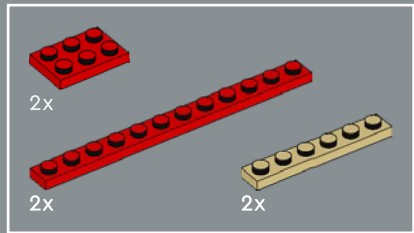
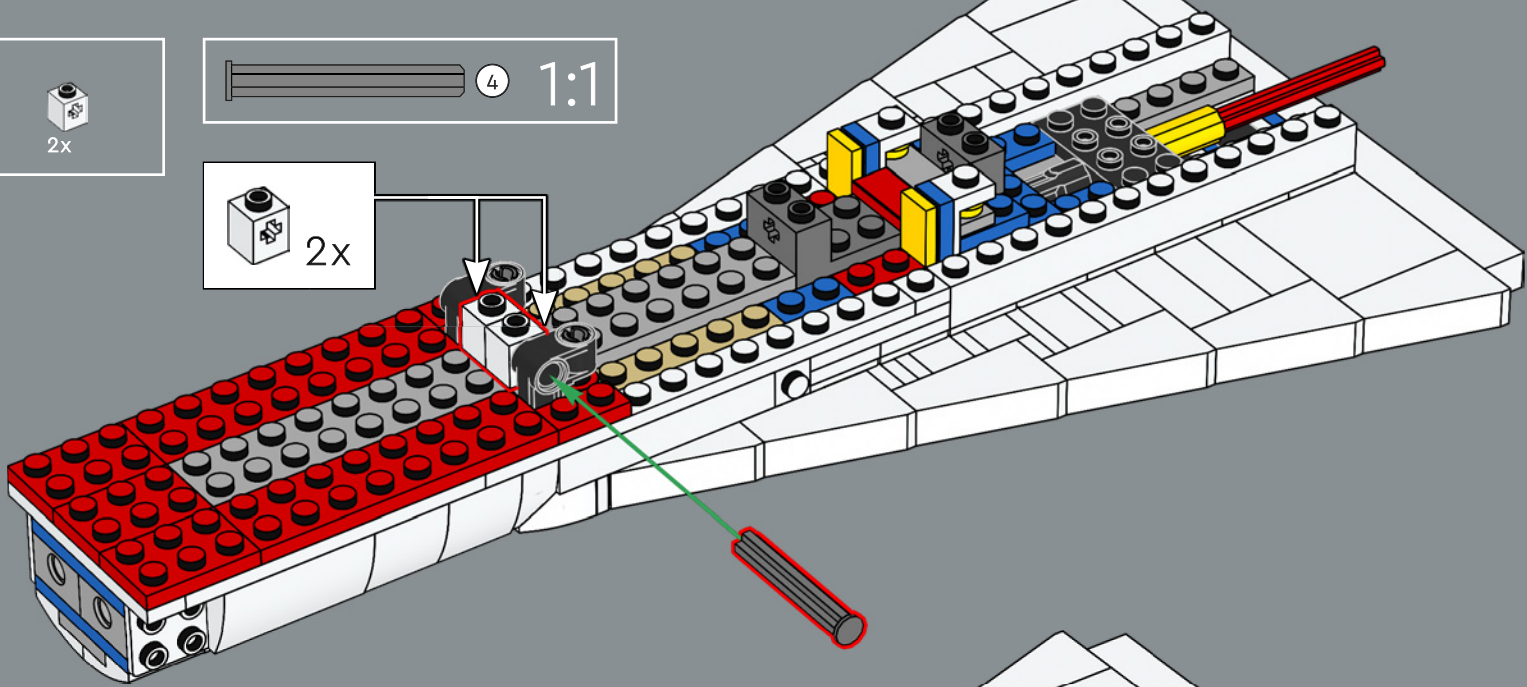
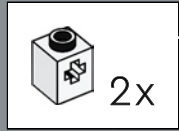
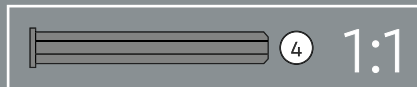


258

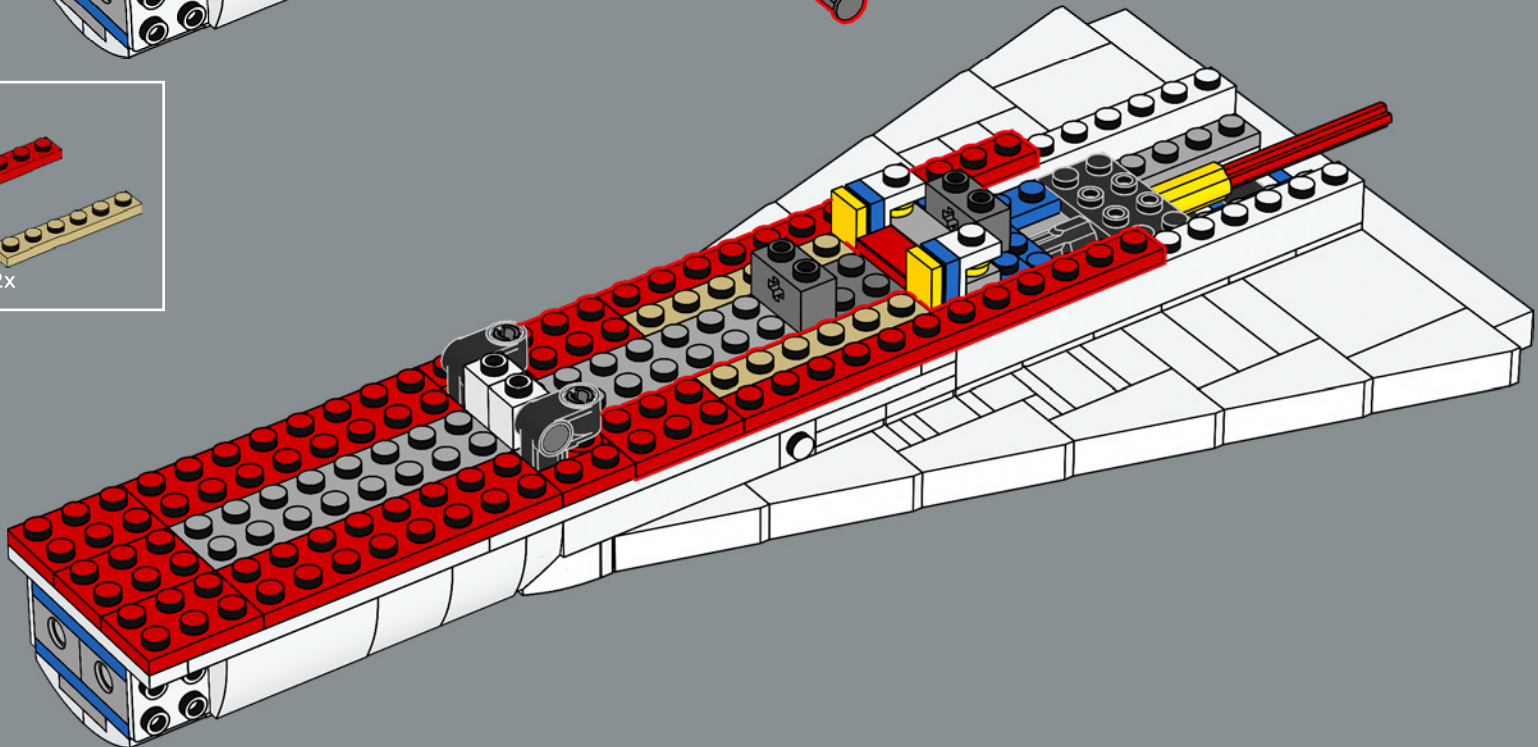


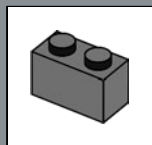
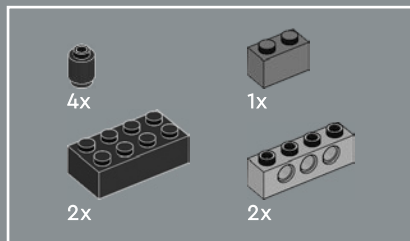


259

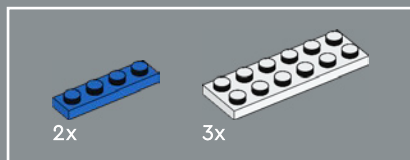
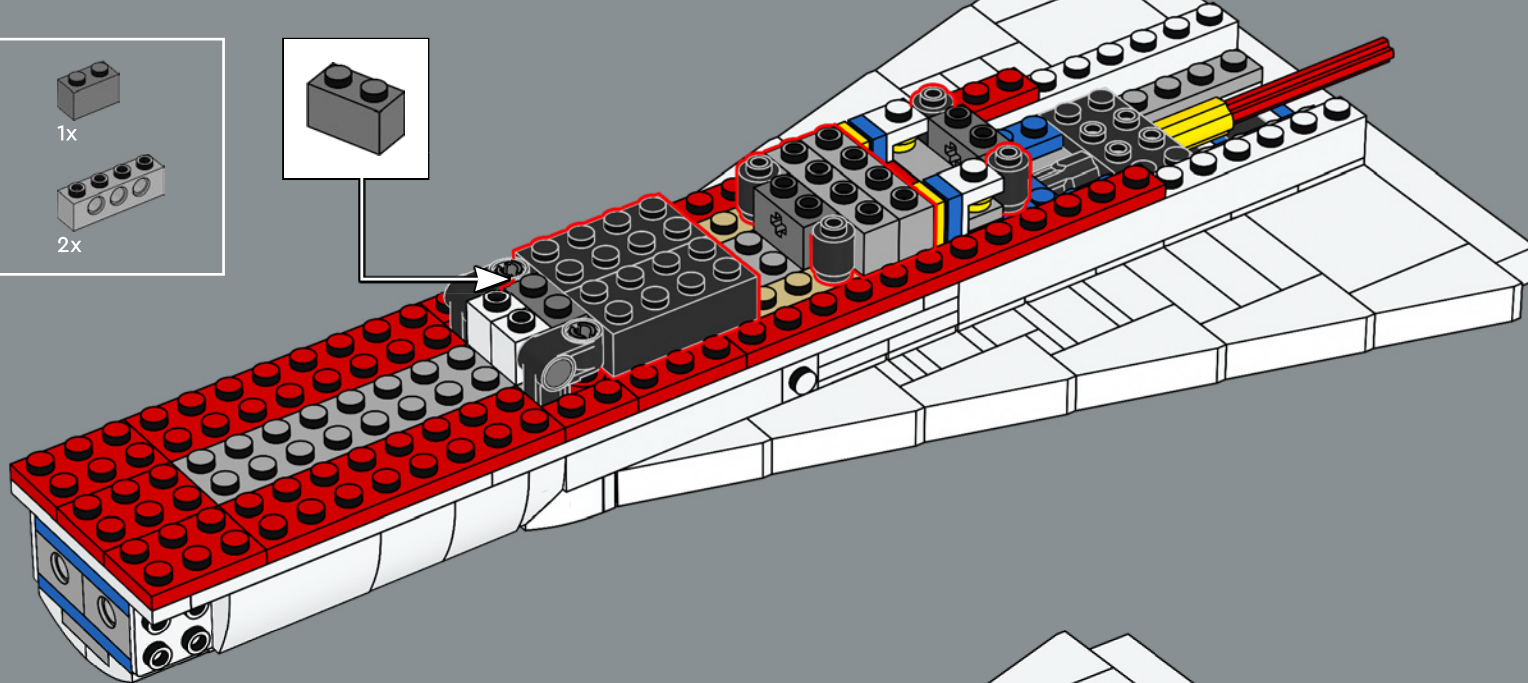


260

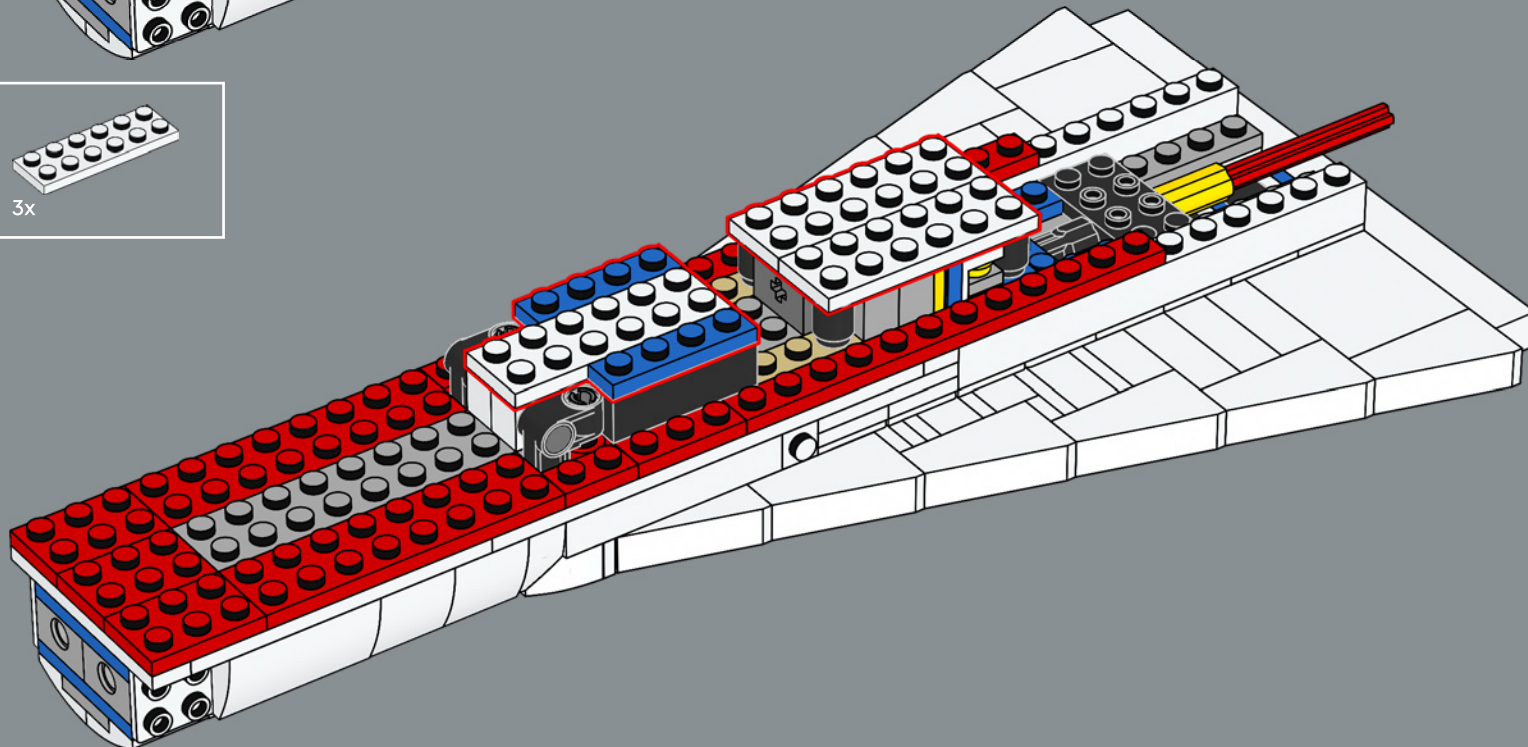


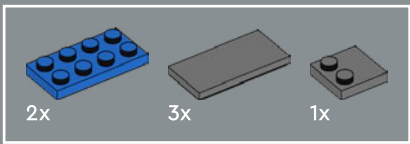


261

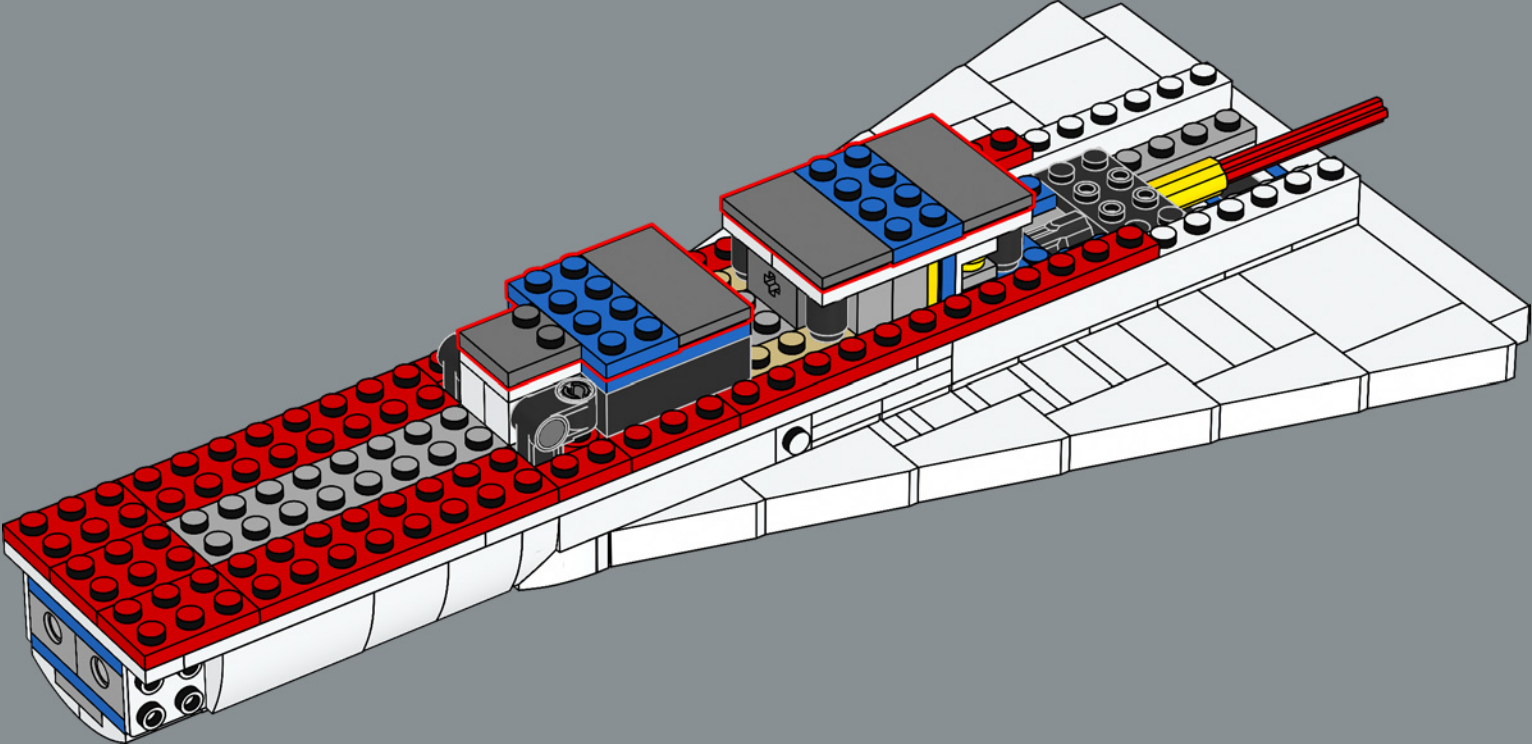


262





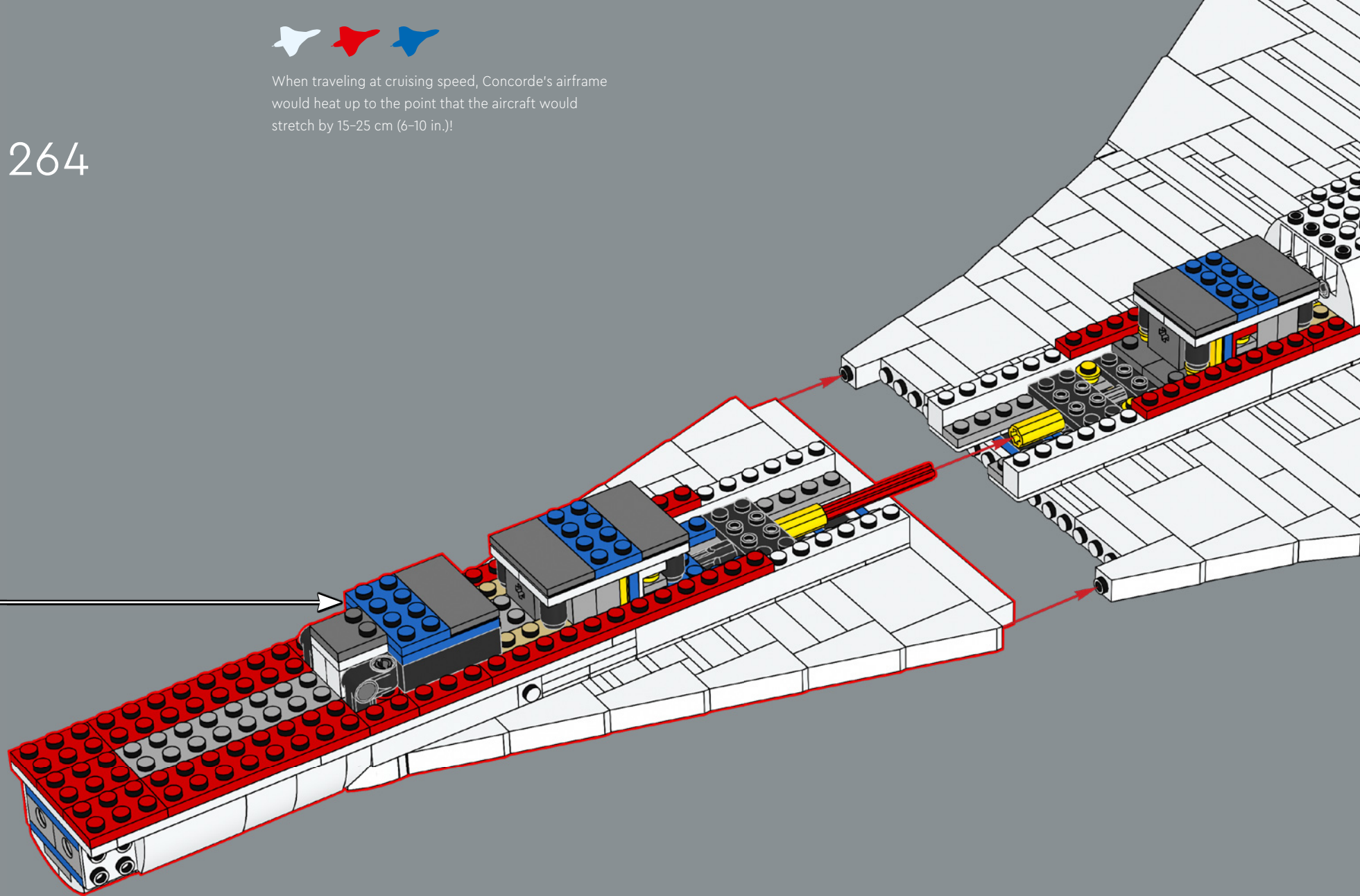
263

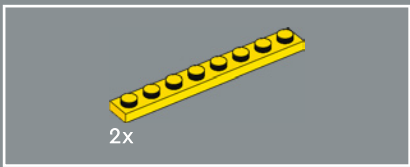




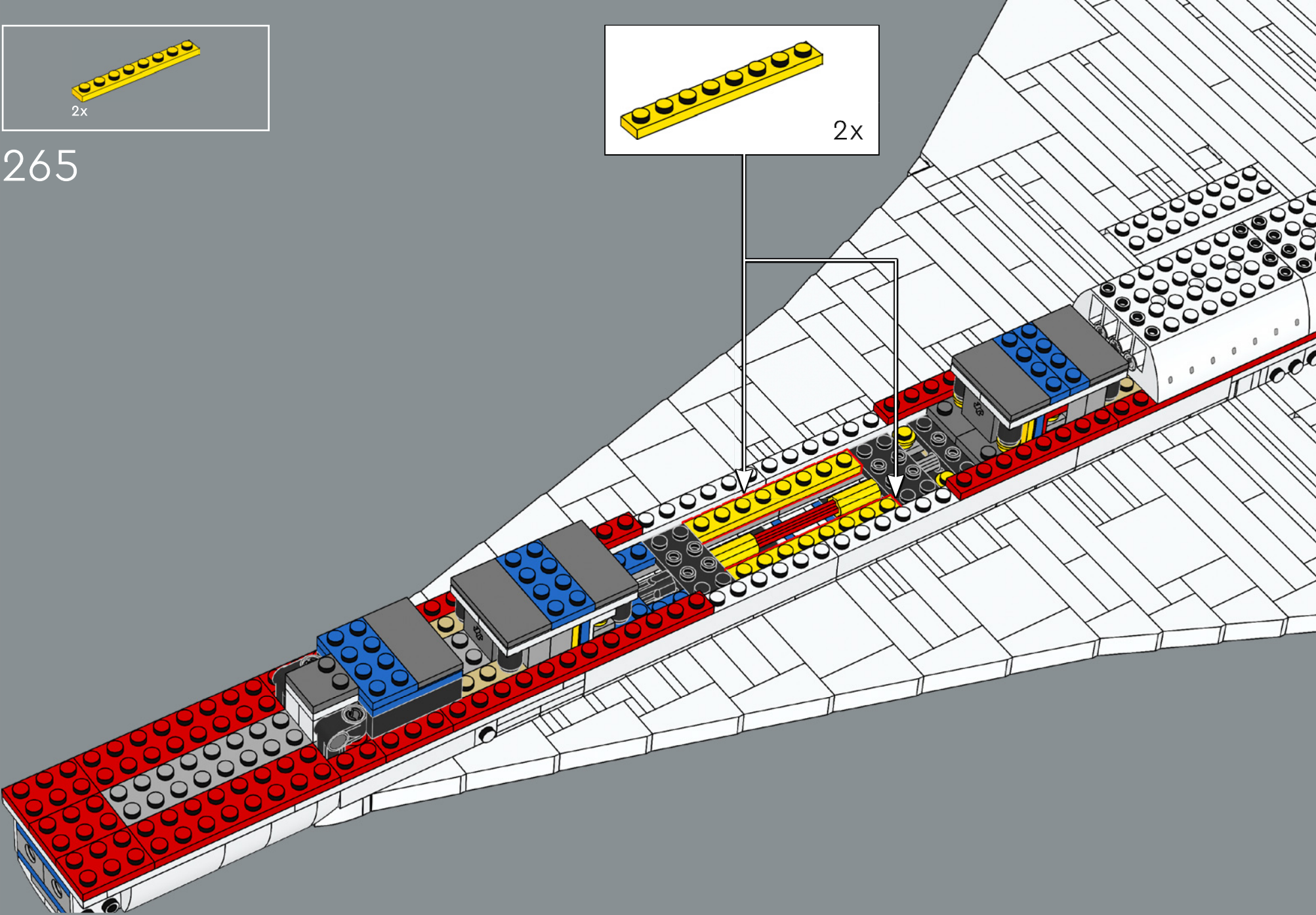
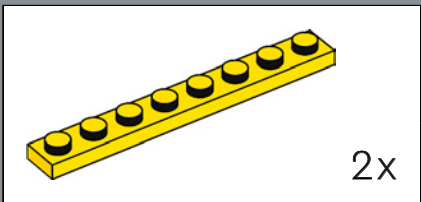
When traveling at cruising speed, Concorde's airframe would heat up to the point that the aircraft would stretch by 15–25 cm (6–10 in.)!

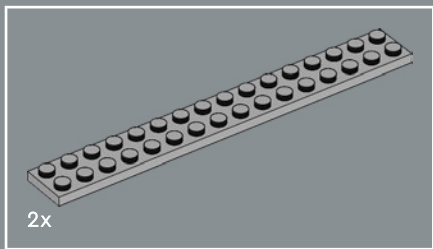
264



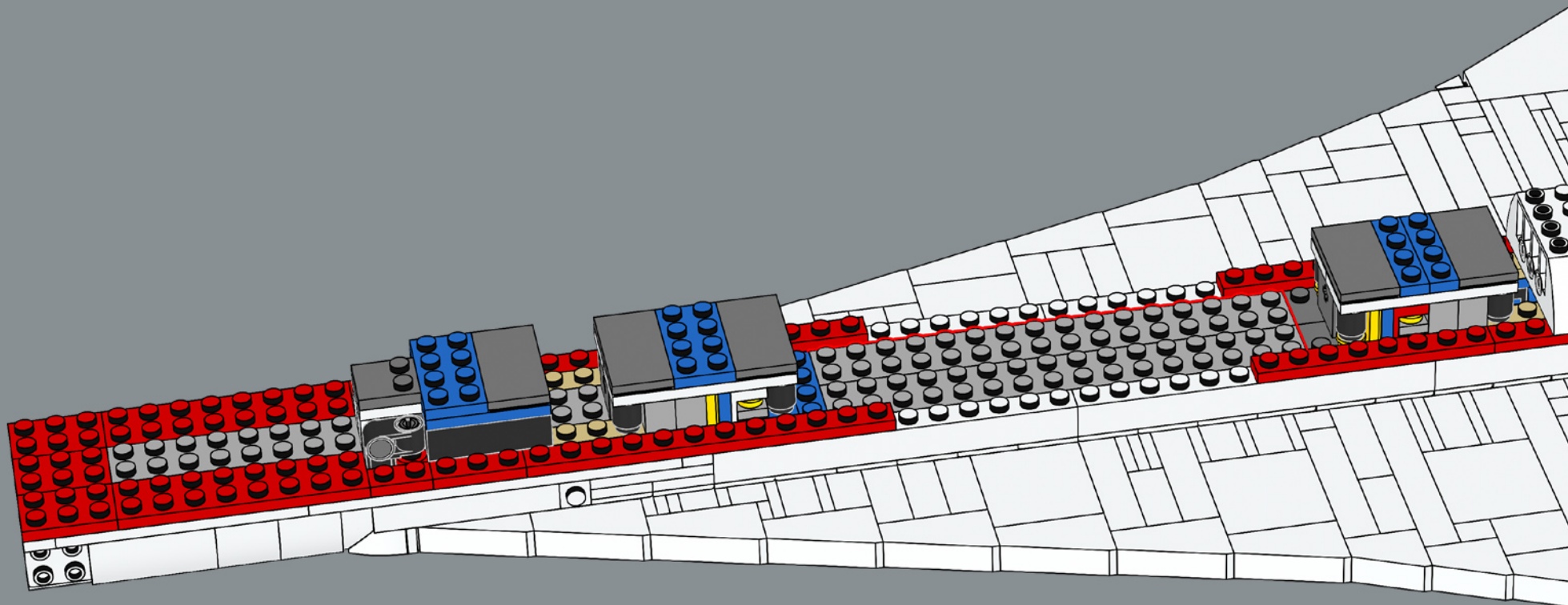


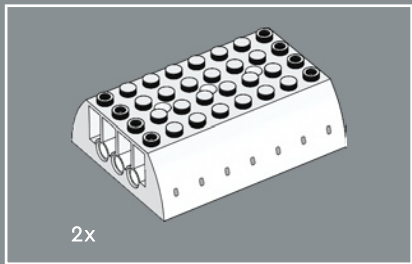
265





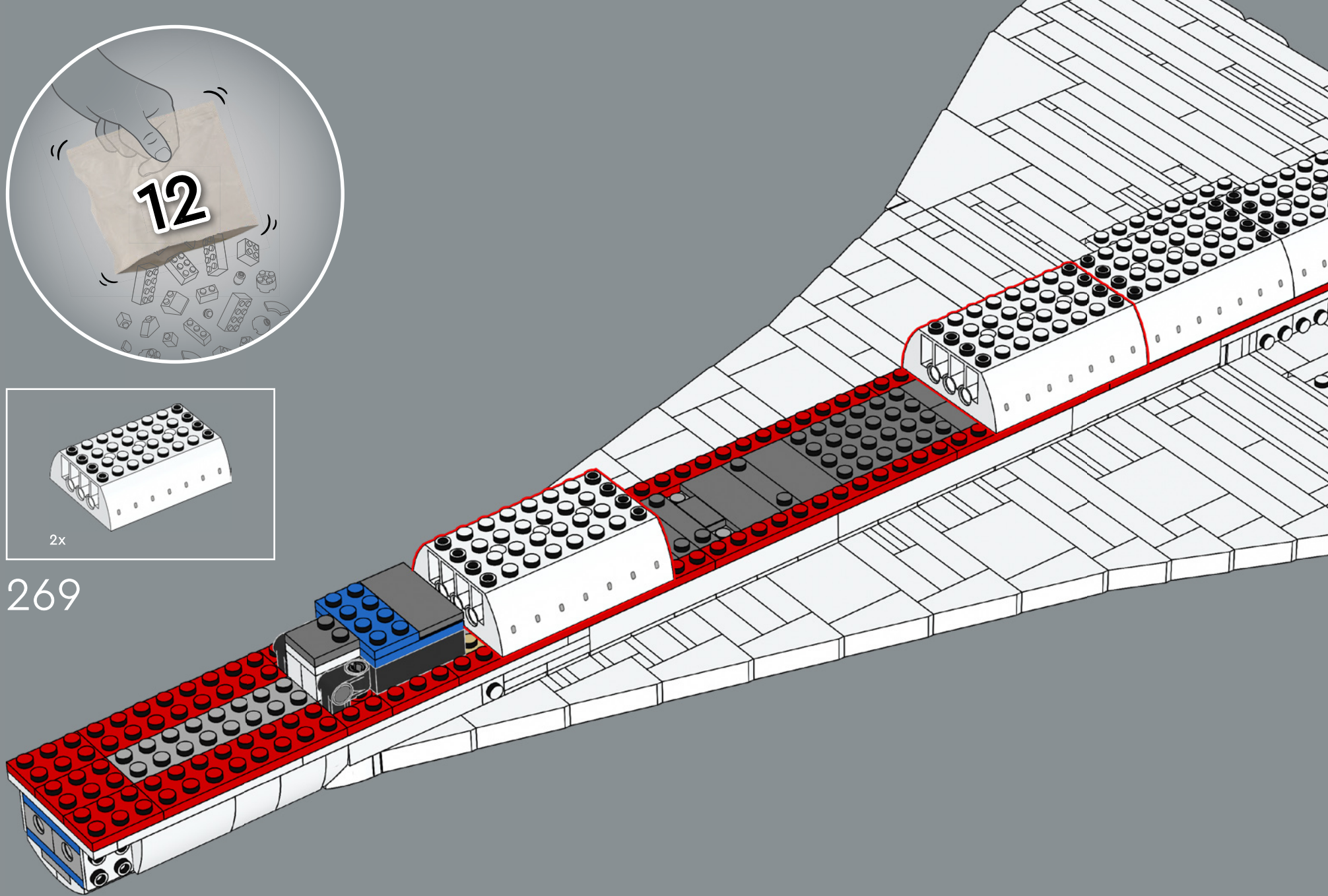
266

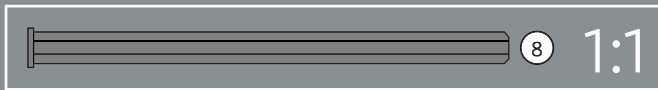
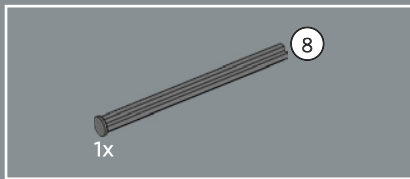




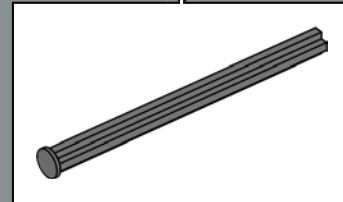
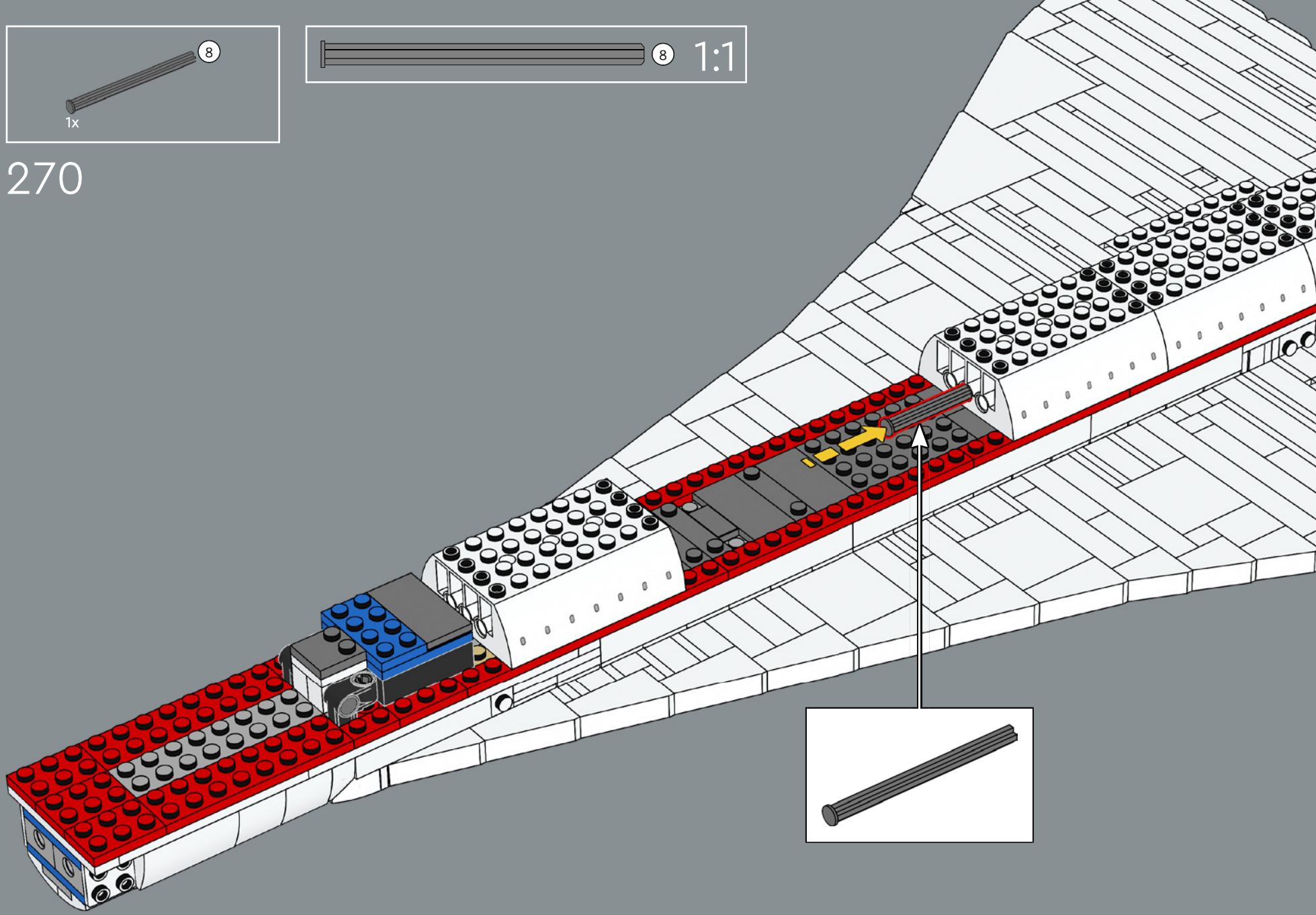
2x

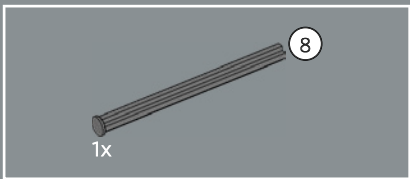
269



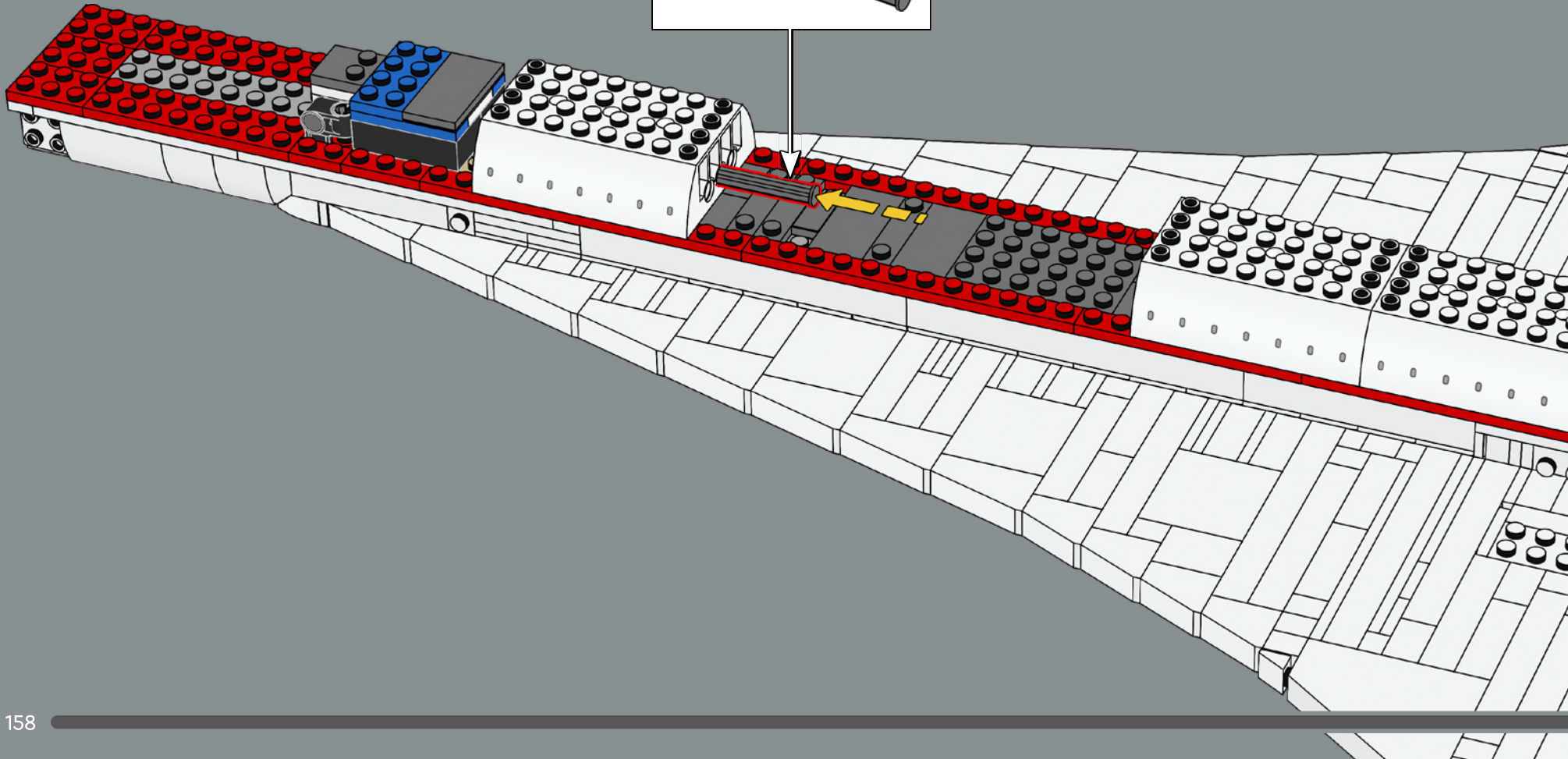
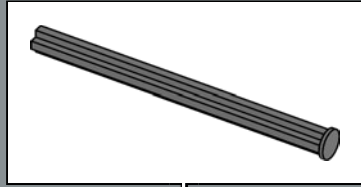


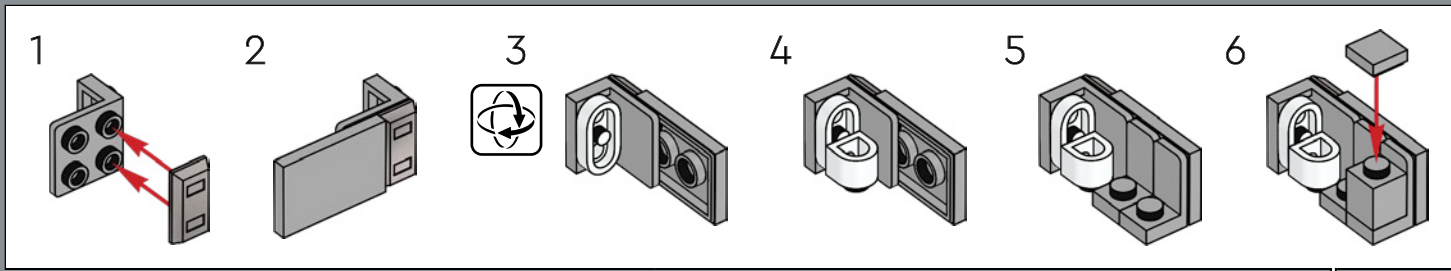
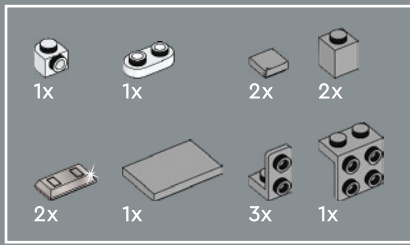
270



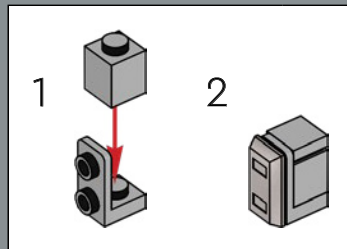
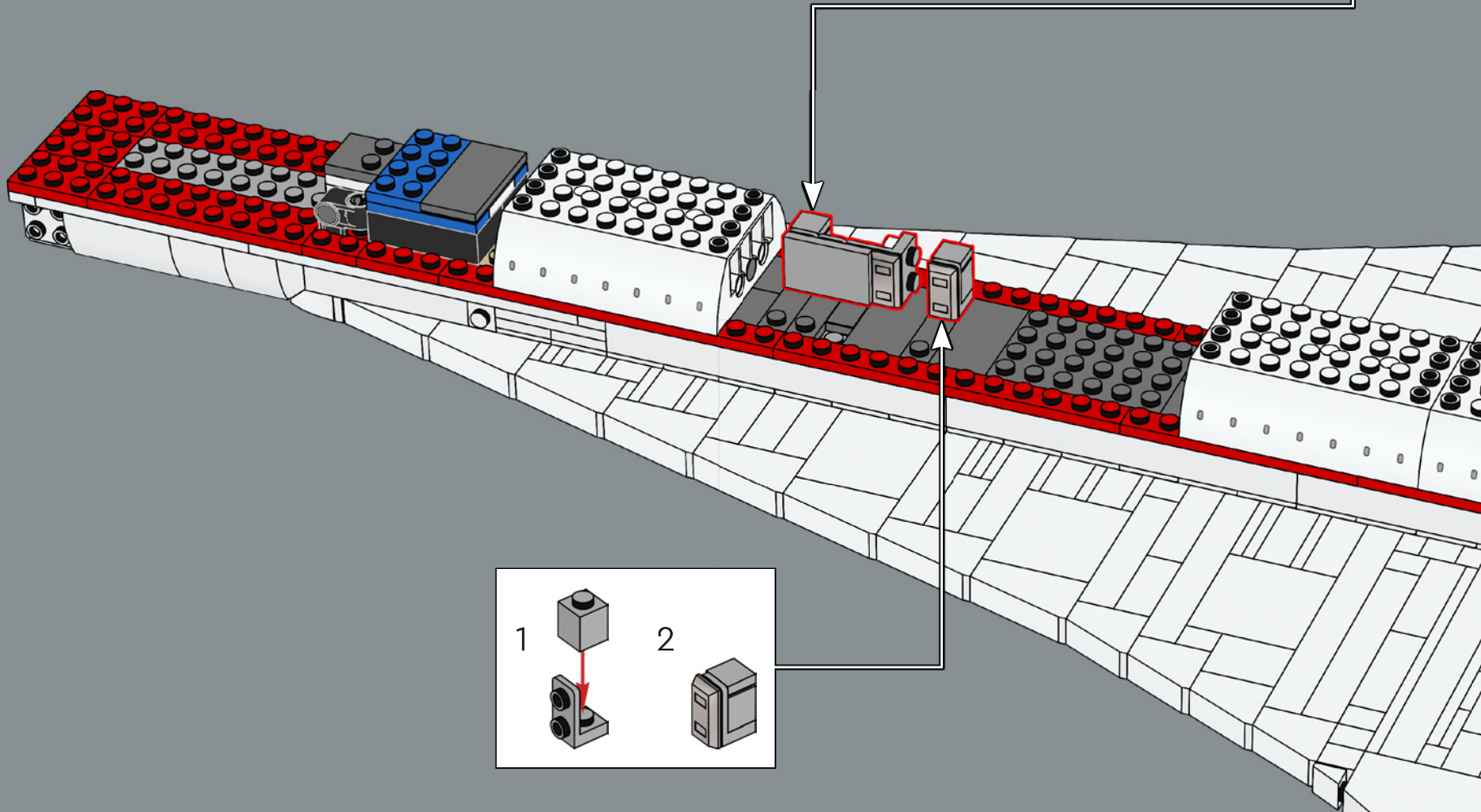


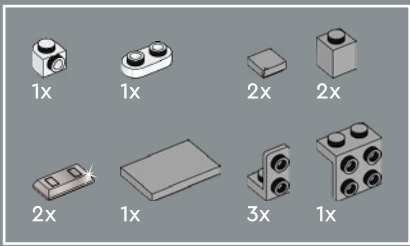
271



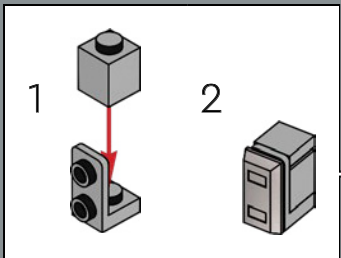
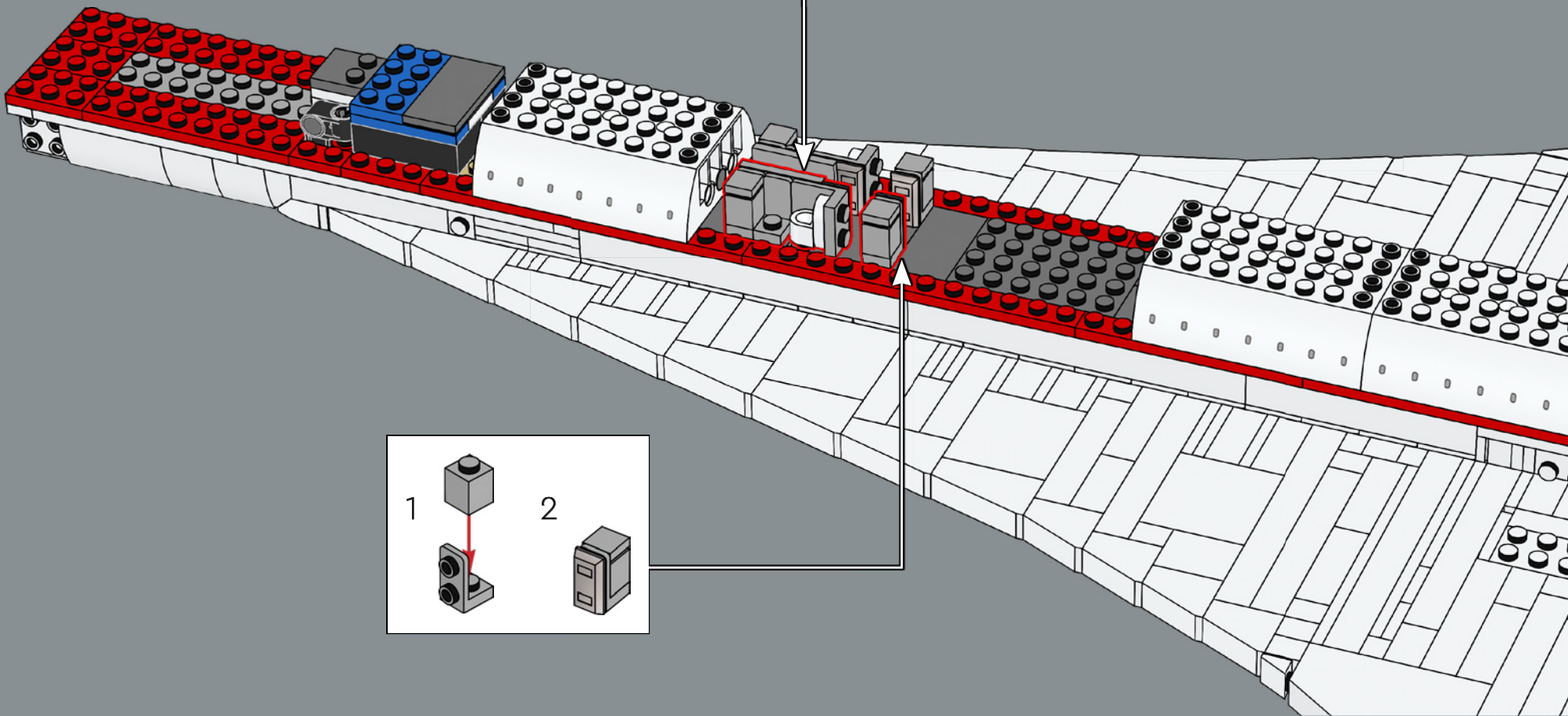
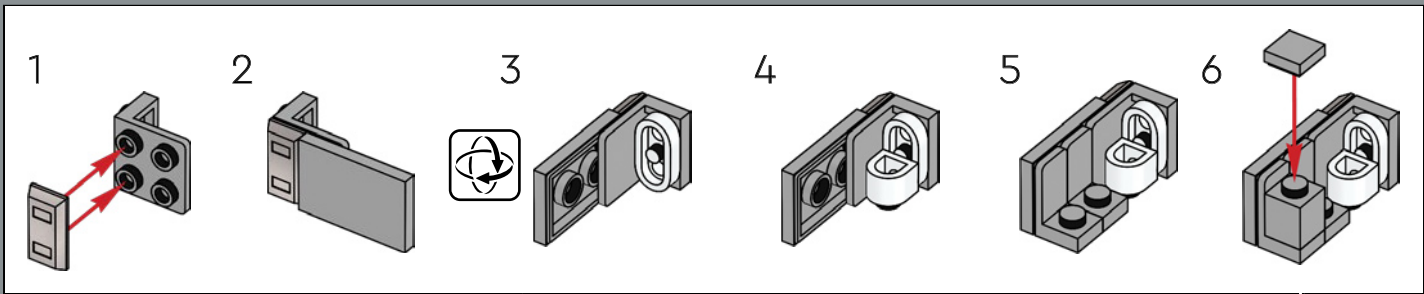


272



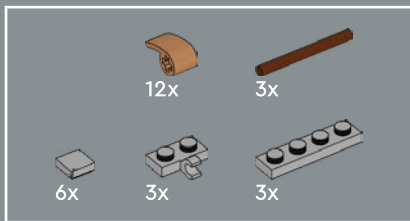


273

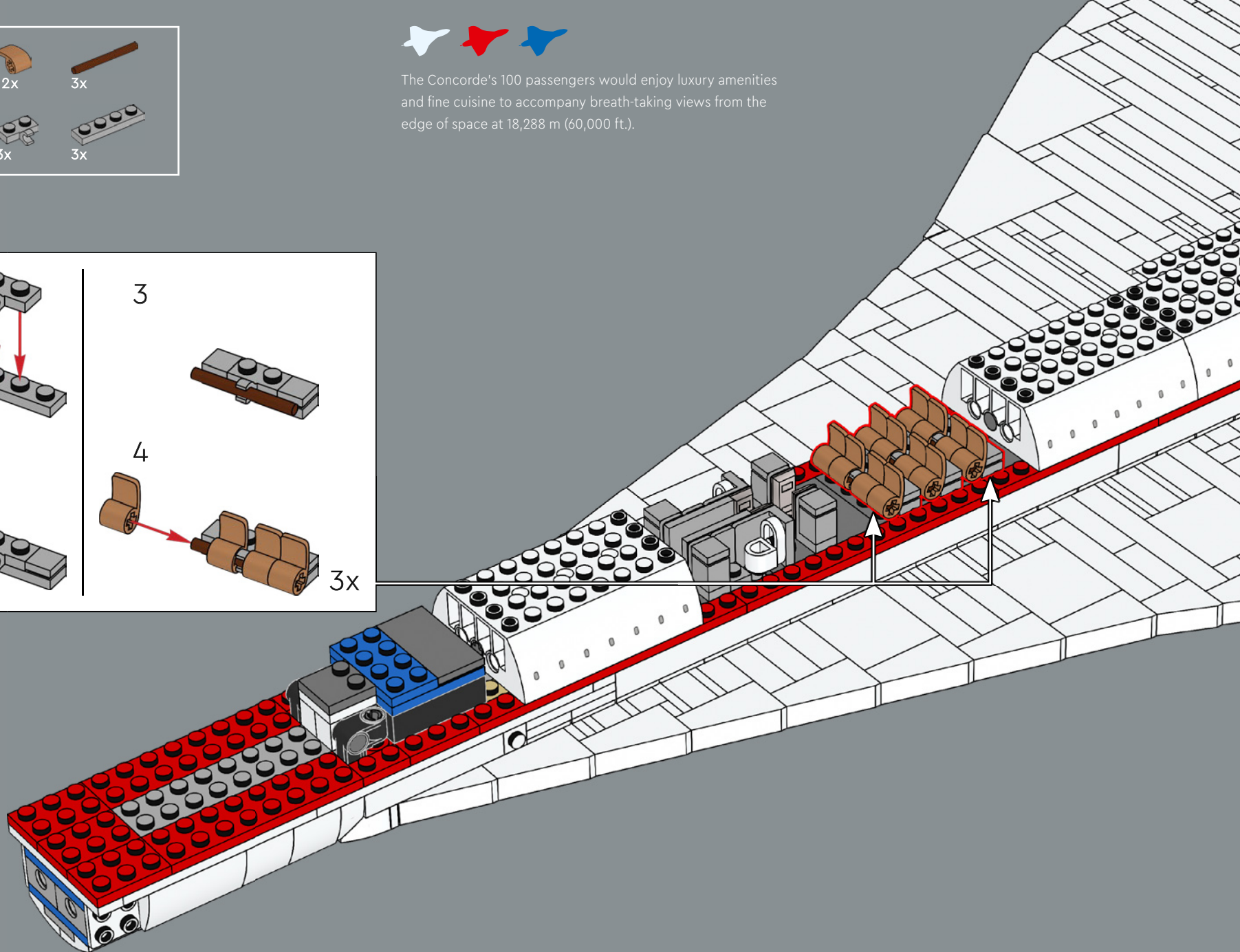
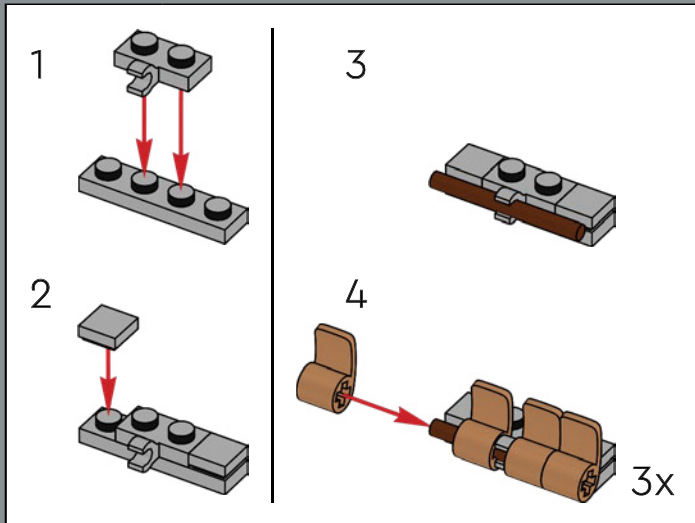


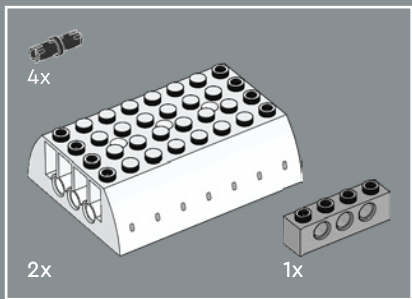


The Concorde's 100 passengers would enjoy luxury amenities and fine cuisine to accompany breath-taking views from the edge of space at 18,288 m (60,000 ft.).



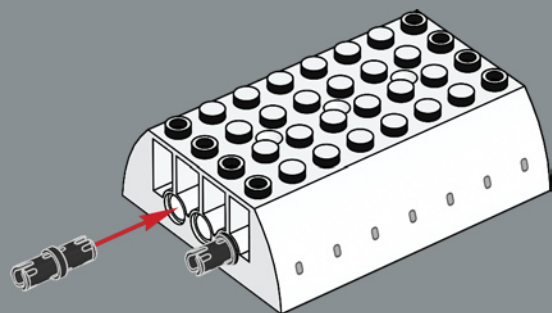
274



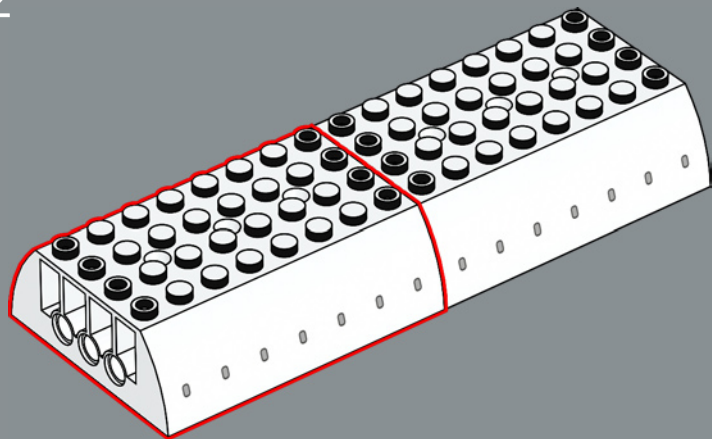


275

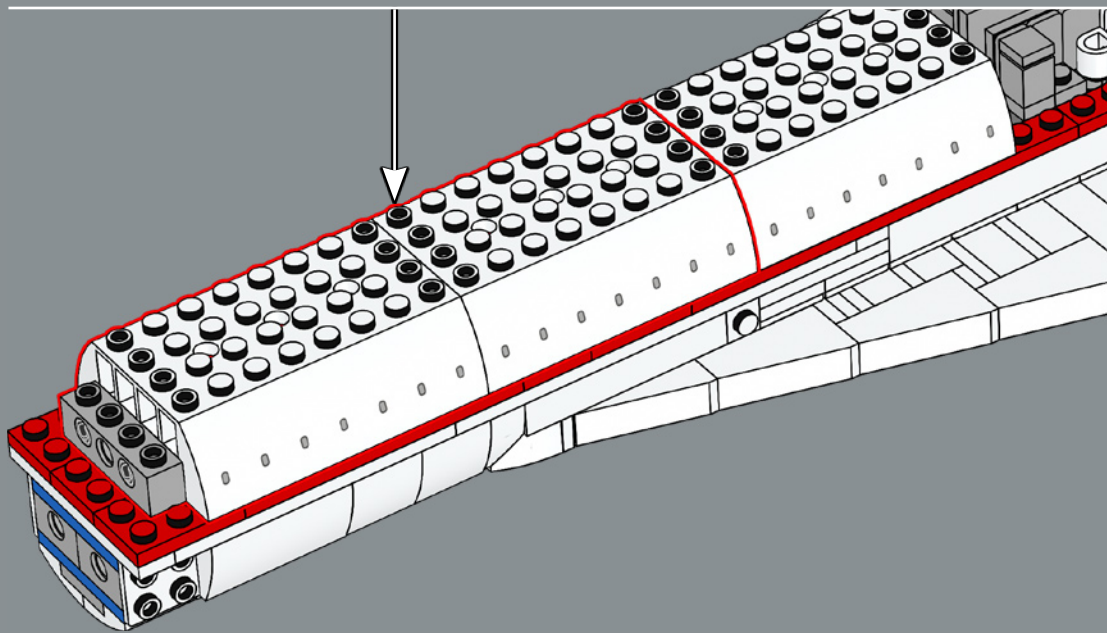
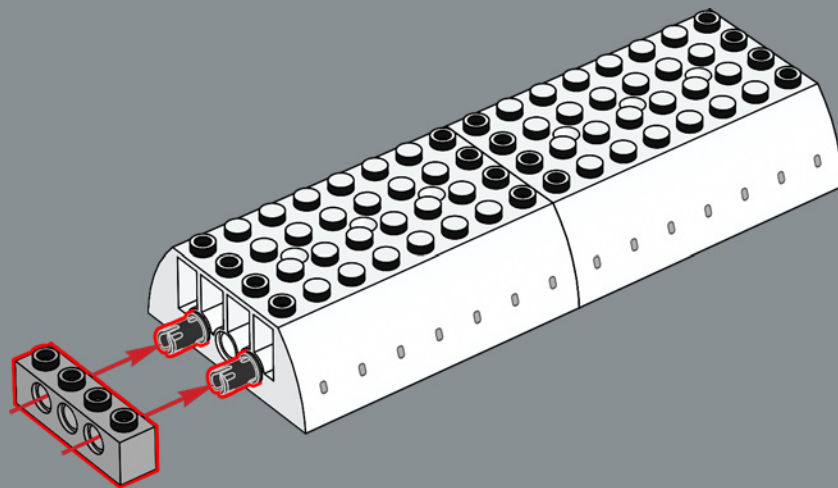
1

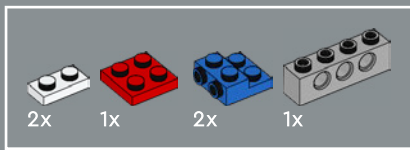


2

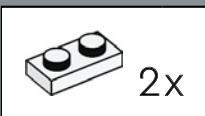
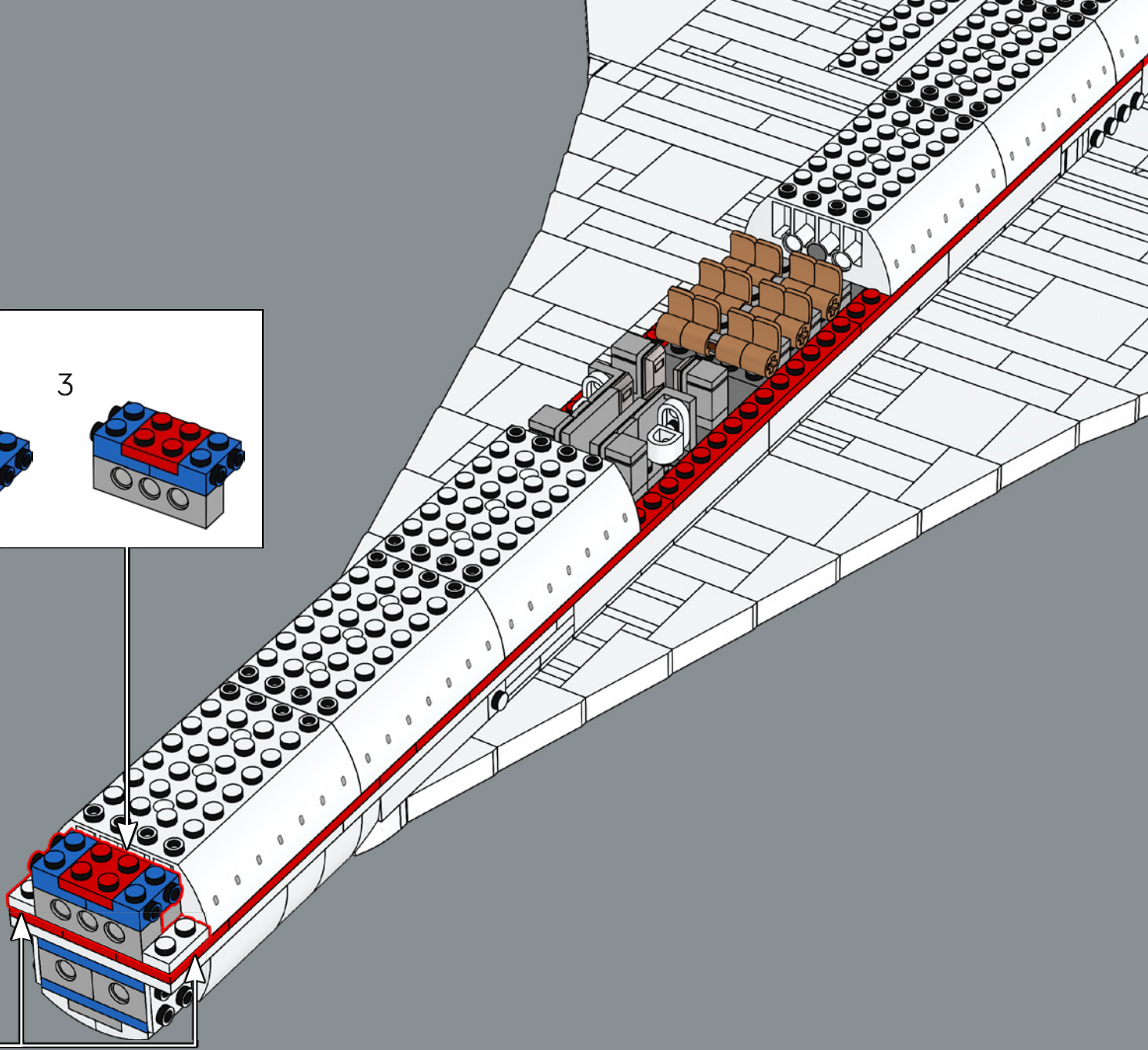
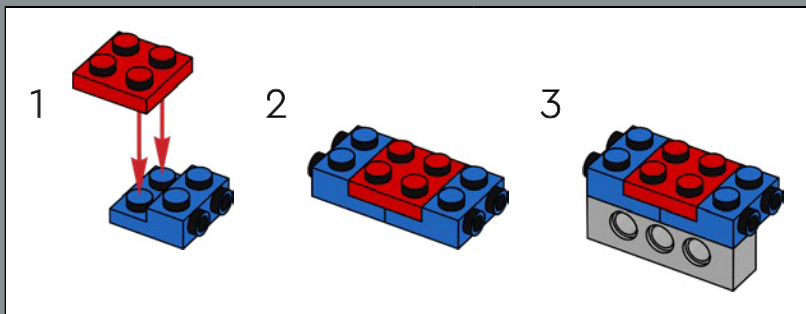


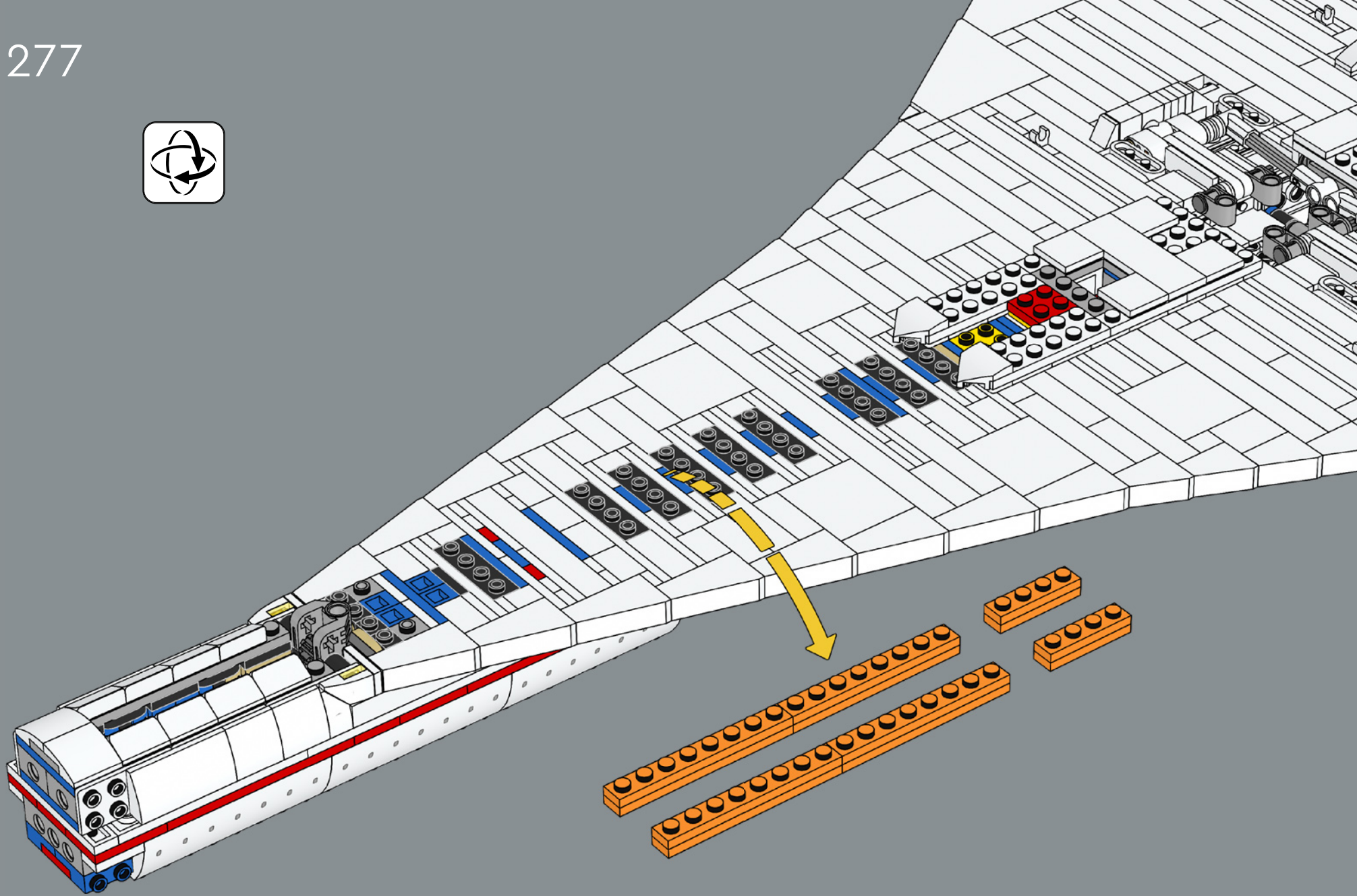
3

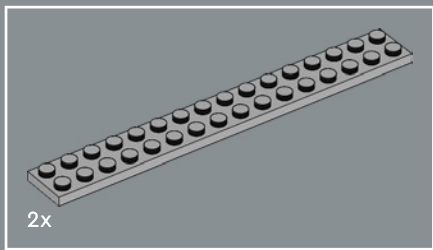




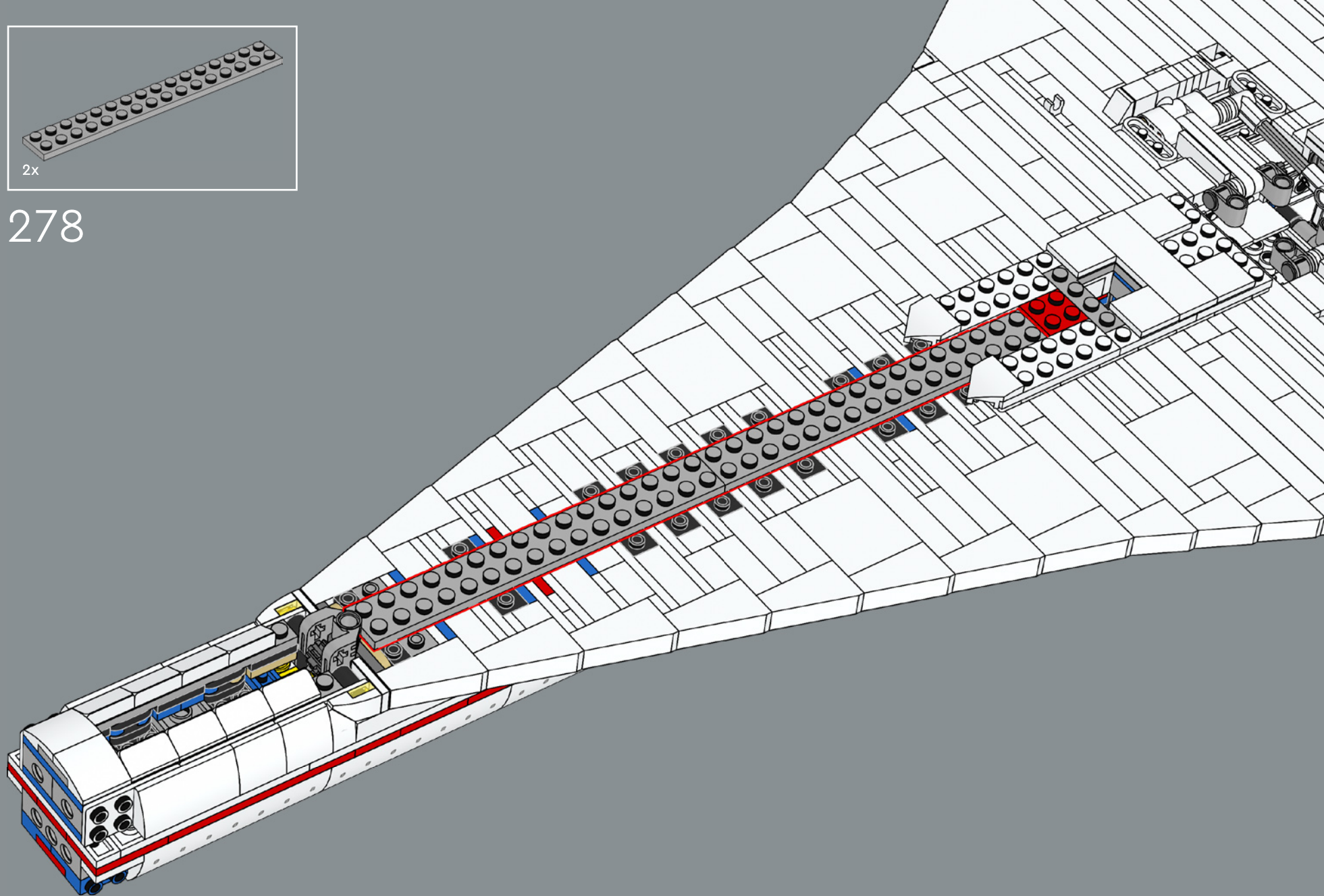
276

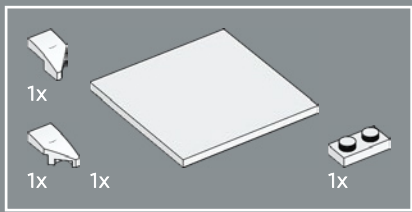




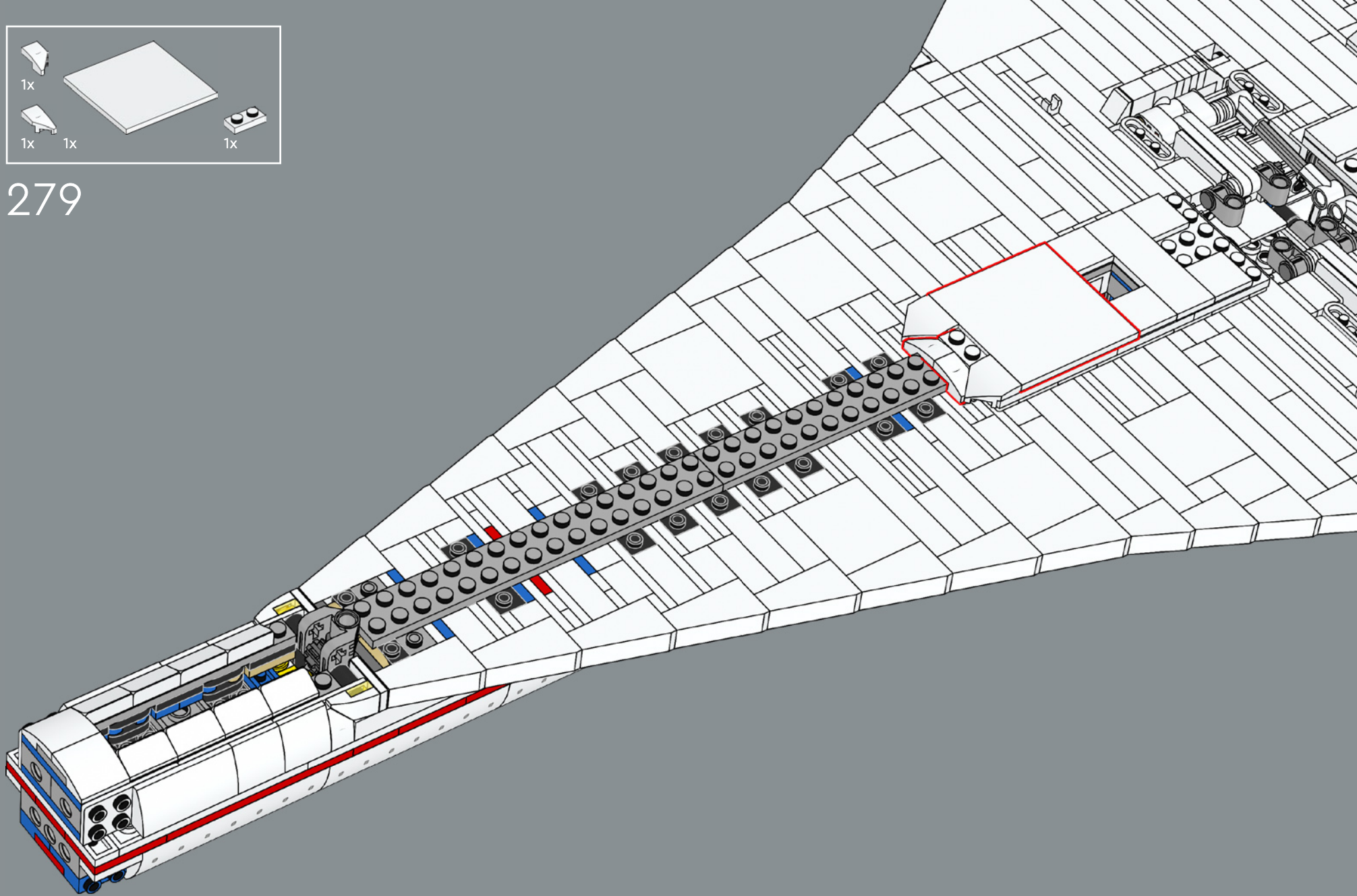


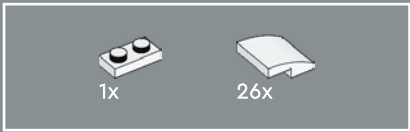
278



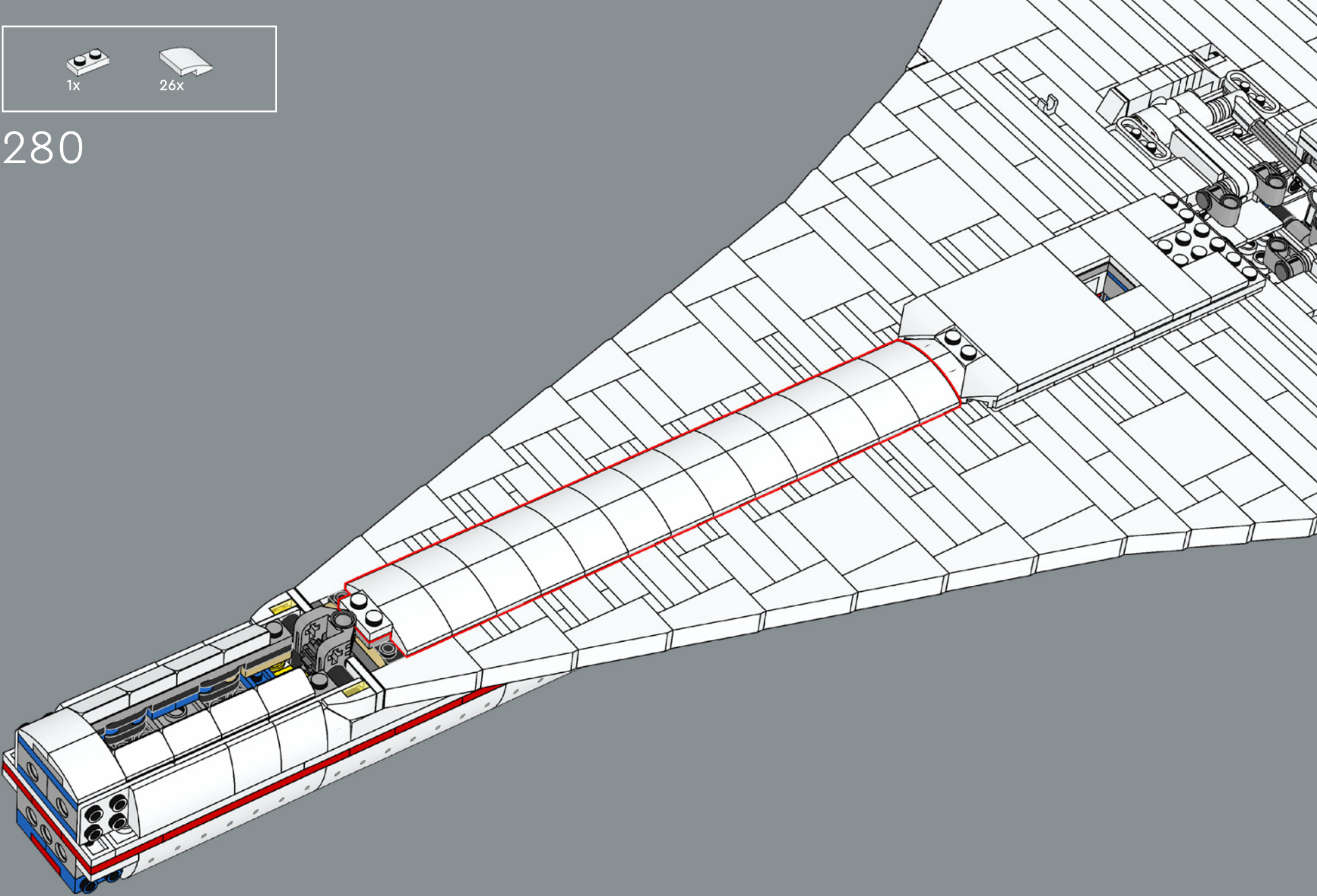


279

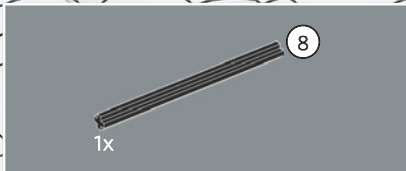




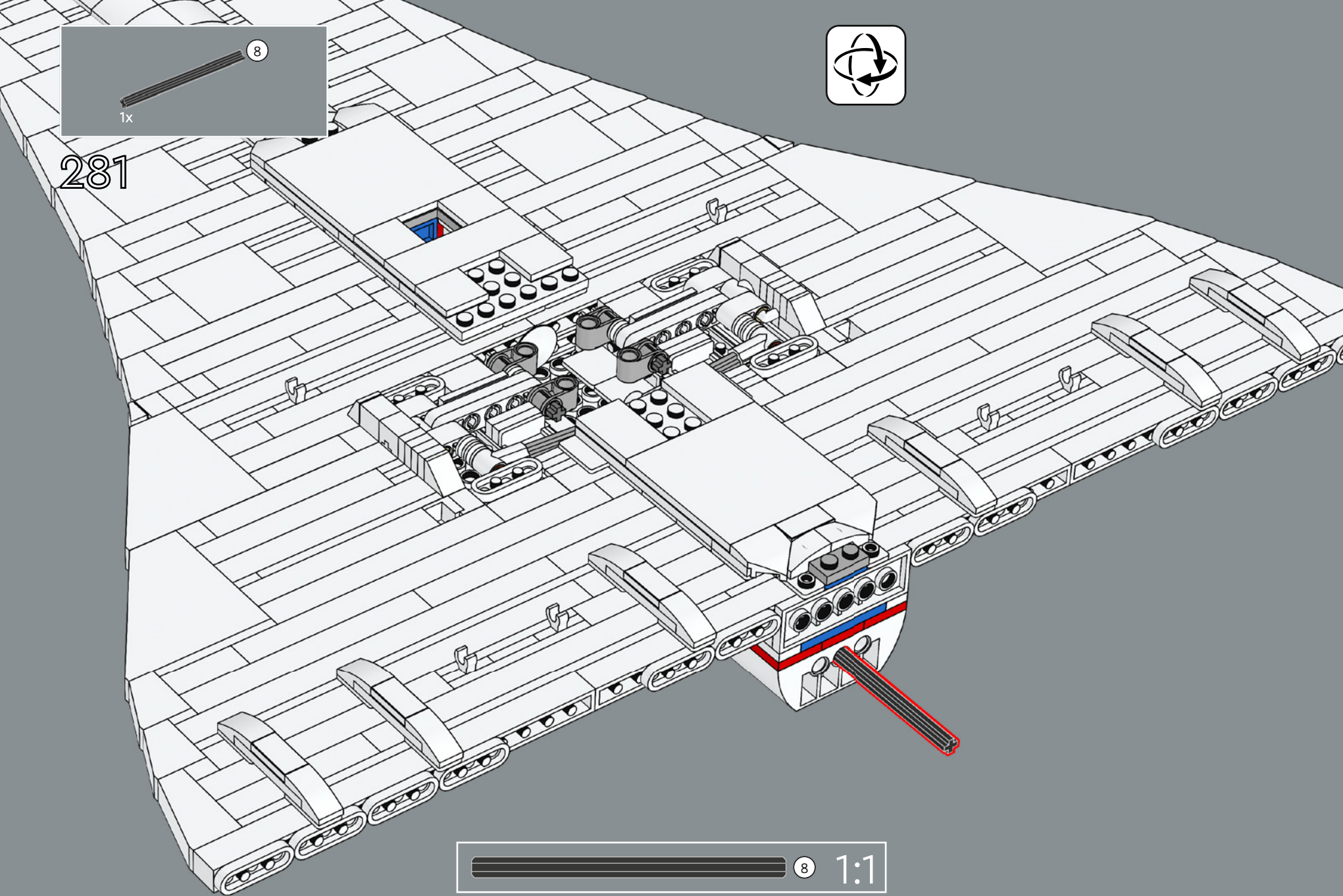
280



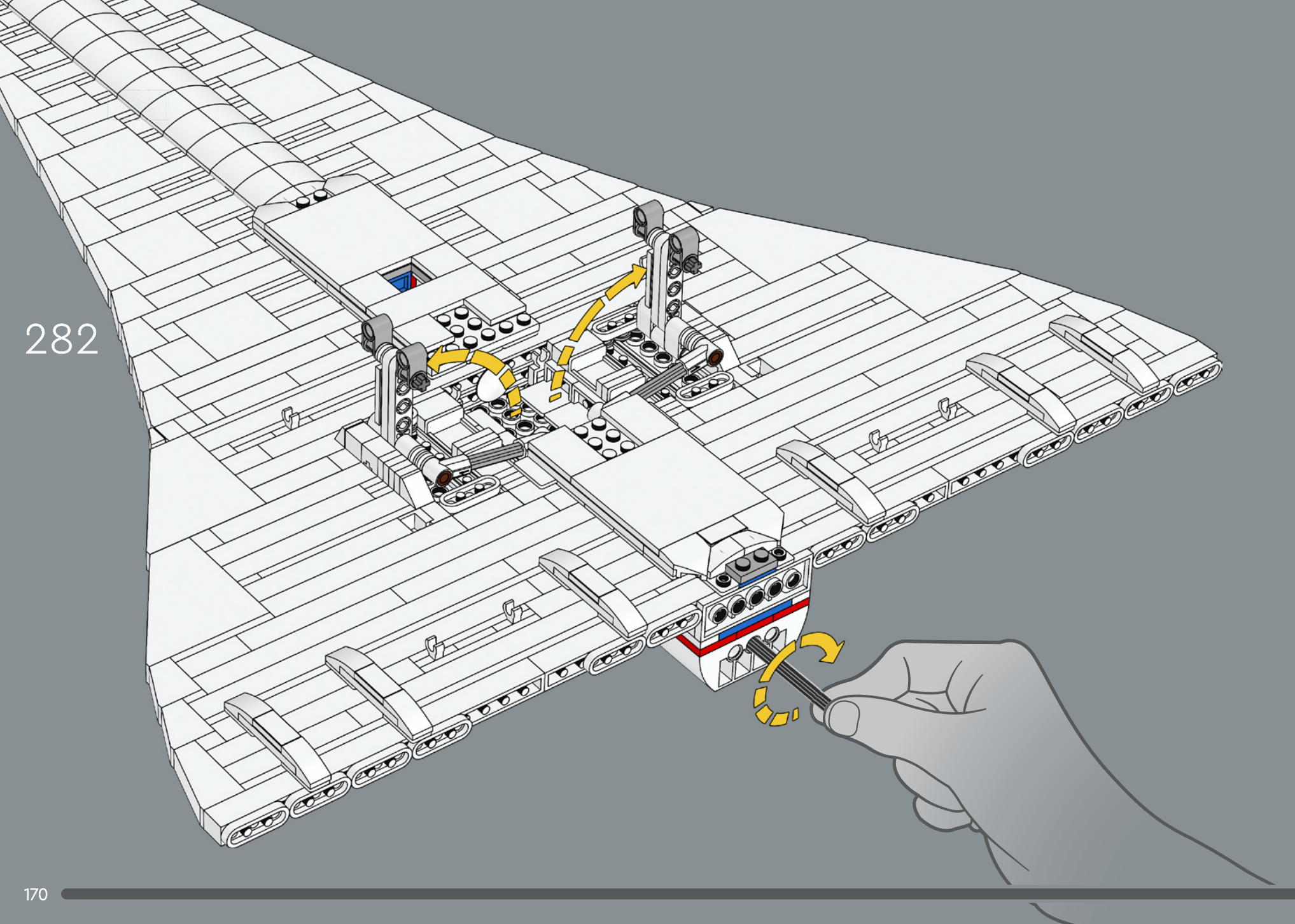




281

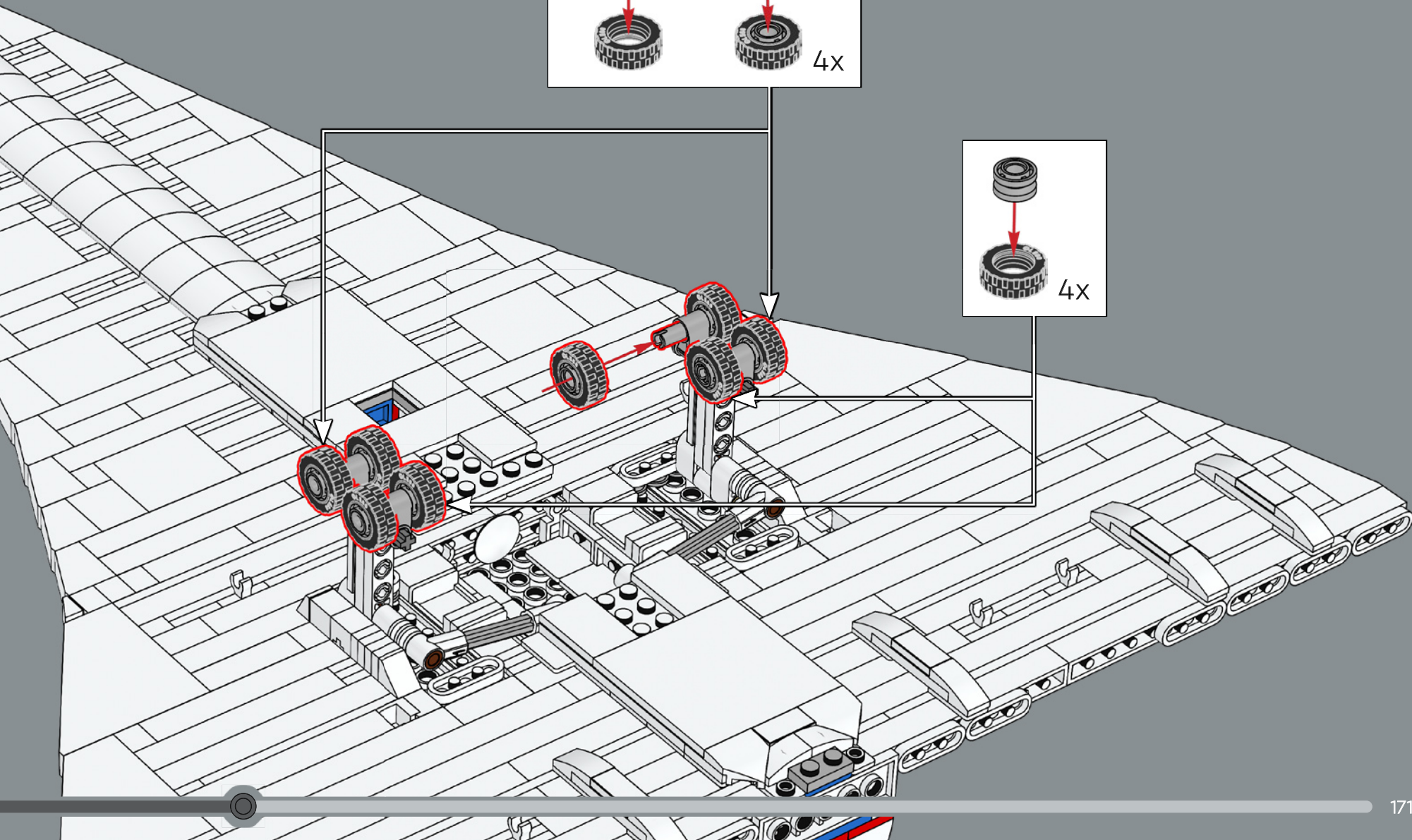
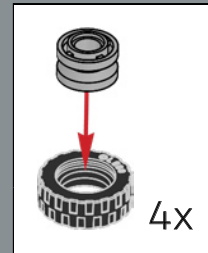
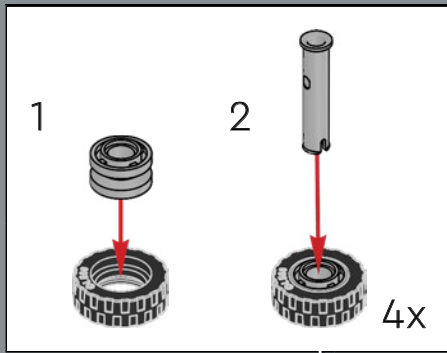


282



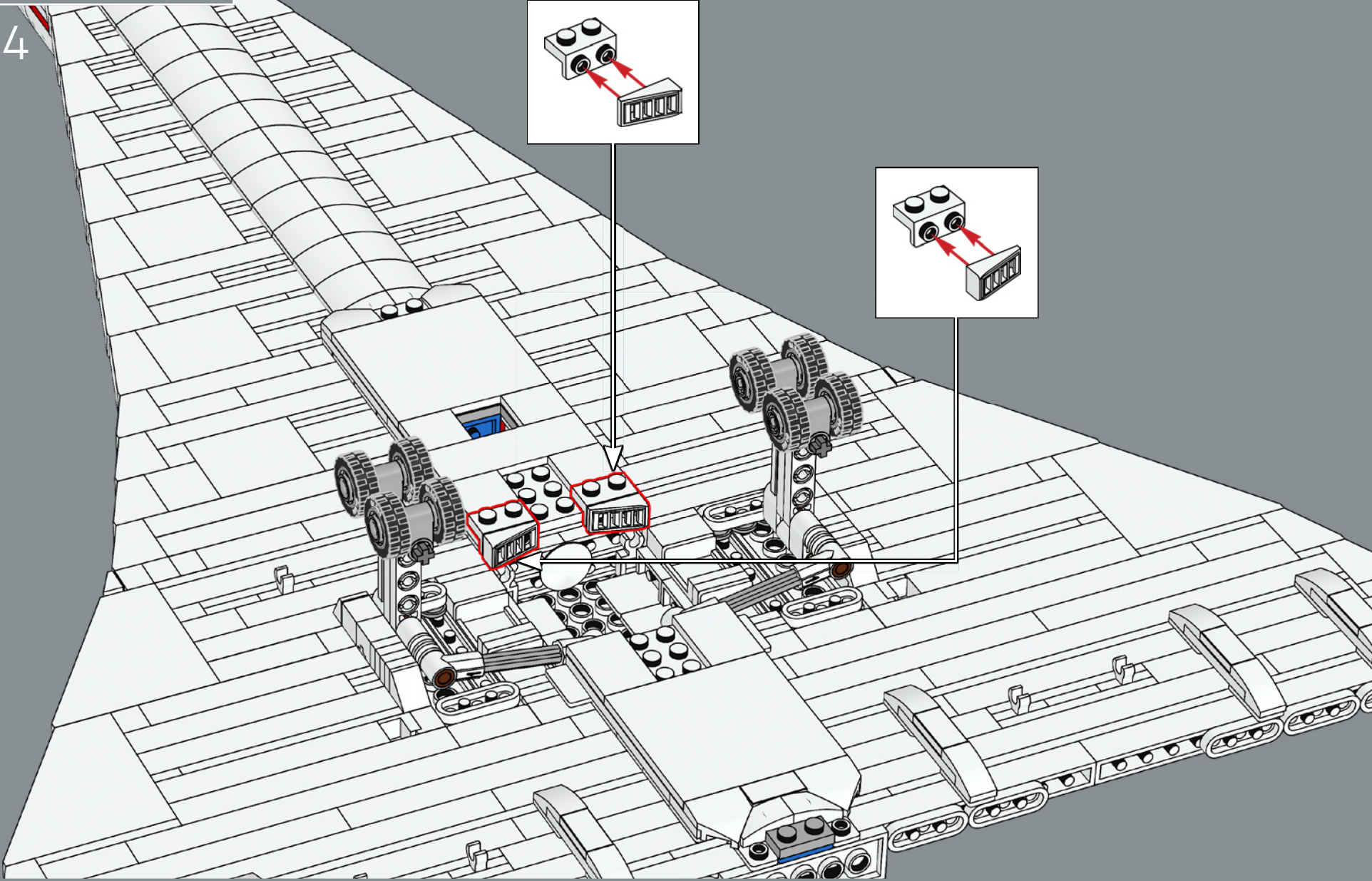
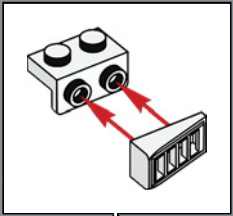
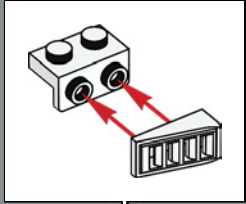


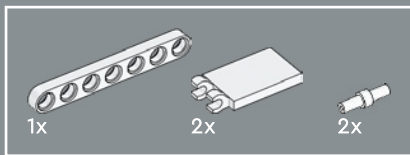
283





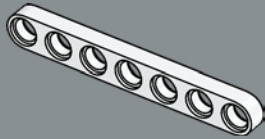
284



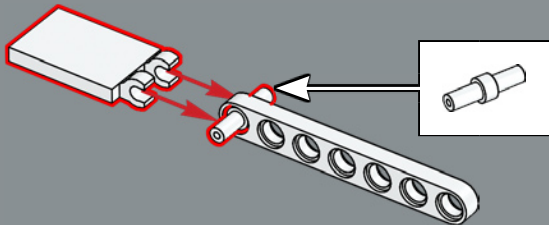


285

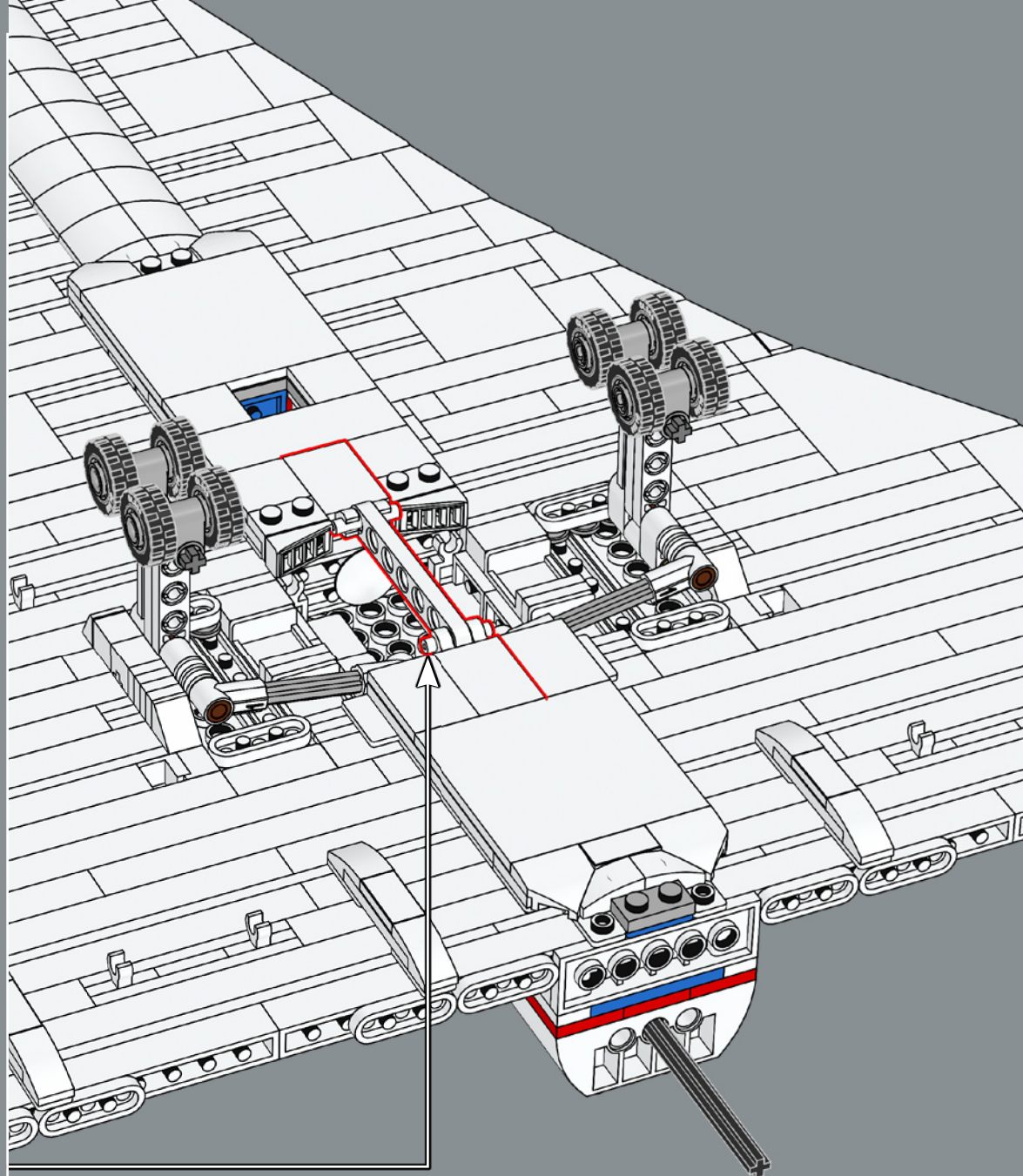
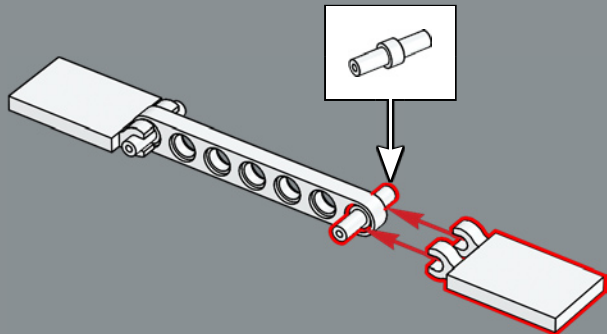
1



2

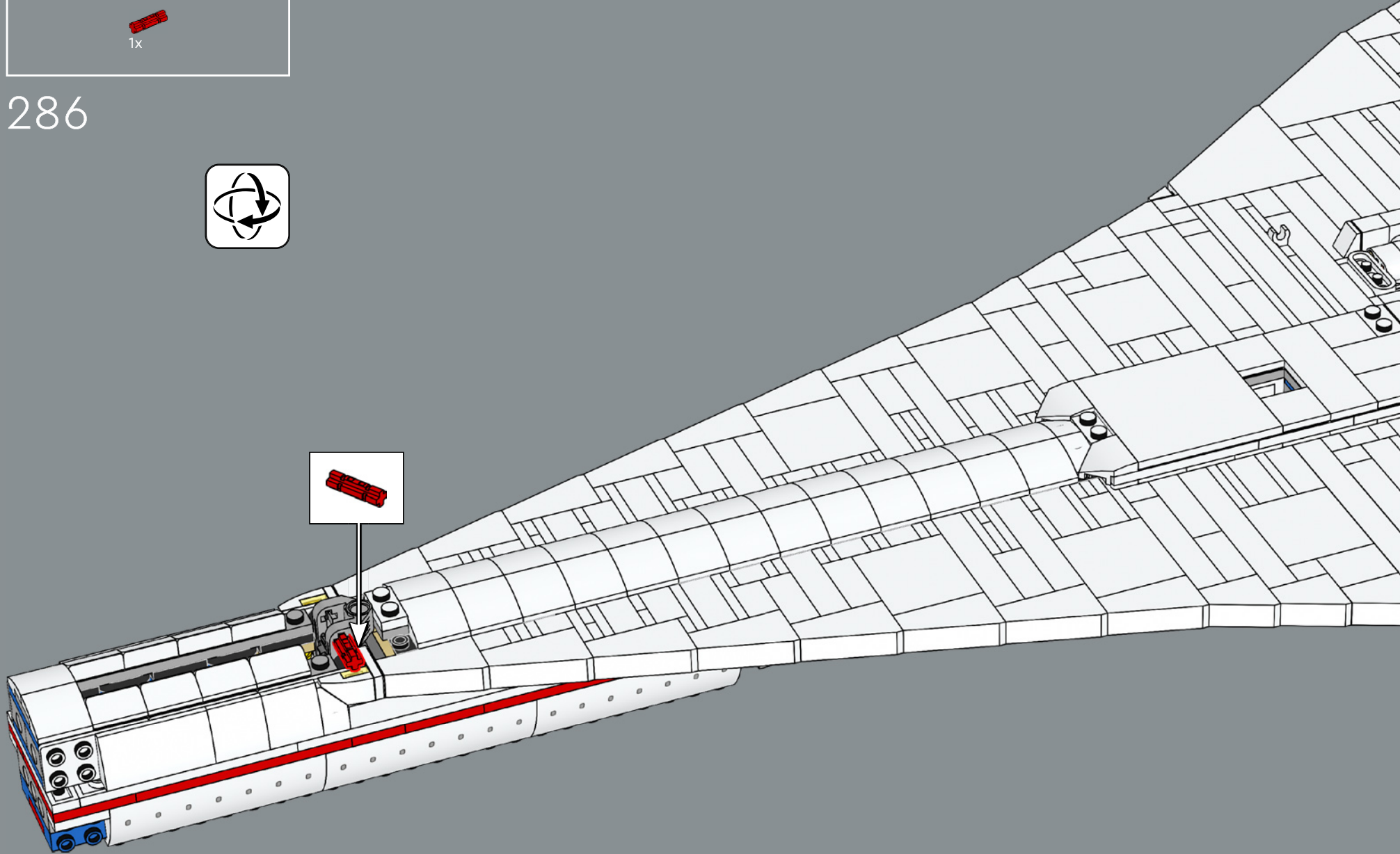


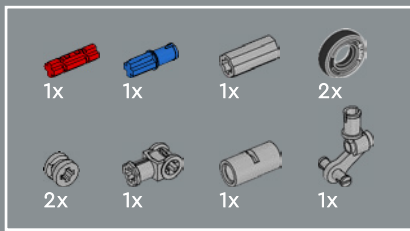
3



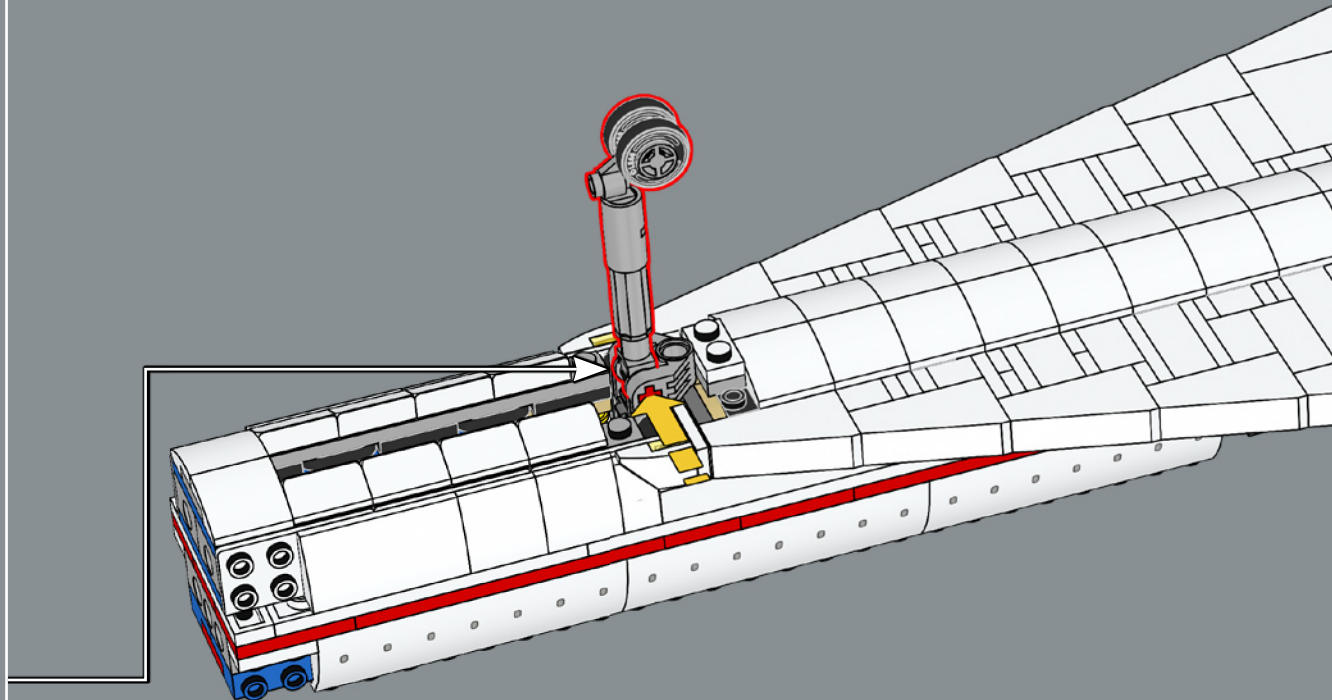
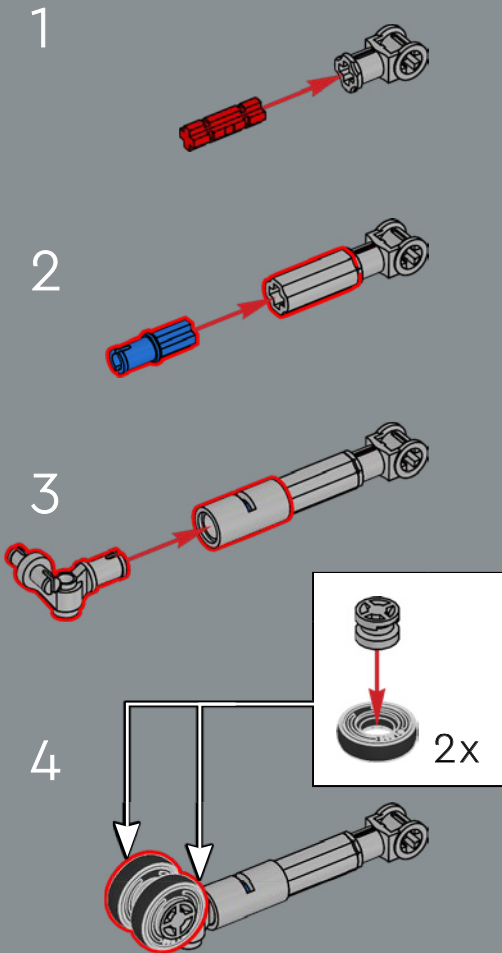
1x

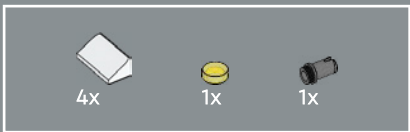
286



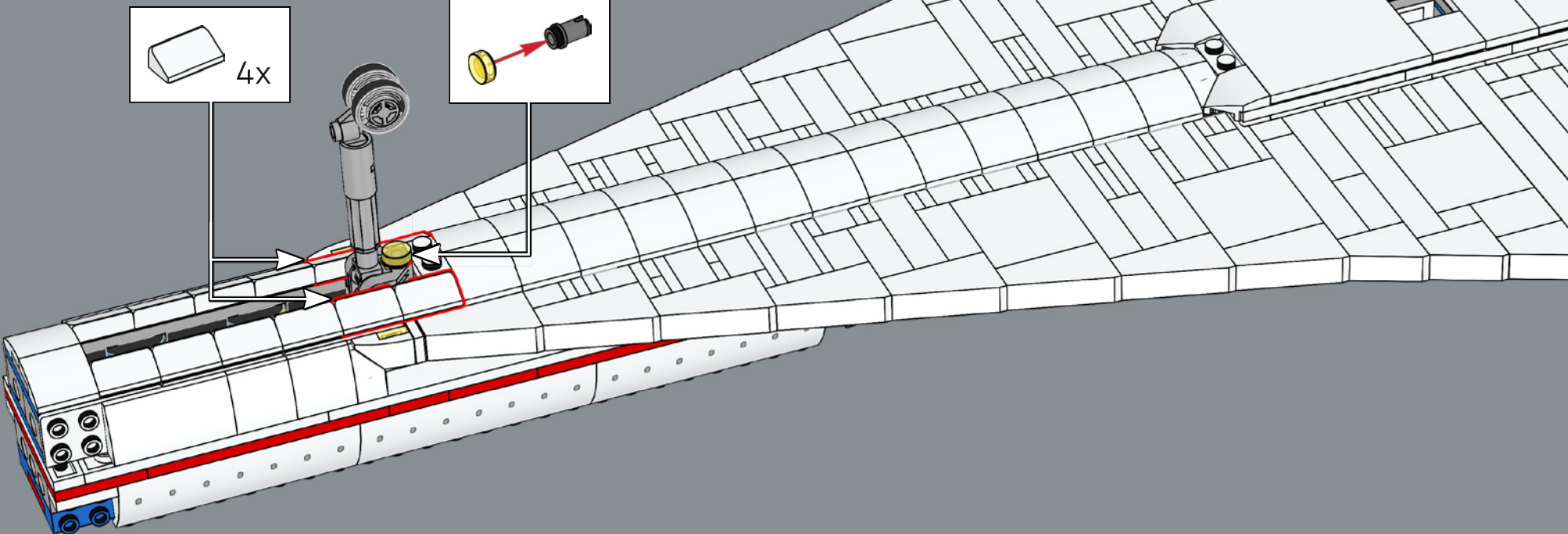


287

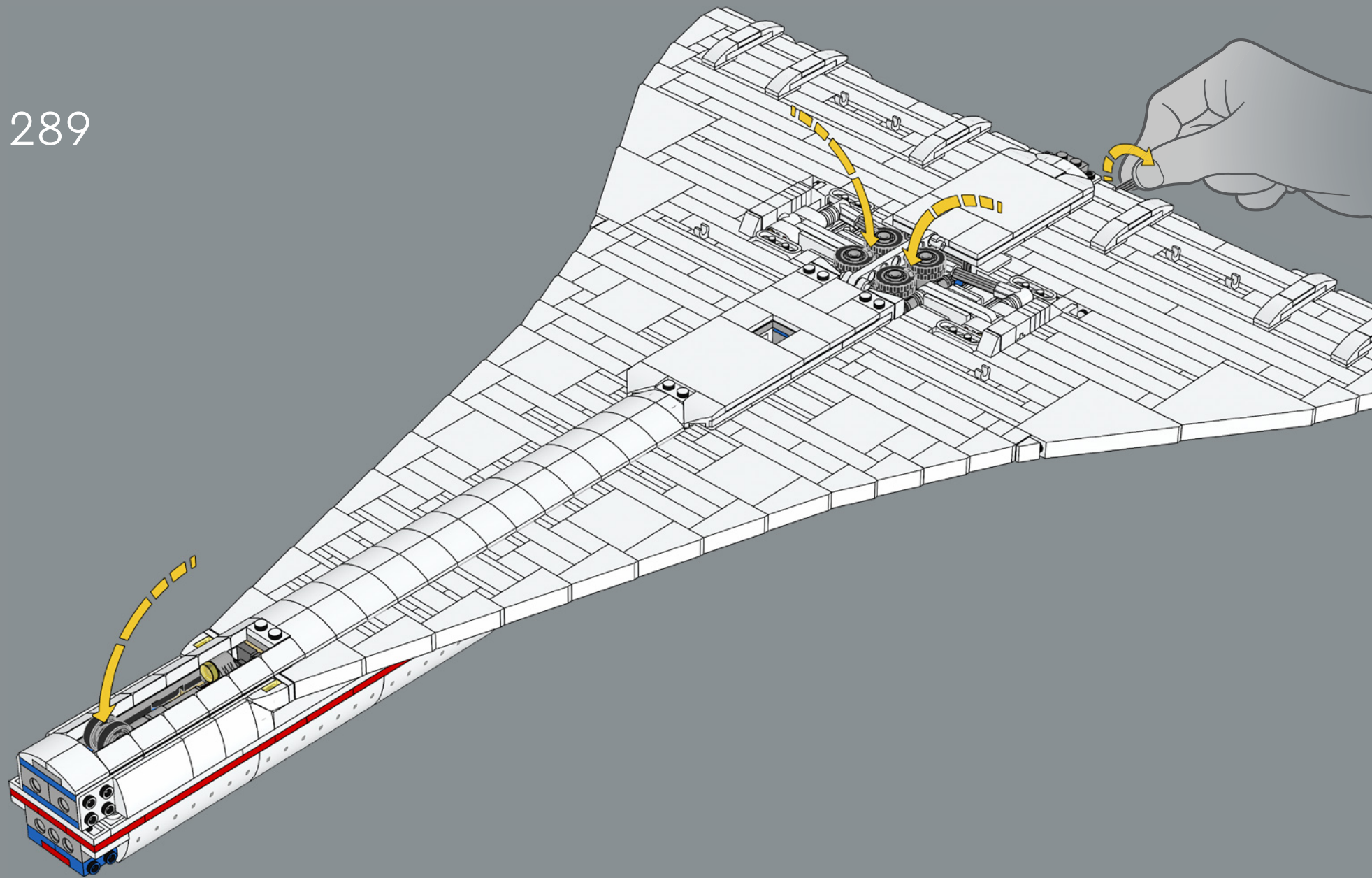




288



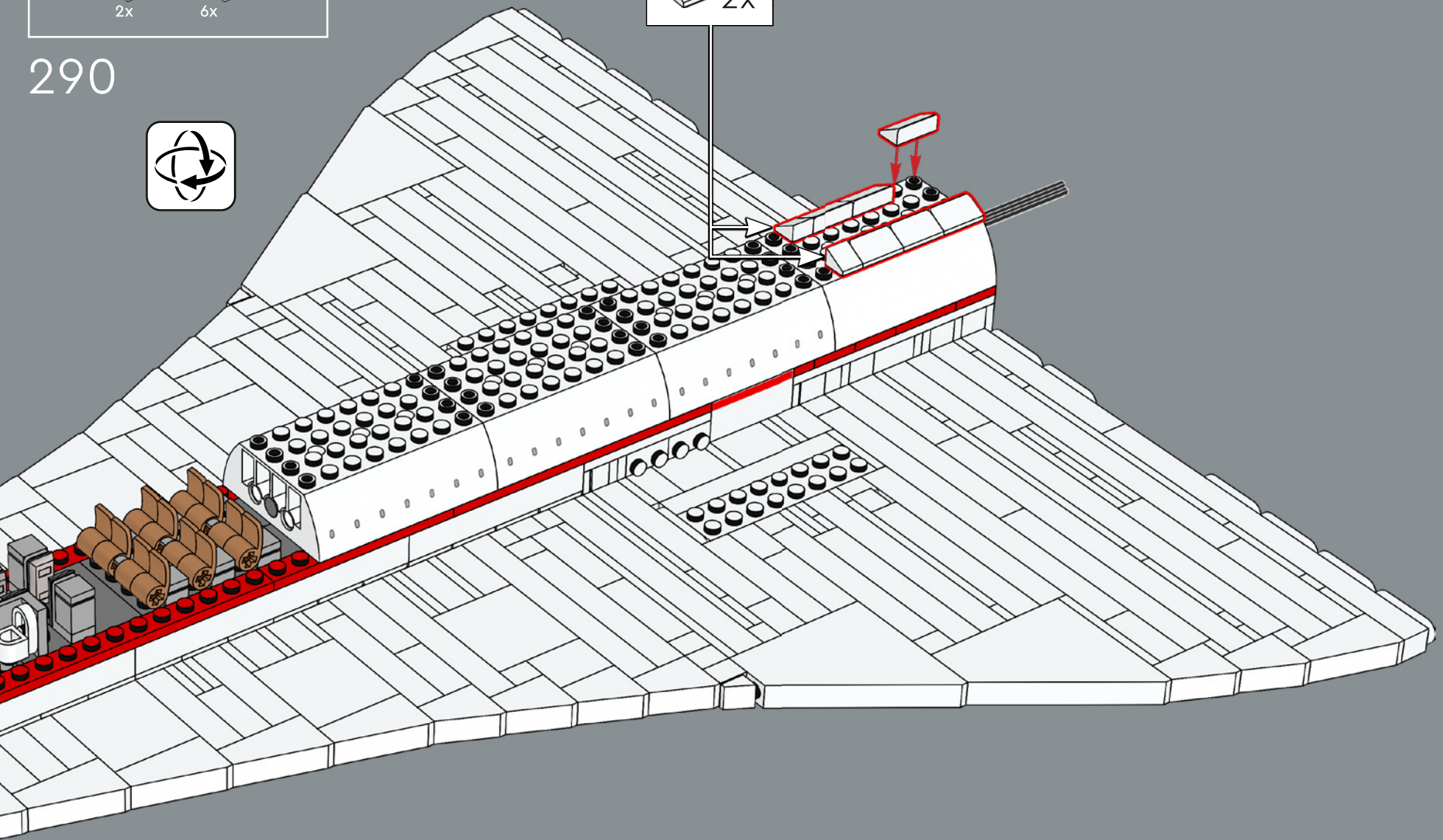
289

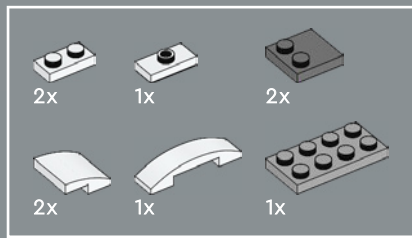


2x 6x

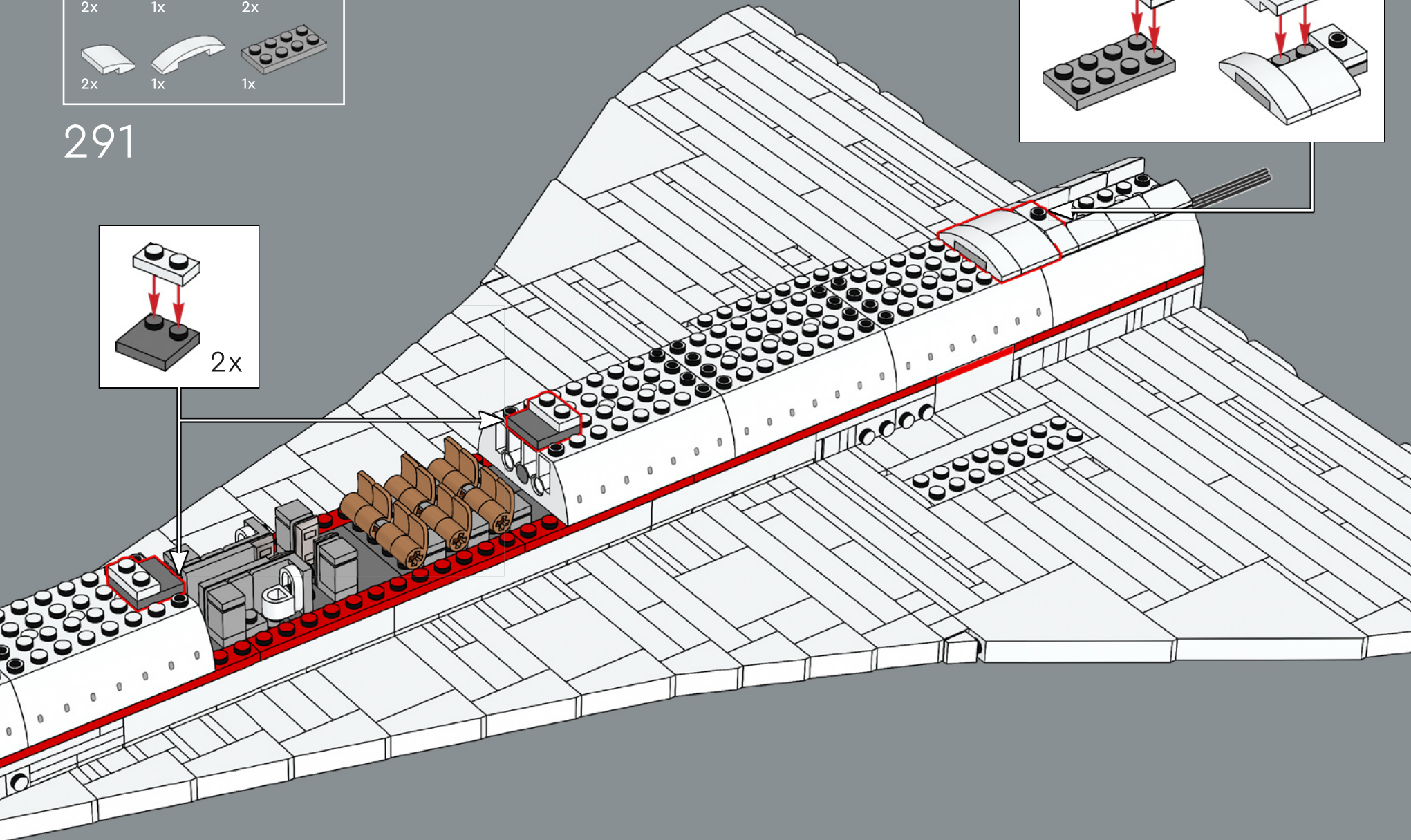
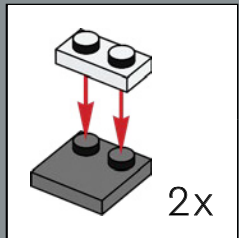
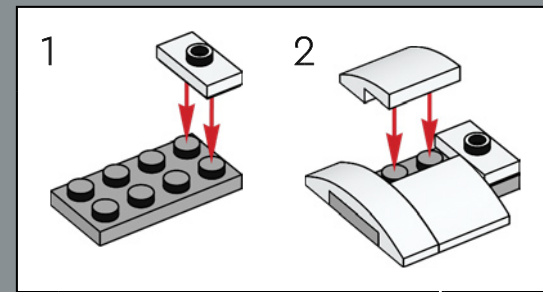
2x

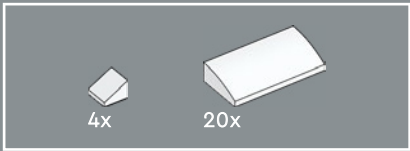
290



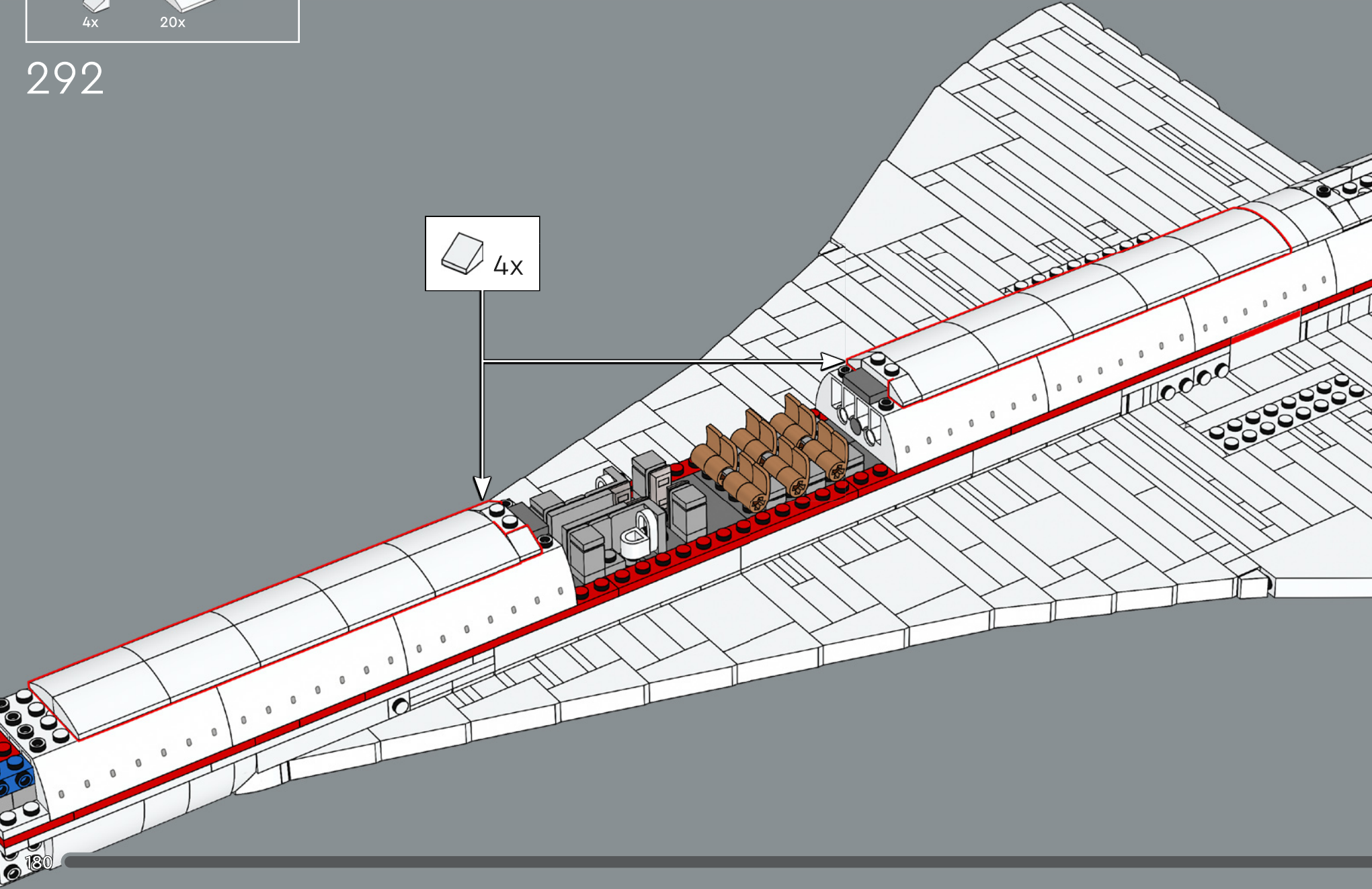
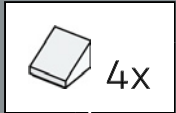


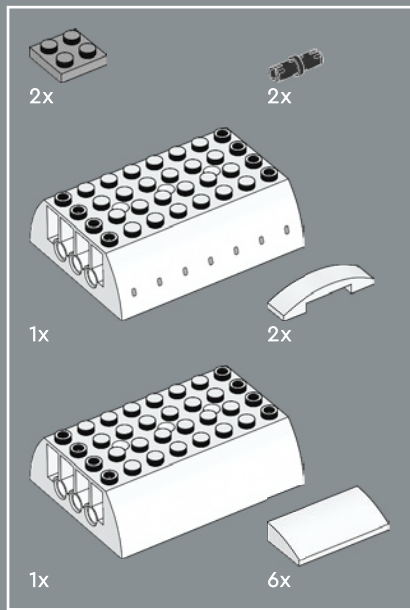
291



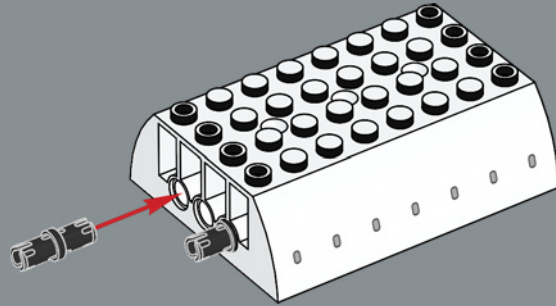


292

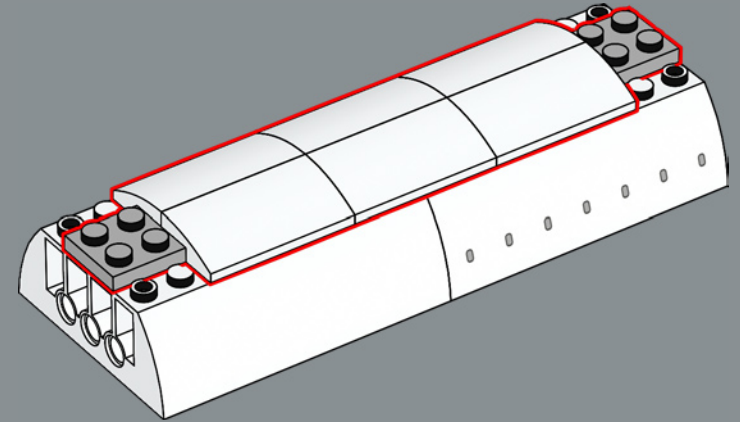




1

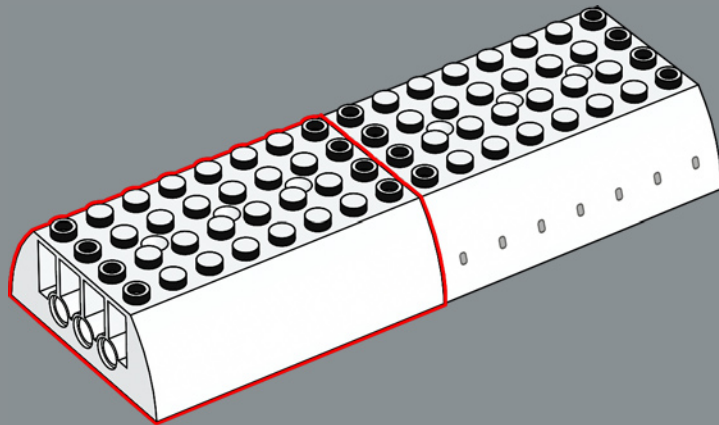


3

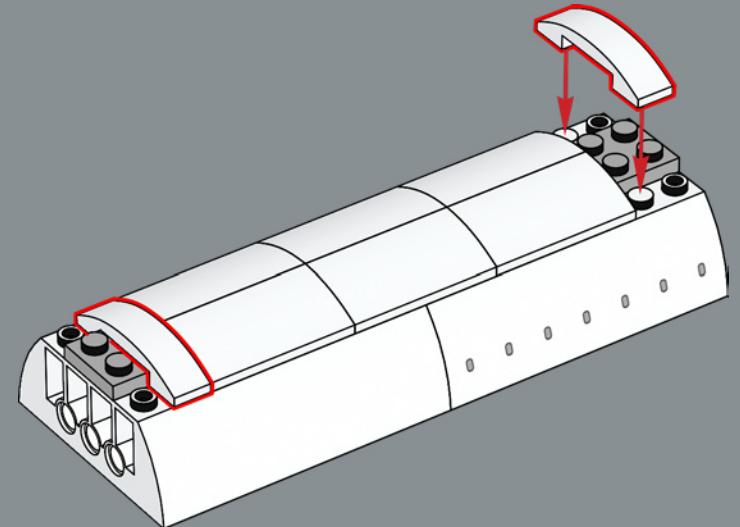


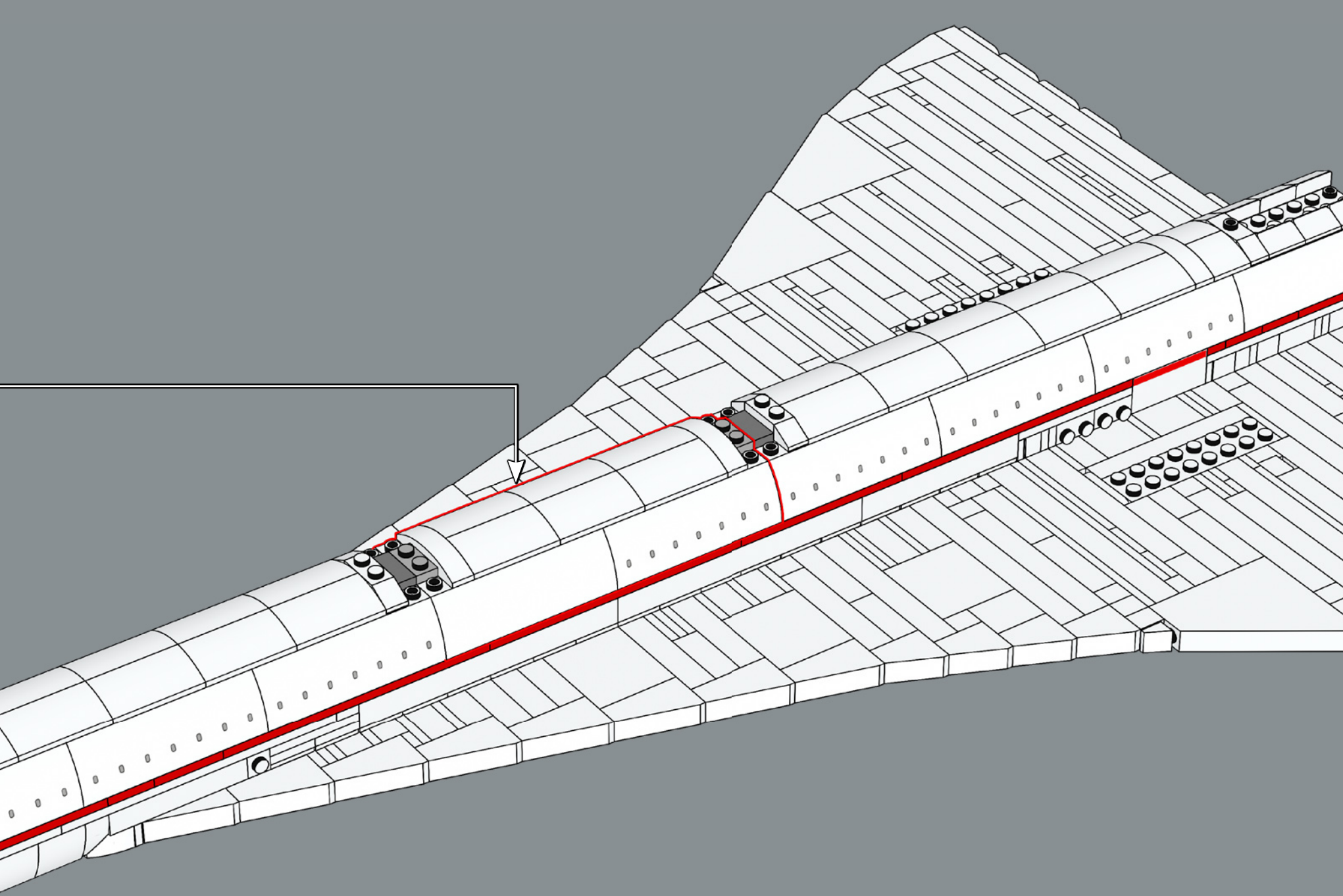
293

2



4



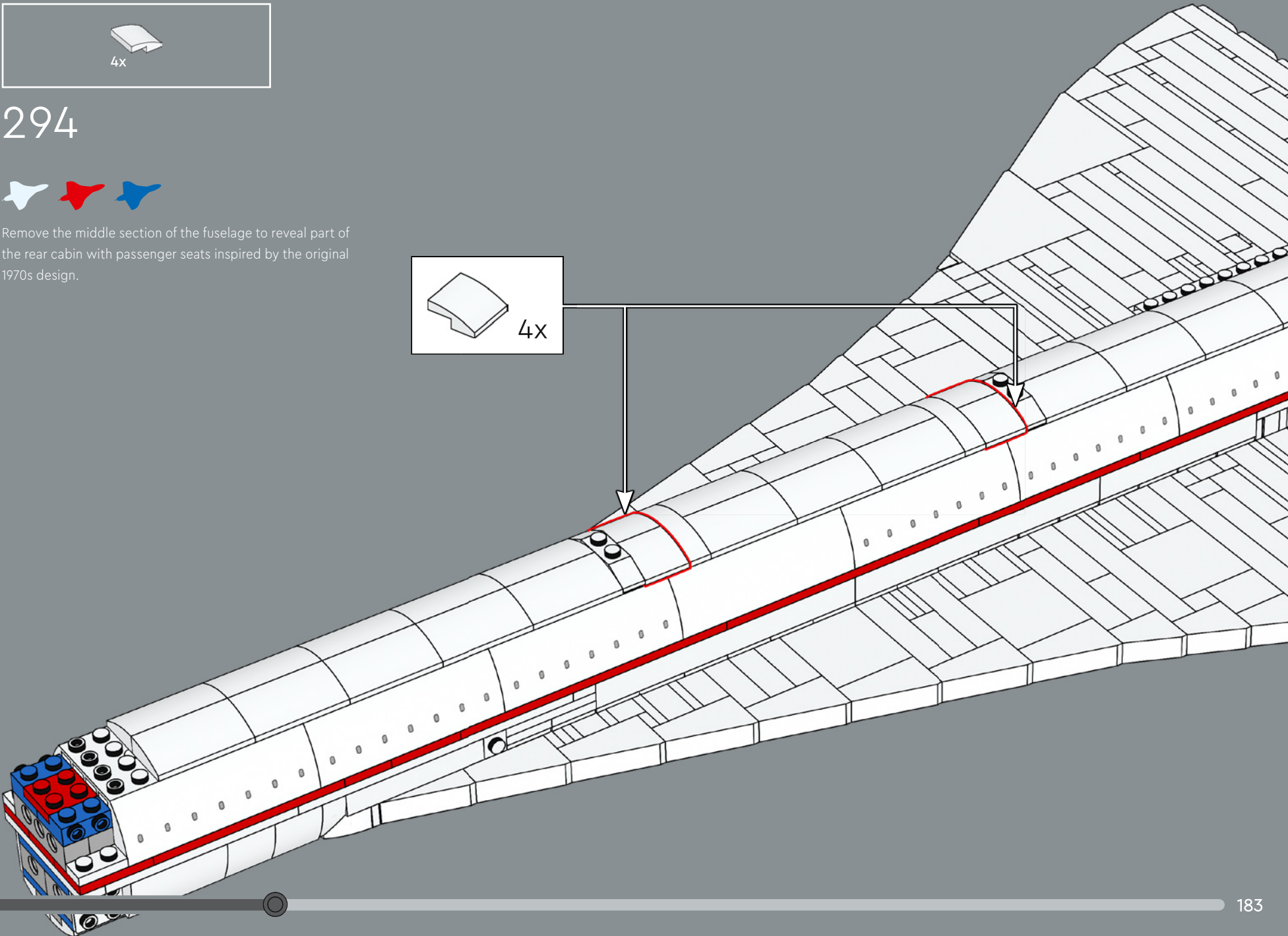
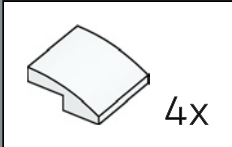


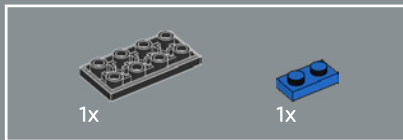
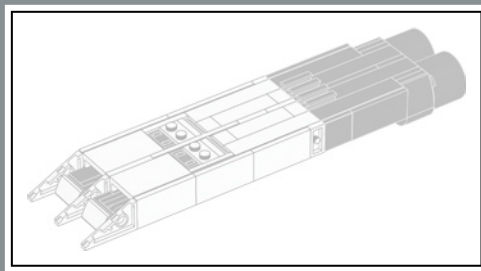


294

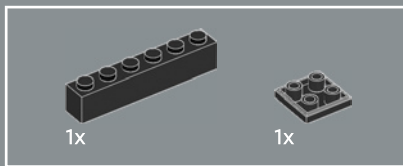
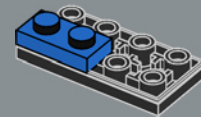


Remove the middle section of the fuselage to reveal part of the rear cabin with passenger seats inspired by the original 1970s design.

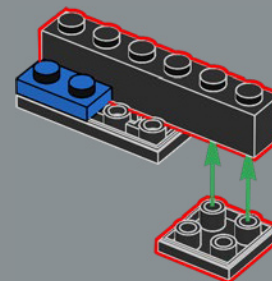


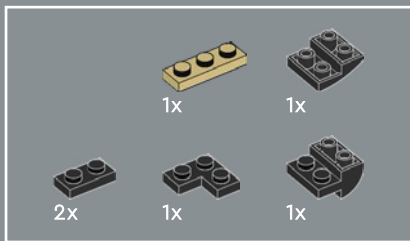


295

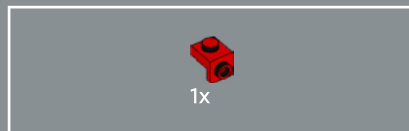
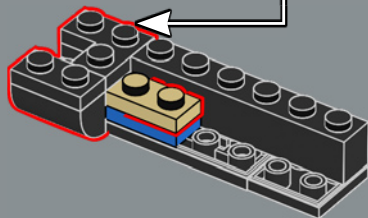
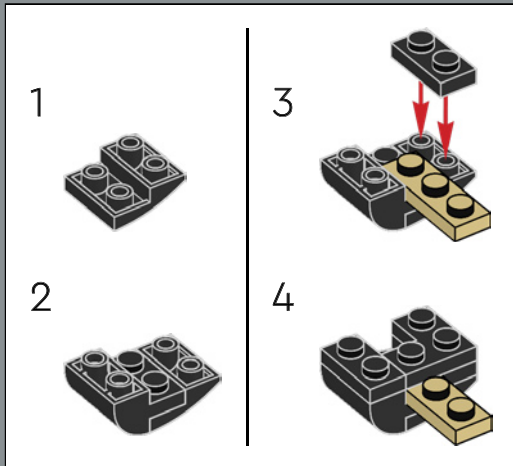


296

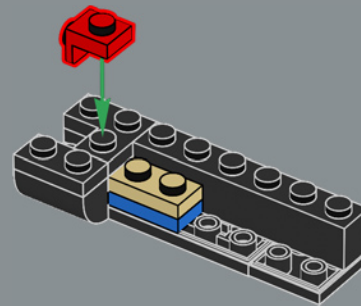




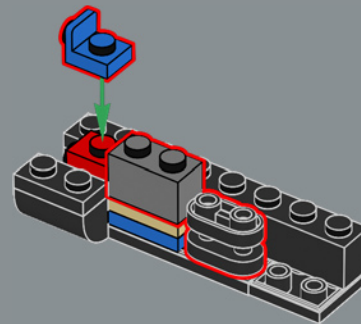
297

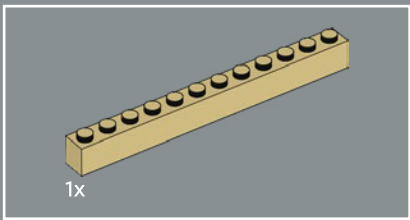


298

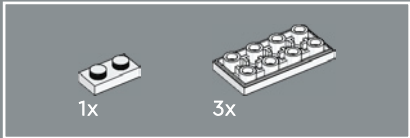
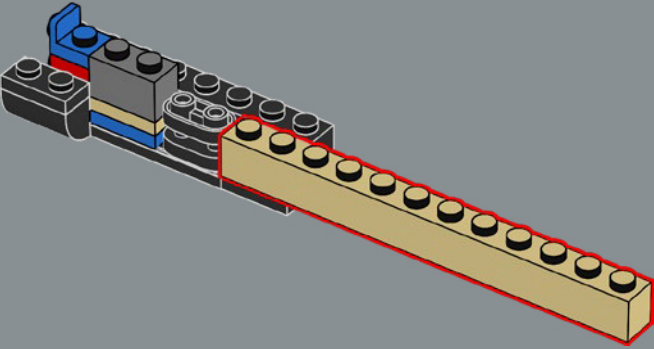


299

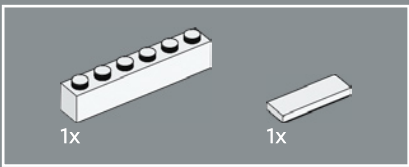
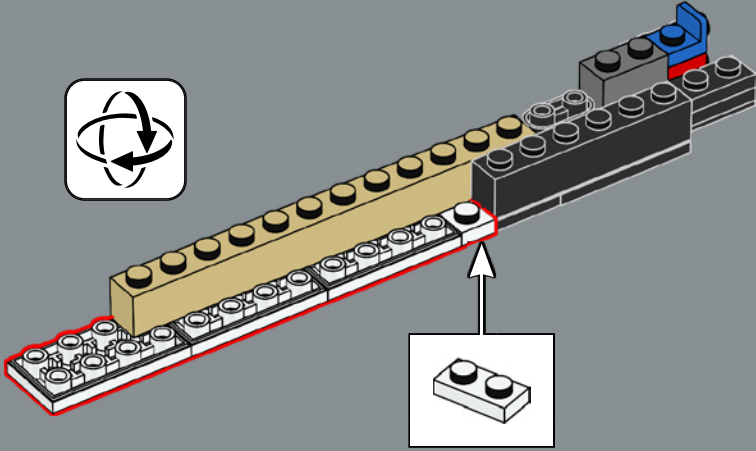




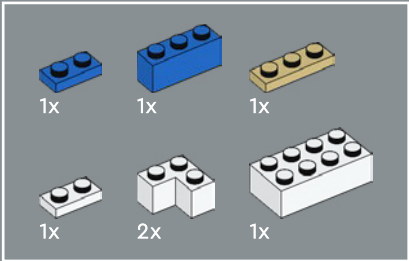
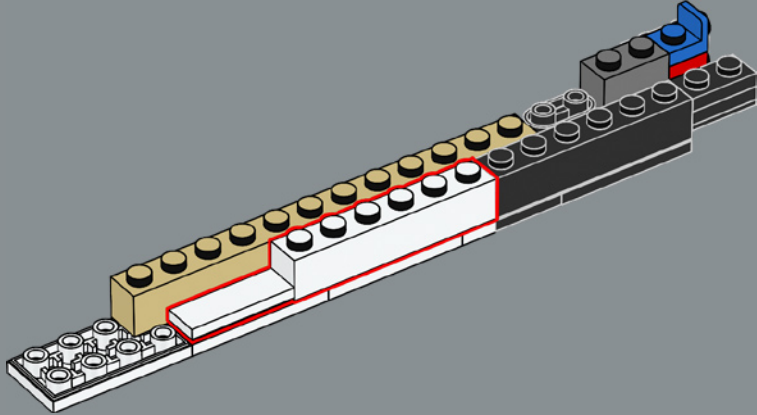
300



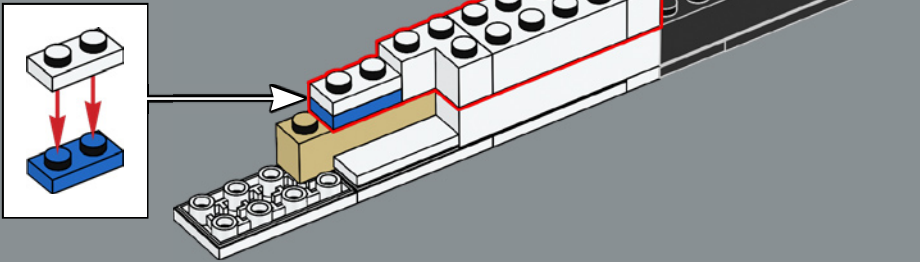
301

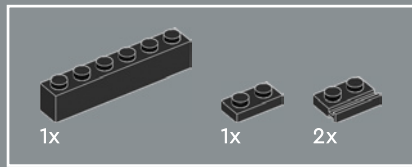


302

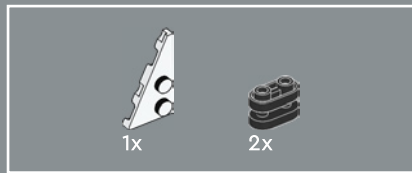
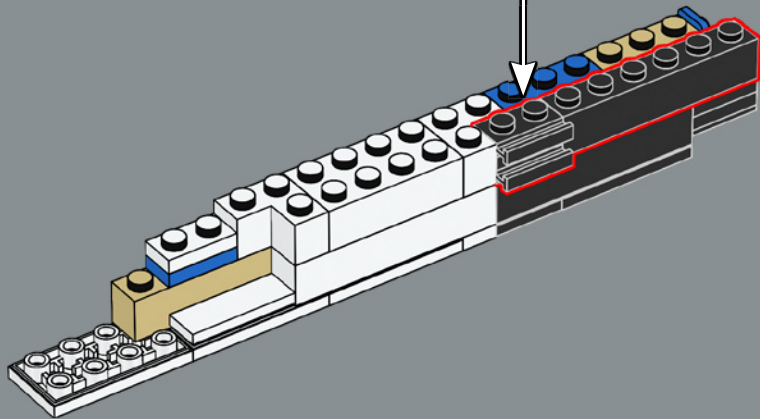
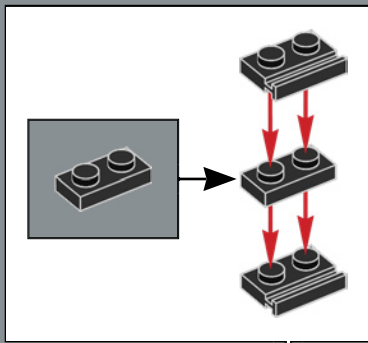


303

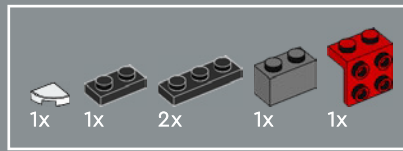
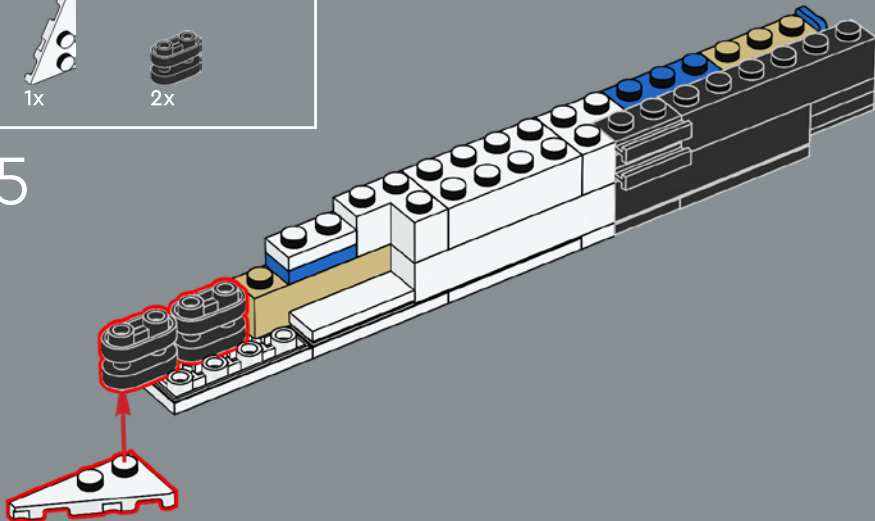




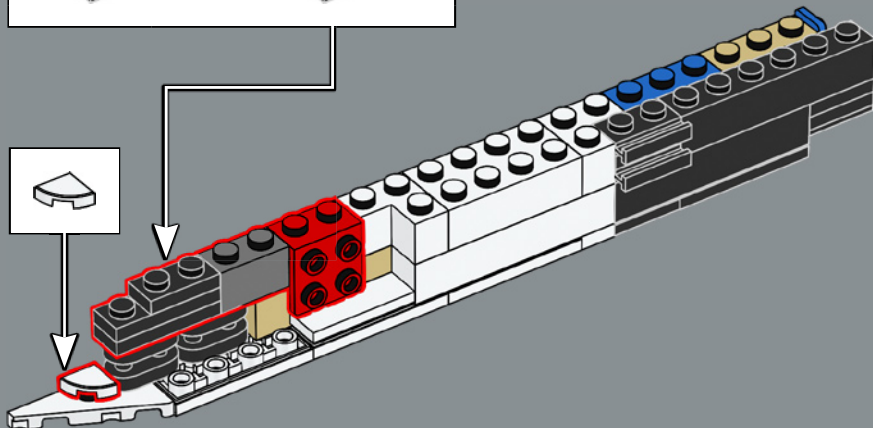
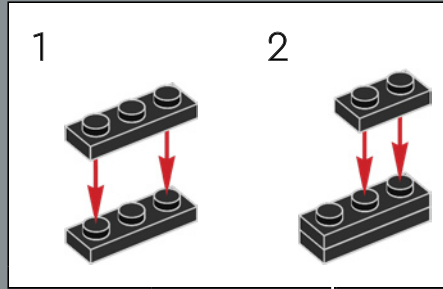
304

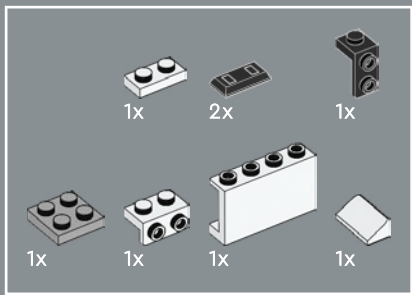


305

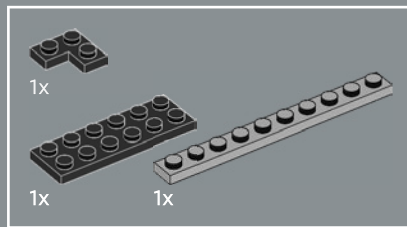
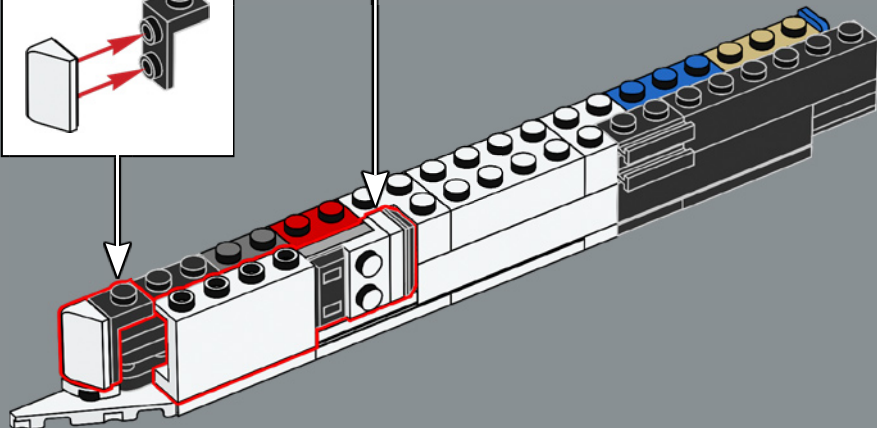
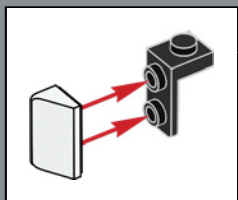
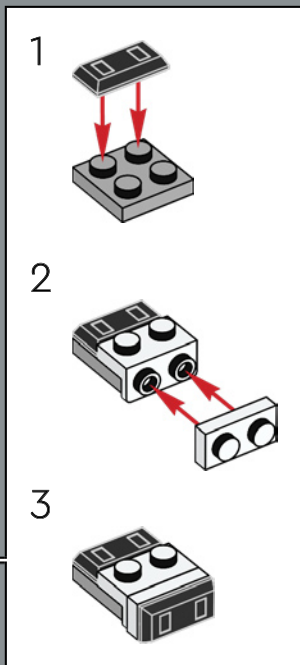


306

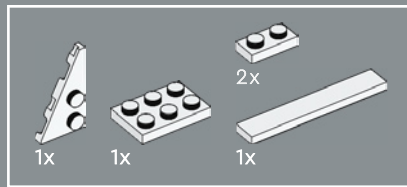
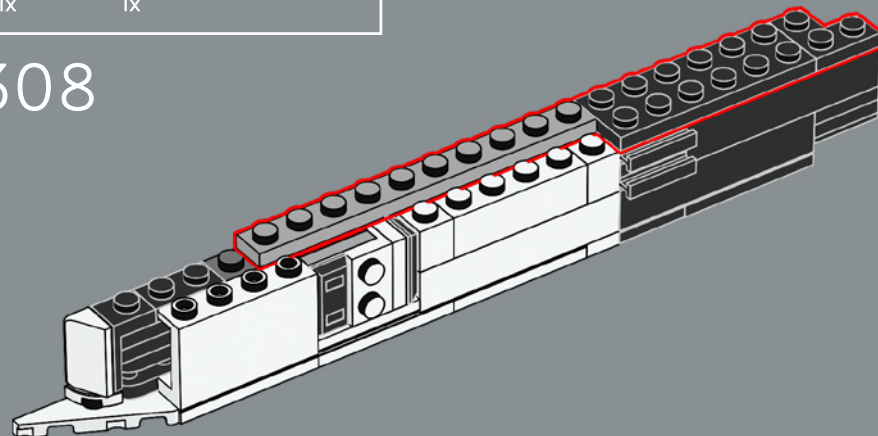




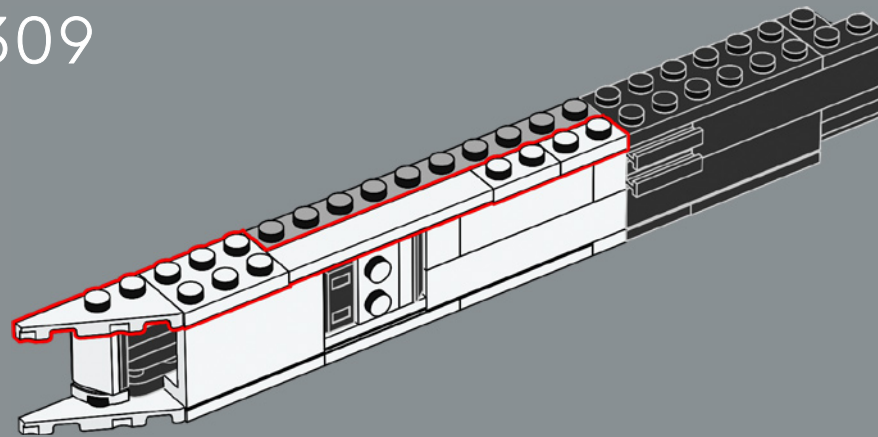
307

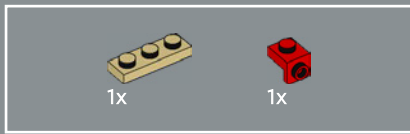


308

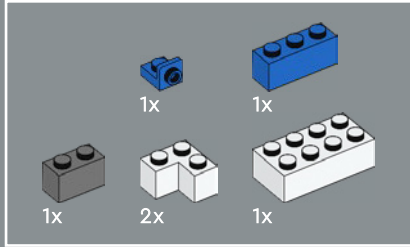
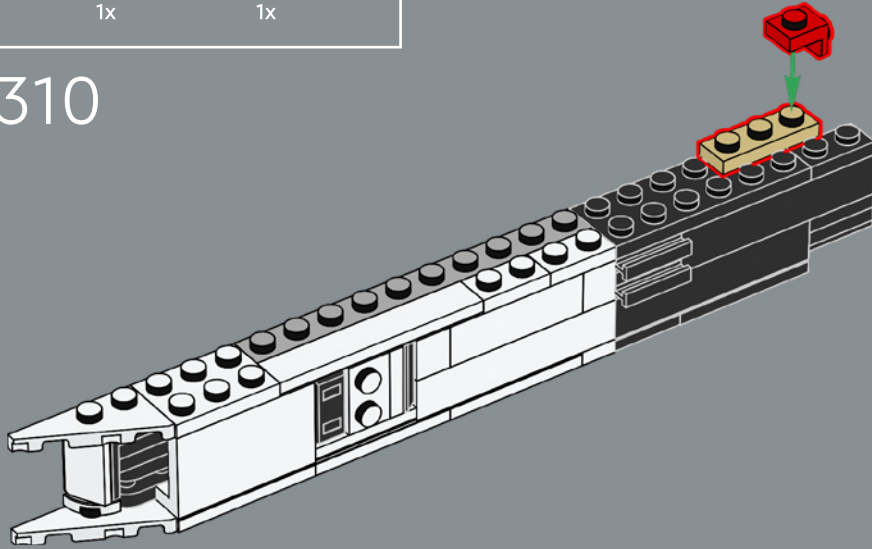


309

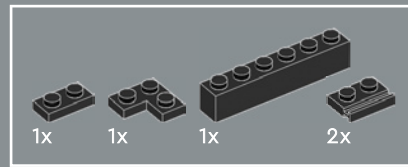
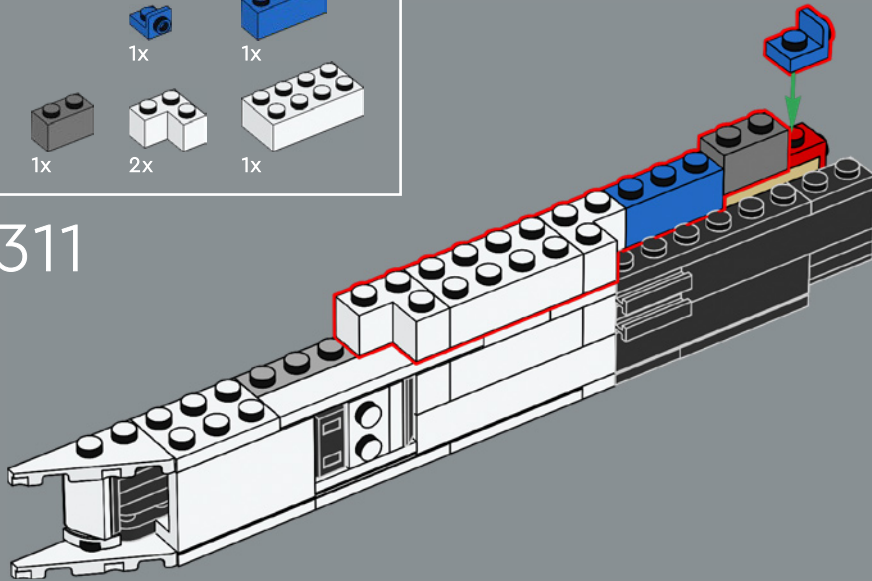




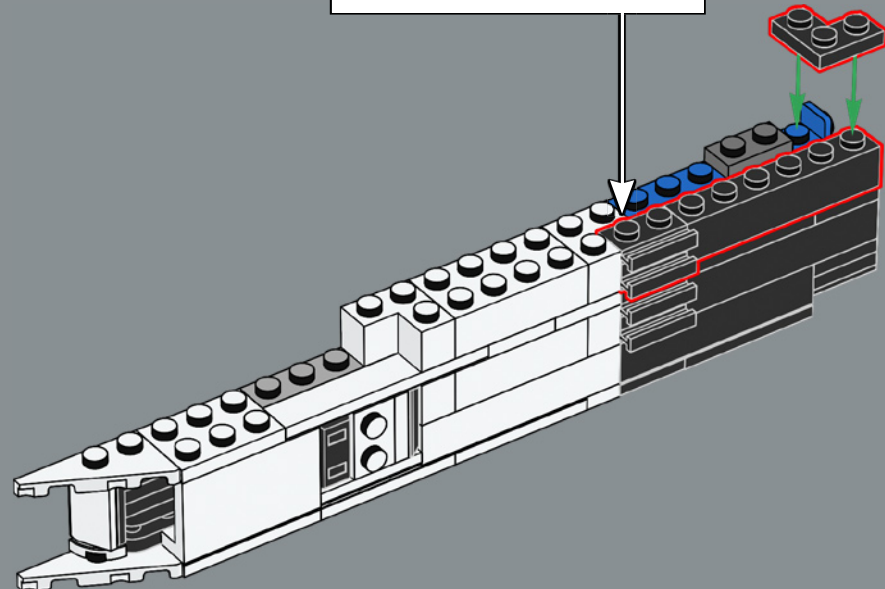
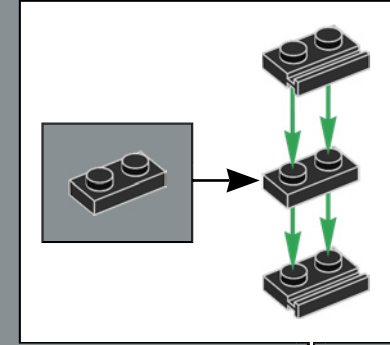
310

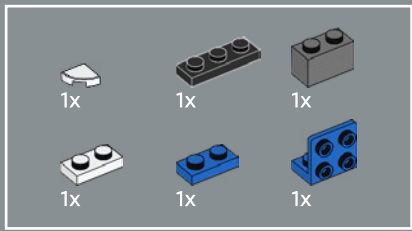


311

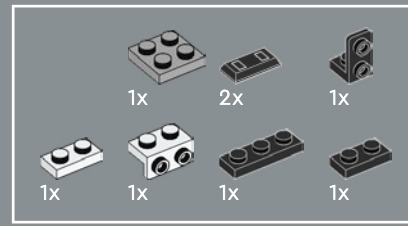
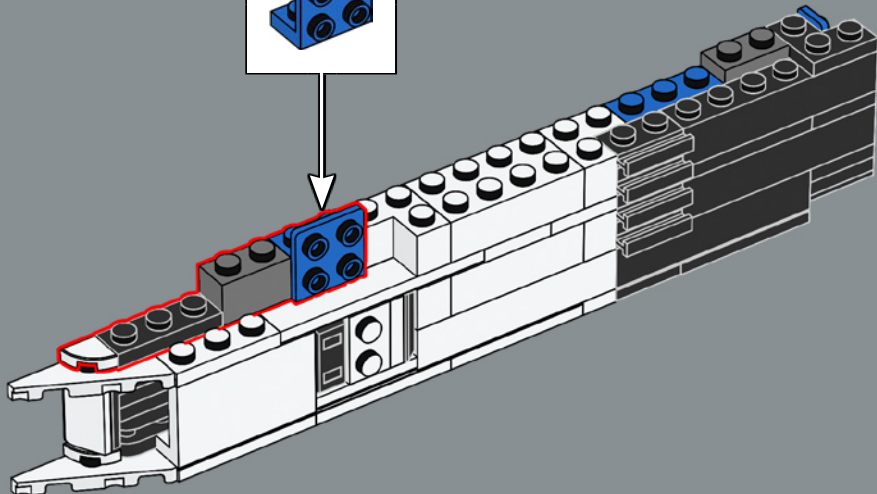
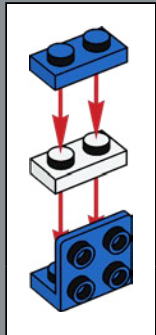


312

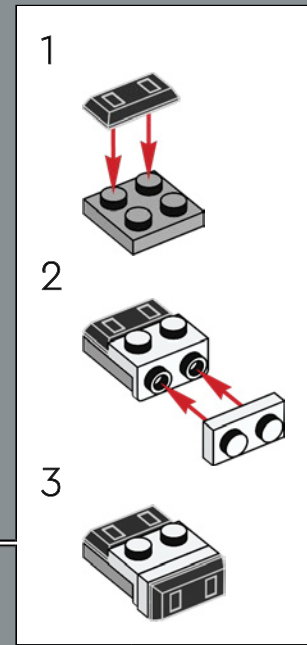
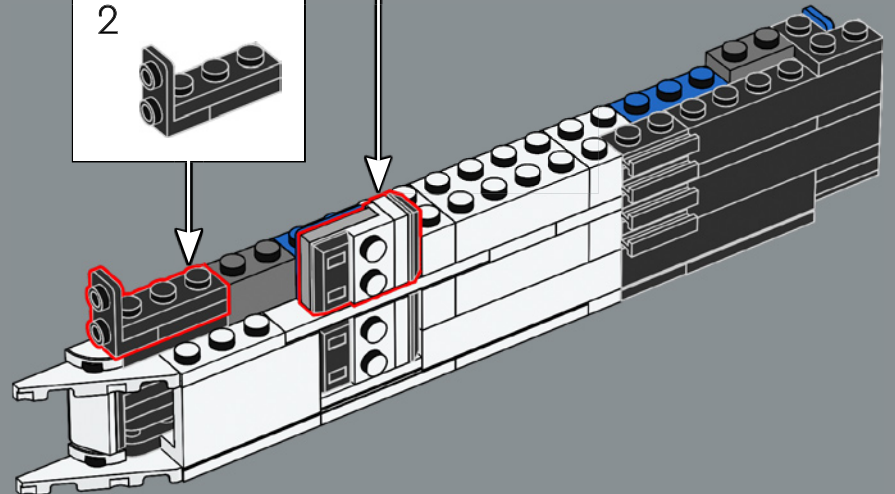
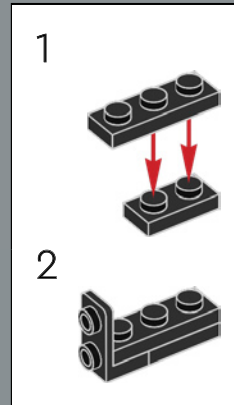


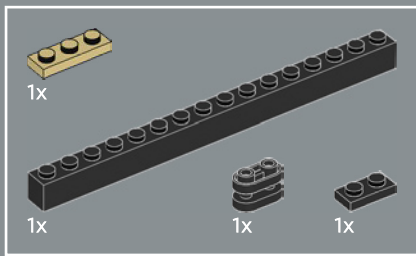


313

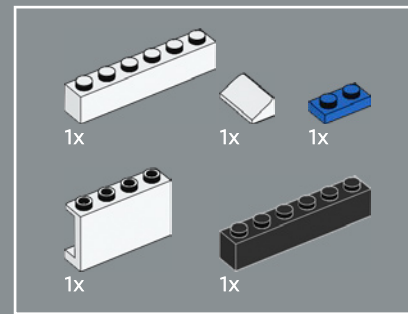
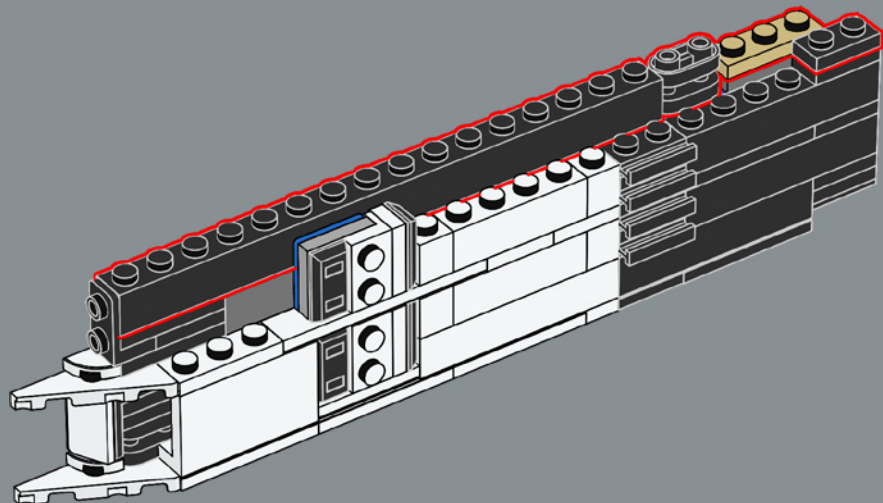


314

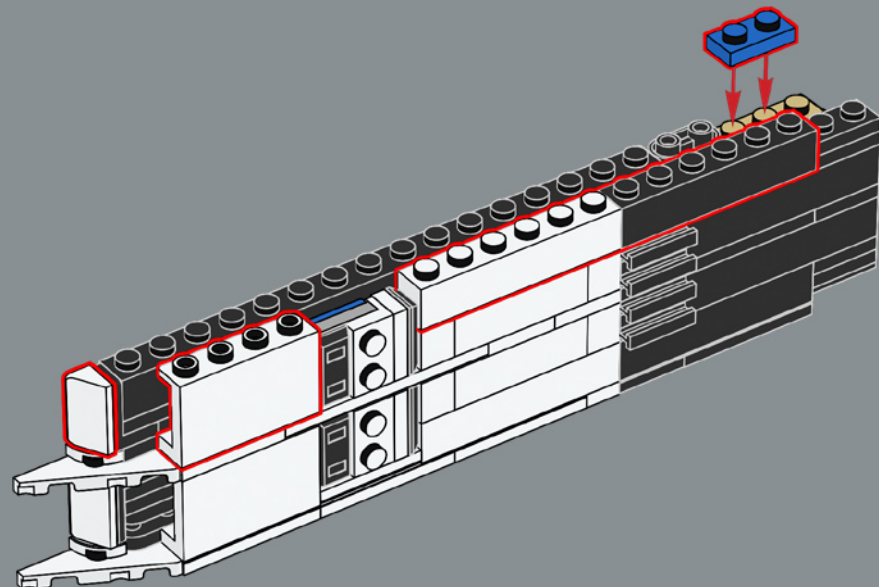


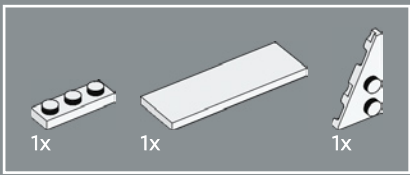


315

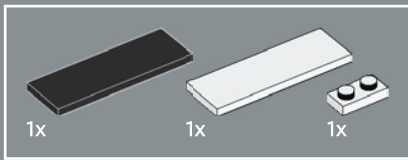
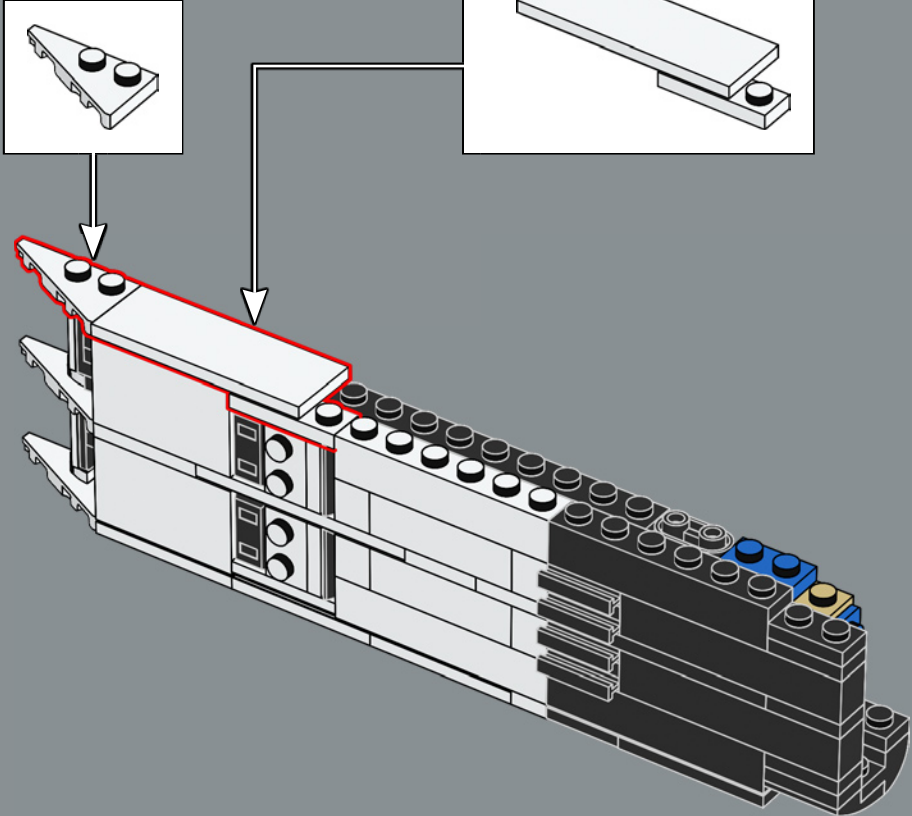
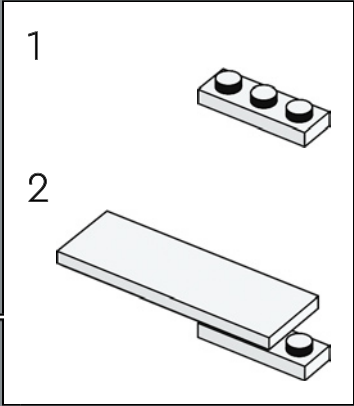


316

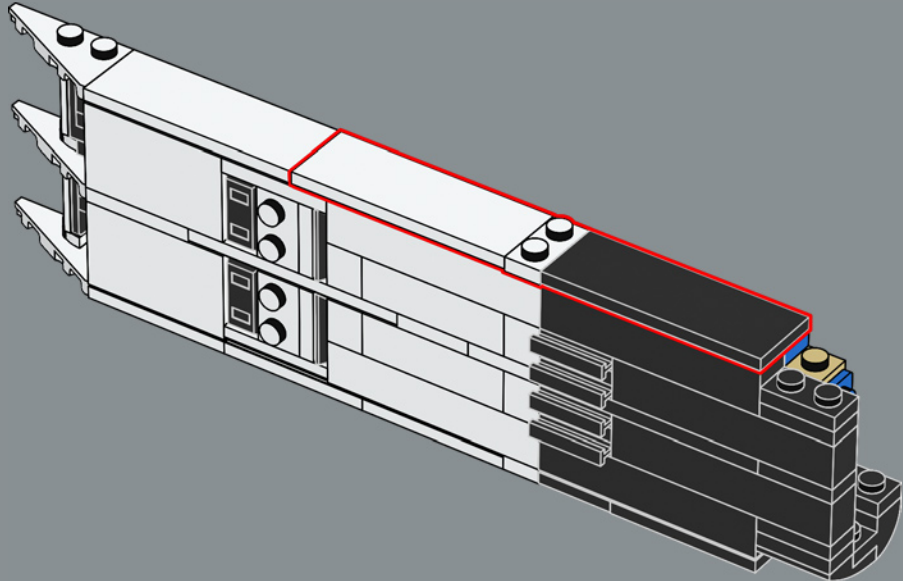




317

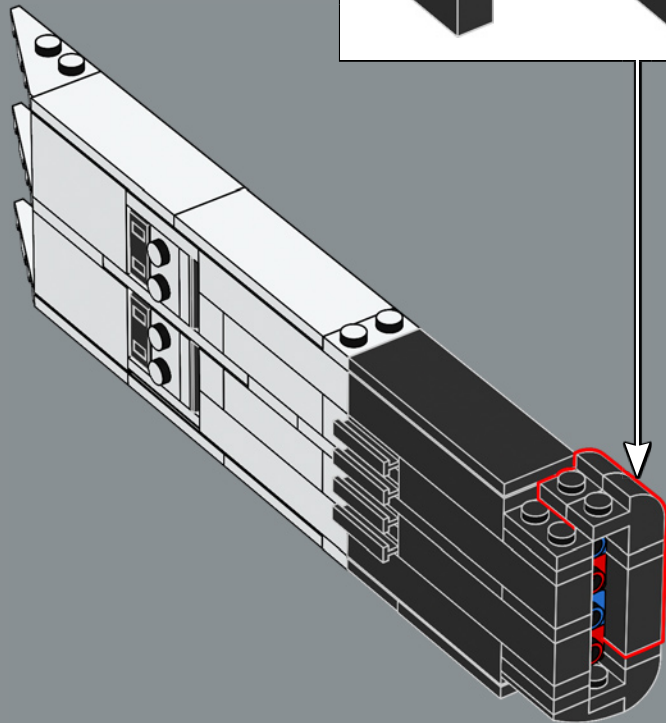
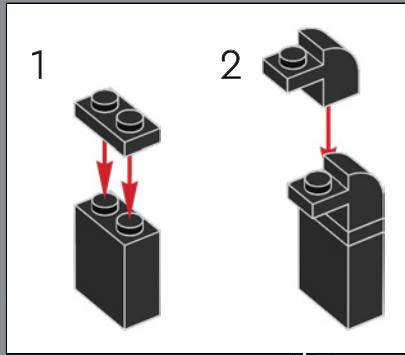


318

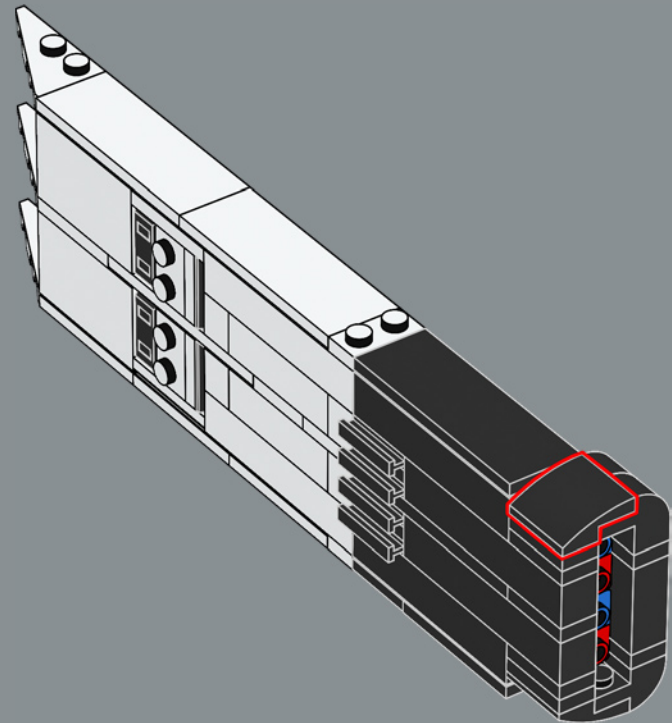




319

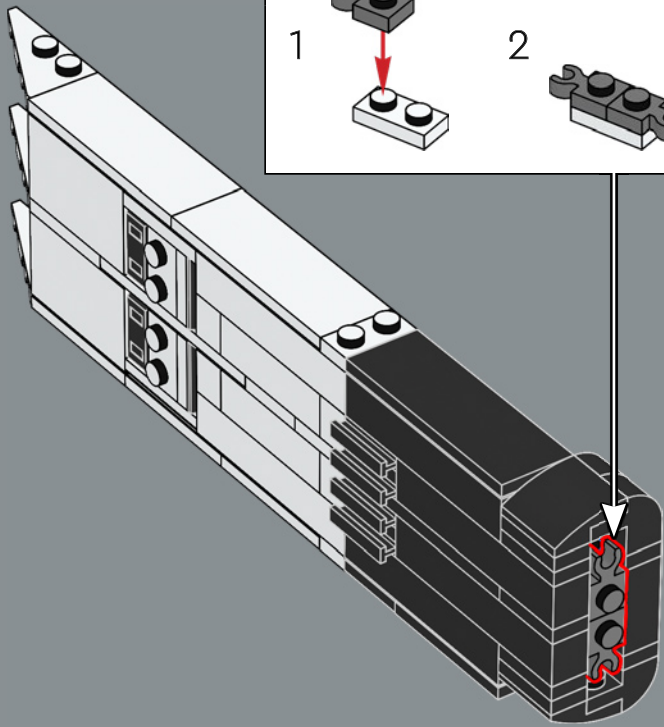
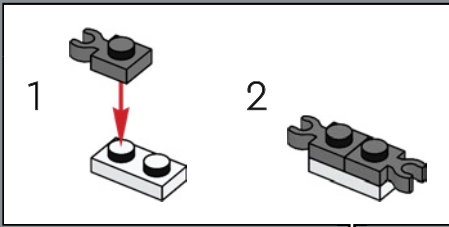


320

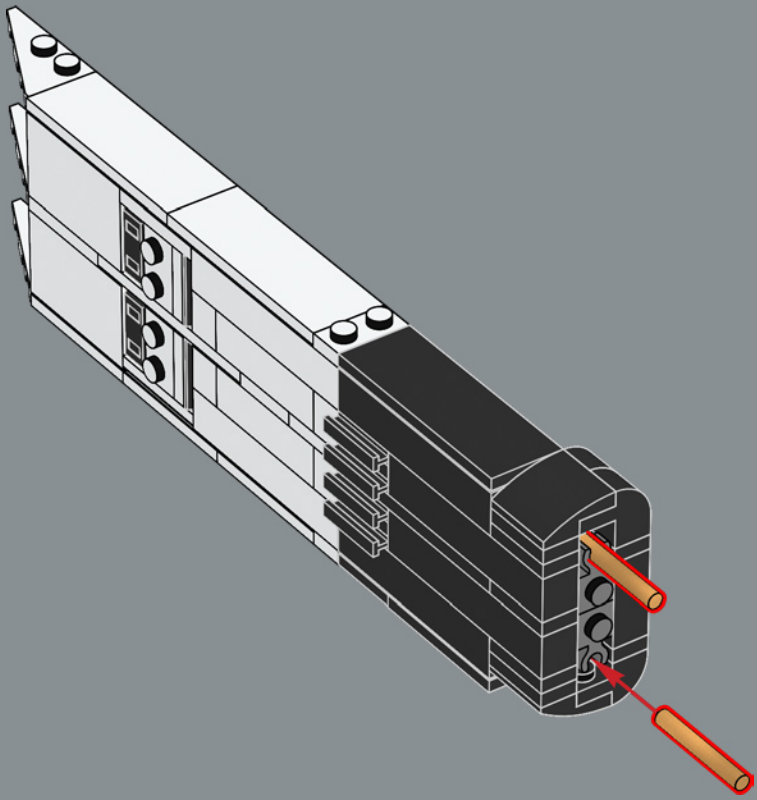


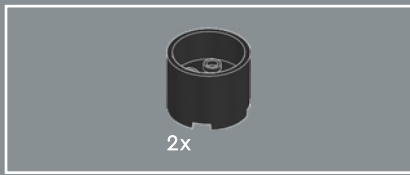


321

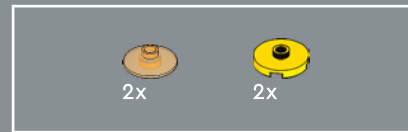
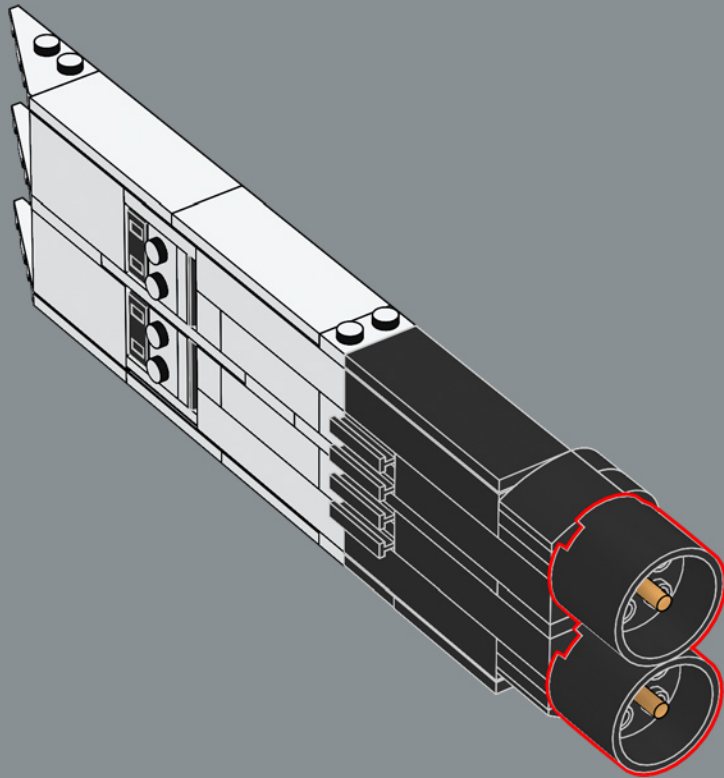


322

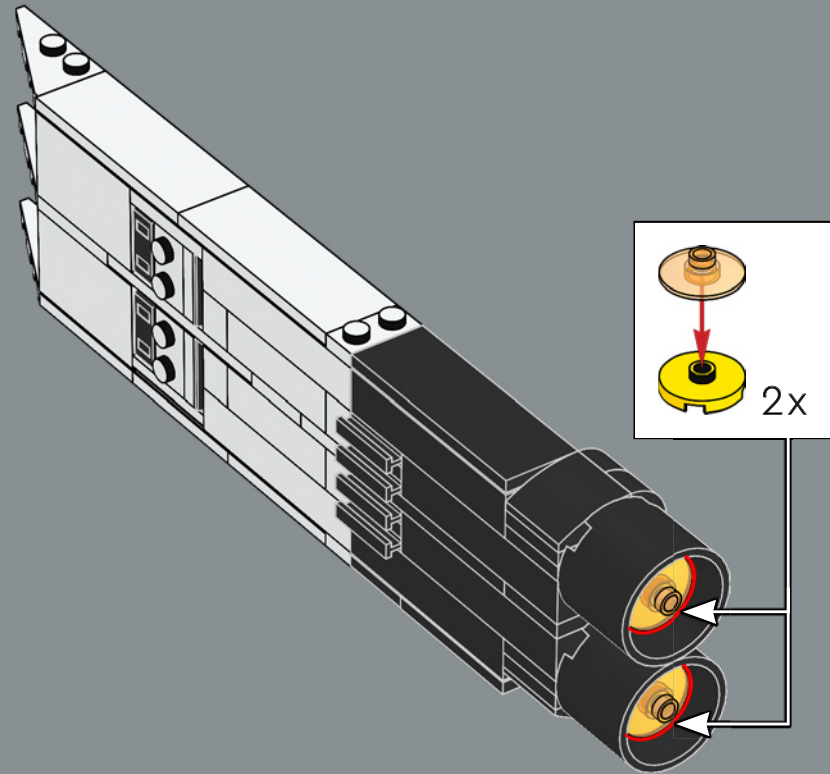




323

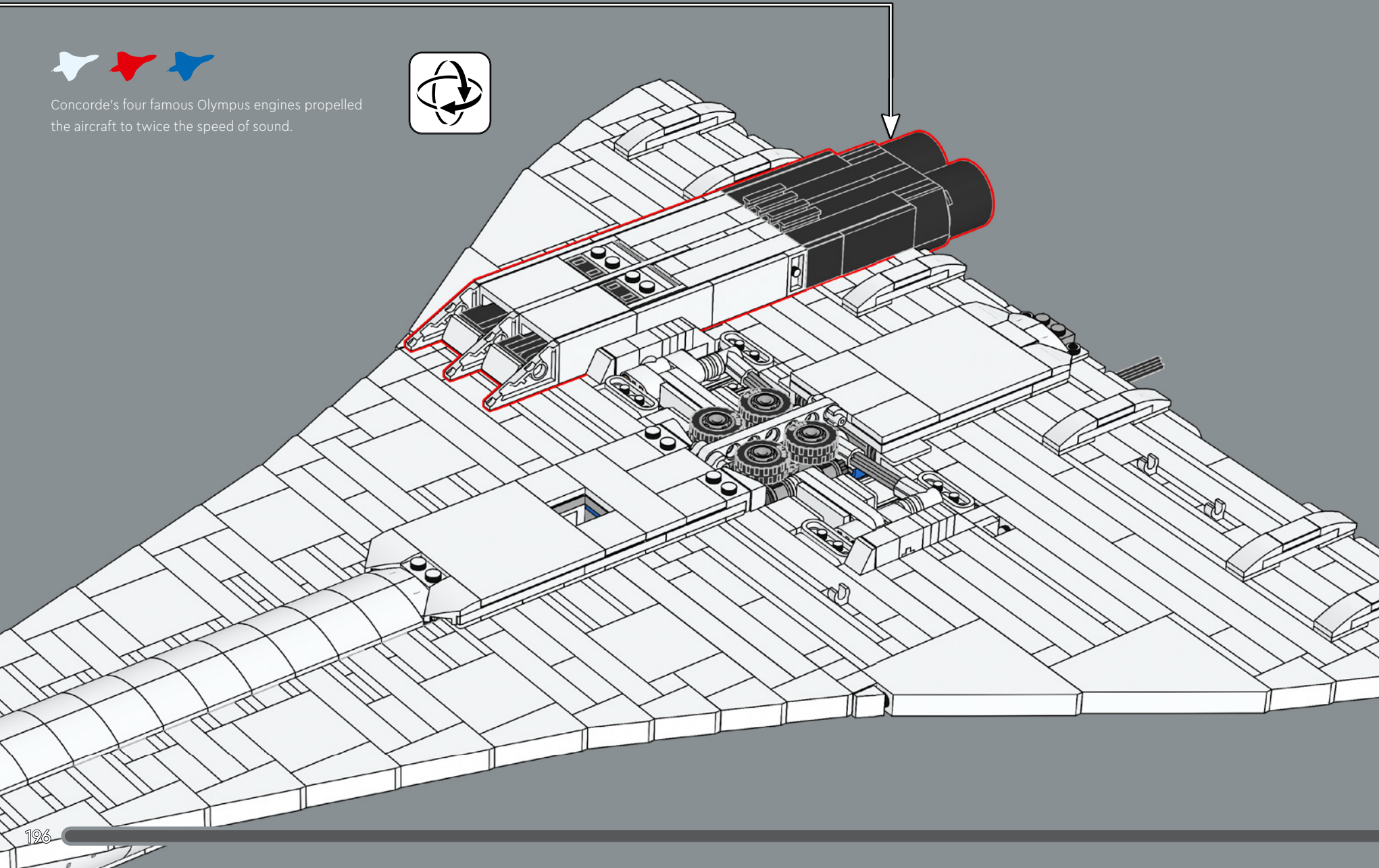


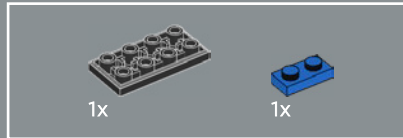
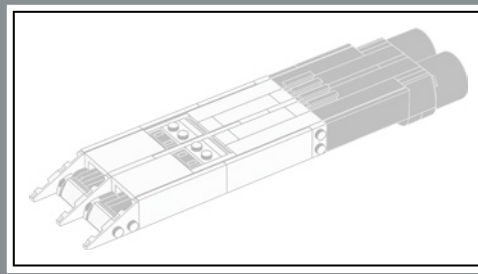
324



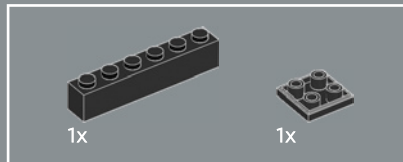
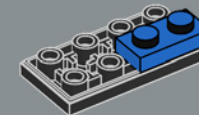


Concorde's four famous Olympus engines propelled the aircraft to twice the speed of sound.

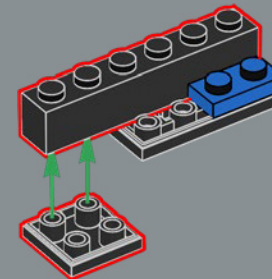


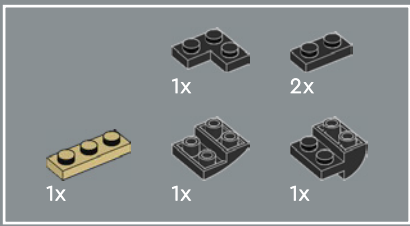


326

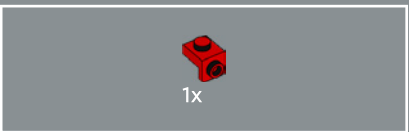
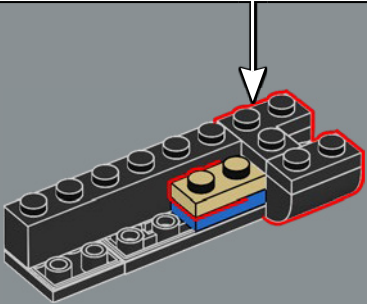
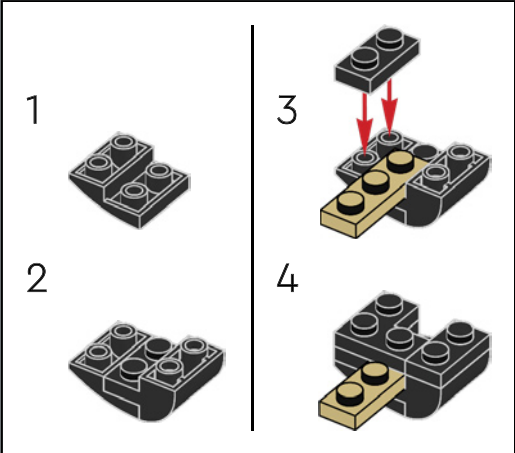


327

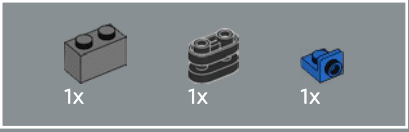
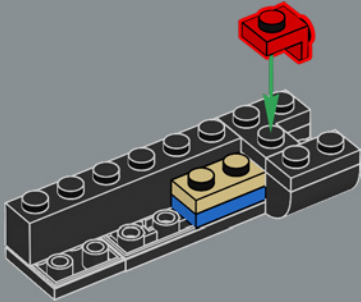




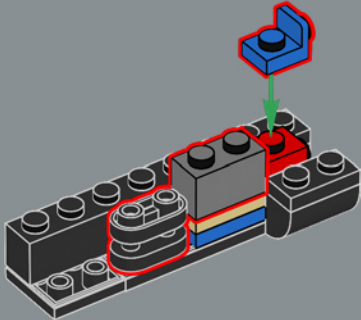
328

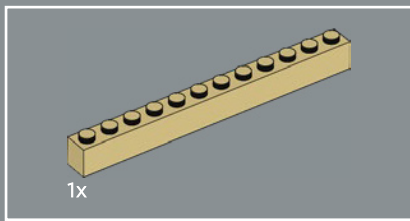


329

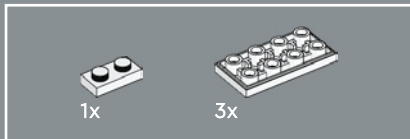
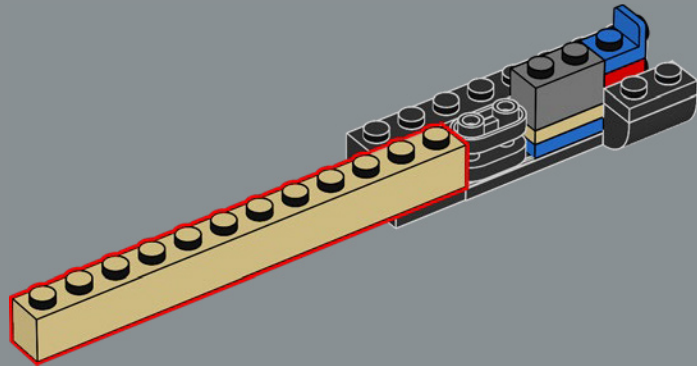


330

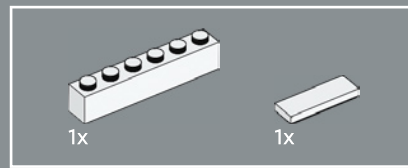
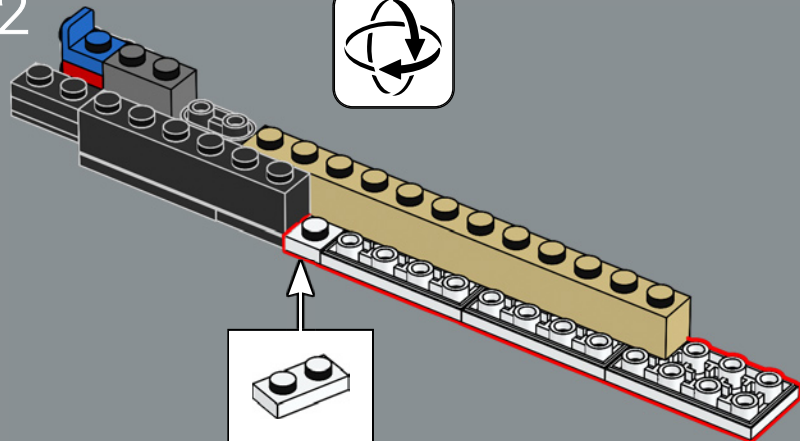




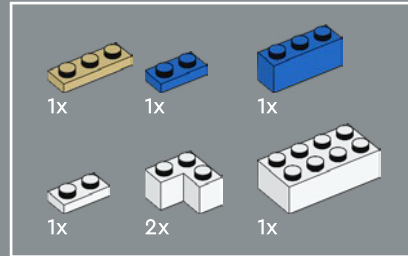
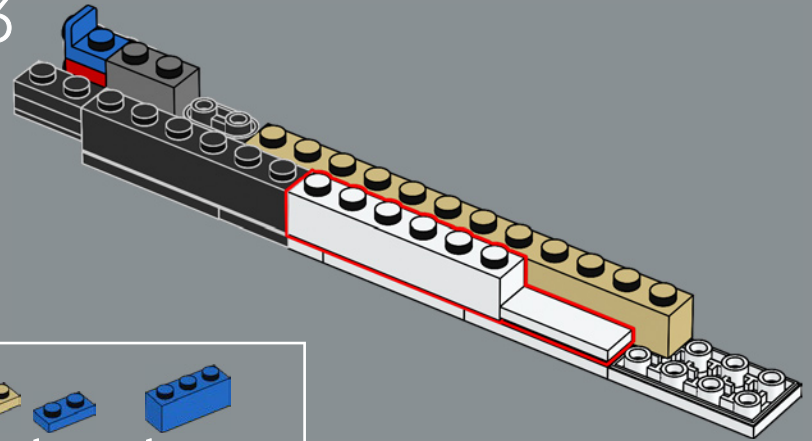
331



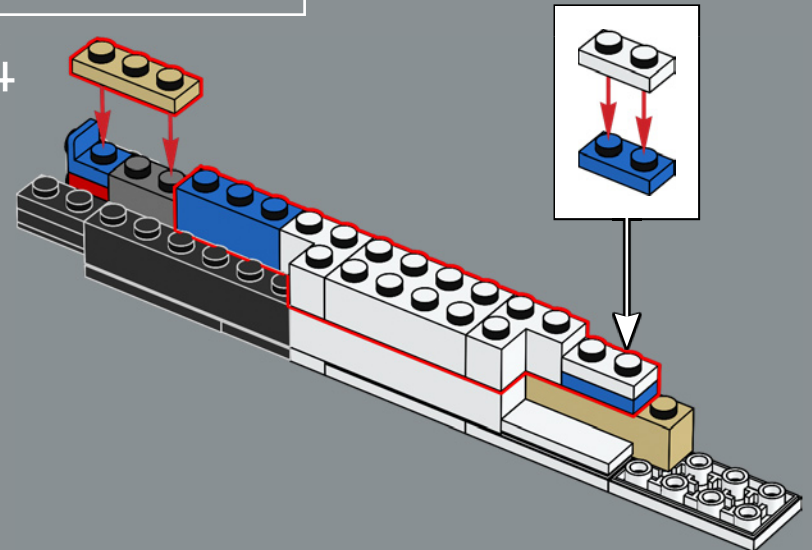
332

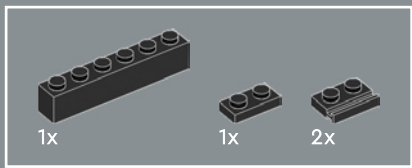


333

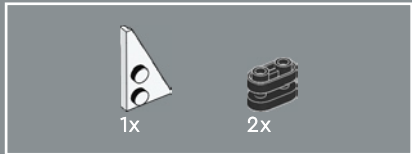
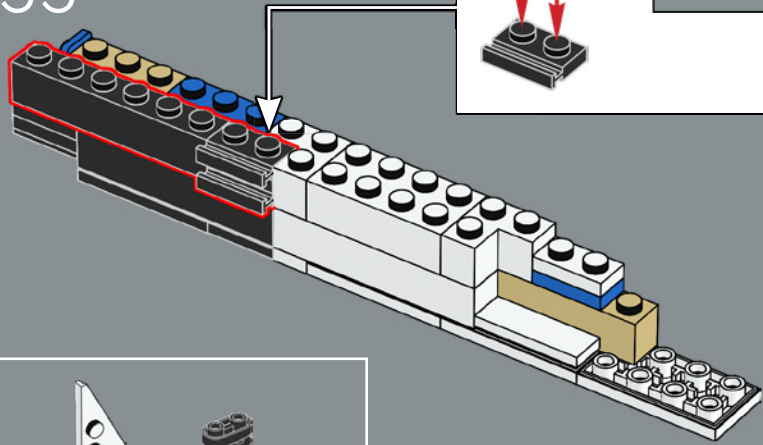
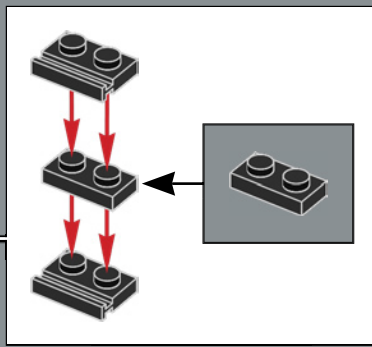


334

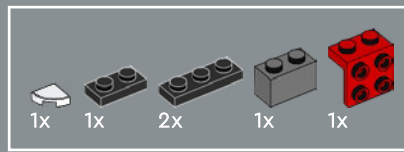
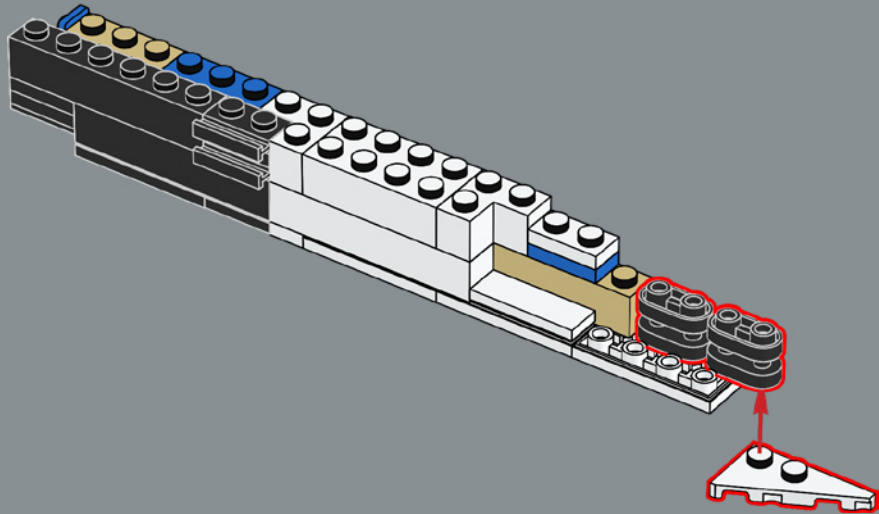




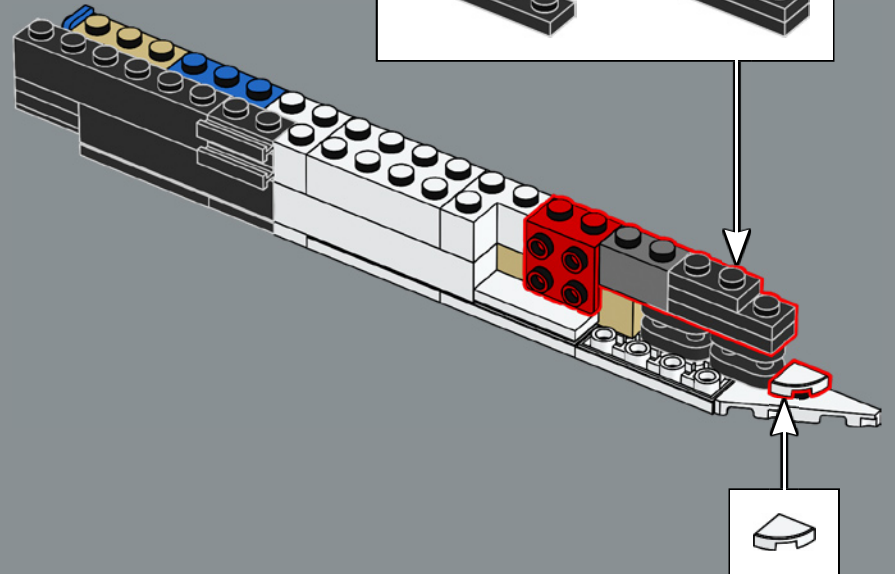
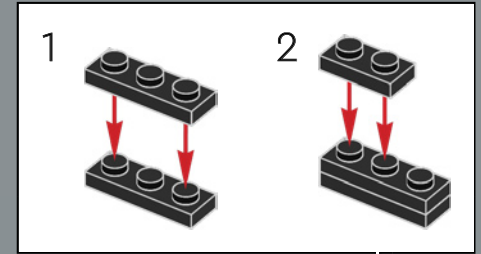
335

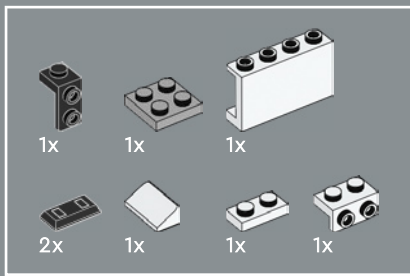


336

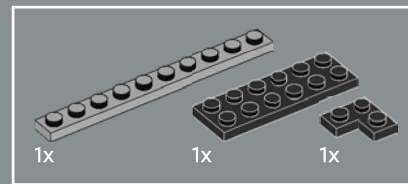
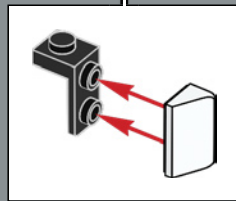
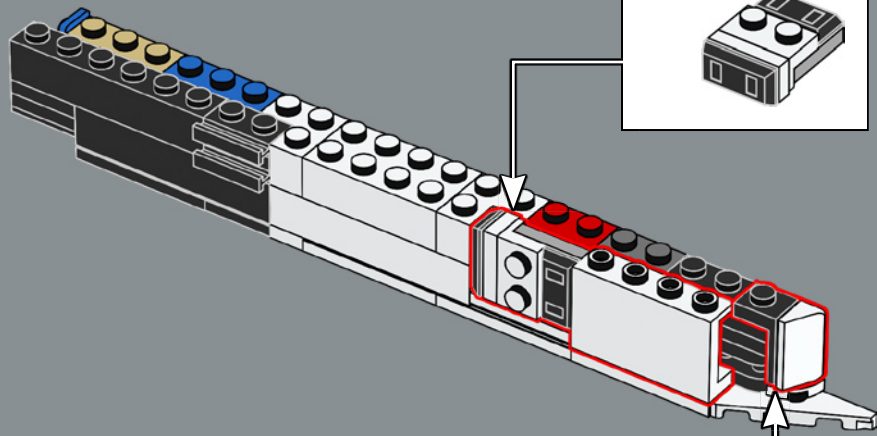
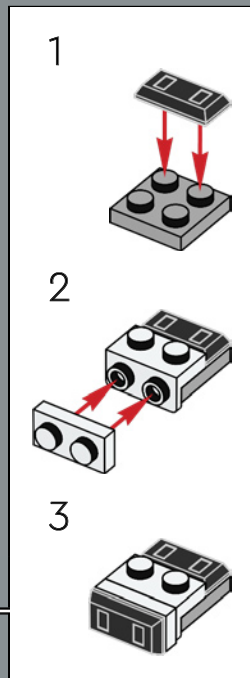


337

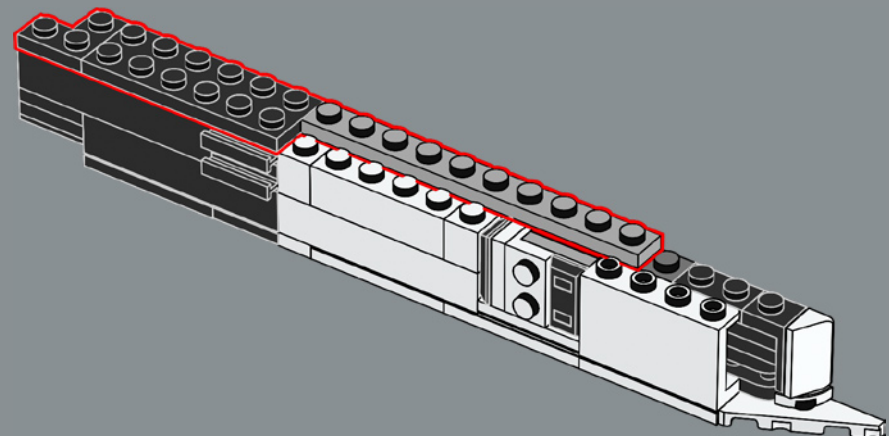


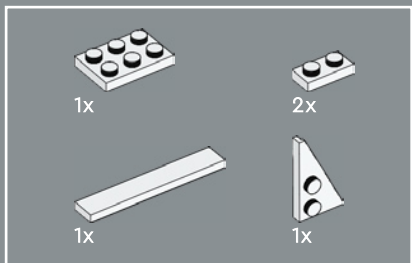


338

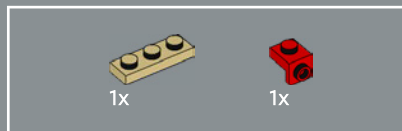
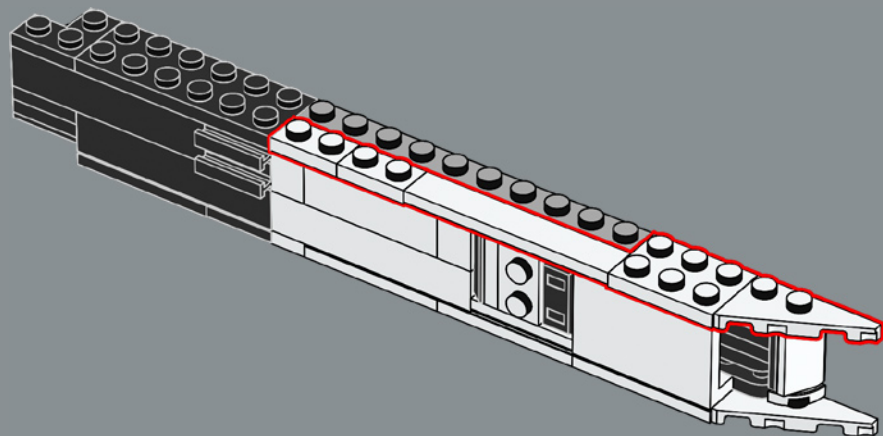


339

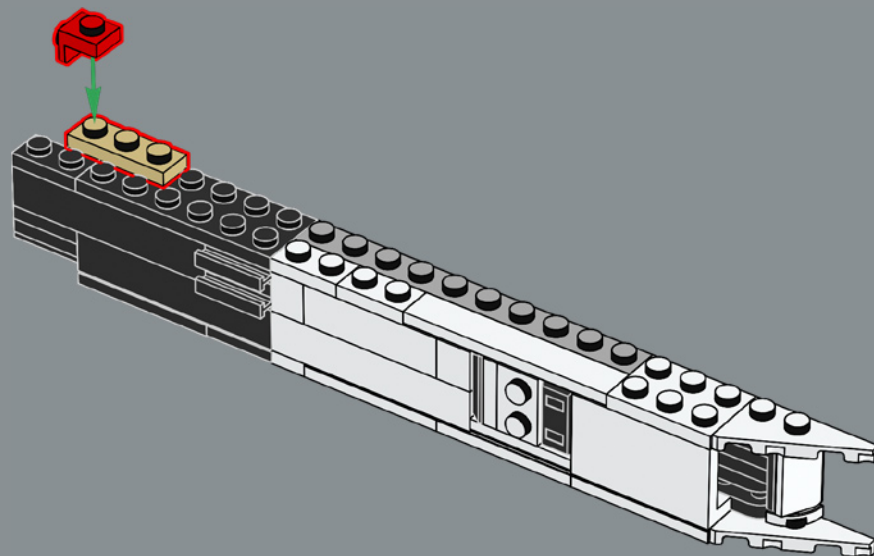


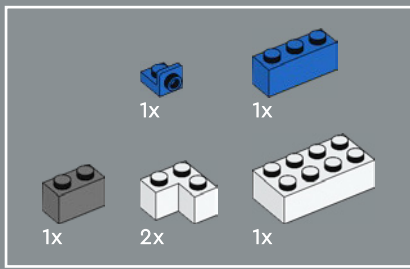


340

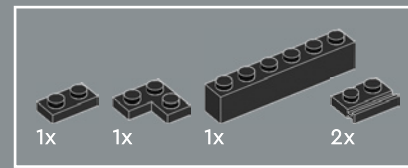
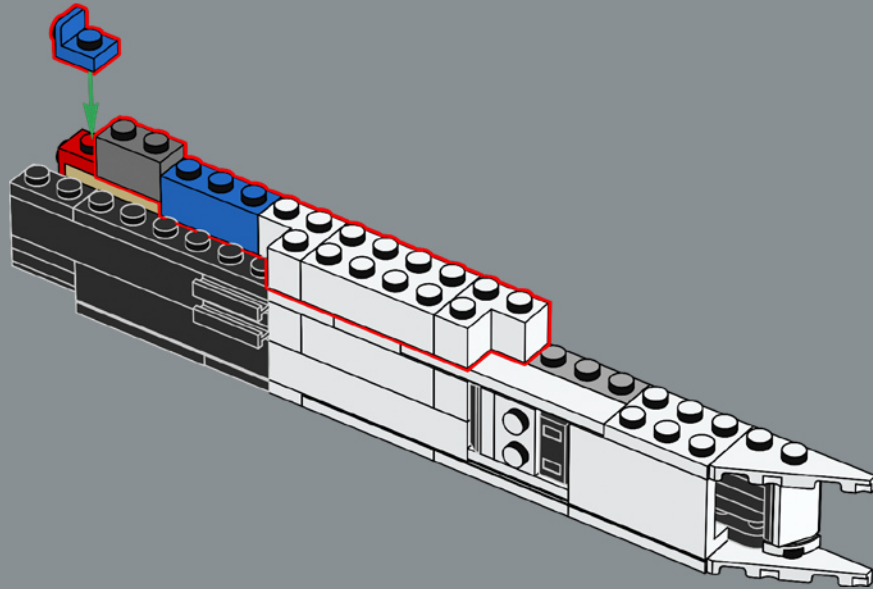


341

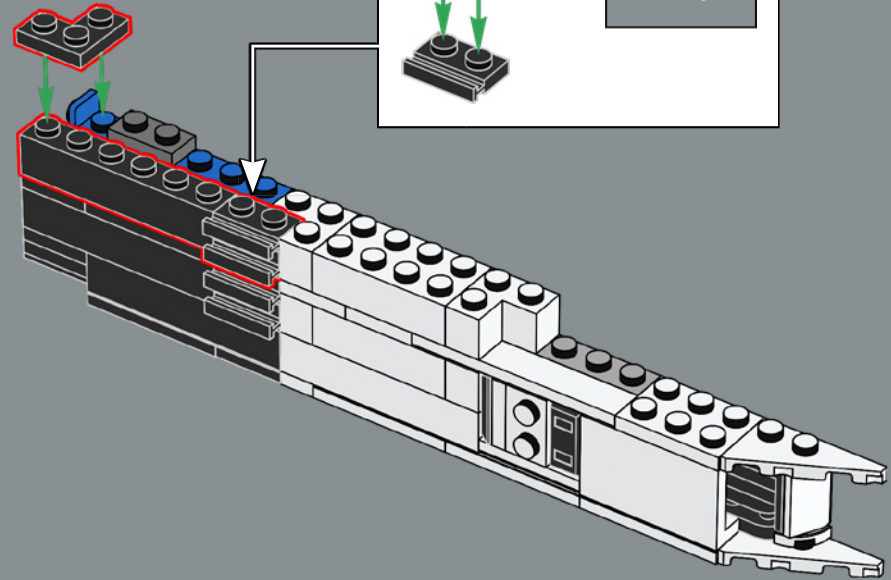
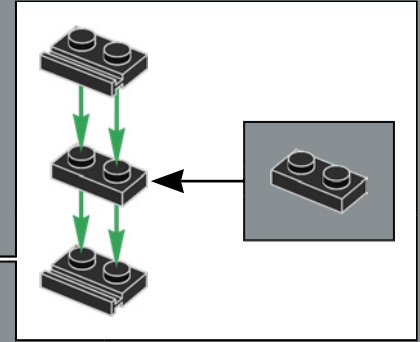


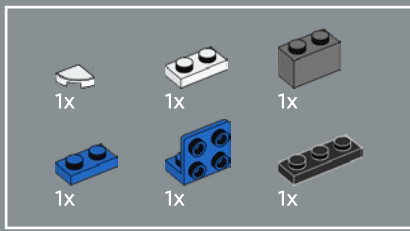


342

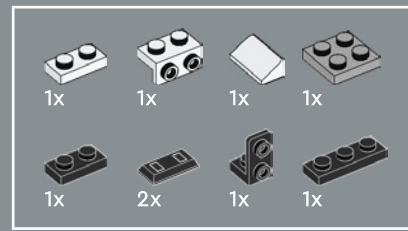
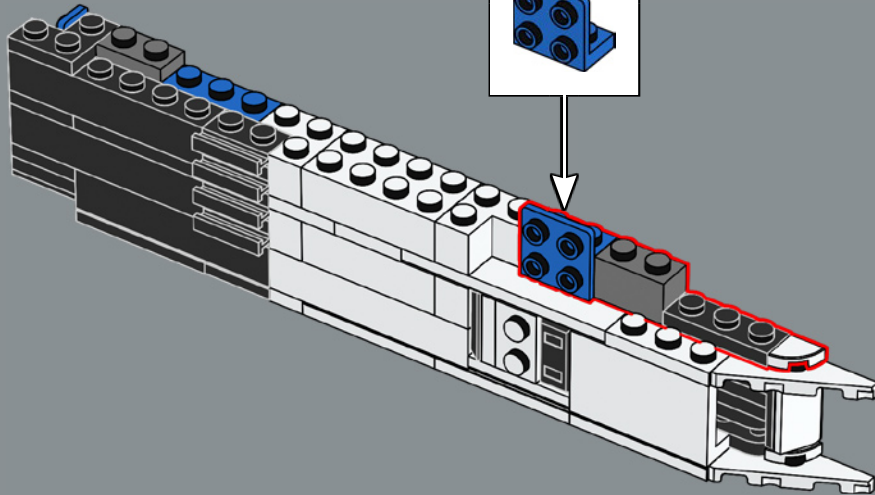
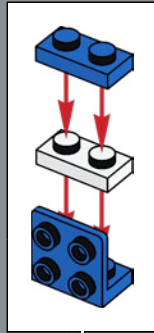


343

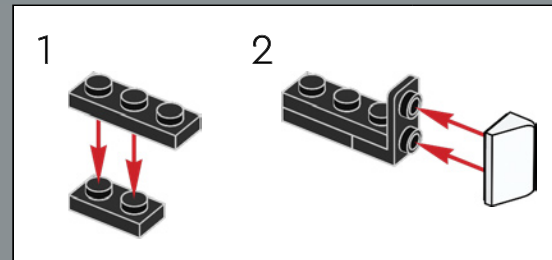
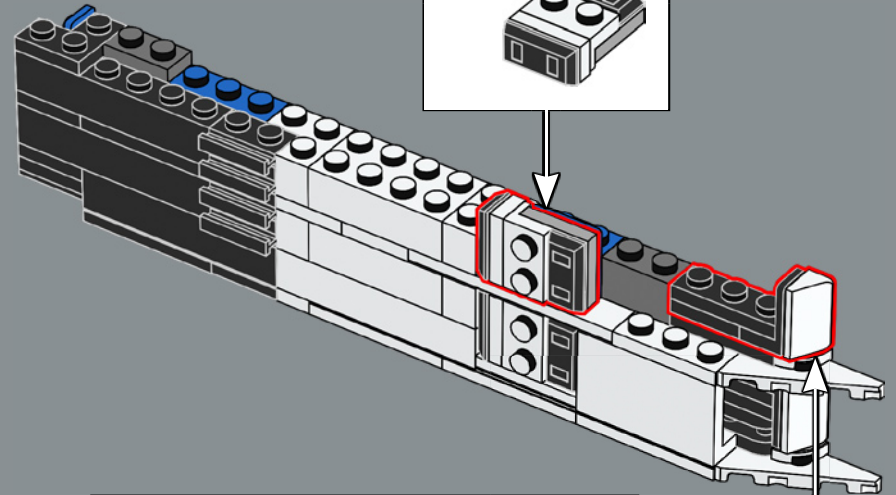
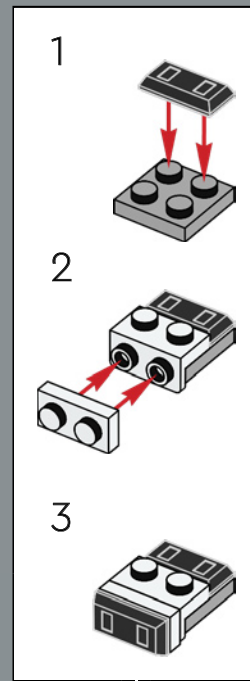


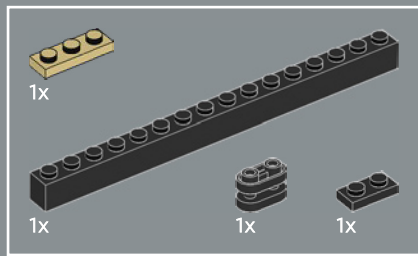


344

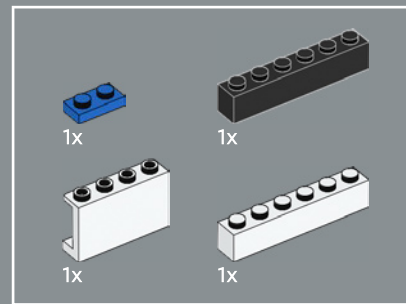
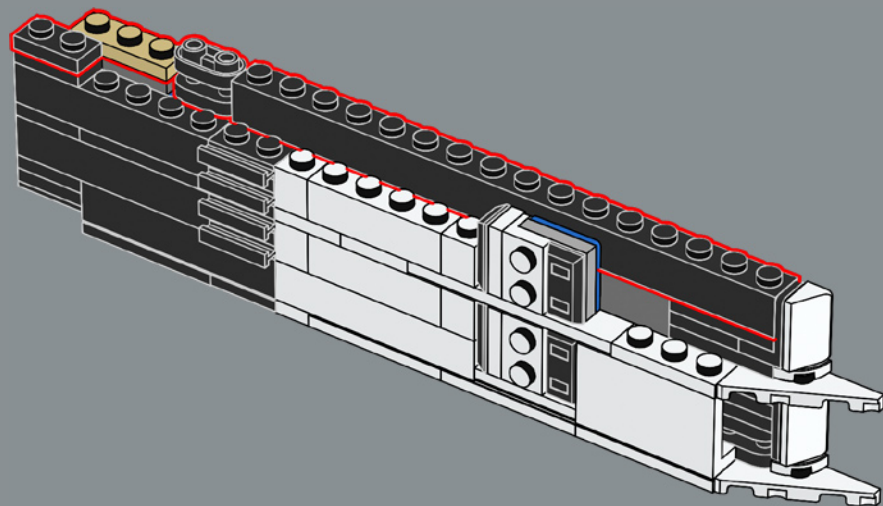


345

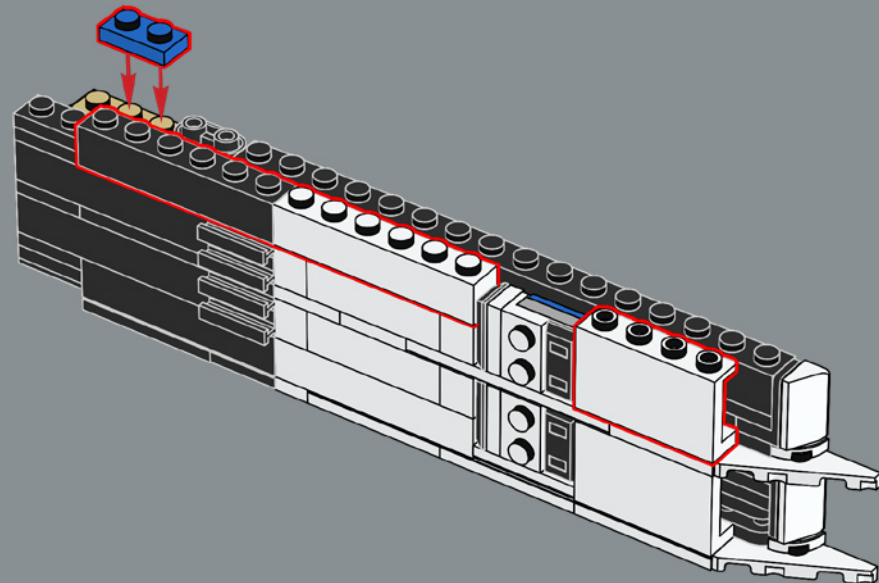


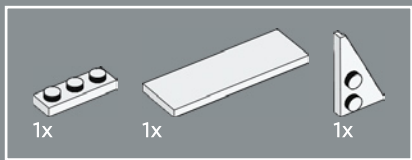


346

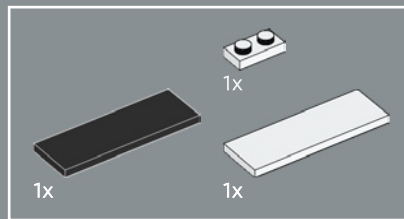
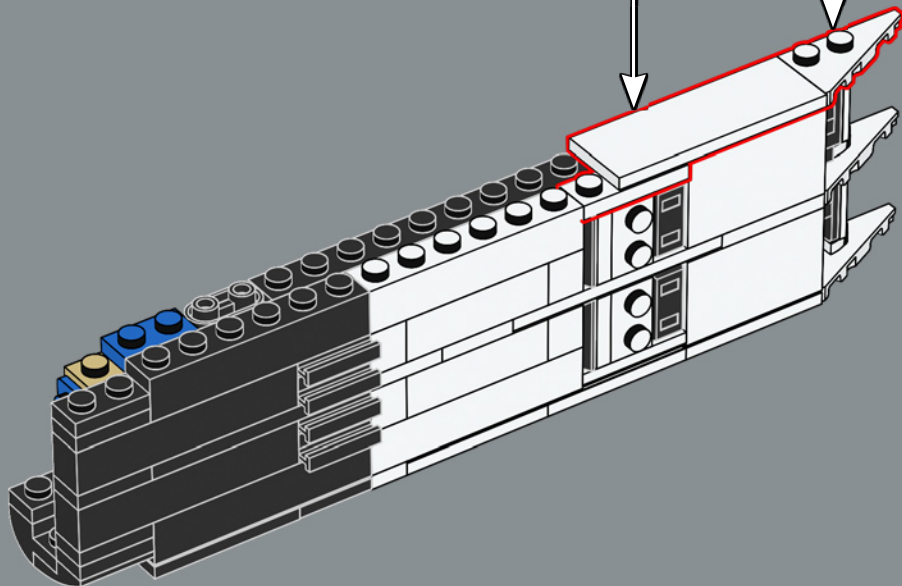
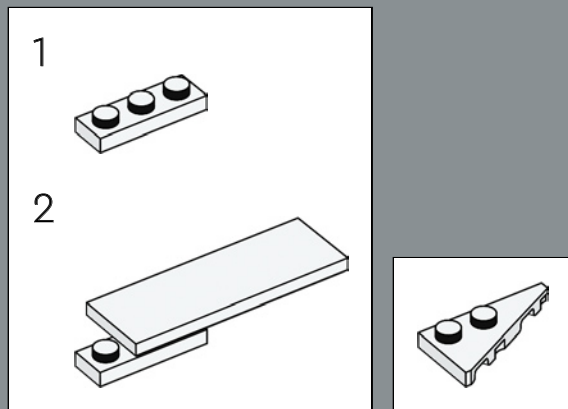


347

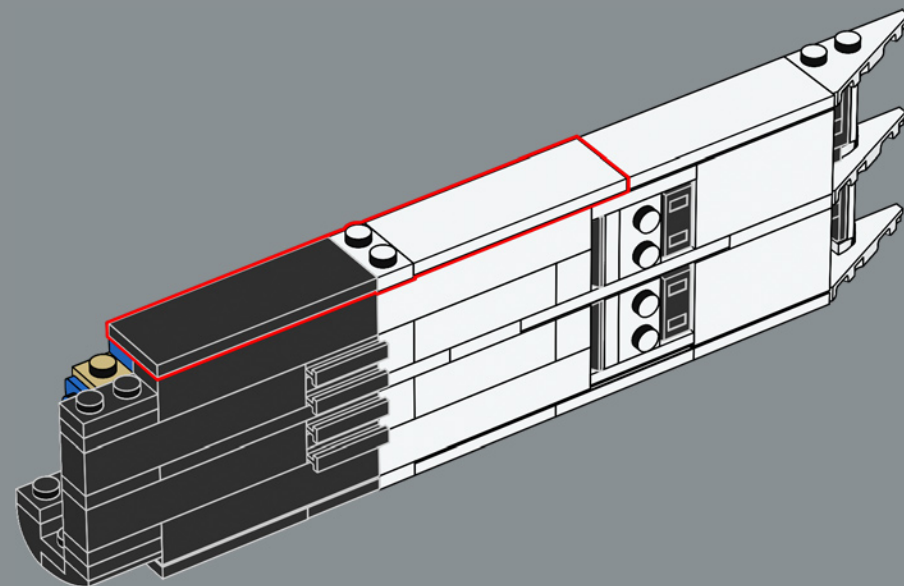




348

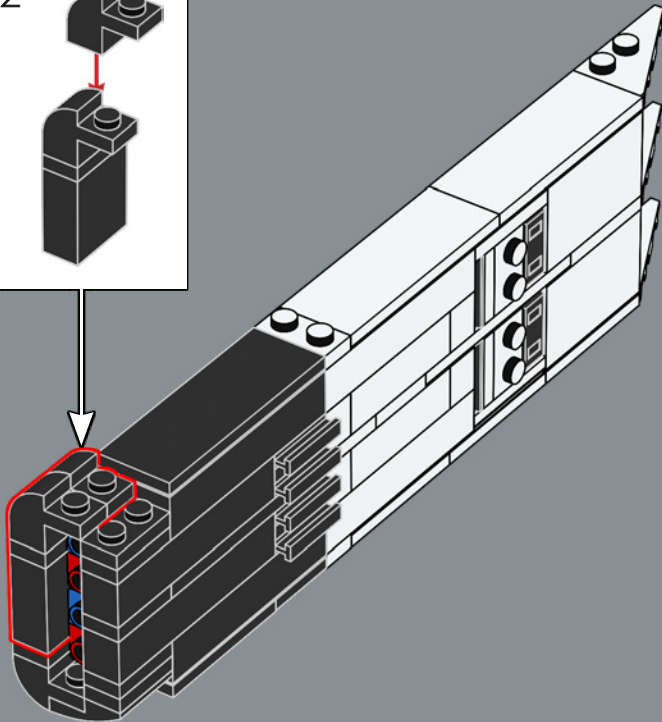
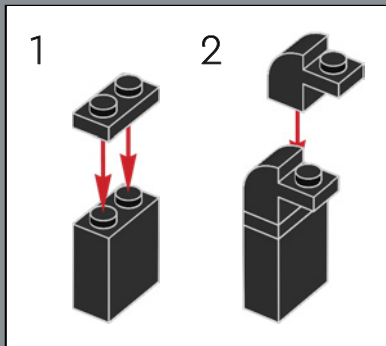


349

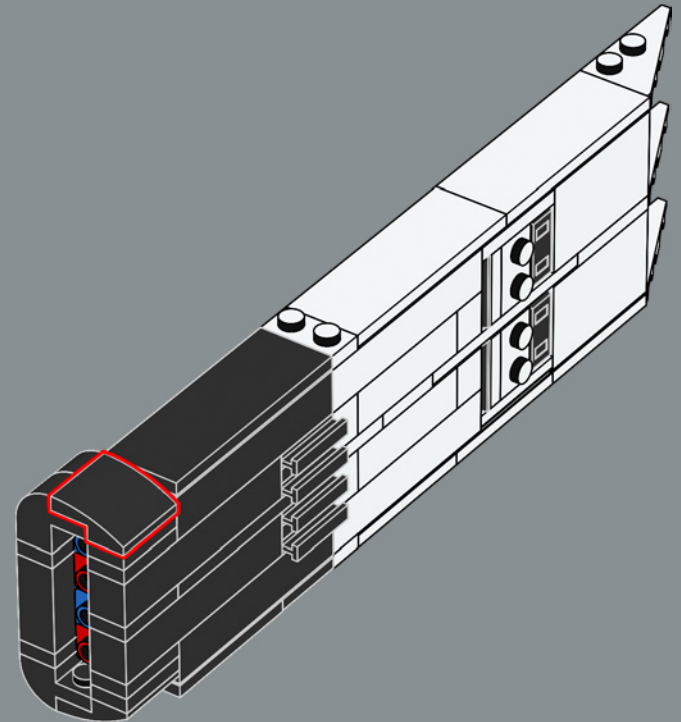




350

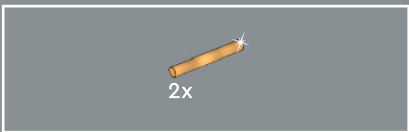
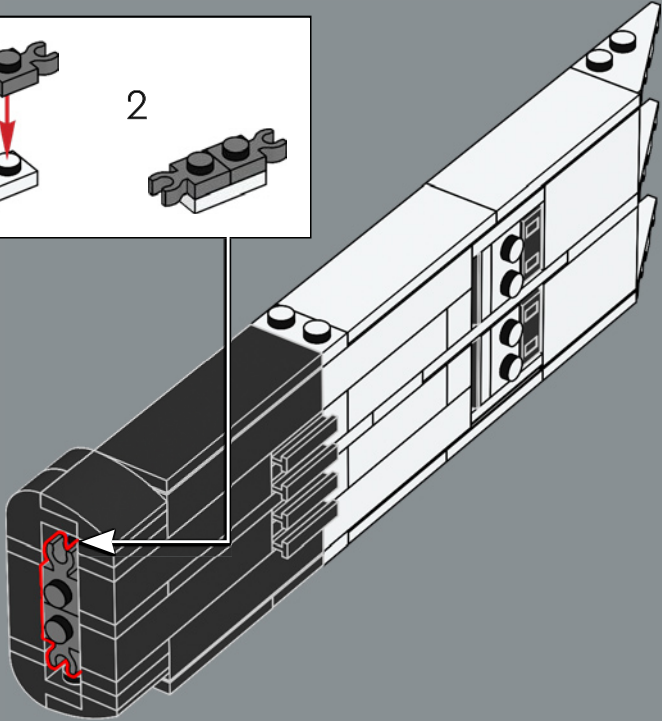
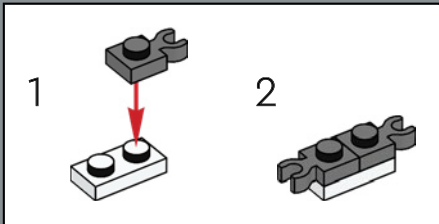


351

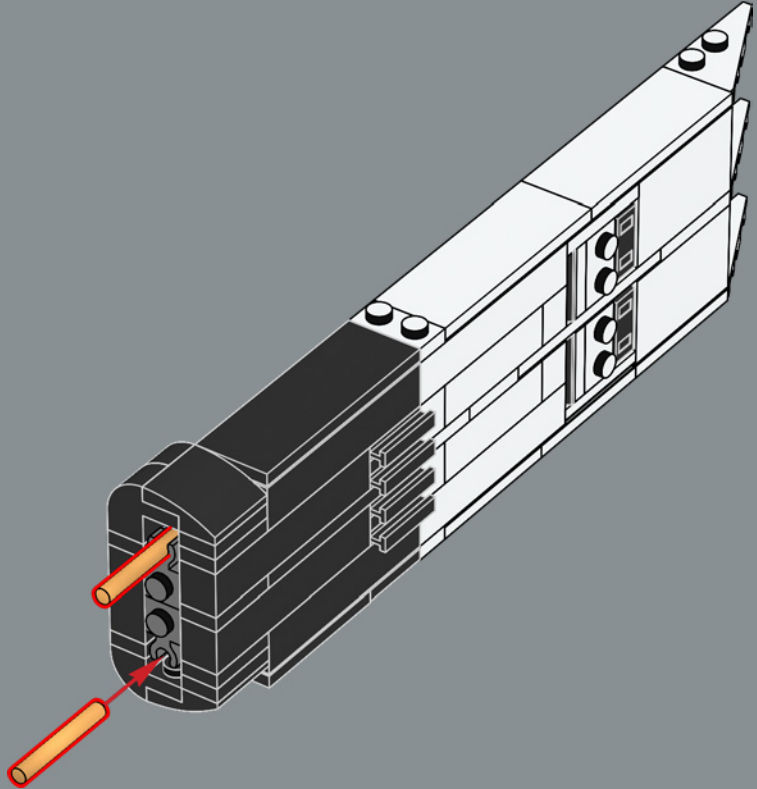


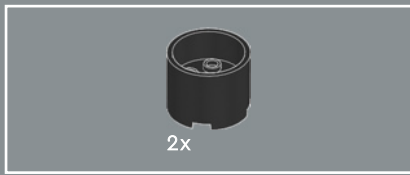


352

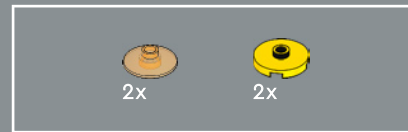
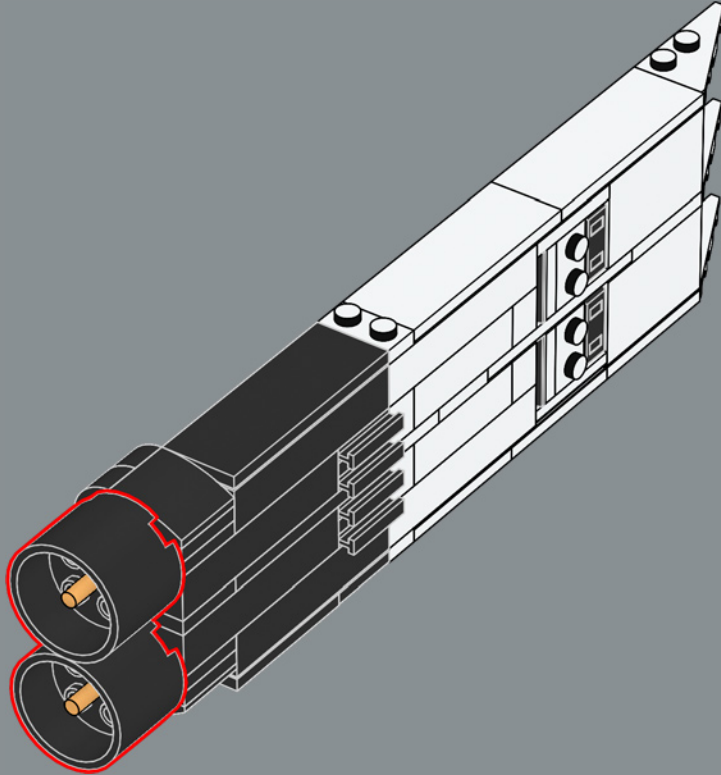


353

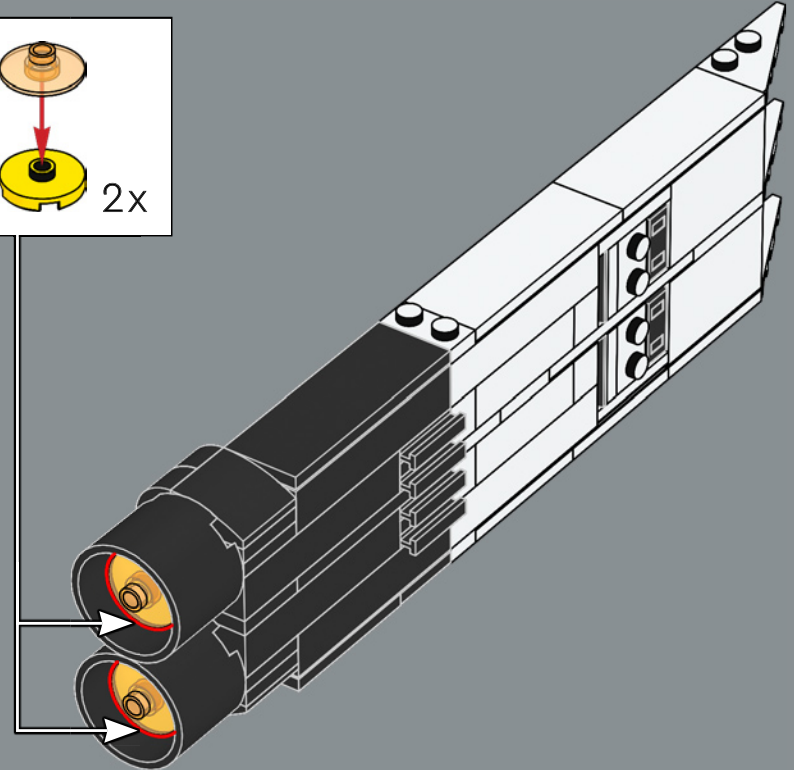
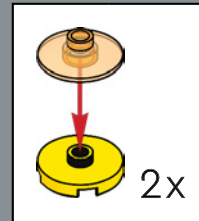




354



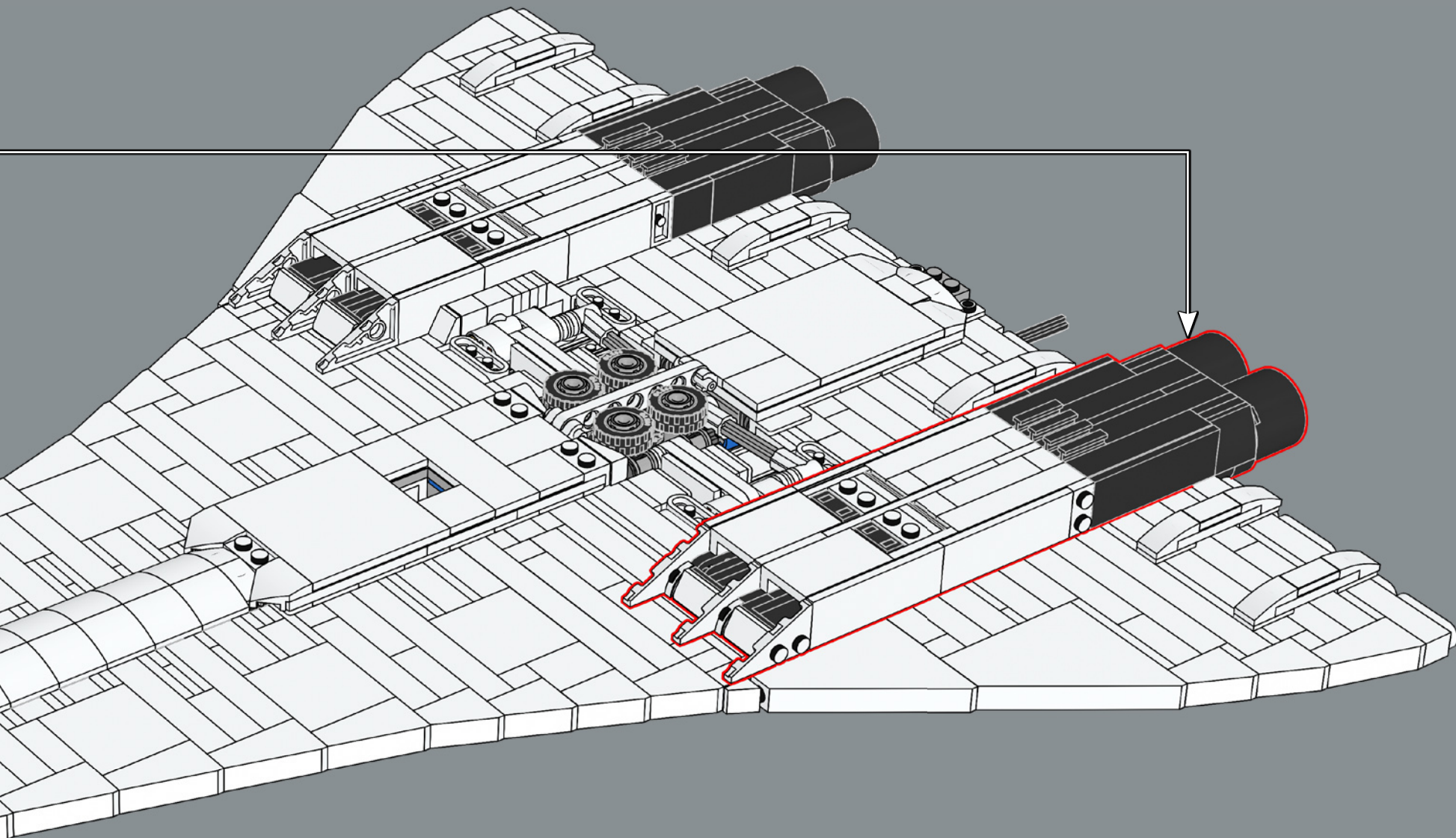
355

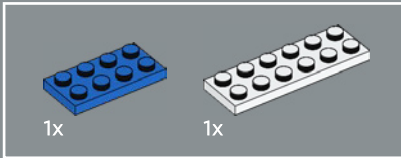
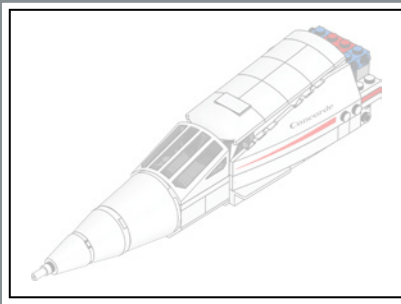




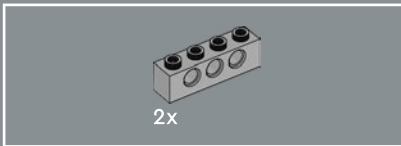
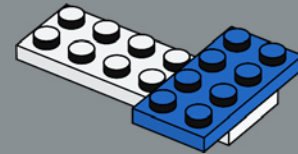
With the Earth spinning at 1,673 km/h (1,040 mph) and Concorde cruising at 2,146 km/h (1,334 mph), those flying aboard the aircraft could see the same sunset twice.

356

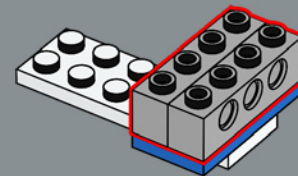




357

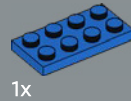
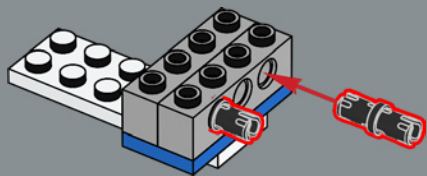


358



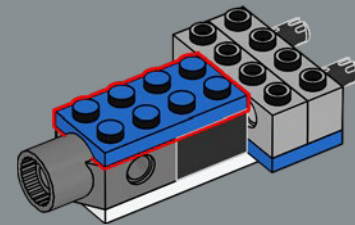
2x

359

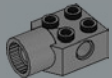


1x

361

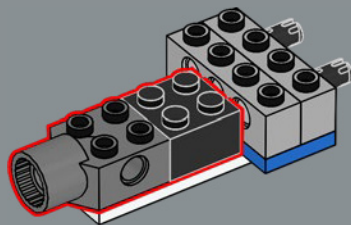


1x



1x

360

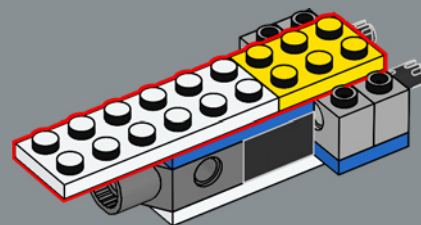


1x



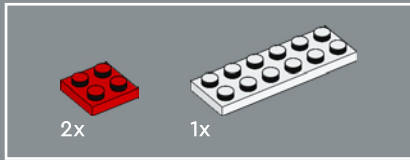
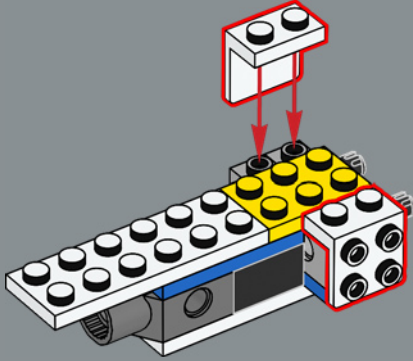
1x

362

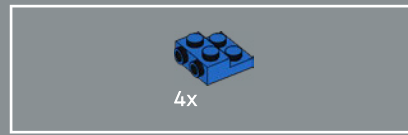
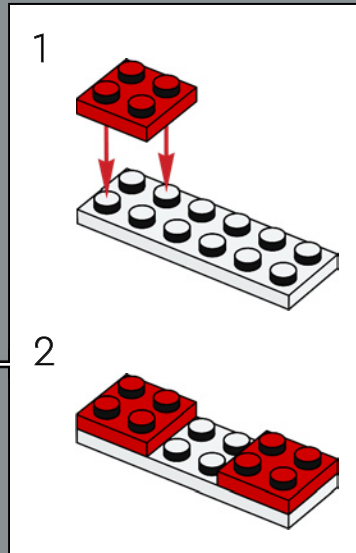
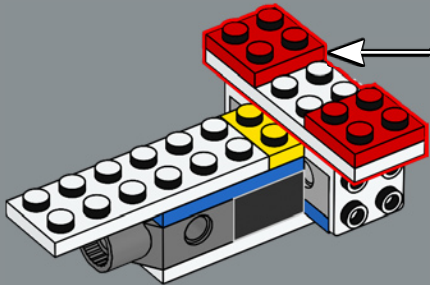




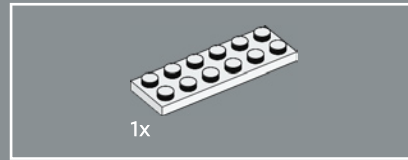
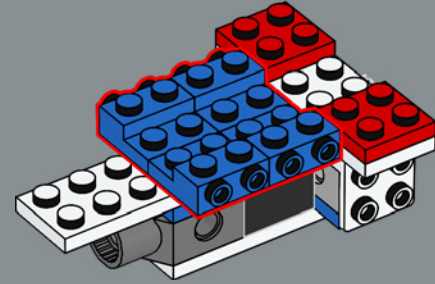
363



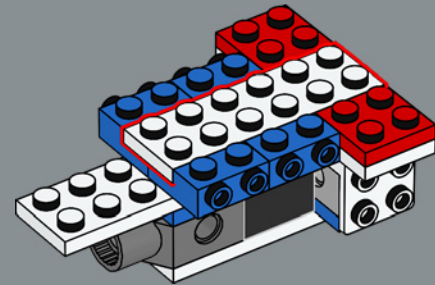
364



365



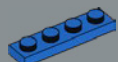
366





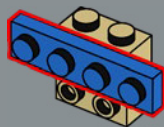
1x

367



1x

368

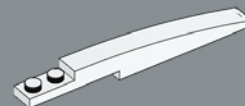
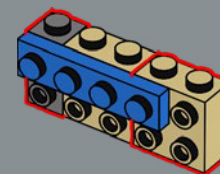


1x



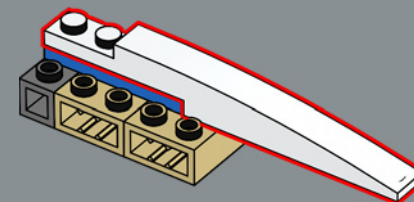
1x

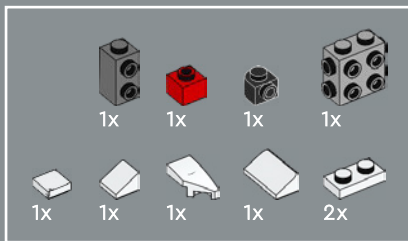
369



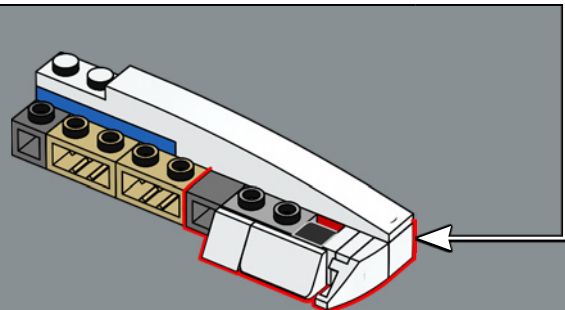
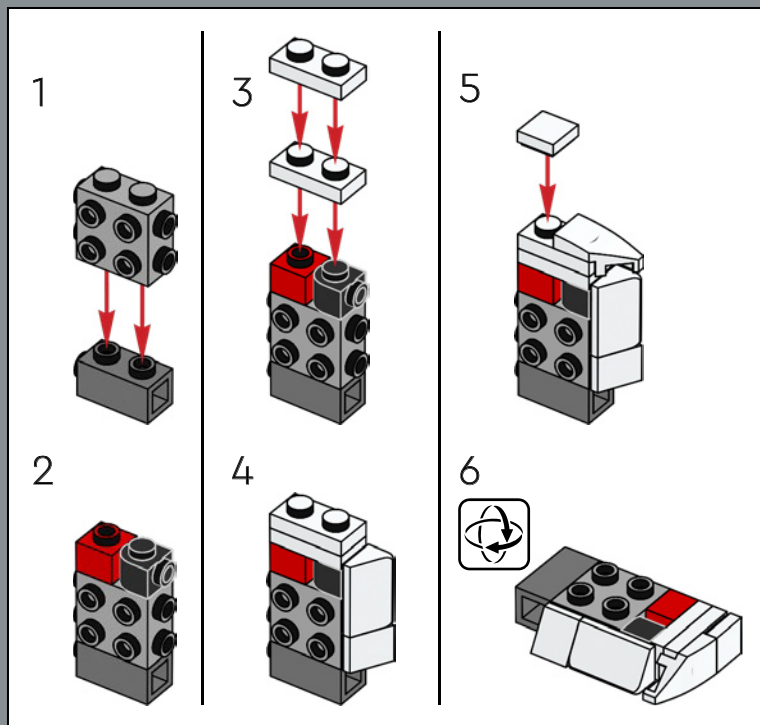
1x

370

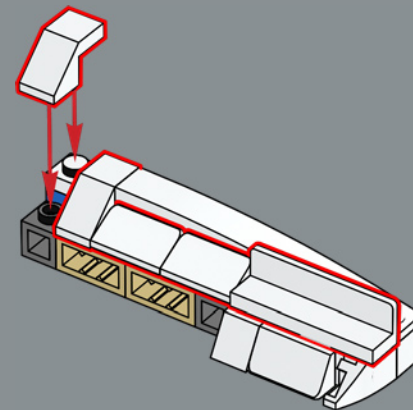




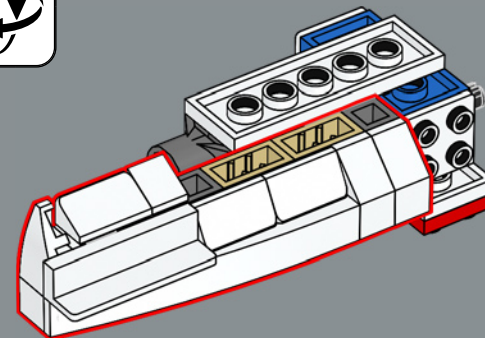
371



372



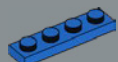
373





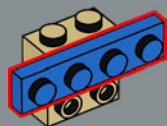
1x

374



1x

375



A total of 134 pilots and 57 flight engineers were trained to operate the unique aircraft.

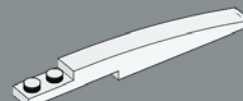
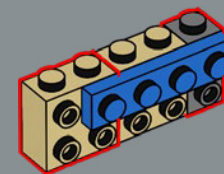


1x



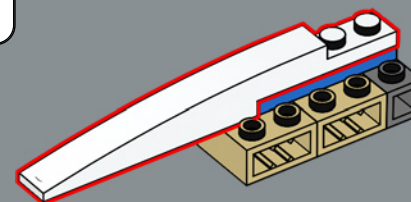
1x

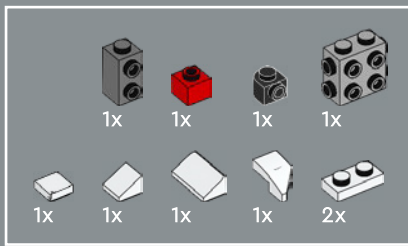
376



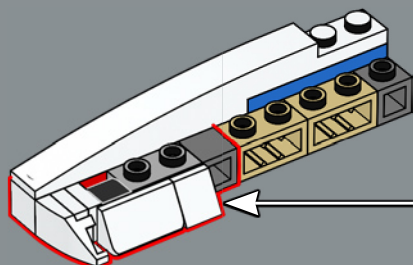
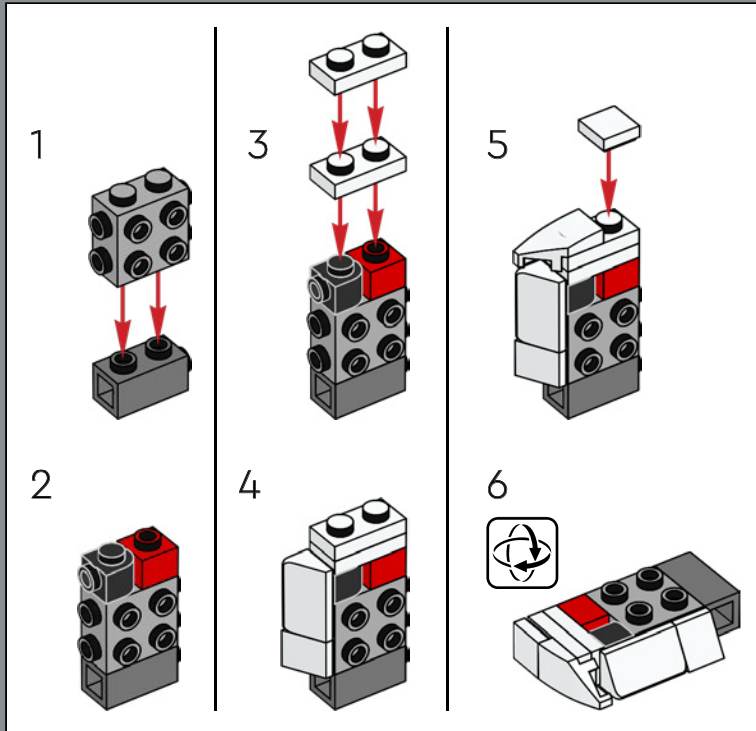
1x

377

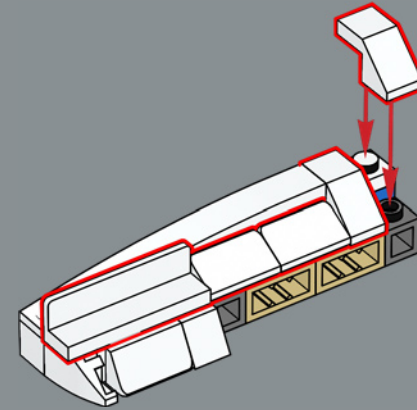




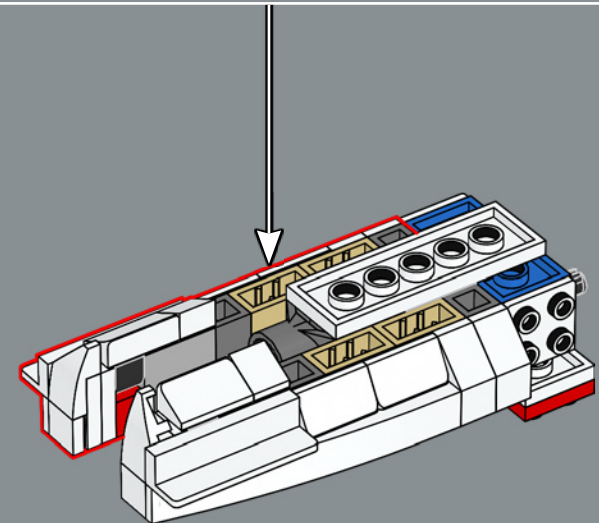
378

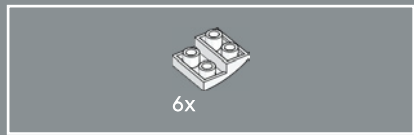


379

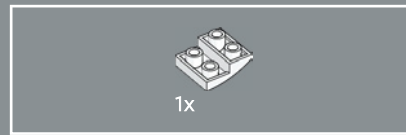
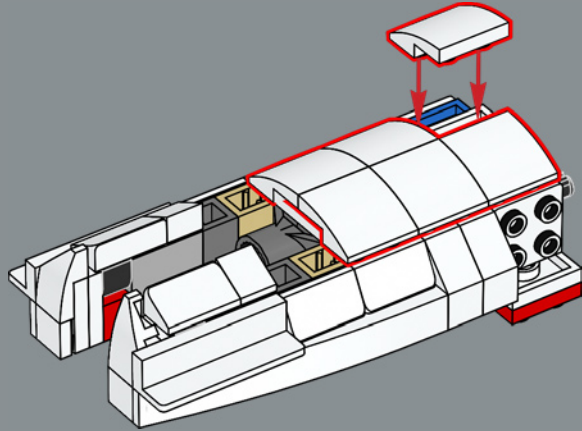


380

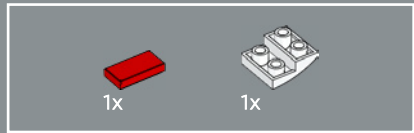
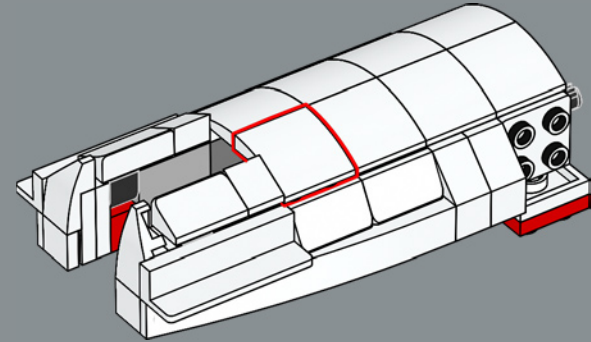




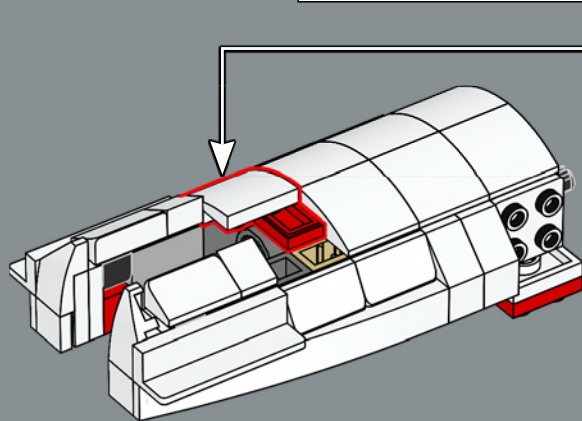
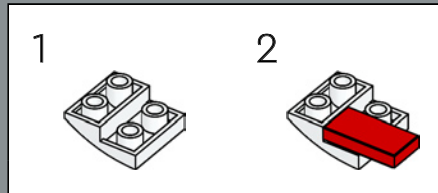
381



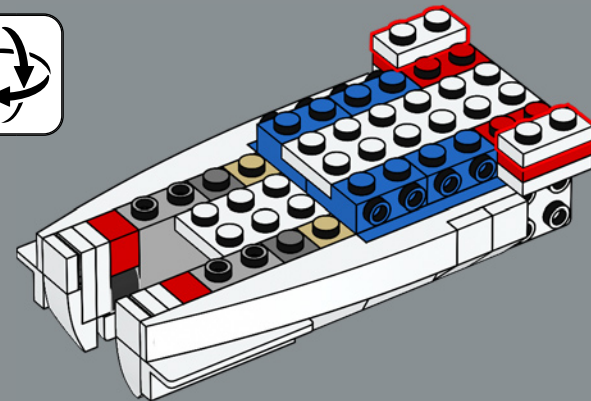
383

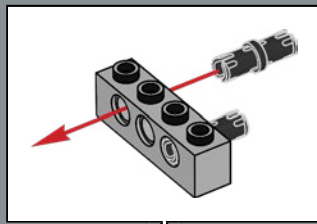
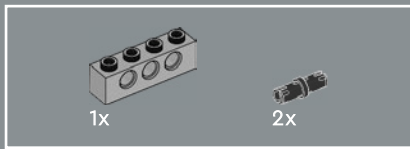


382

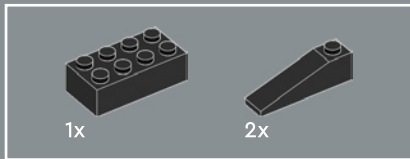
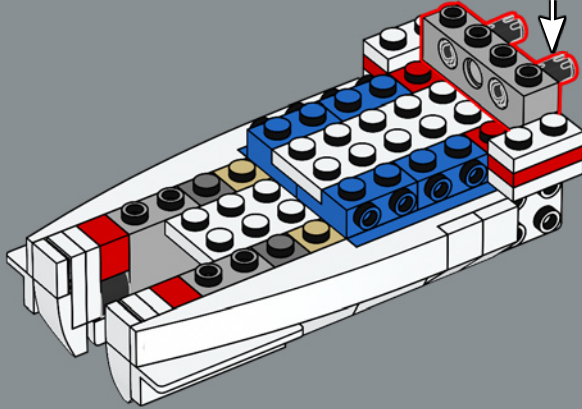


384

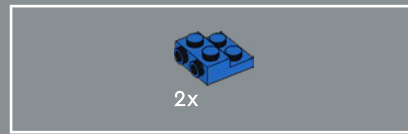
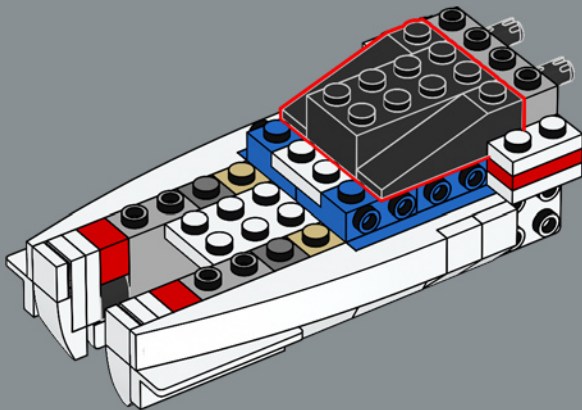




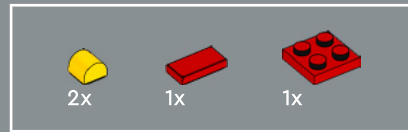
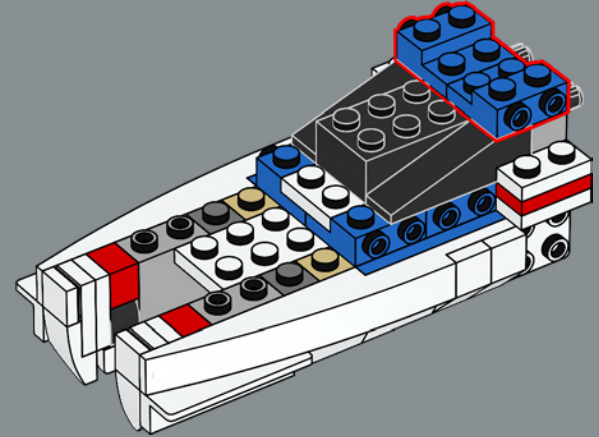
385



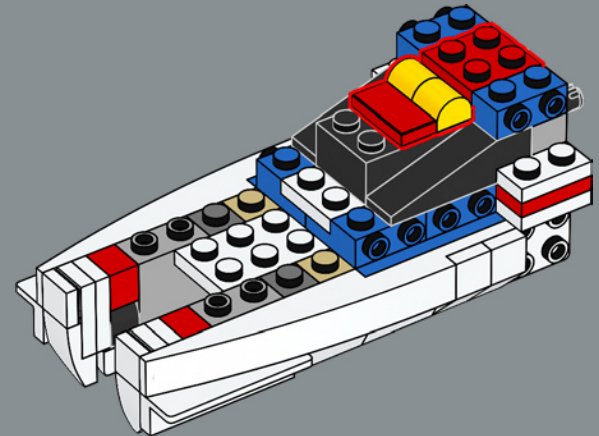
386

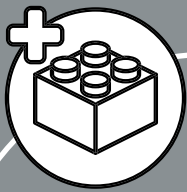


387

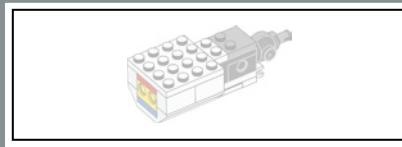


388





1x

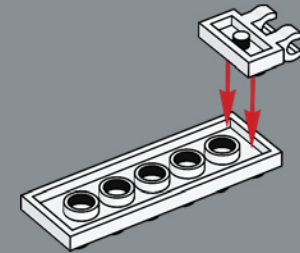


1x



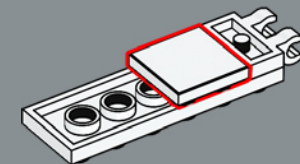
1x

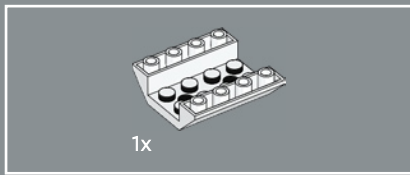
389



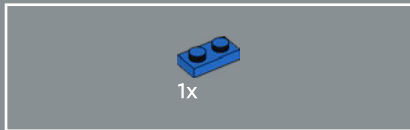
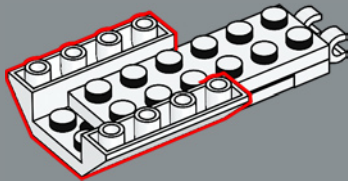
1x

390

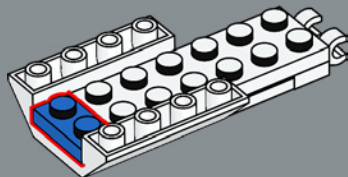




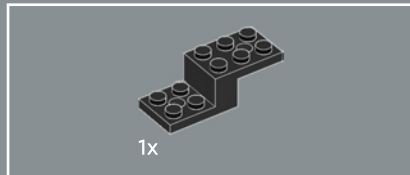
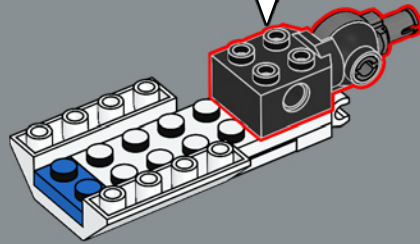
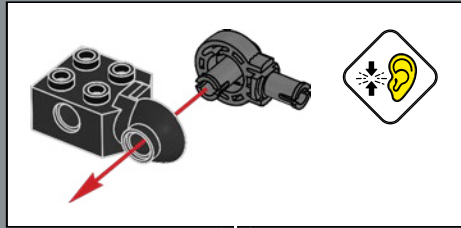
391



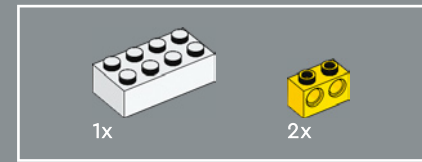
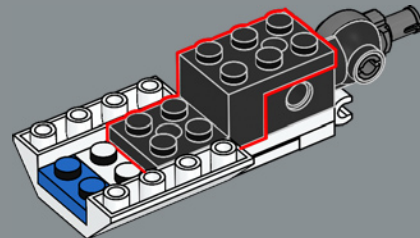
392



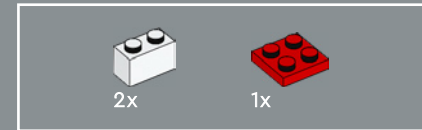
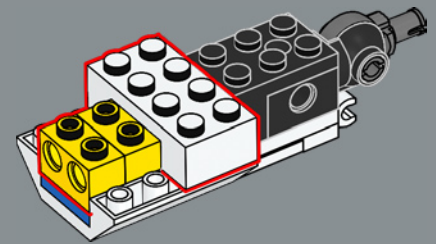
393



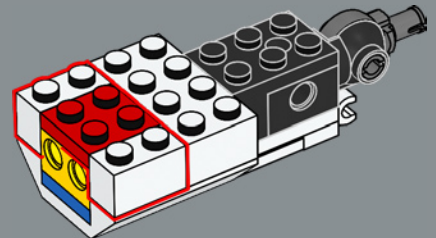
394

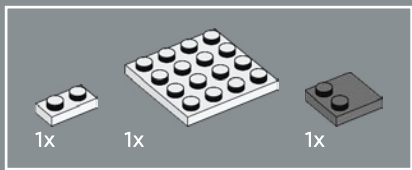


395

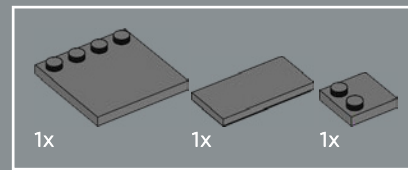
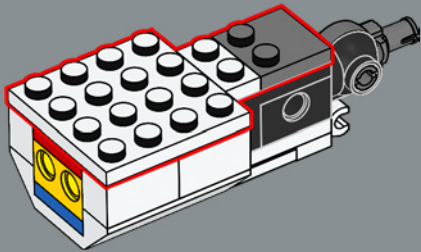


396

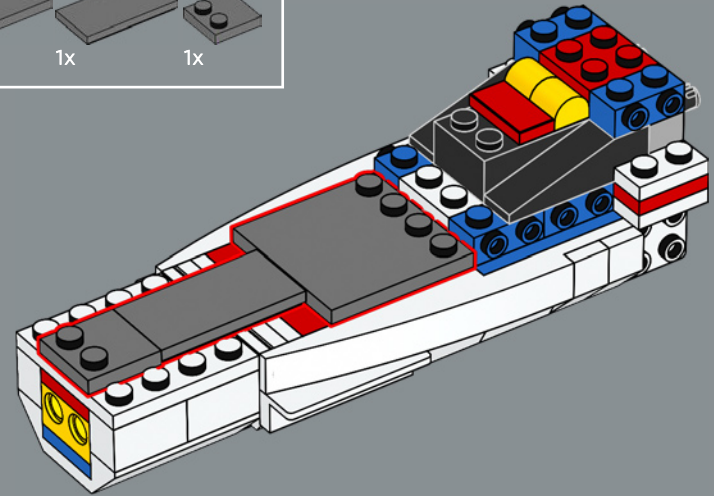




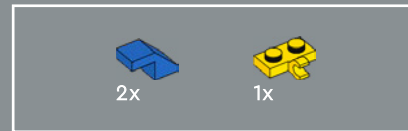
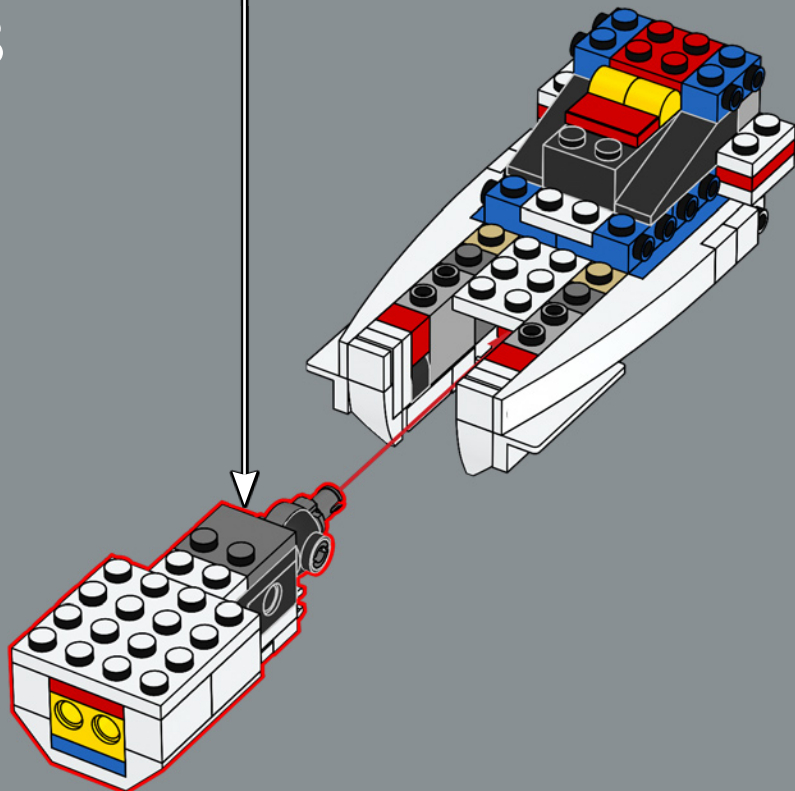
397



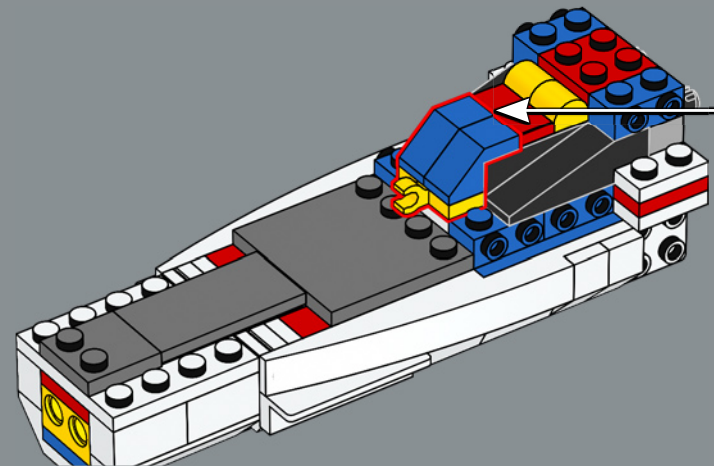
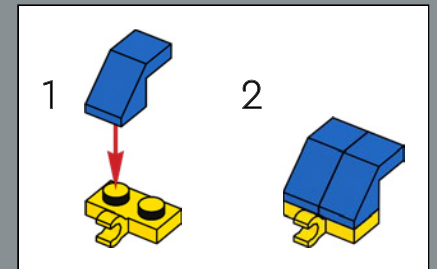
399

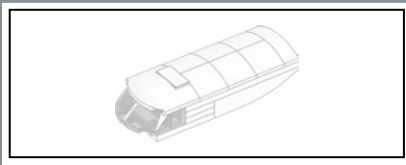


398

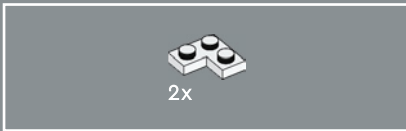
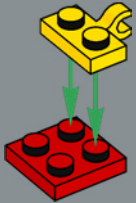


400

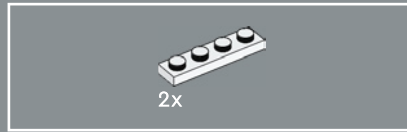




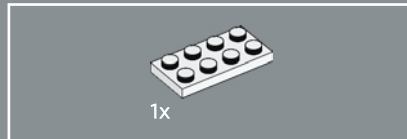
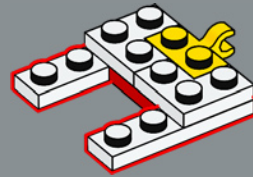
401



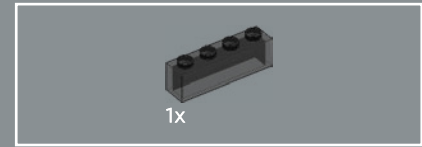
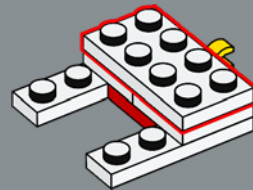
402



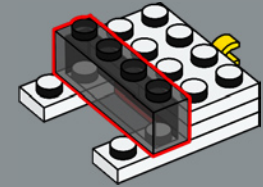
403



404

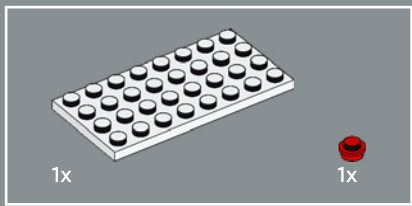


405

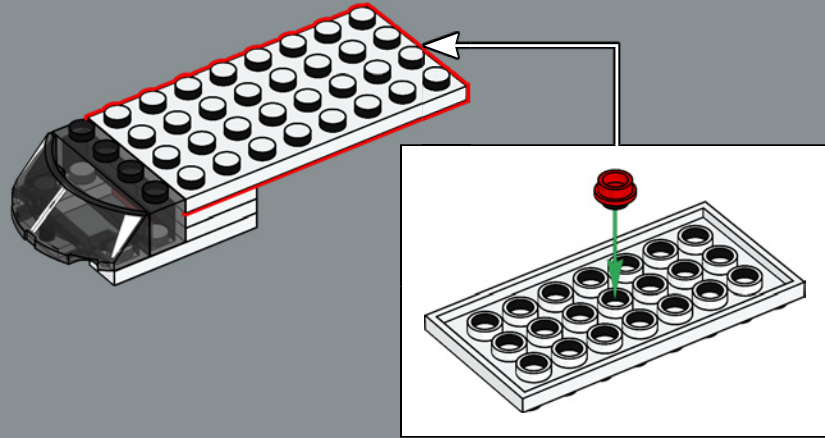


406

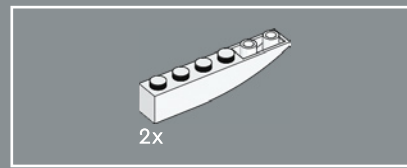
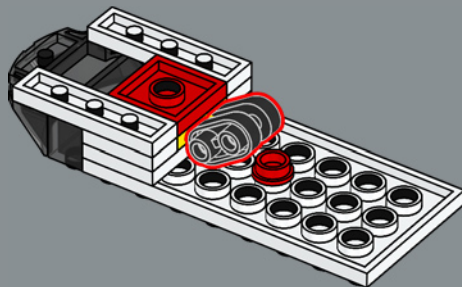




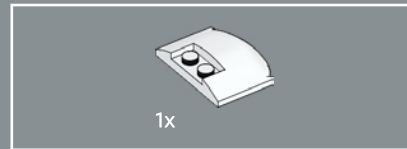
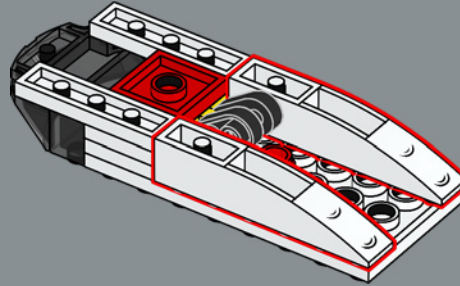
407



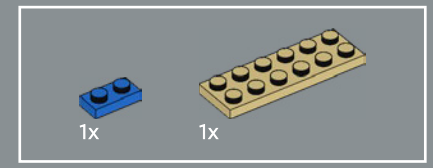
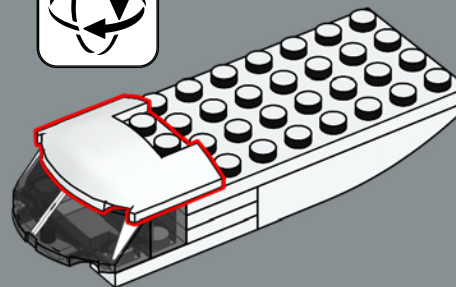
408



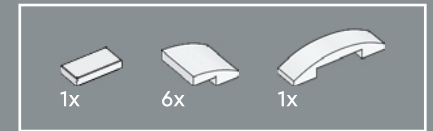
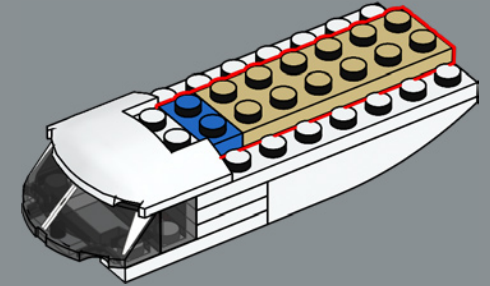
409



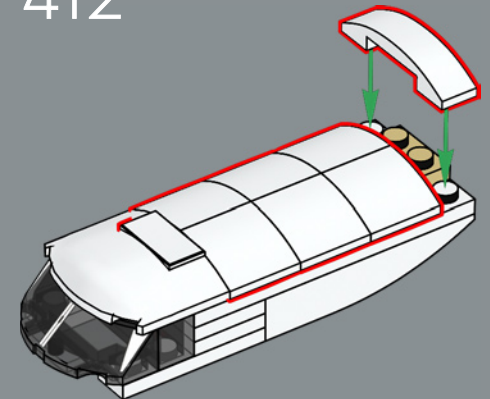
410



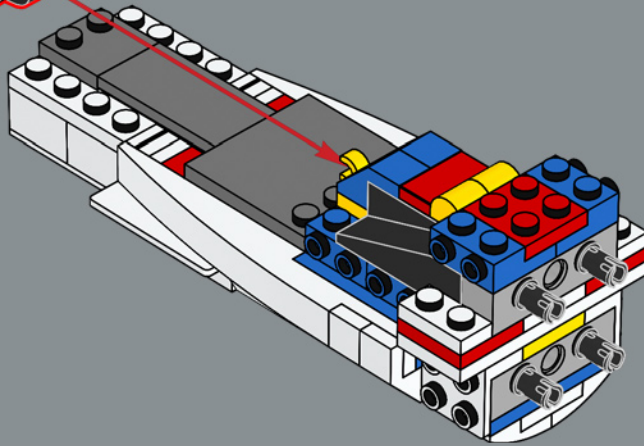
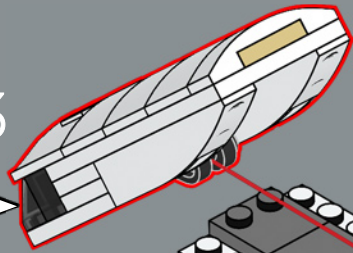
411



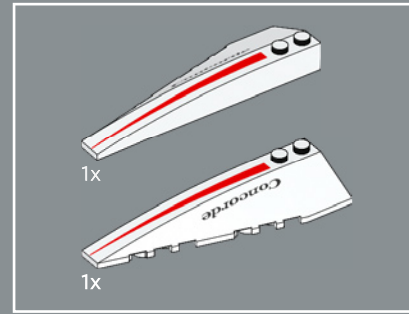
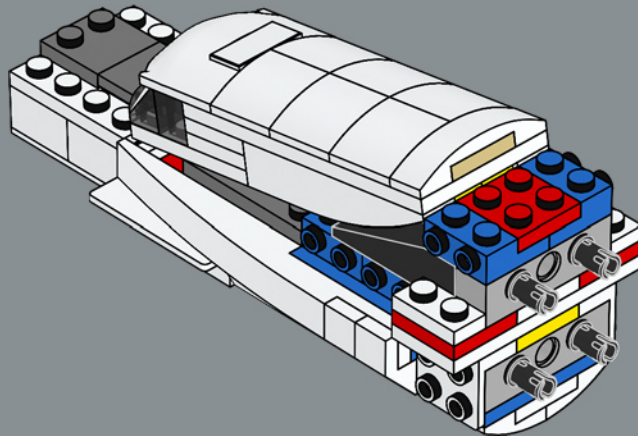
412



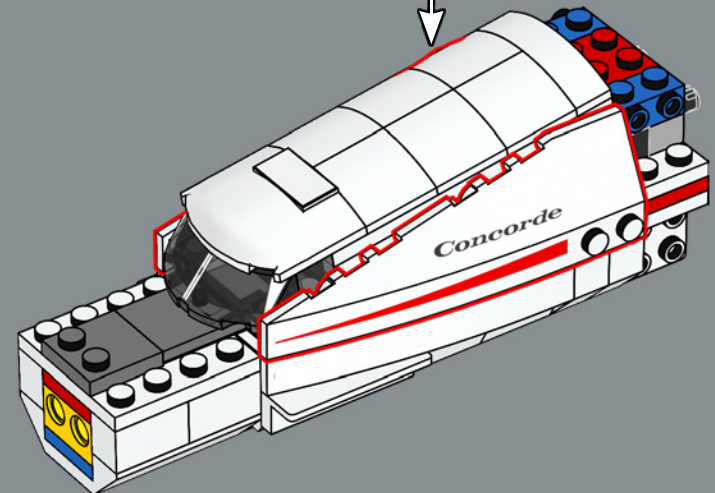
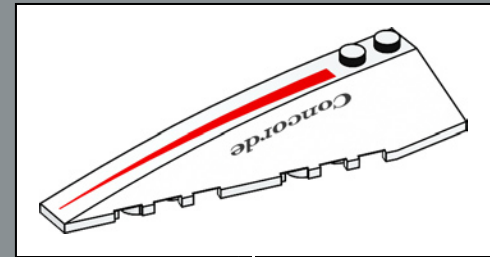
413

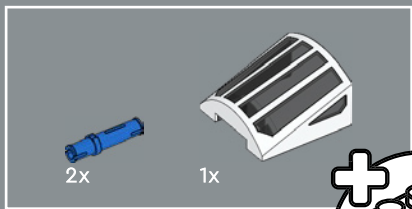


414

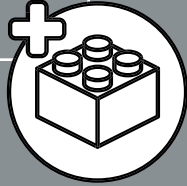


415

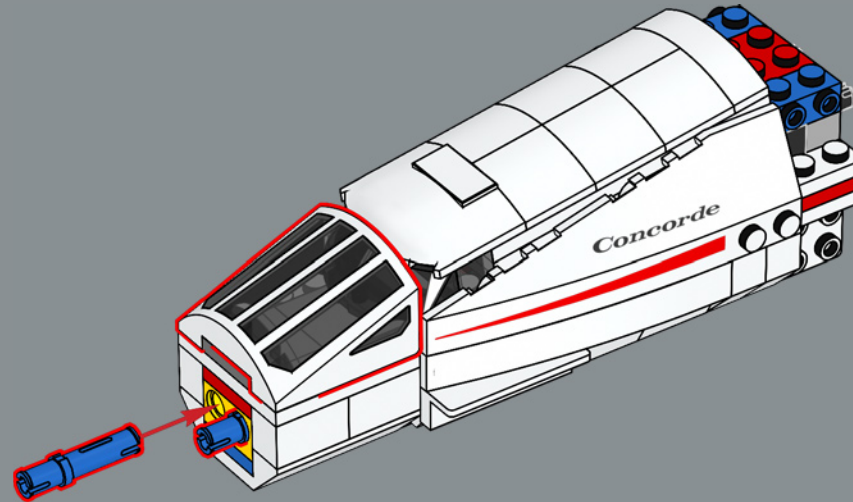




416

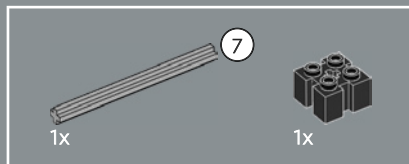
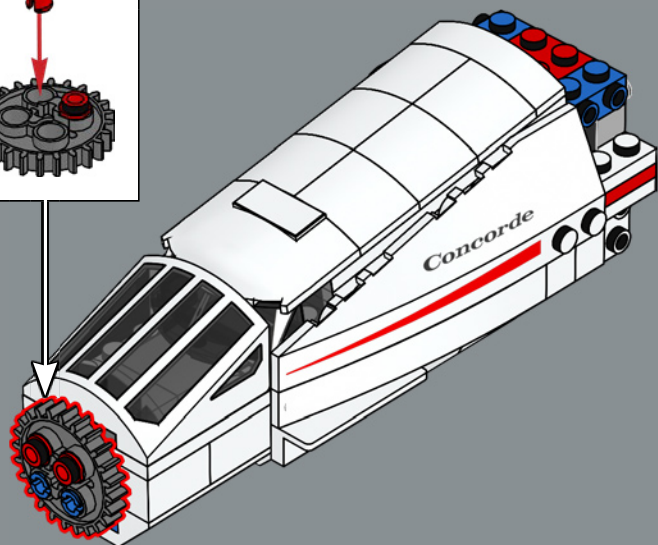
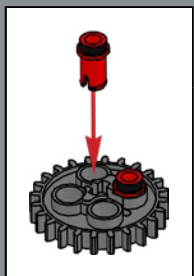


Two brand new LEGO® elements were developed exclusively for this model: the nose cone and the visor. Concorde's retractable visor folds down with the nose to reveal the cockpit windscreen hidden behind.

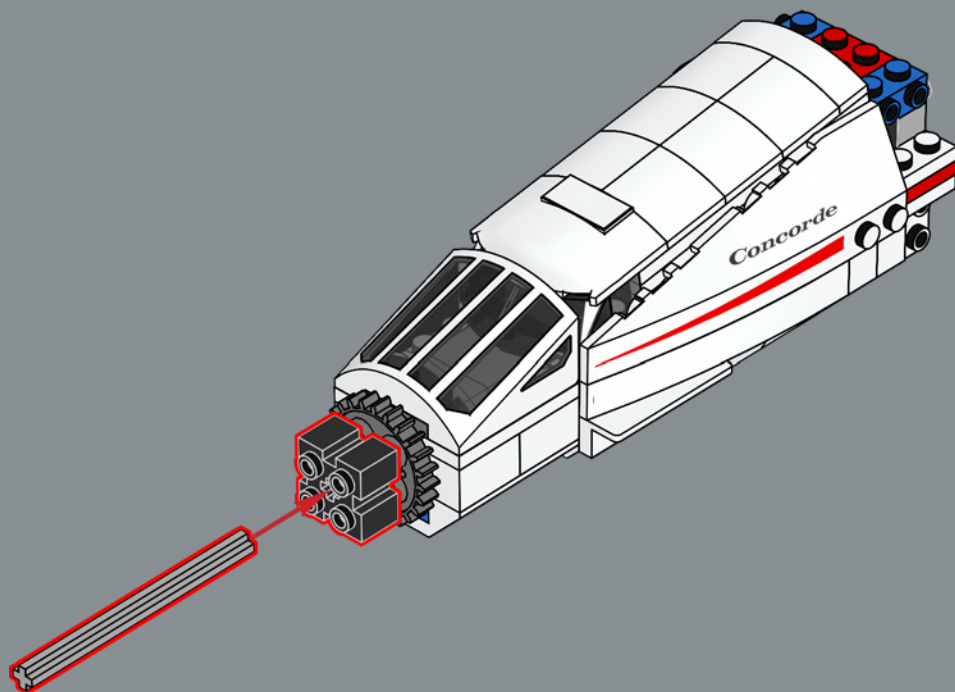
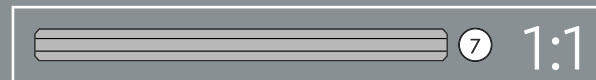


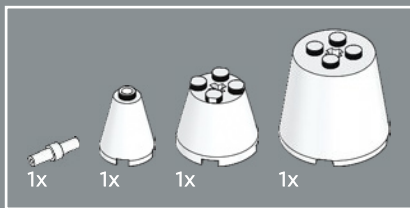


417



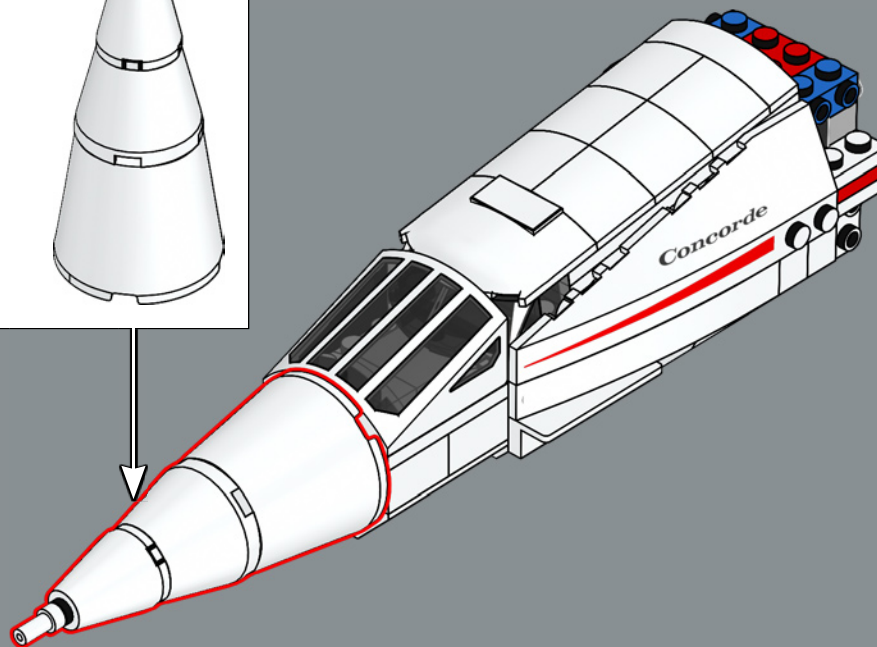
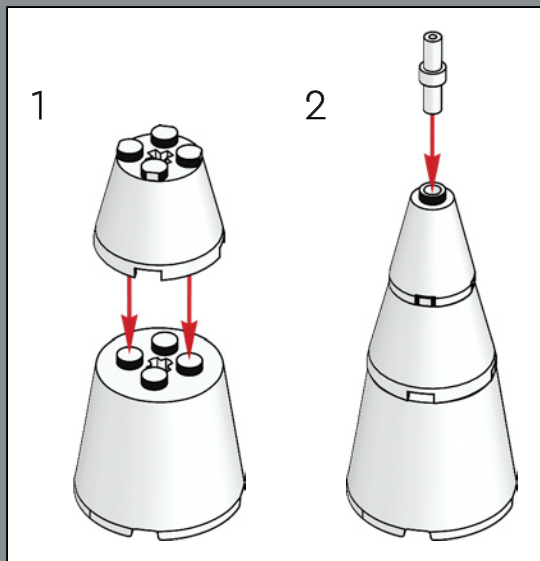
418



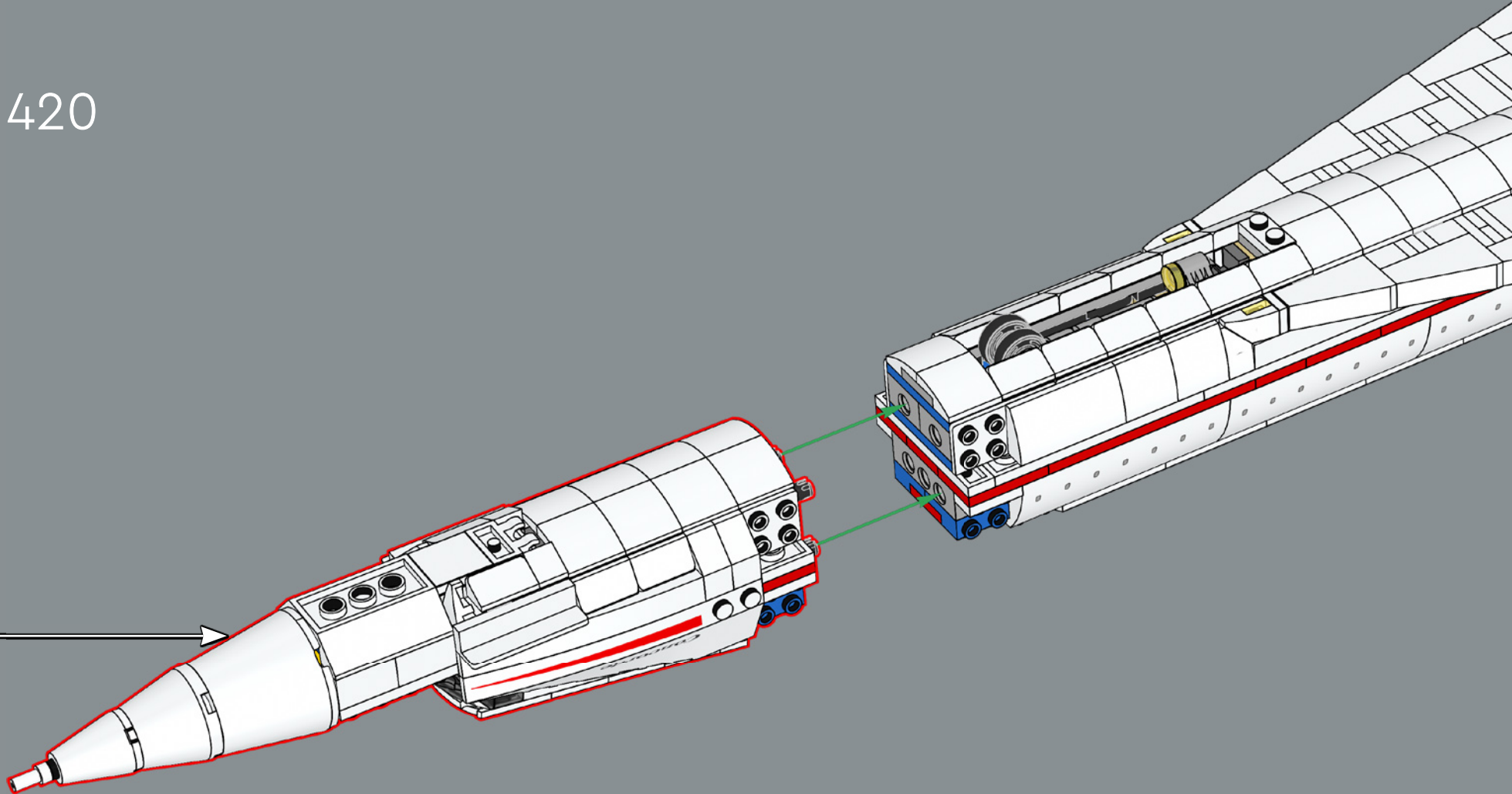


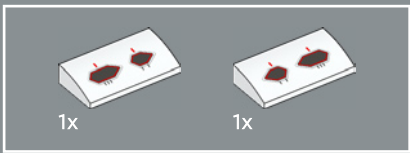
Concorde's long nose and delta wing were crucial to achieving supersonic speed, but the high angle of attack on take-off and landing and the length of the nose cone made it difficult for pilots to see the runway. The solution - the iconic Drogue Snoot!

419



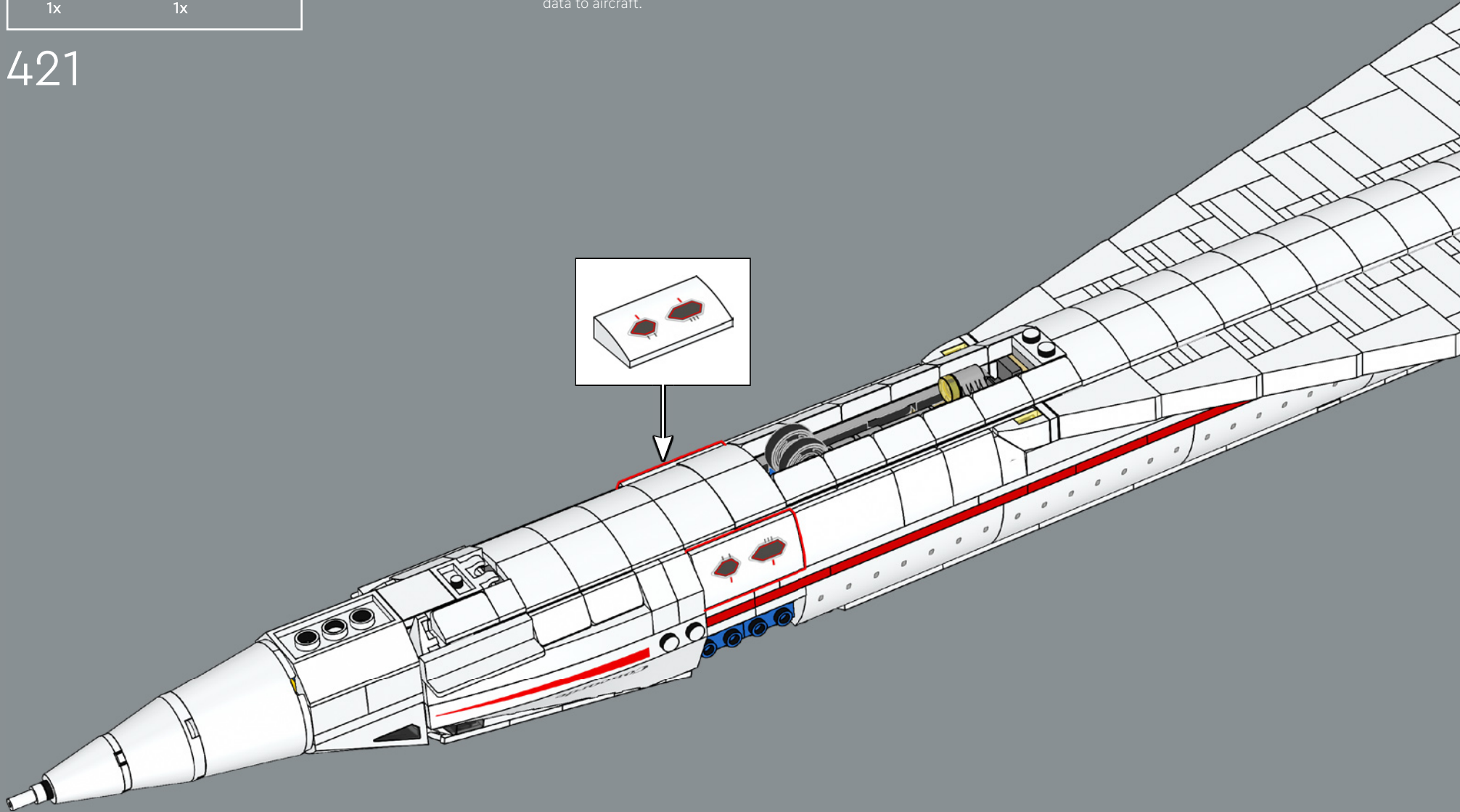
420





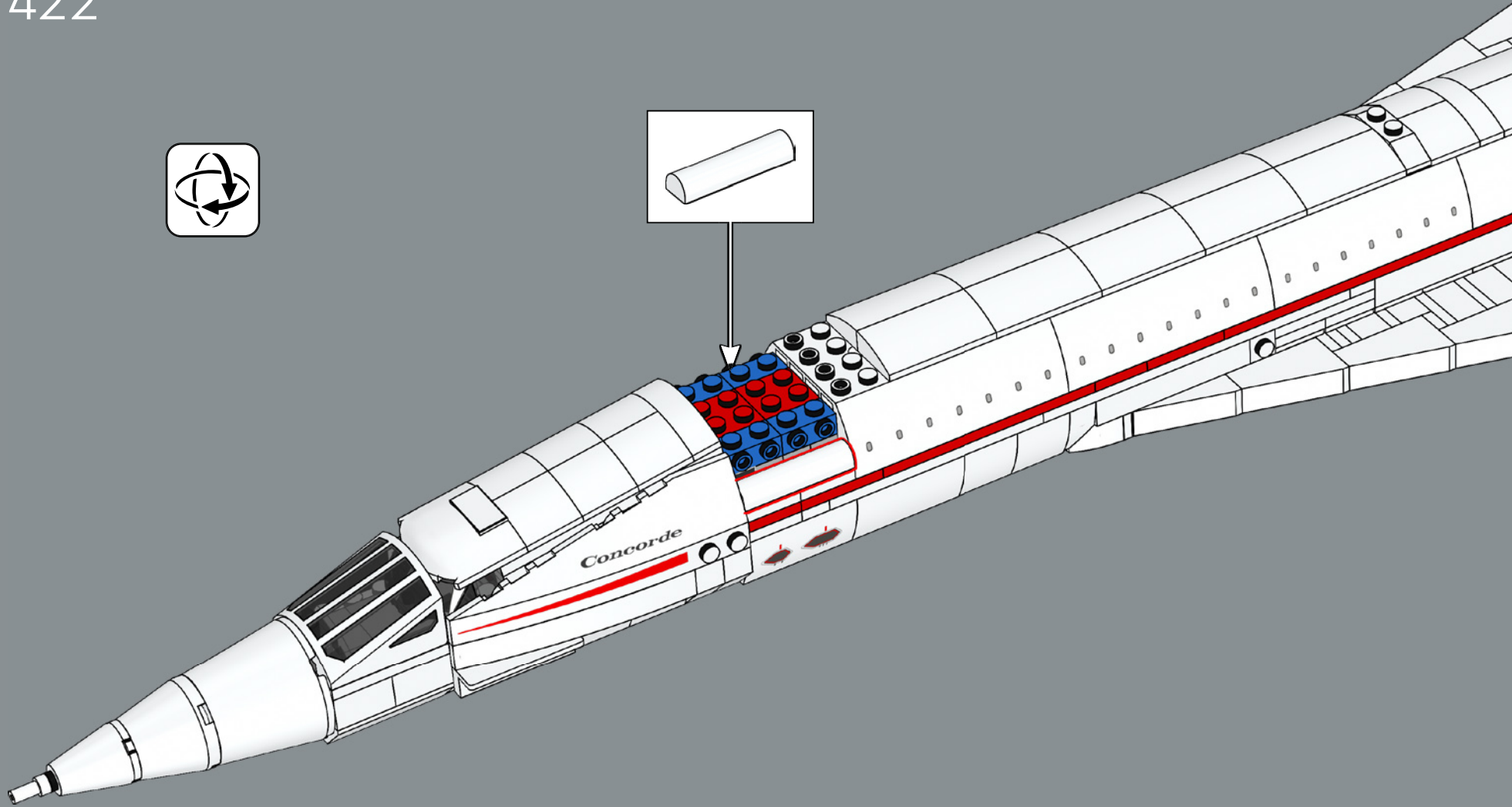
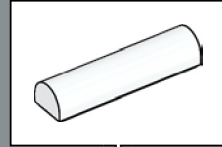
These panels are static ports, providing static air pressure data to aircraft.

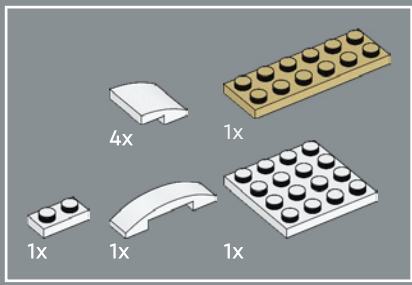
421



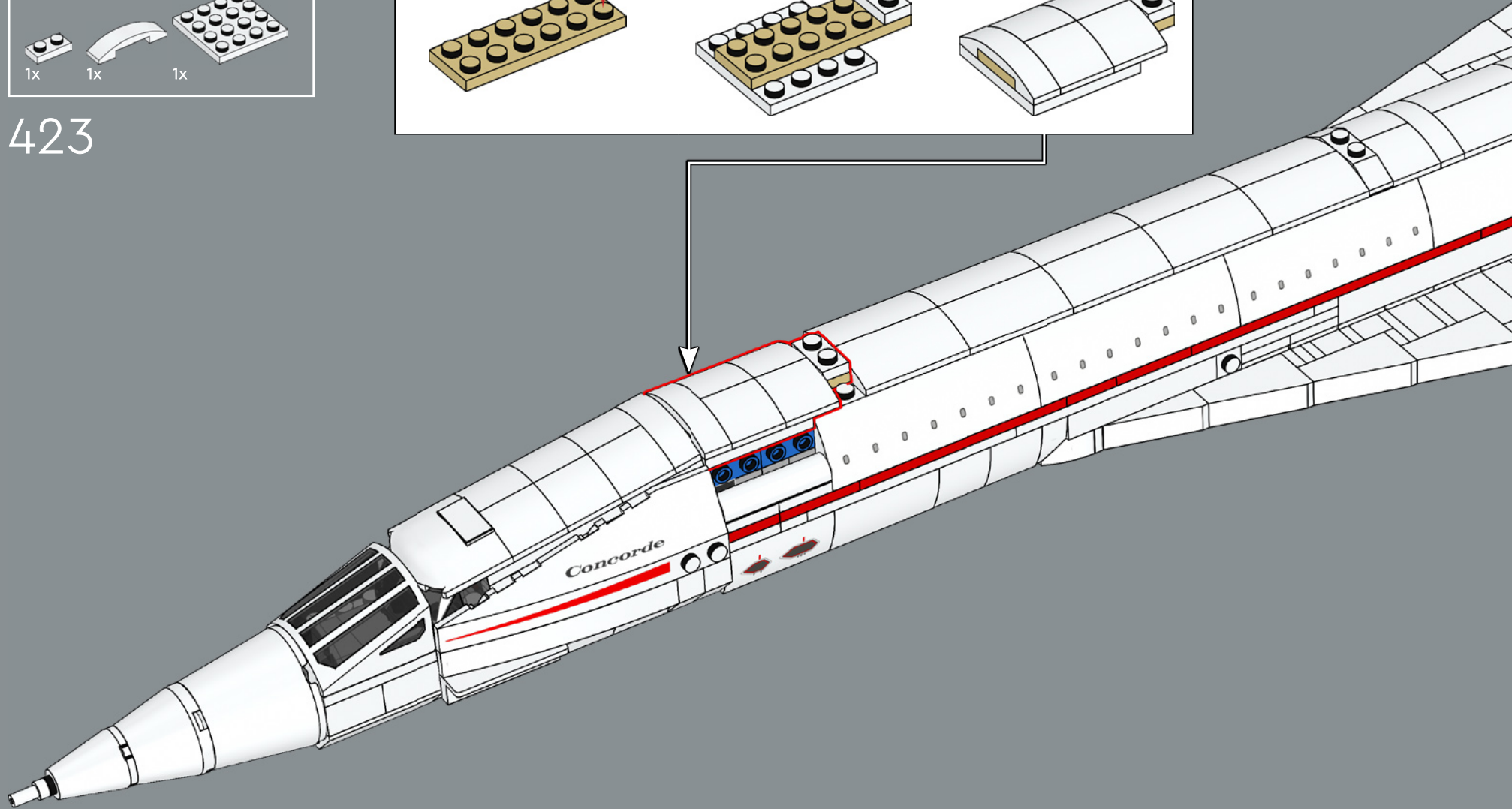
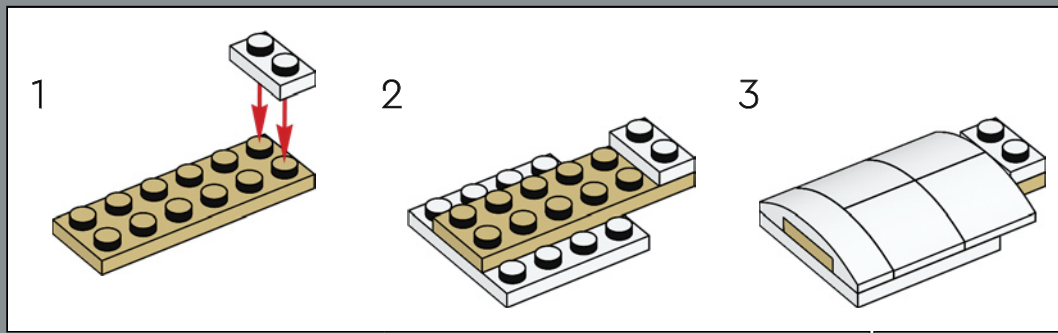


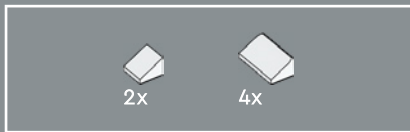
422



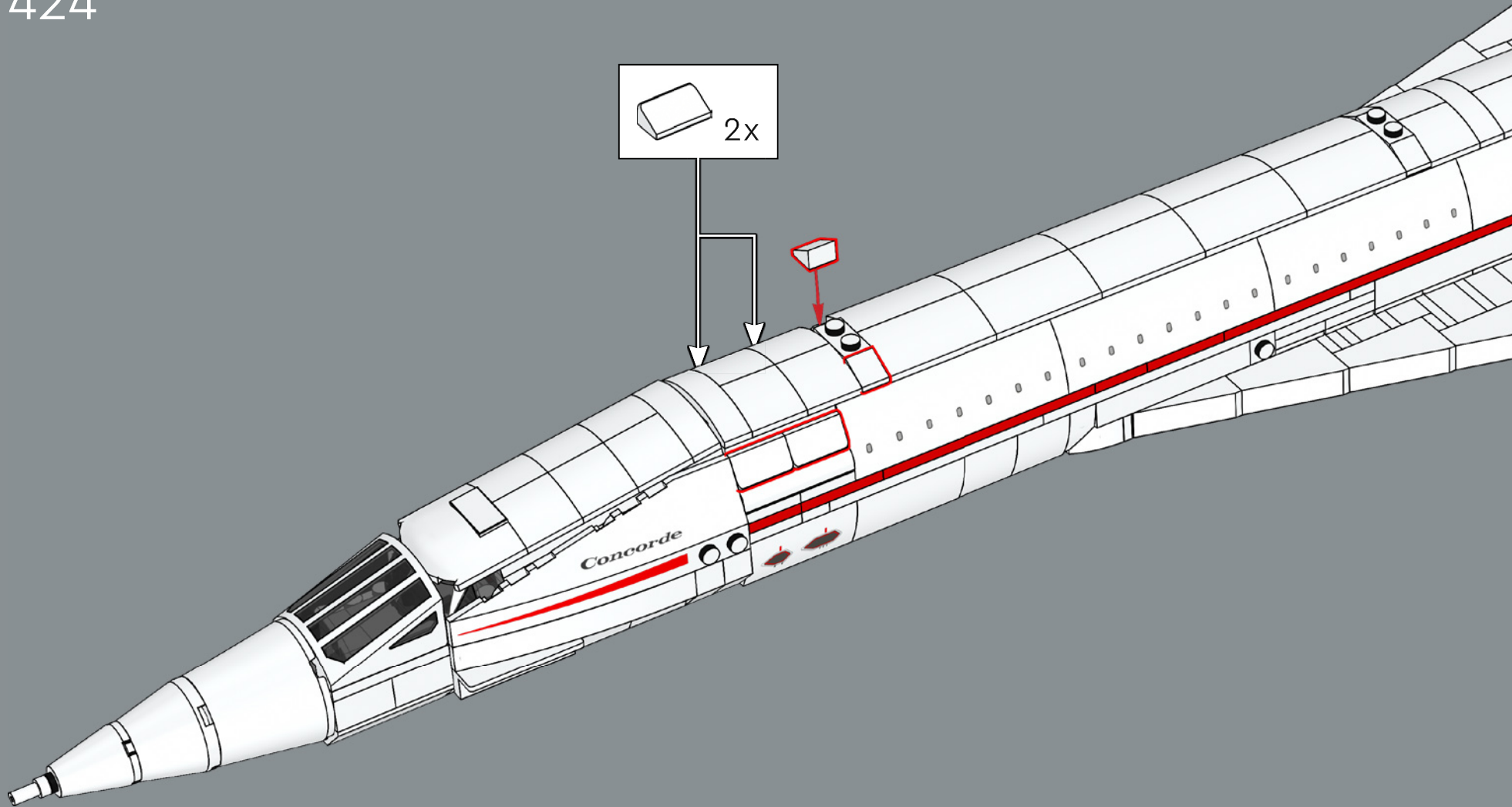
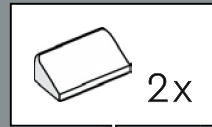


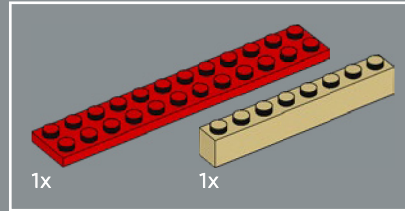
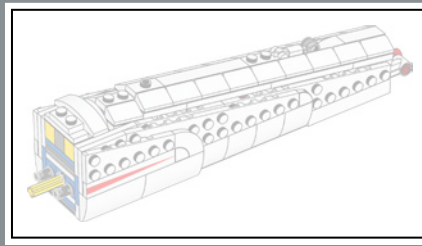
423



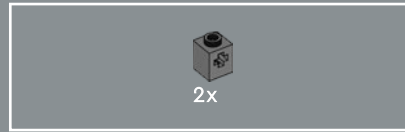
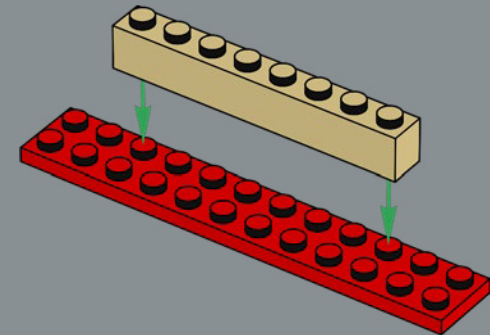


424

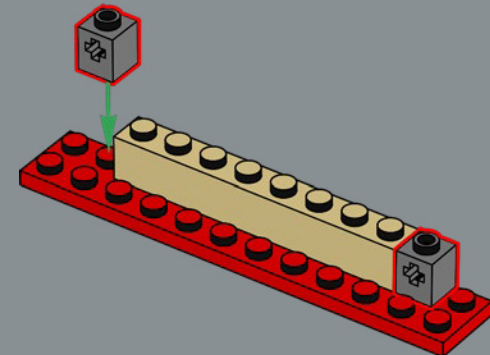


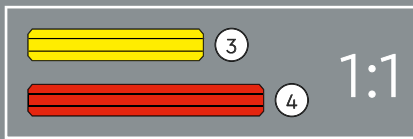
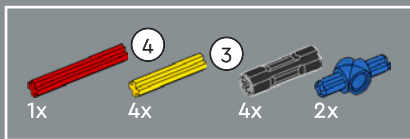


425



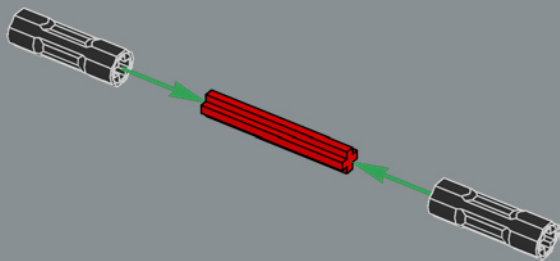
426



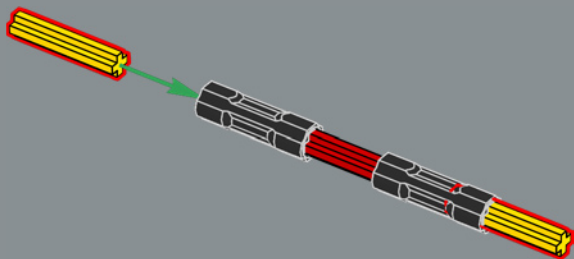


427

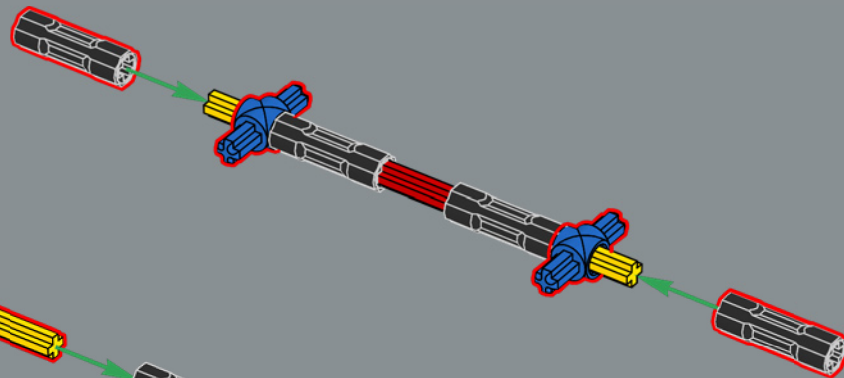
1



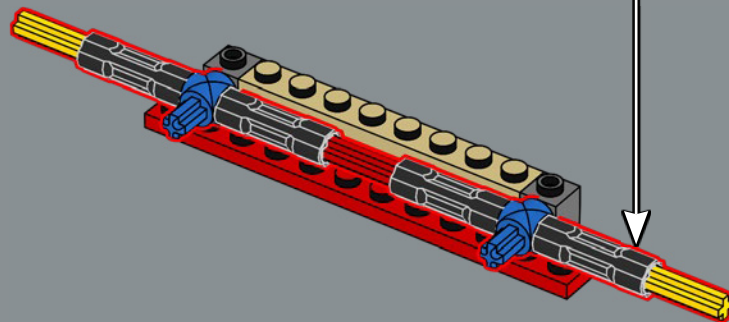
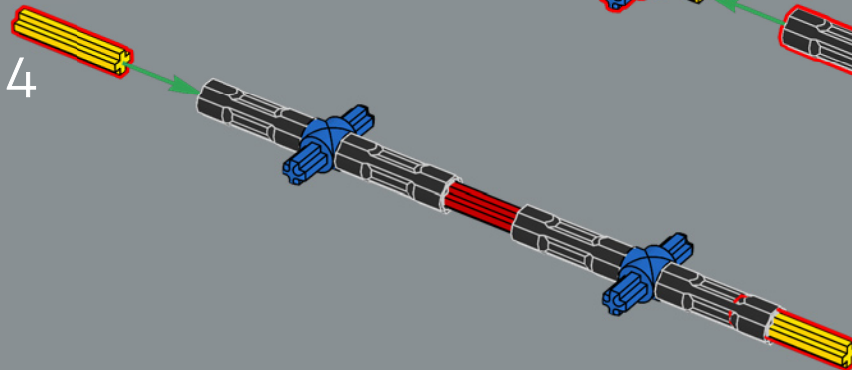
2

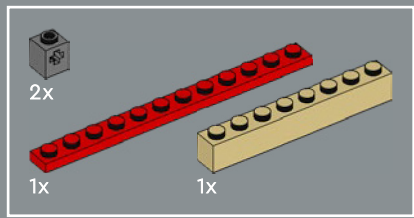


3

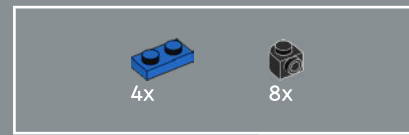
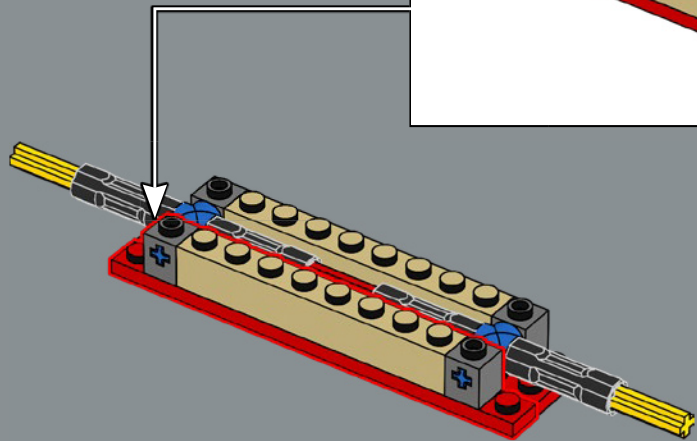
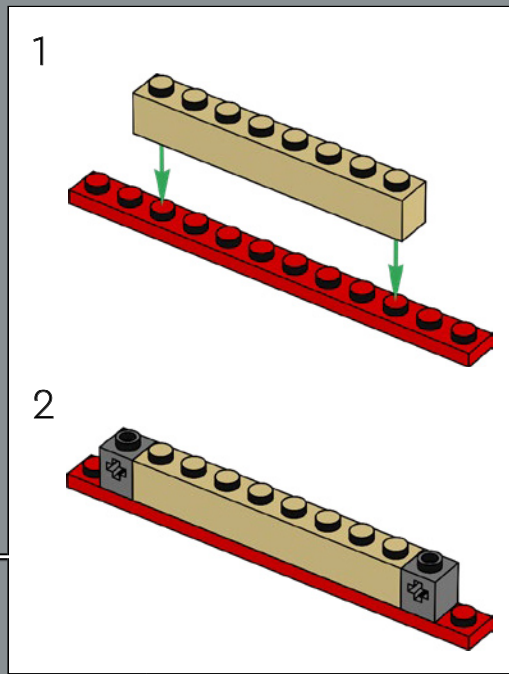


4

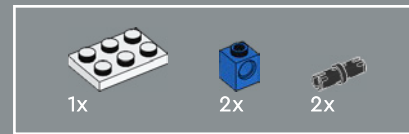
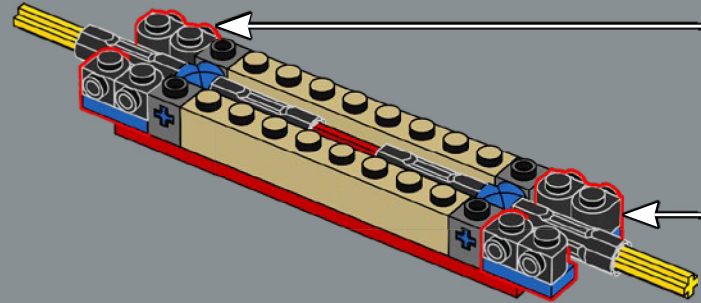
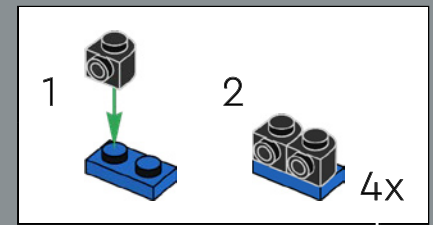




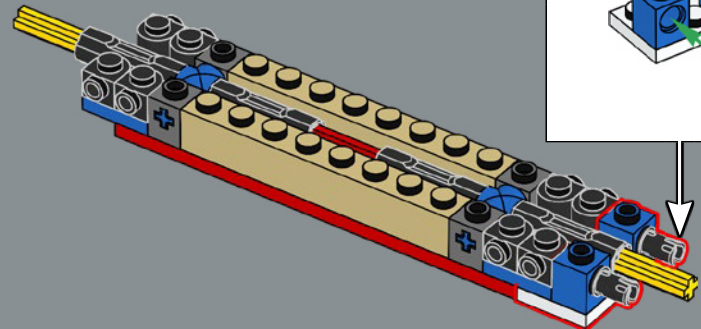
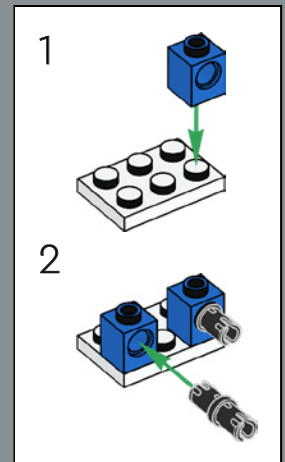
428

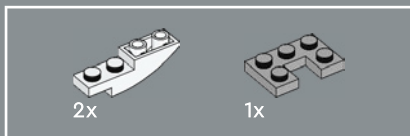


429

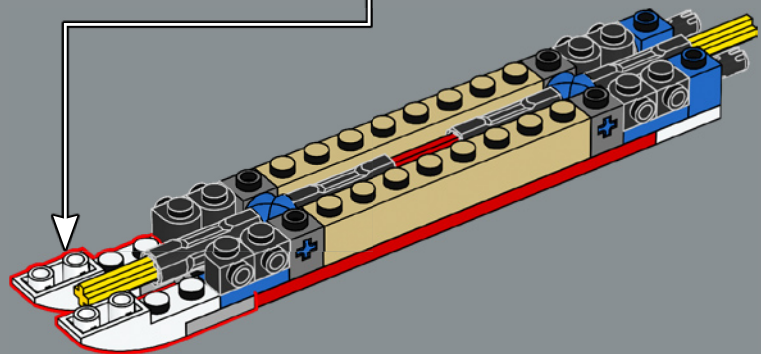
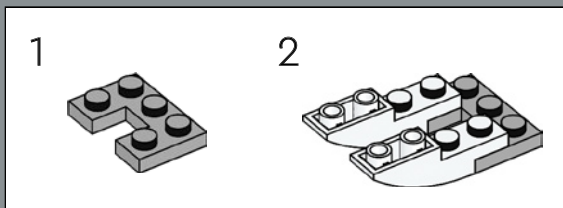


430

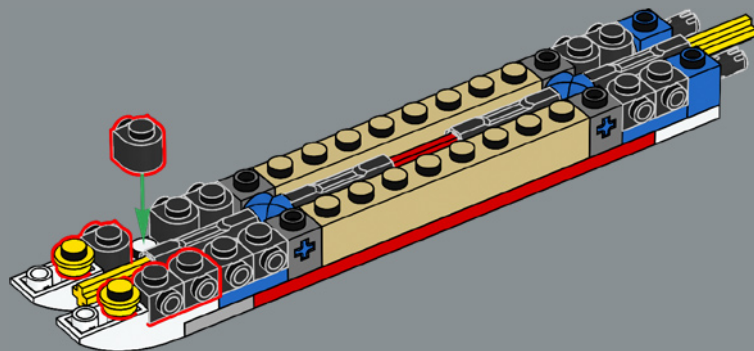




431

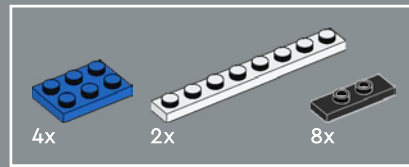
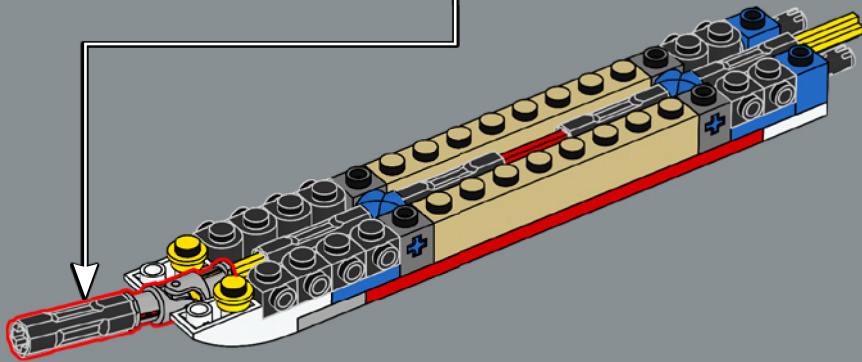
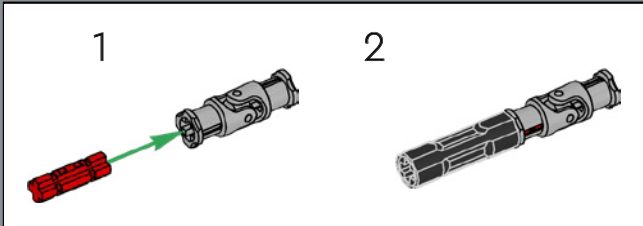


432

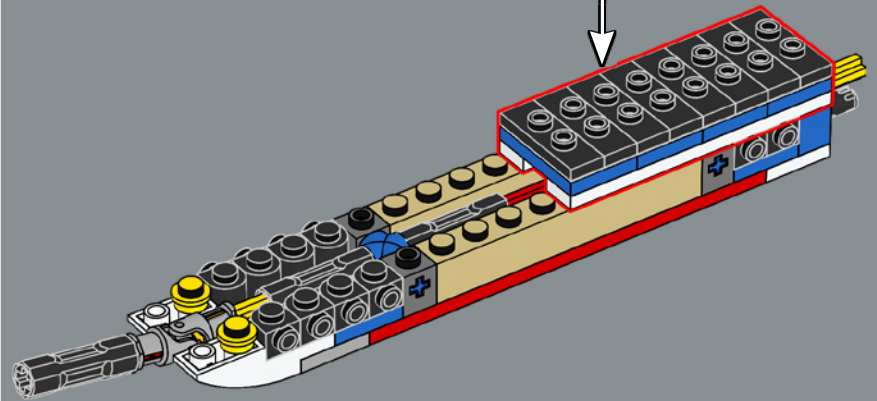
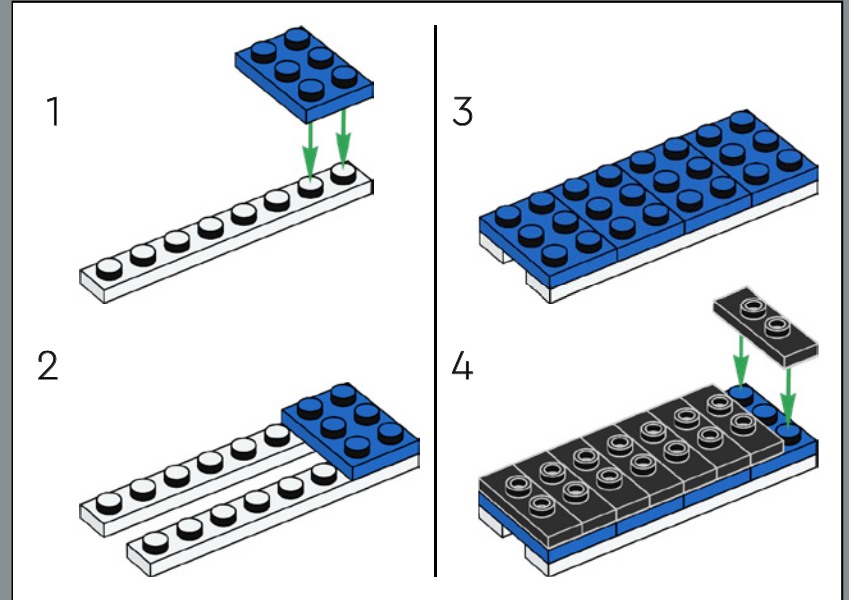


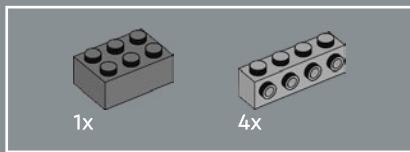


433



434

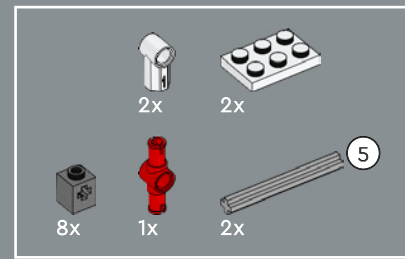
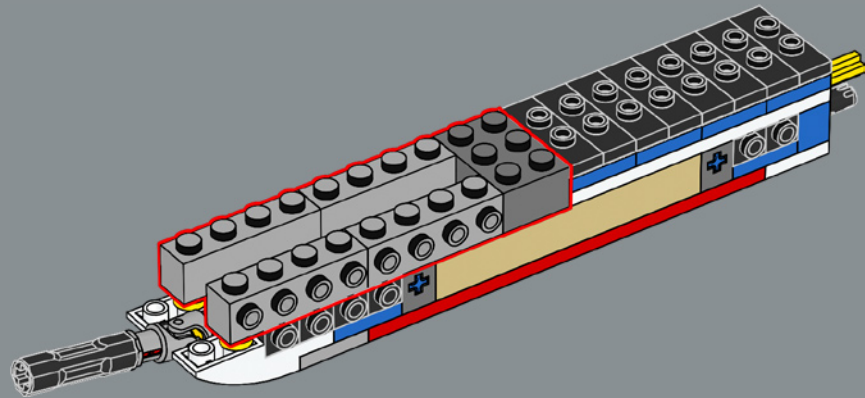




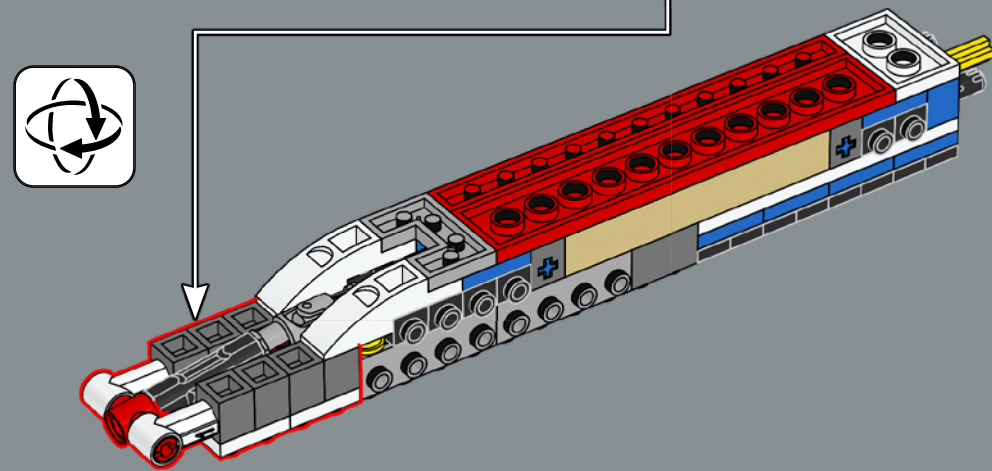
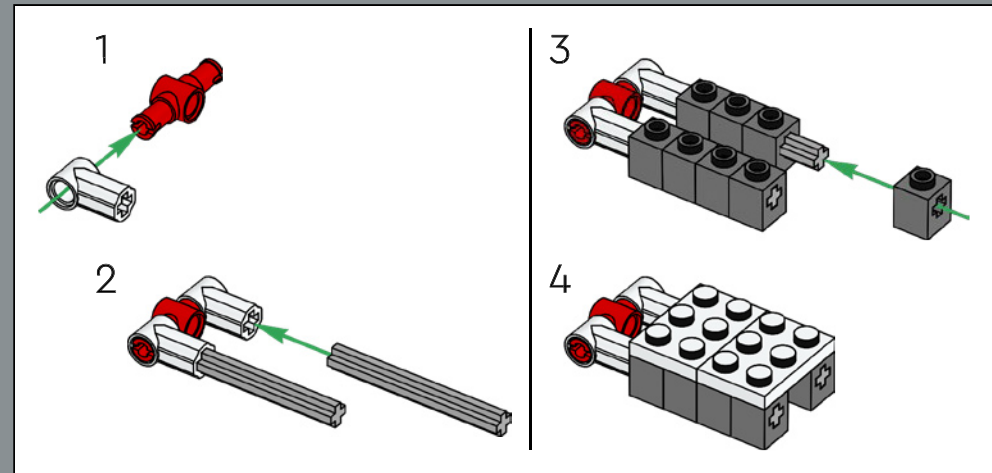
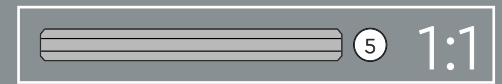
435

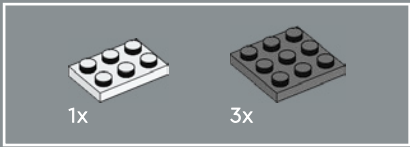


The rear trim tank is a fuel tank held in the tail of the aircraft. The centre of gravity of the Concorde had to be different for take-off and supersonic cruising, so the flight engineer transferred fuel between tanks to adjust the aircraft's centre of gravity.

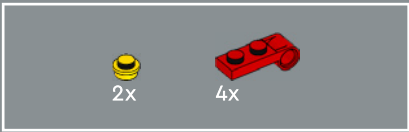
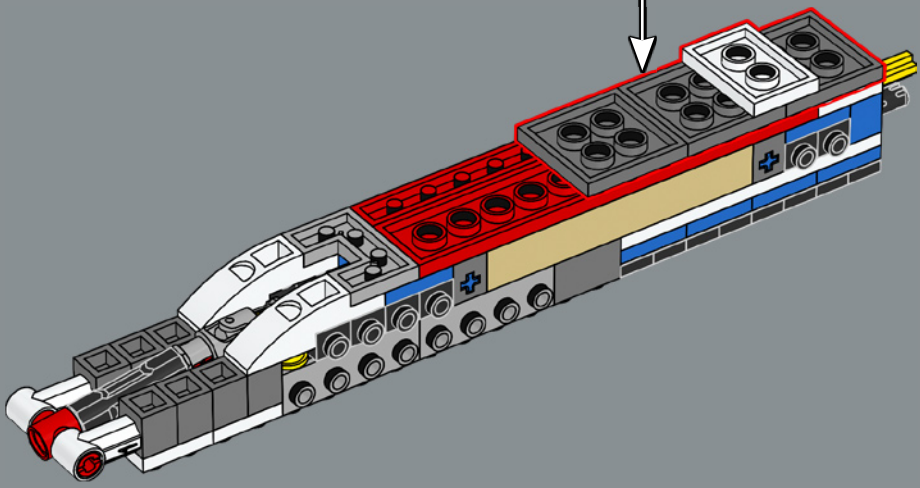
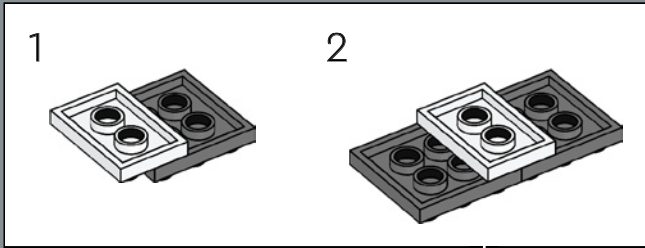


436

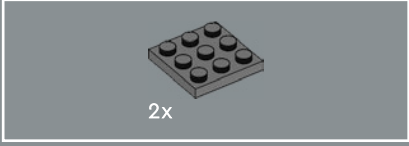
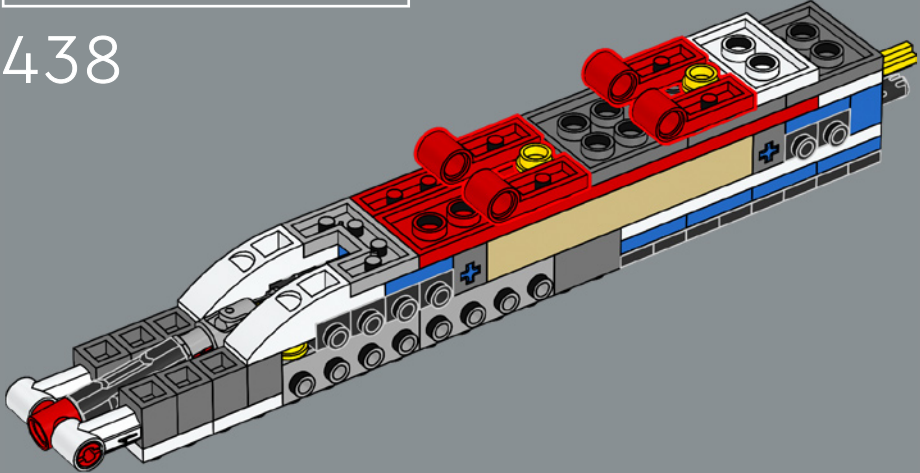




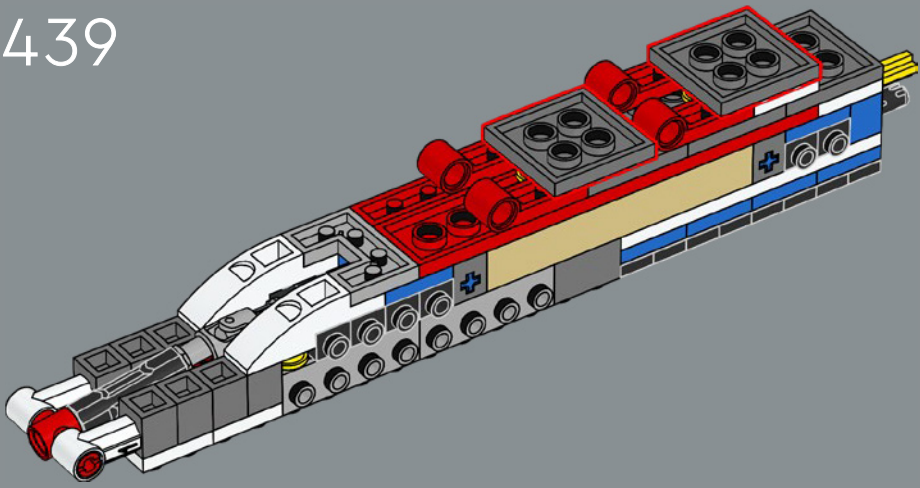
437

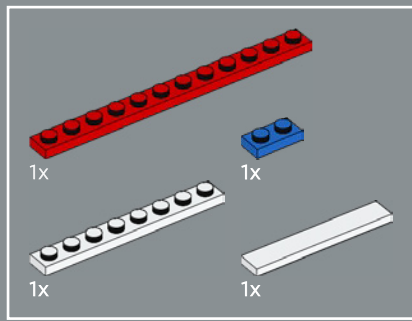


438

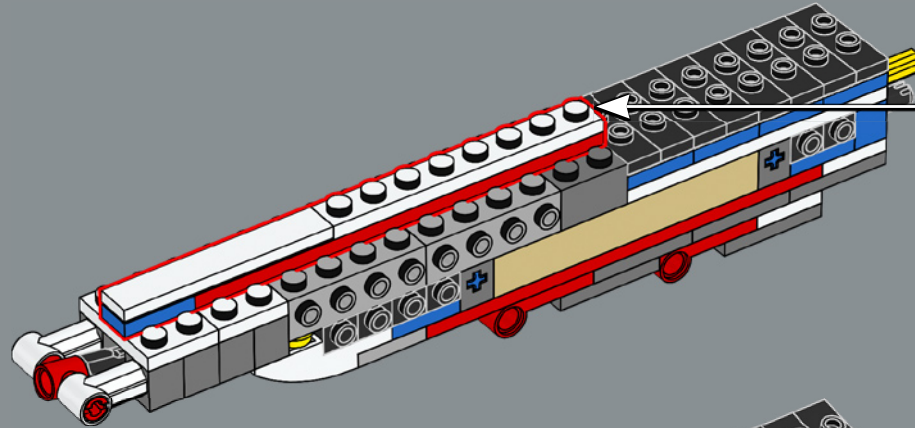
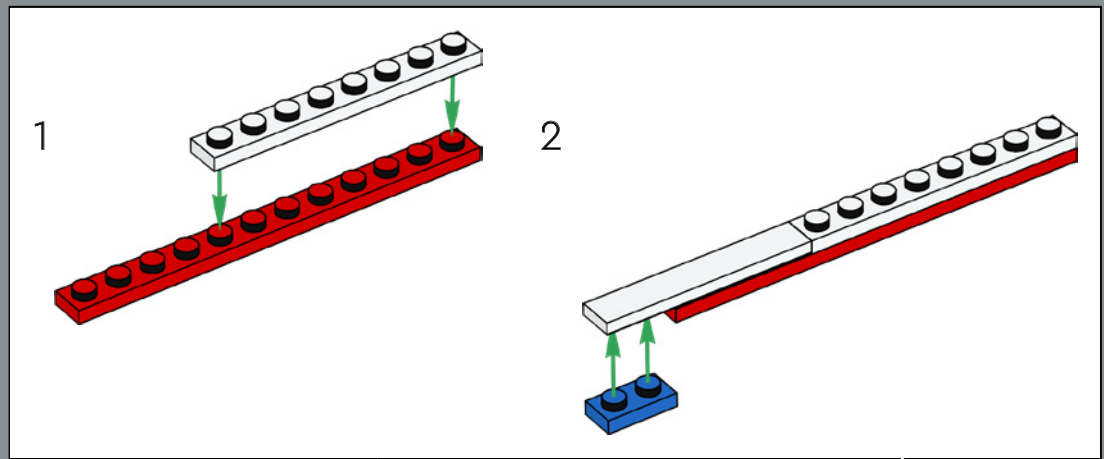


439

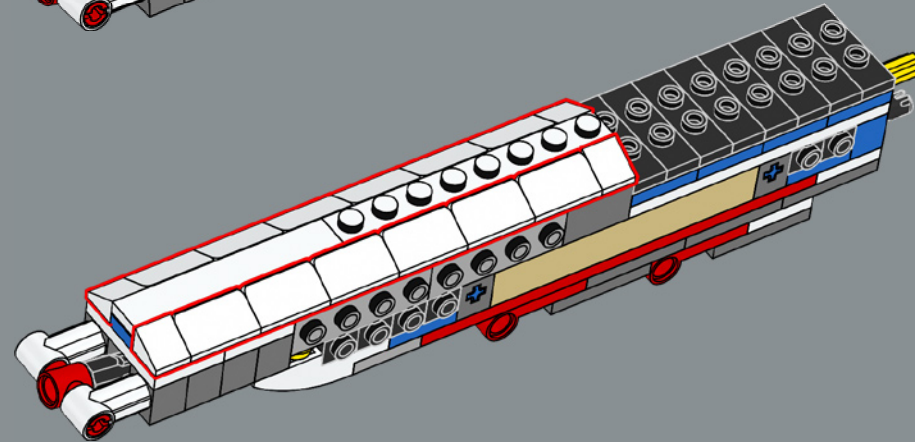




440

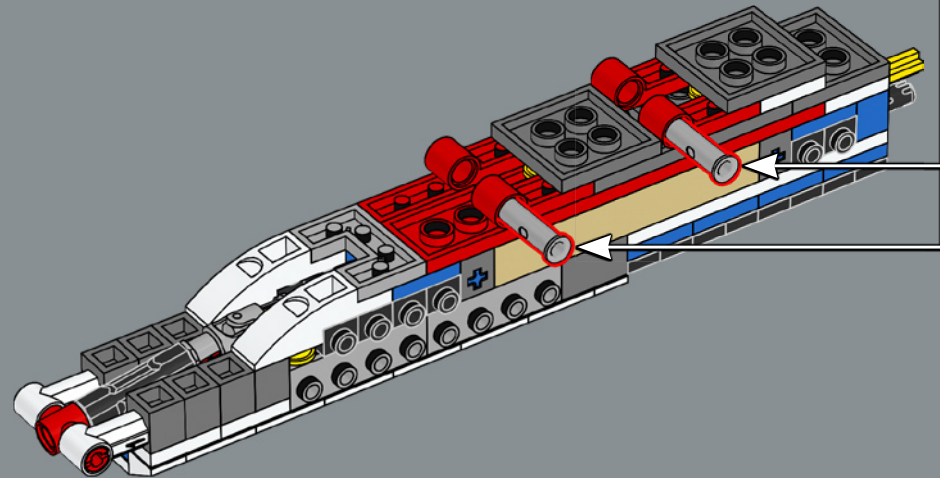
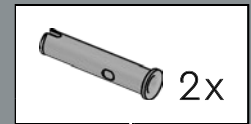


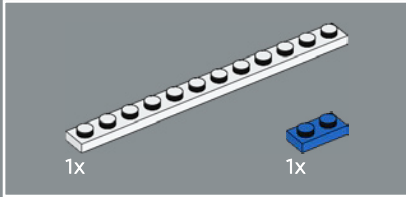
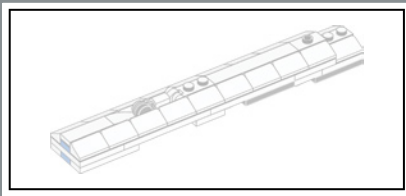
441



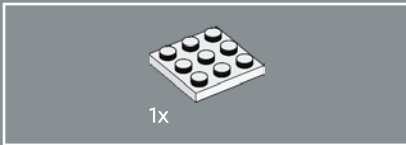
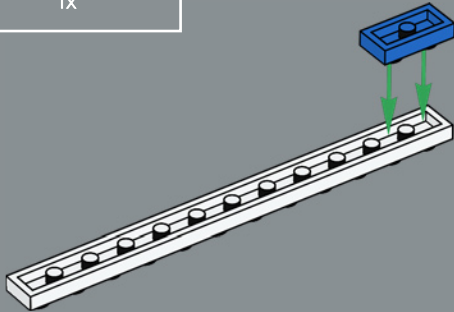


442

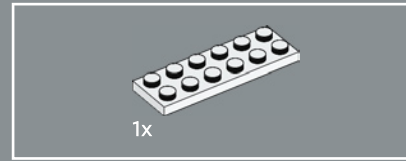
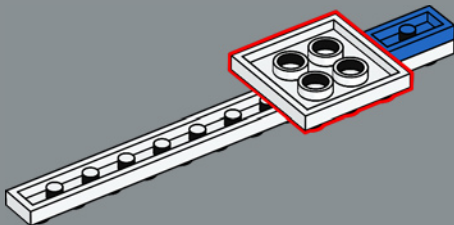




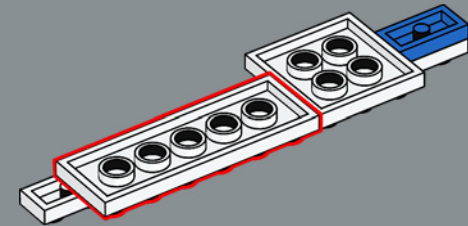
443



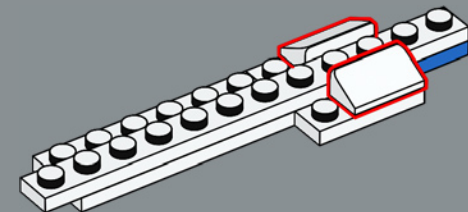
444



445

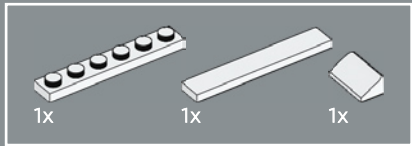
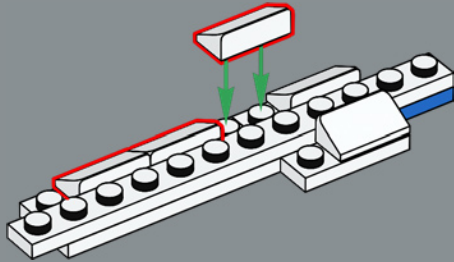


446

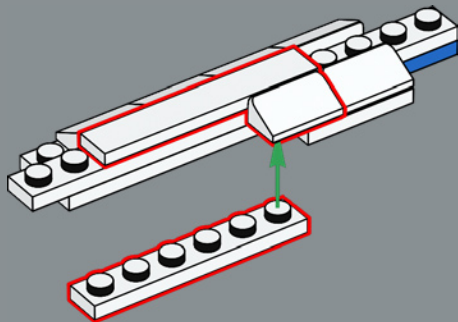




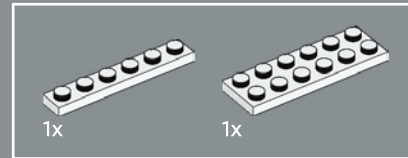
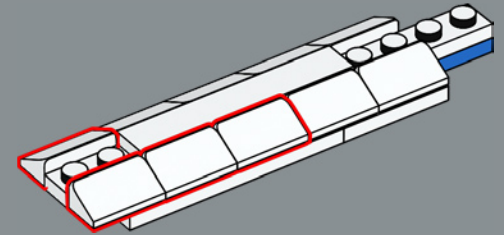
447



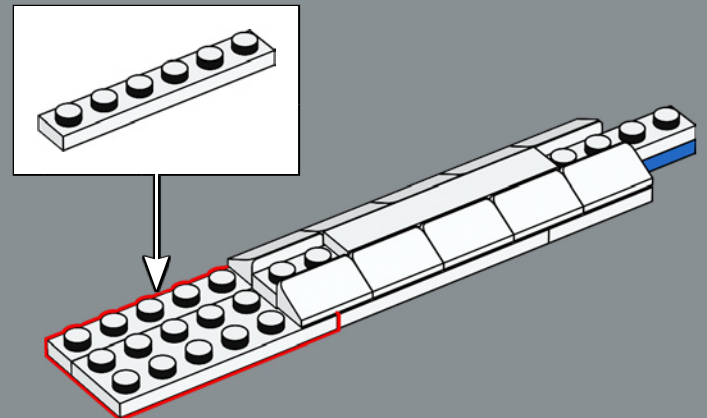
448

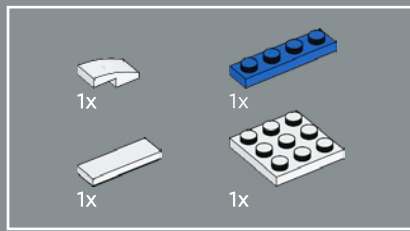


449

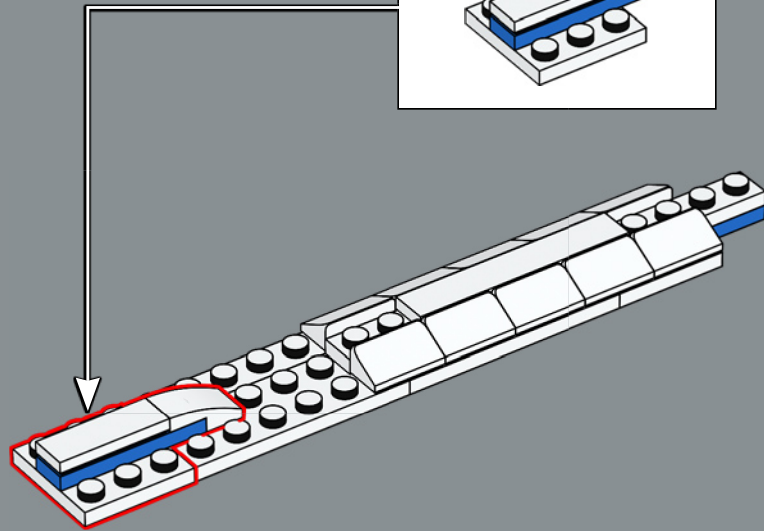
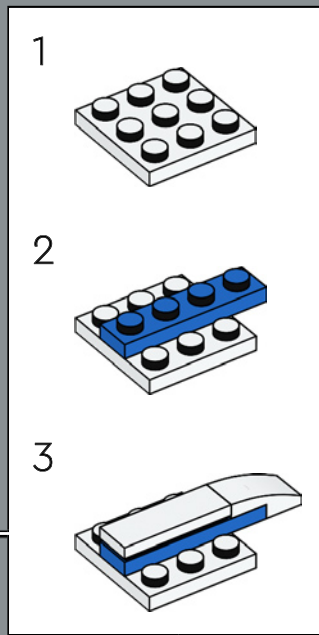


450

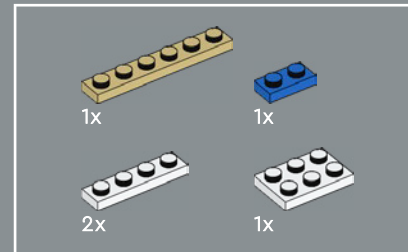
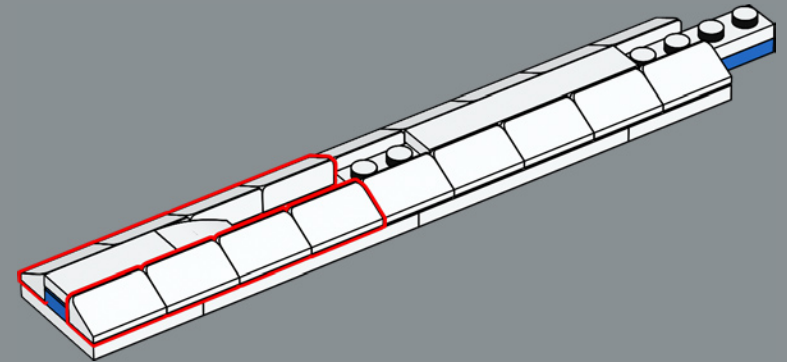




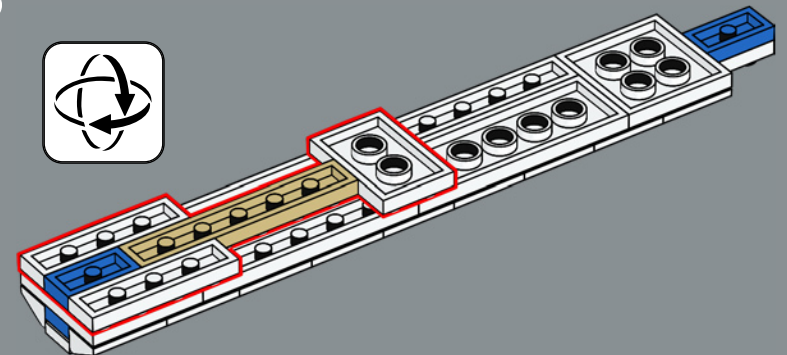
451

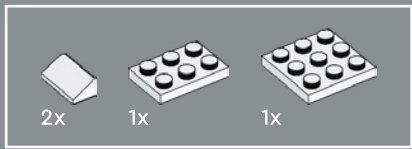


452

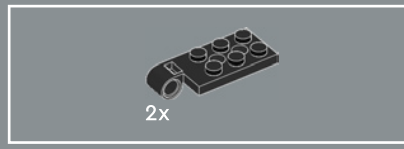
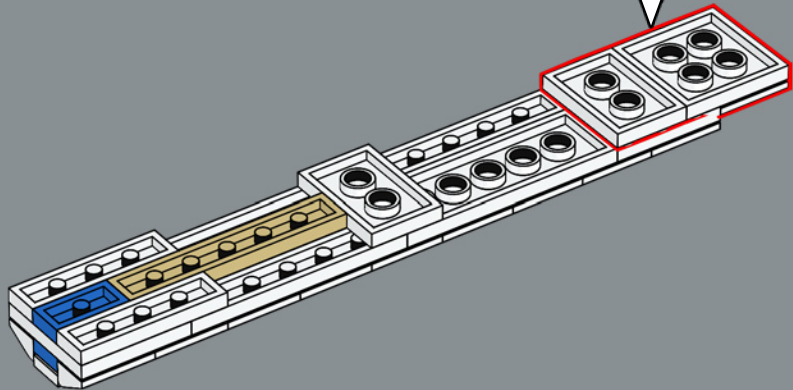
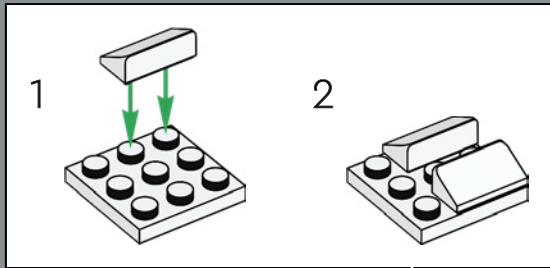


453

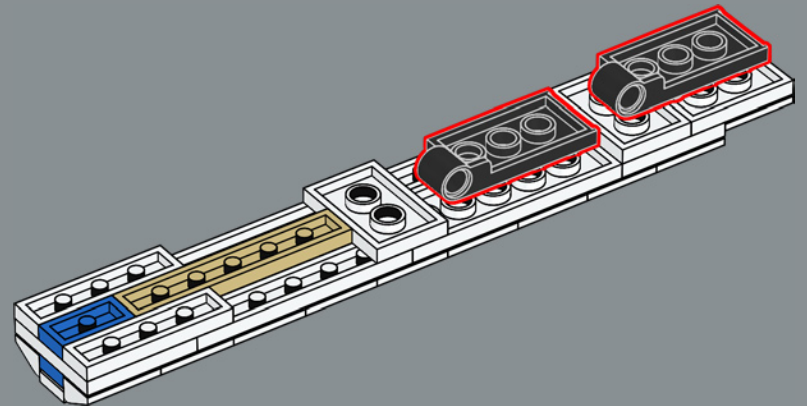


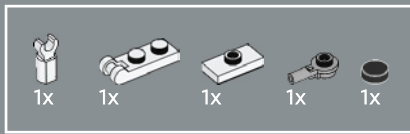


454



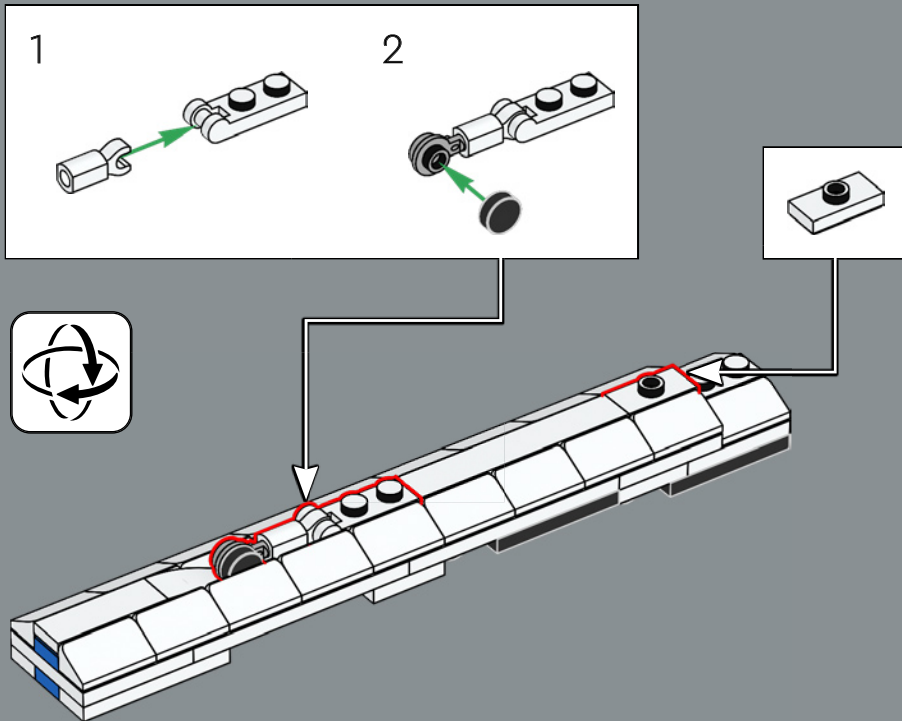
455





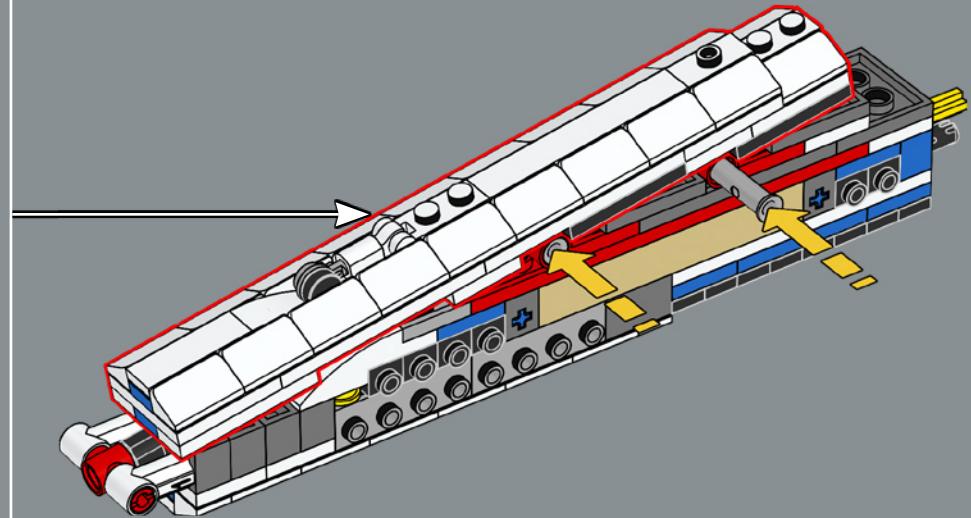
As Concorde required a high angle of attack to optimise the delta wing's lift on take-off and landing, the aircraft featured a small tail bumper wheel to ensure the rear of the plane didn't hit the ground.

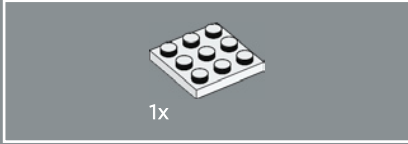
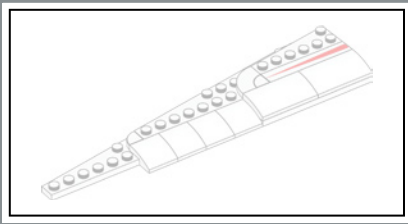
456



The underside of the tail is connected here with a reflected triangle, achieving the sleek tapered form that makes Concorde so iconic.

457

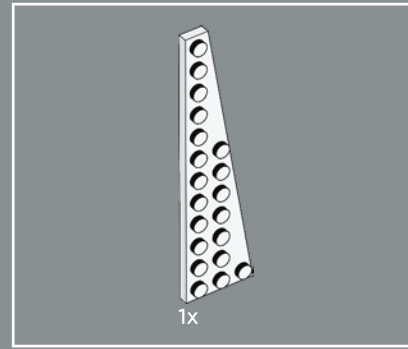
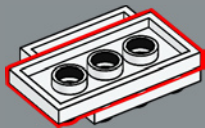




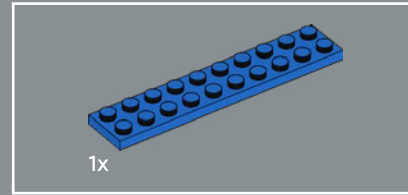
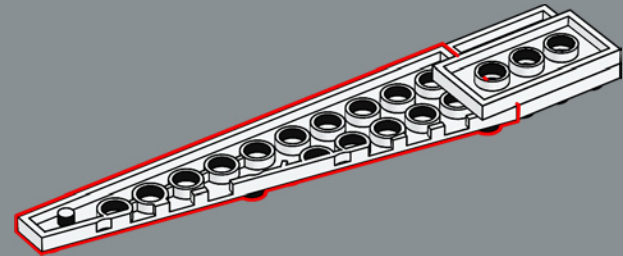
458



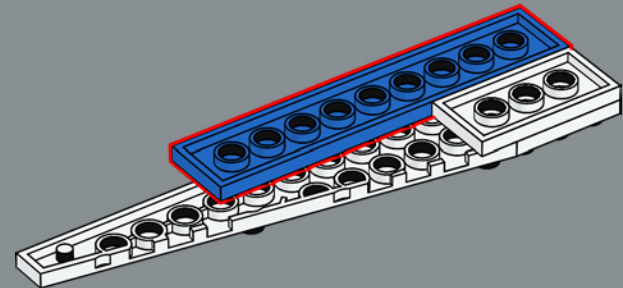
459

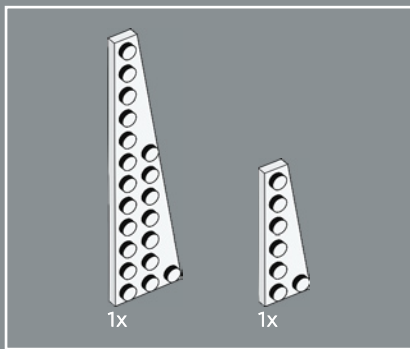


460

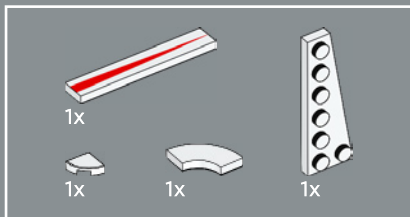
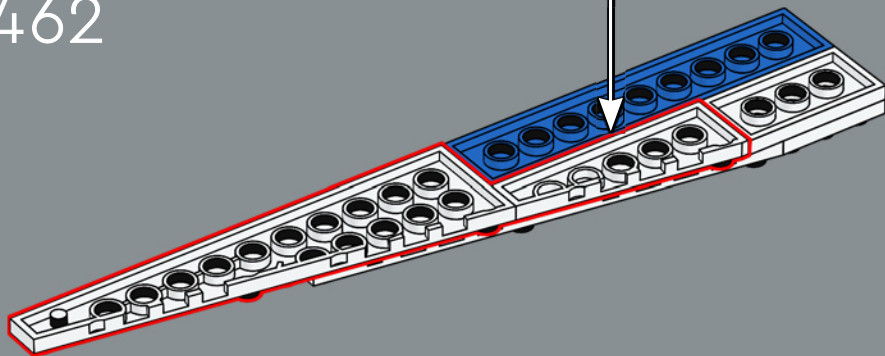
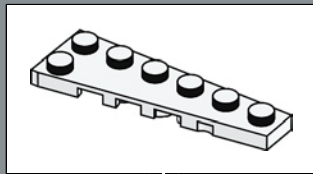


461

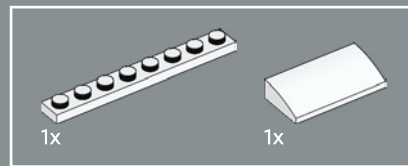
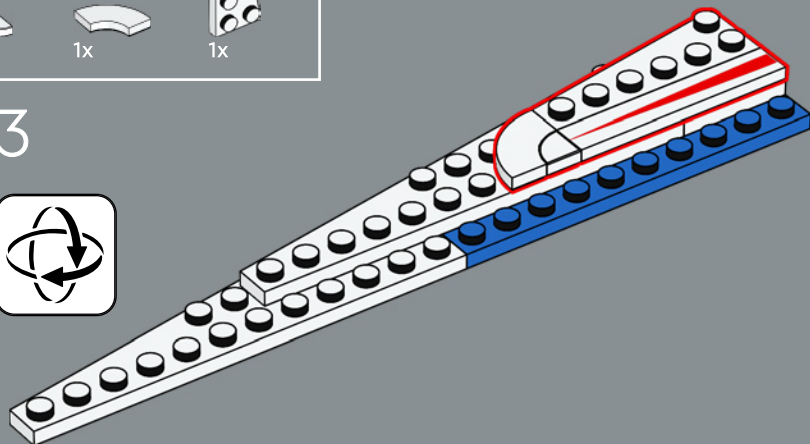




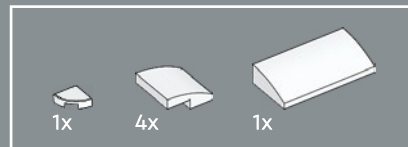
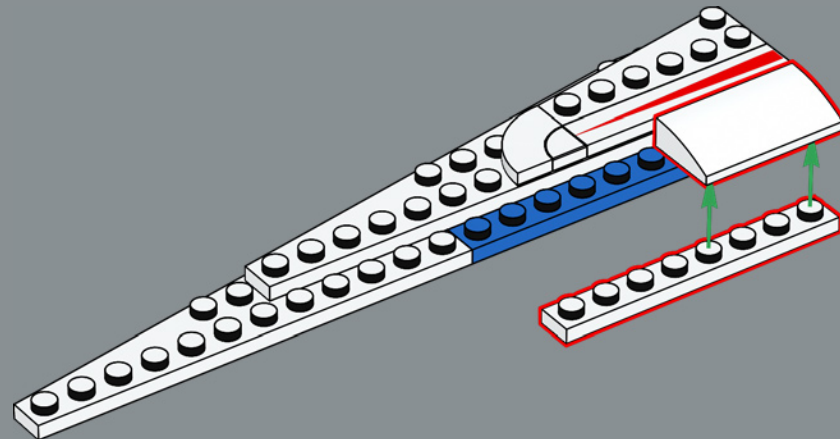
462



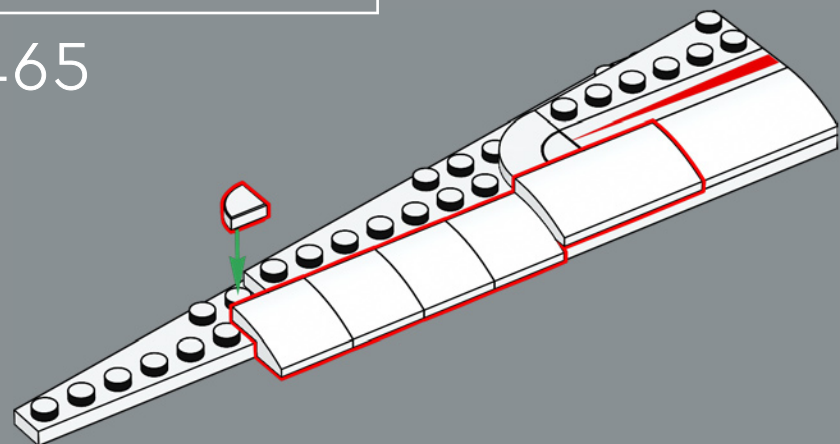
463



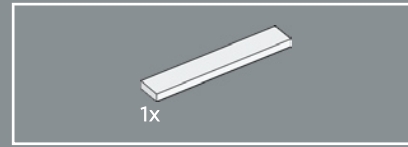
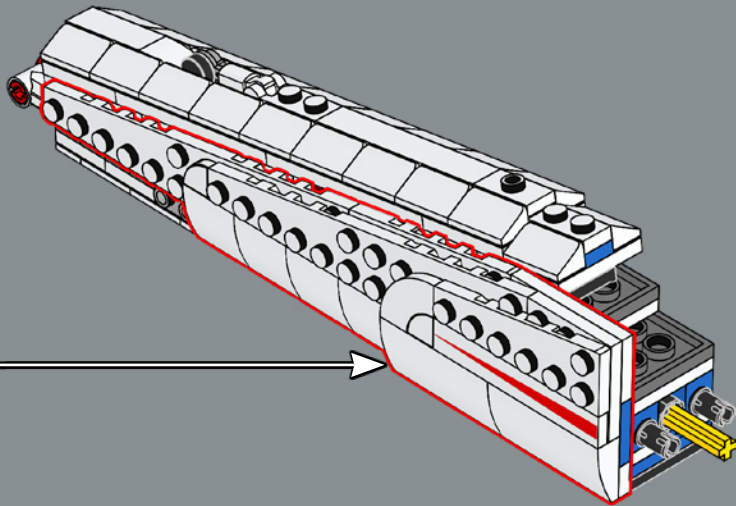
464



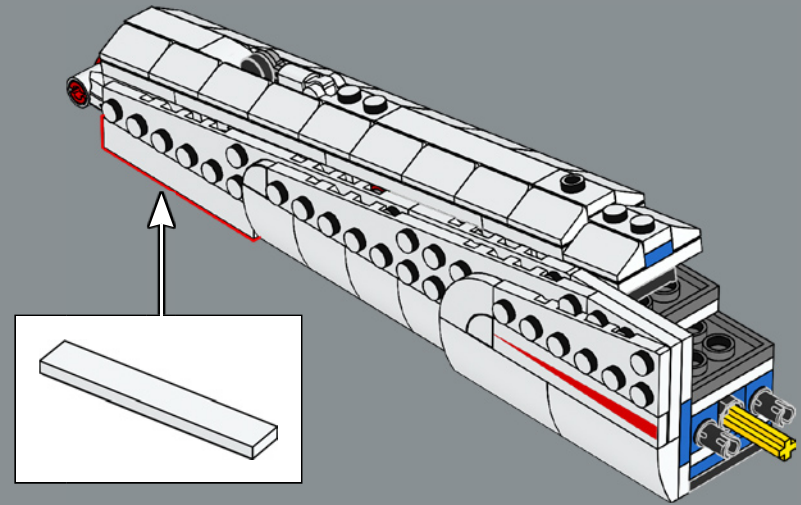
465

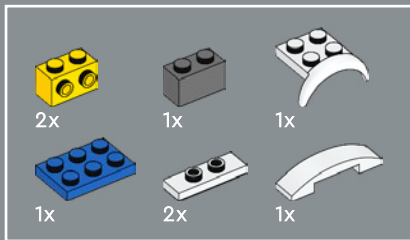


466

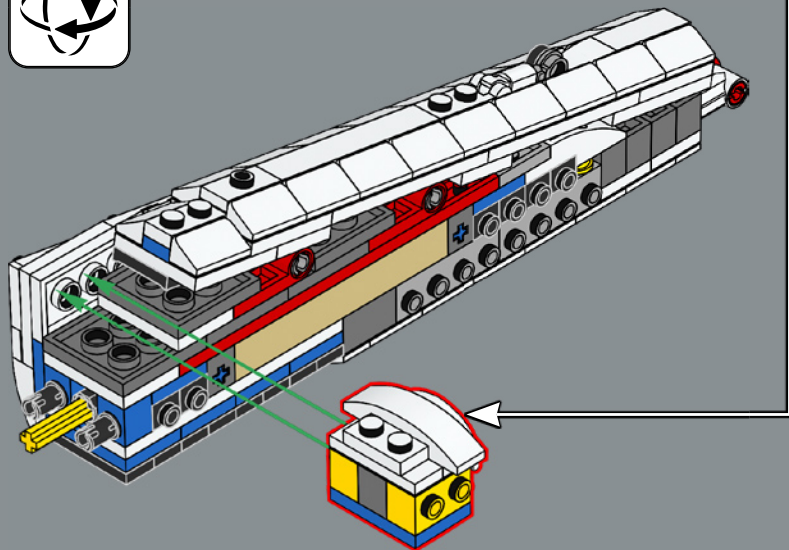
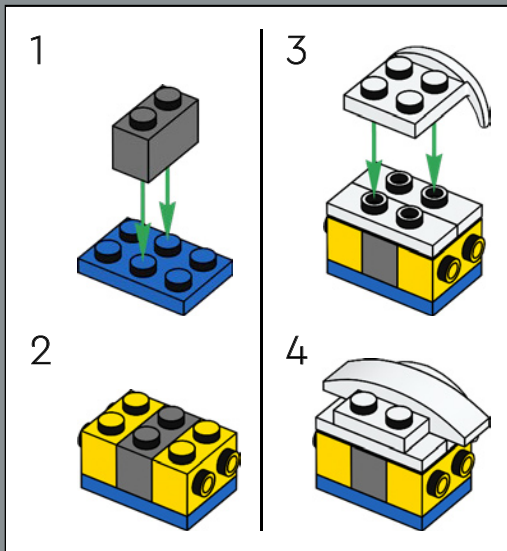


467

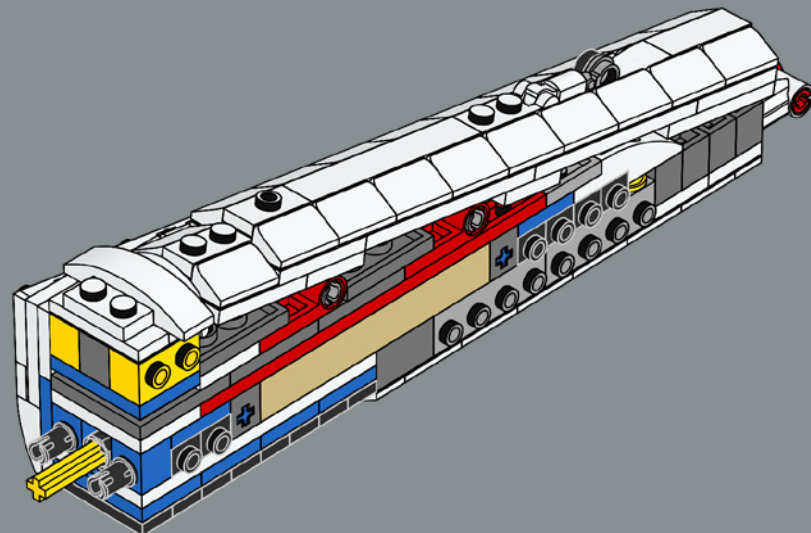


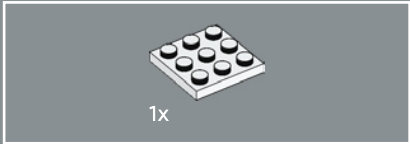
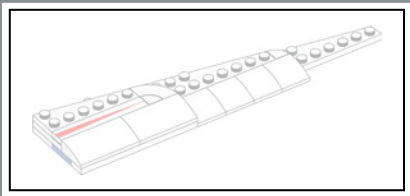


468



469

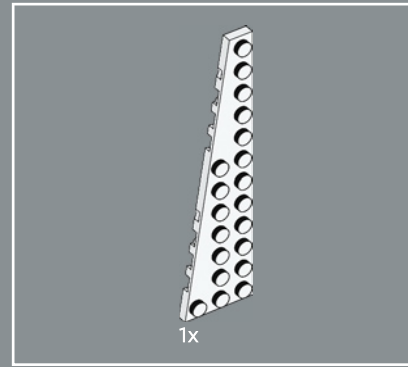




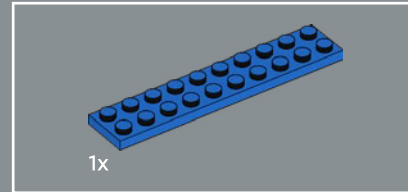
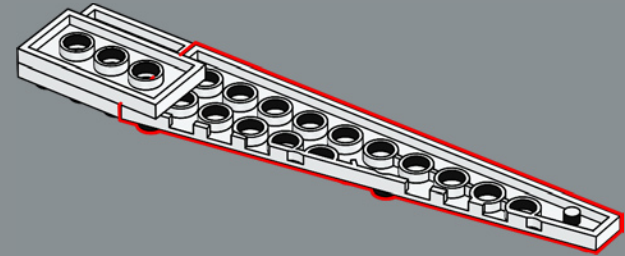
470



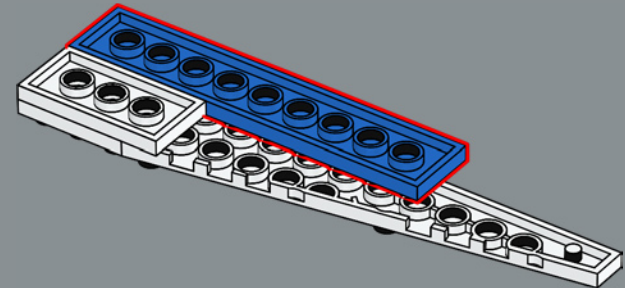
471

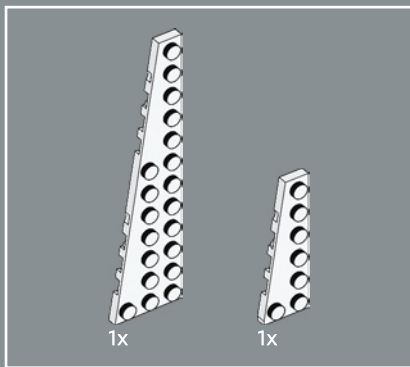


472

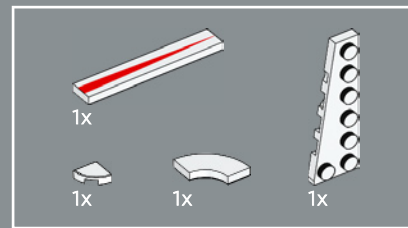
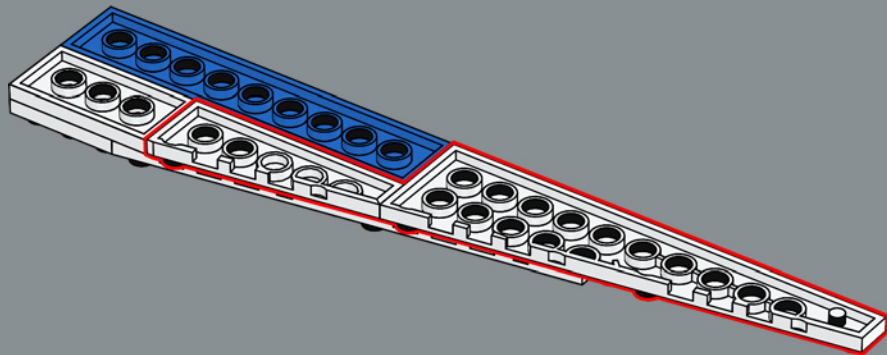


473

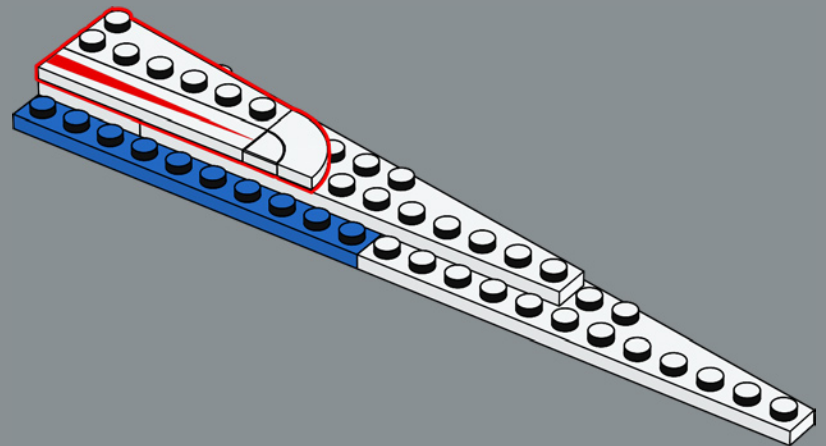


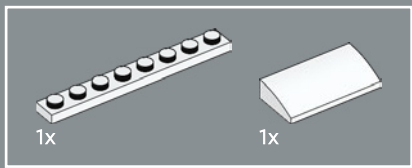


474

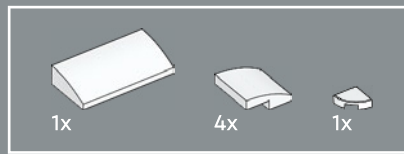
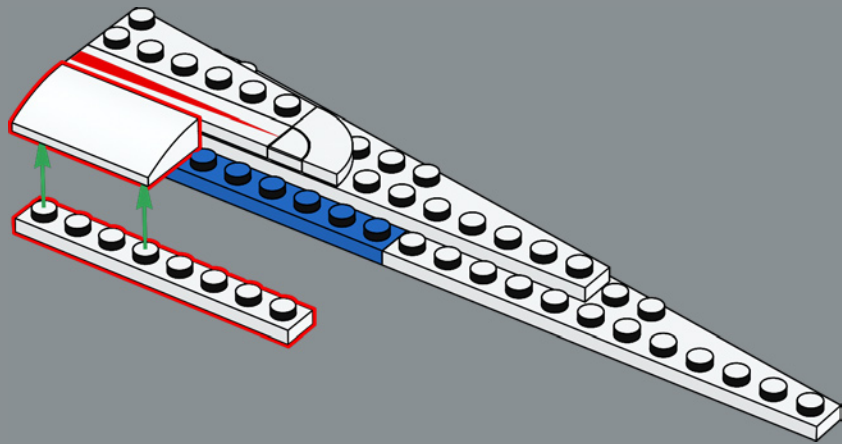


475

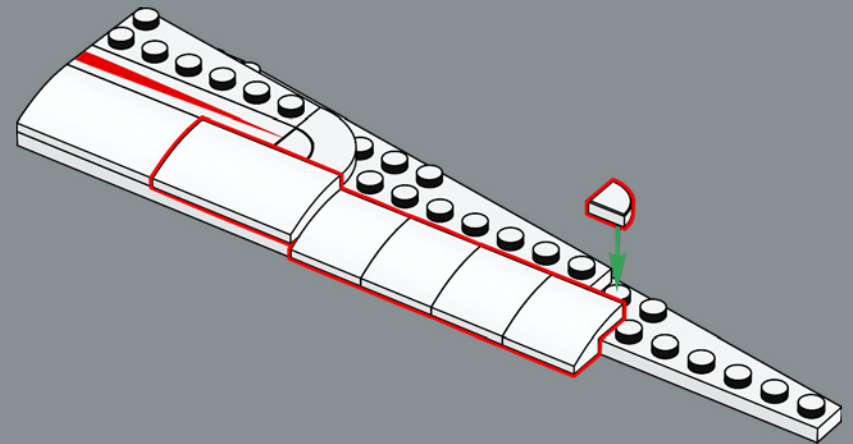




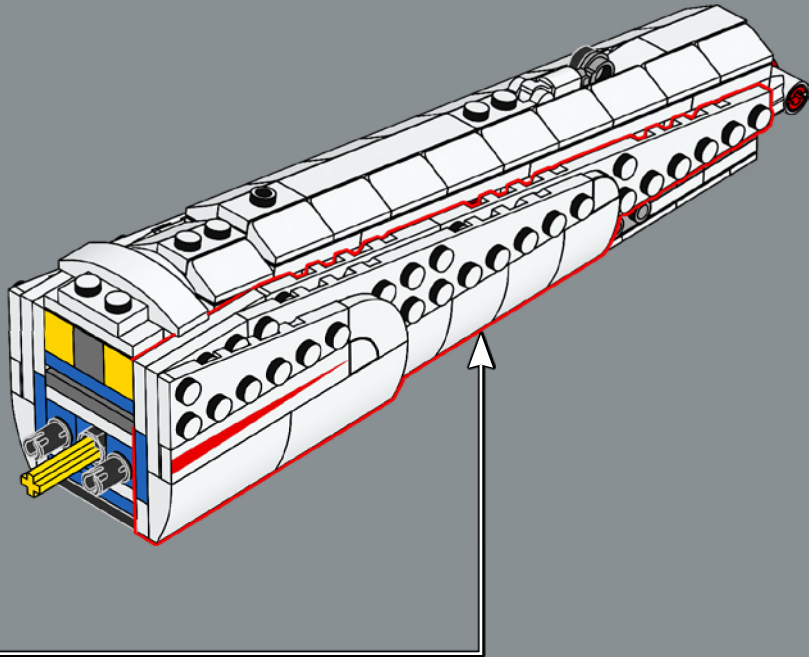
476



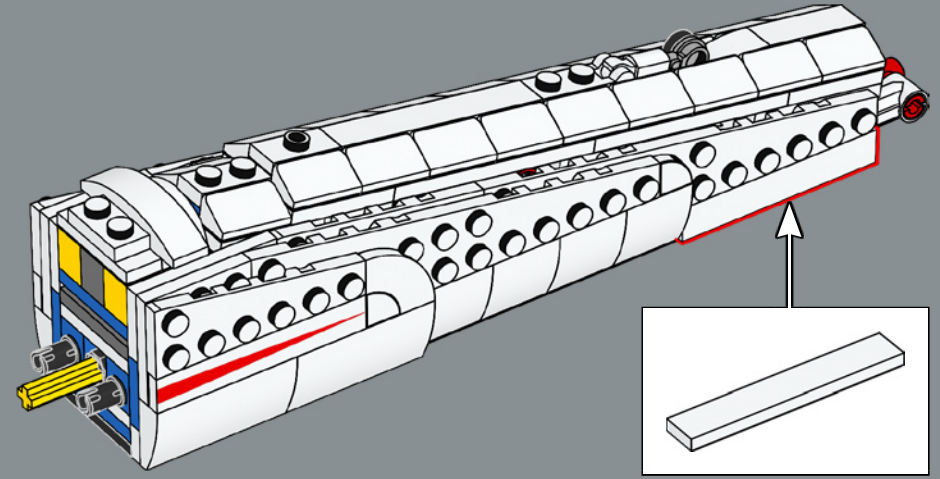
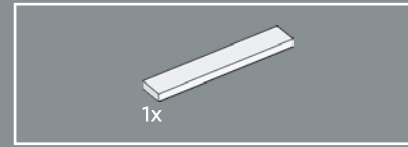
477

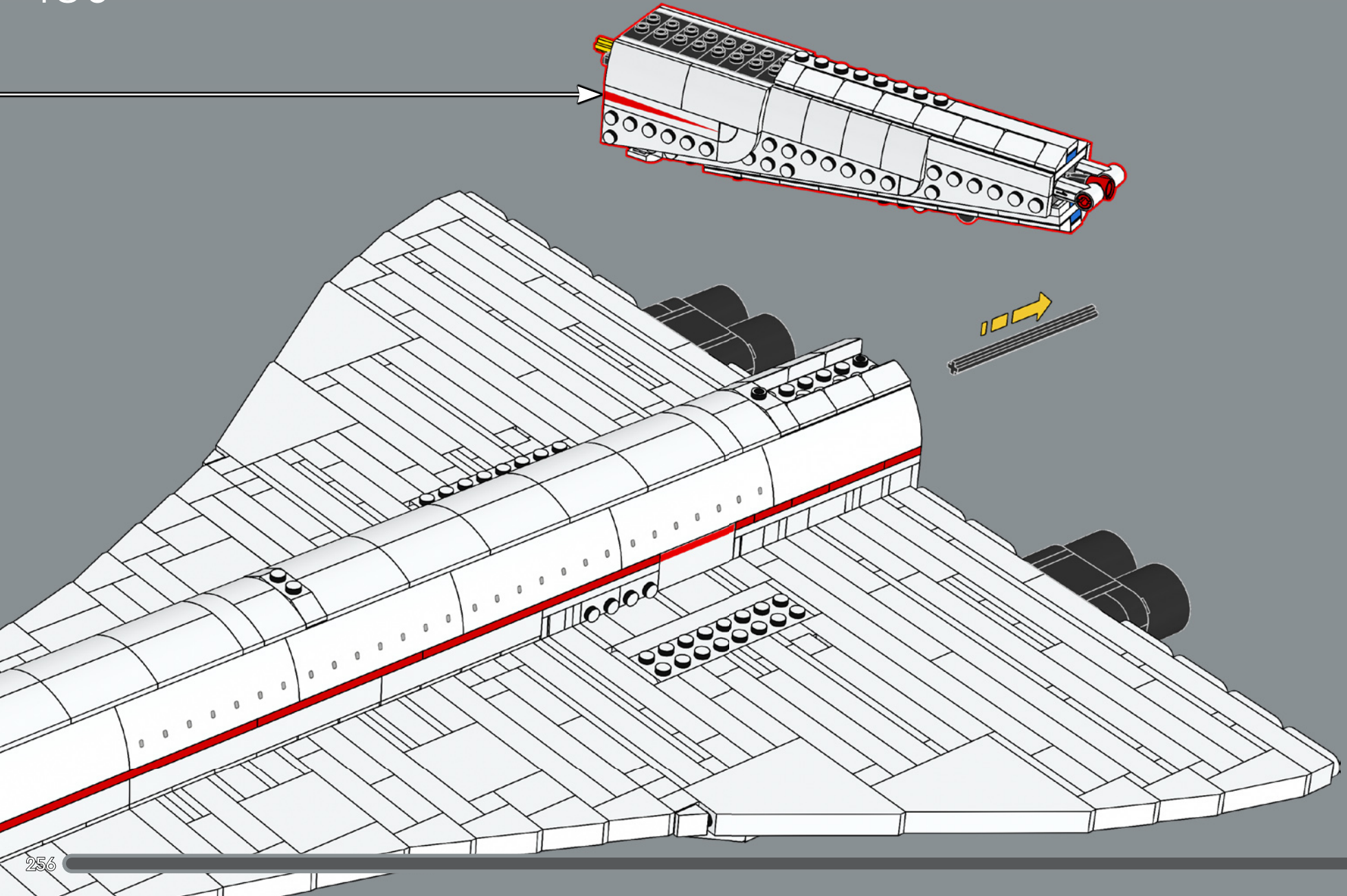


478

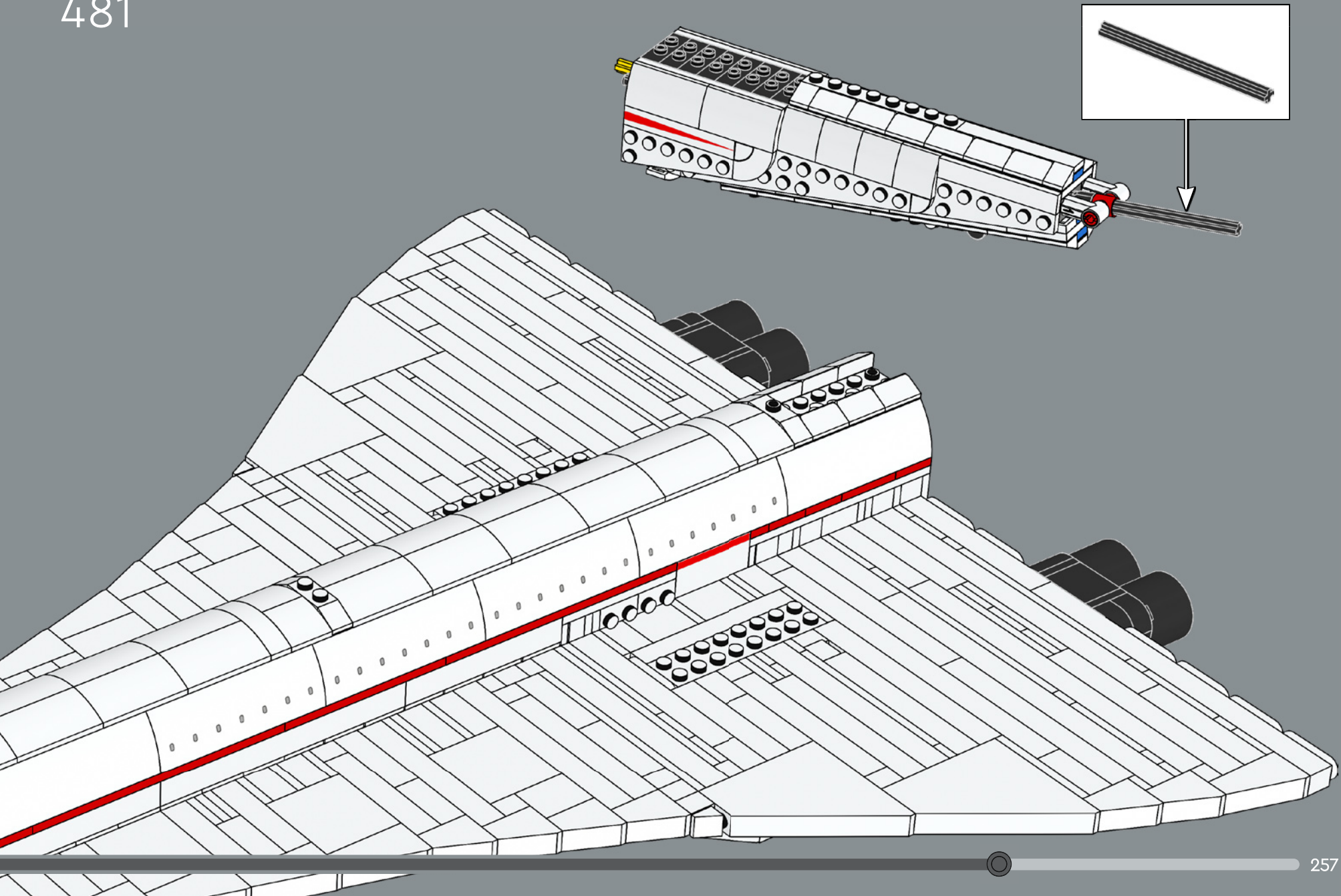


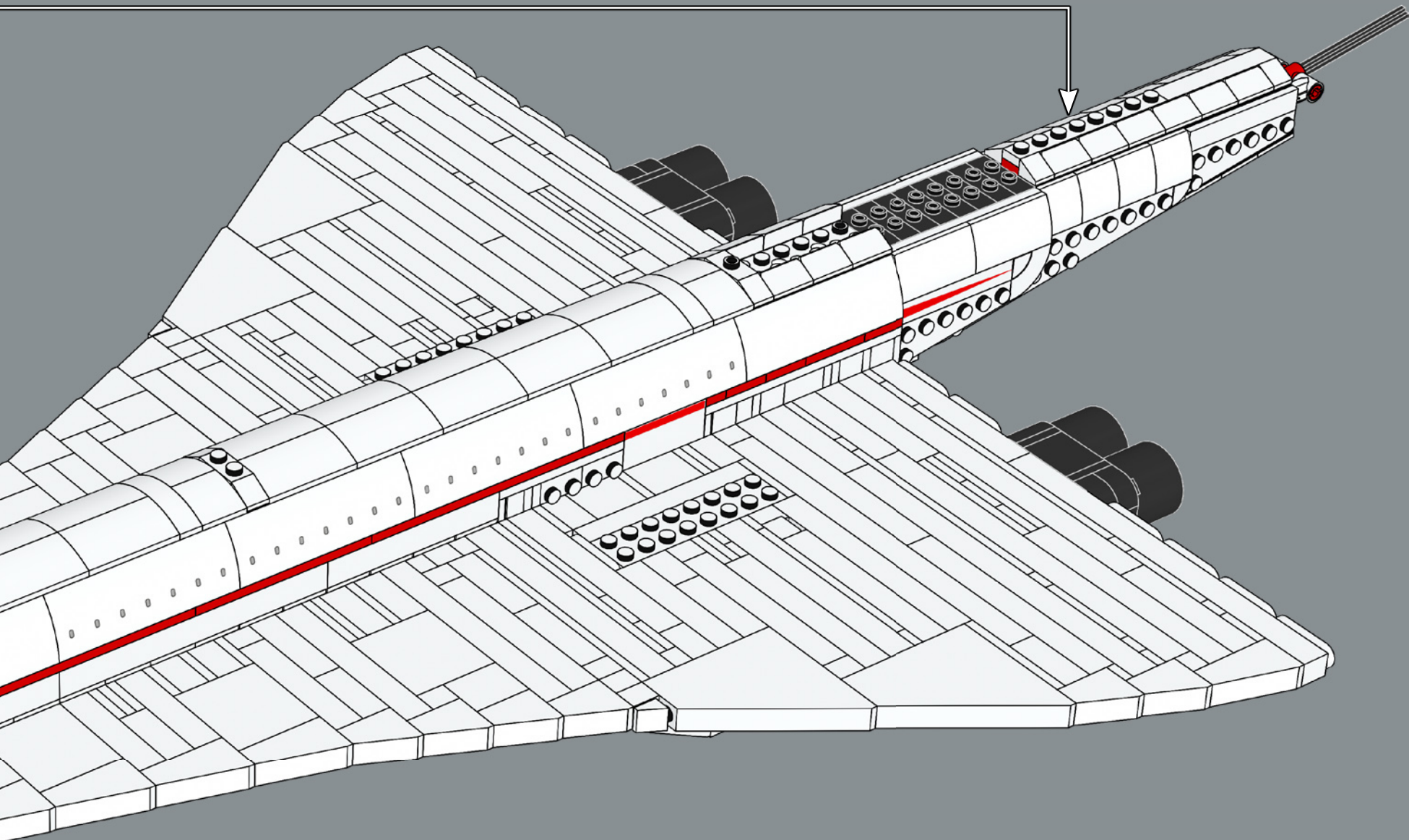
479

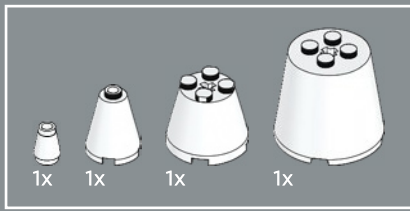




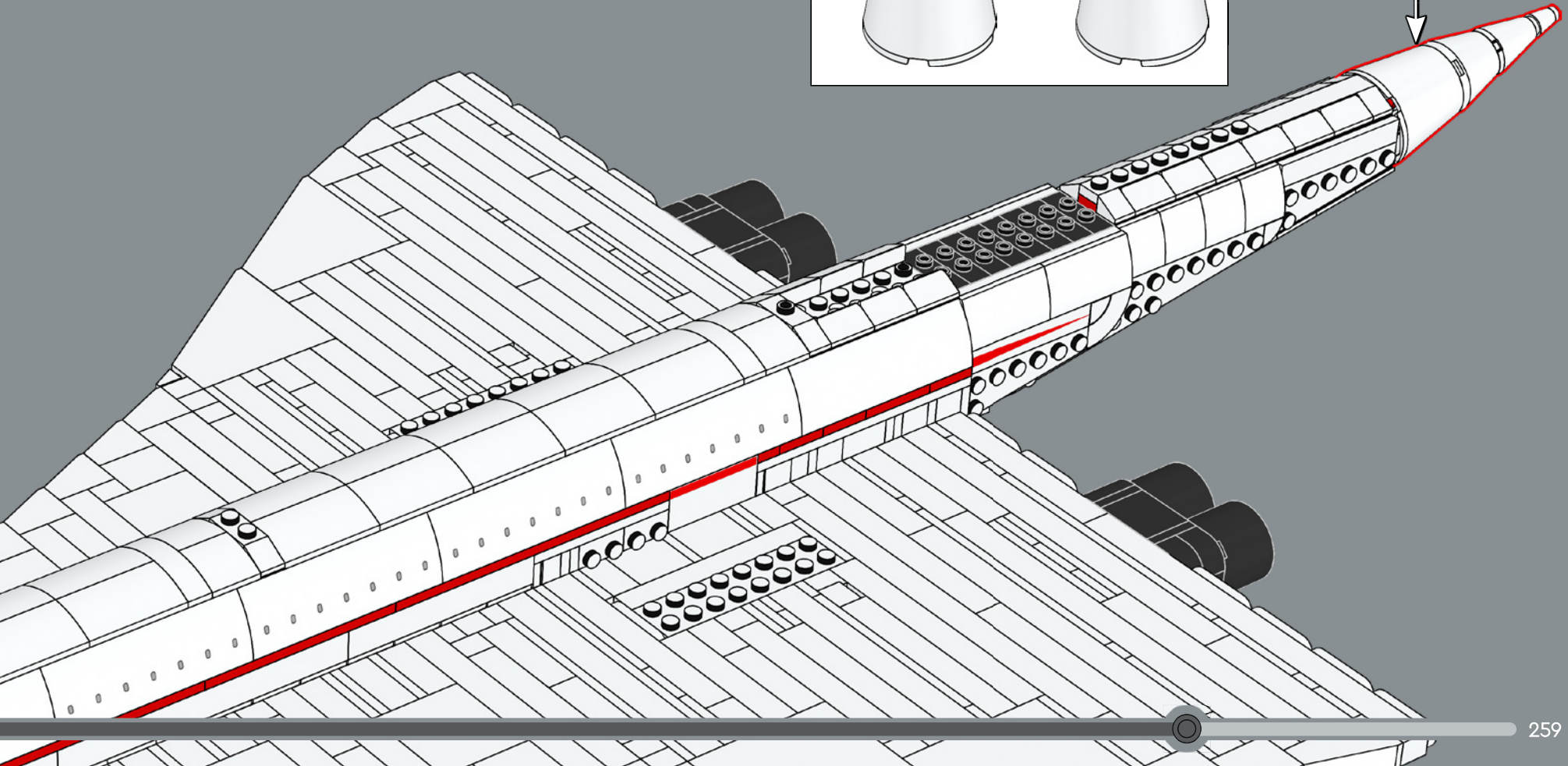
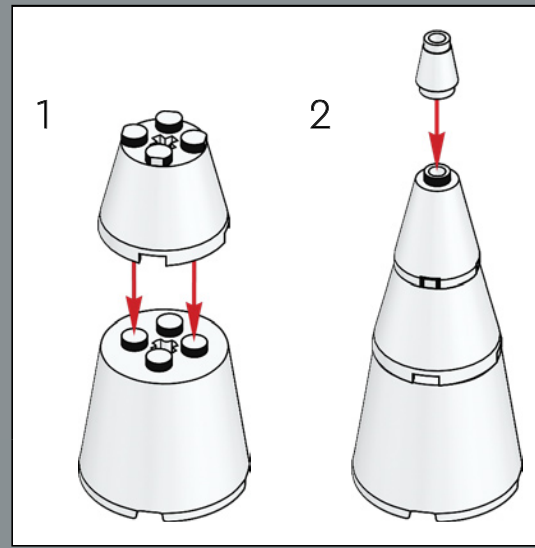
481

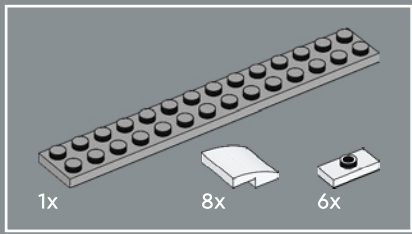




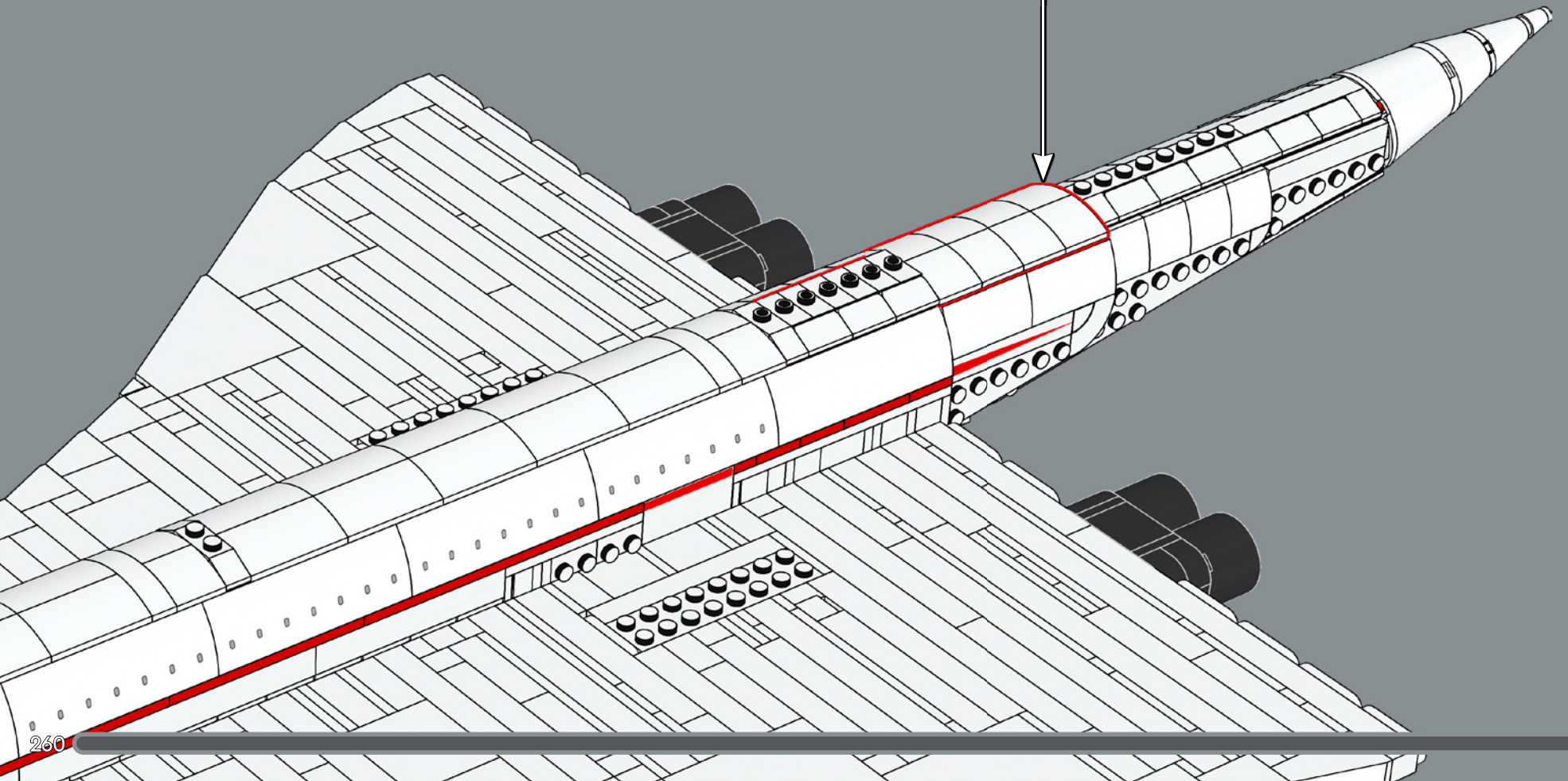
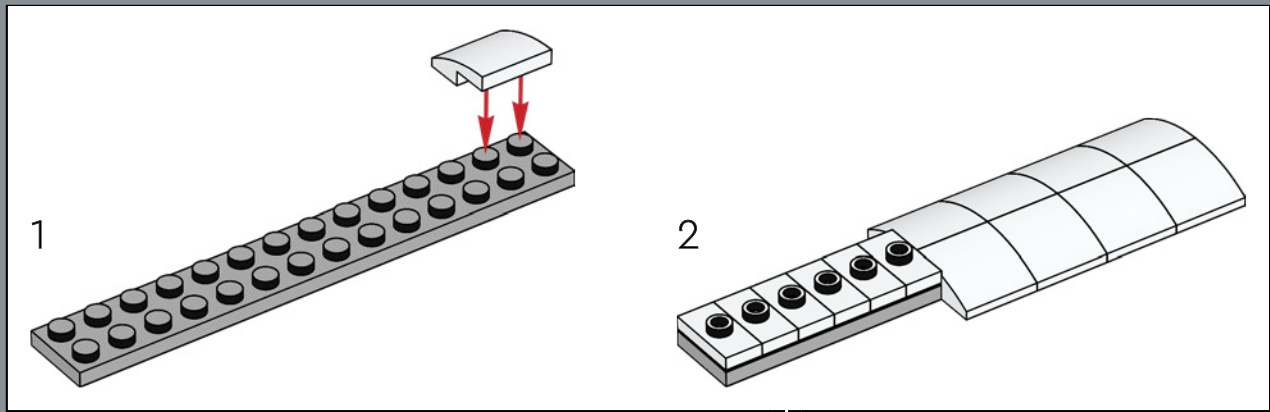


483



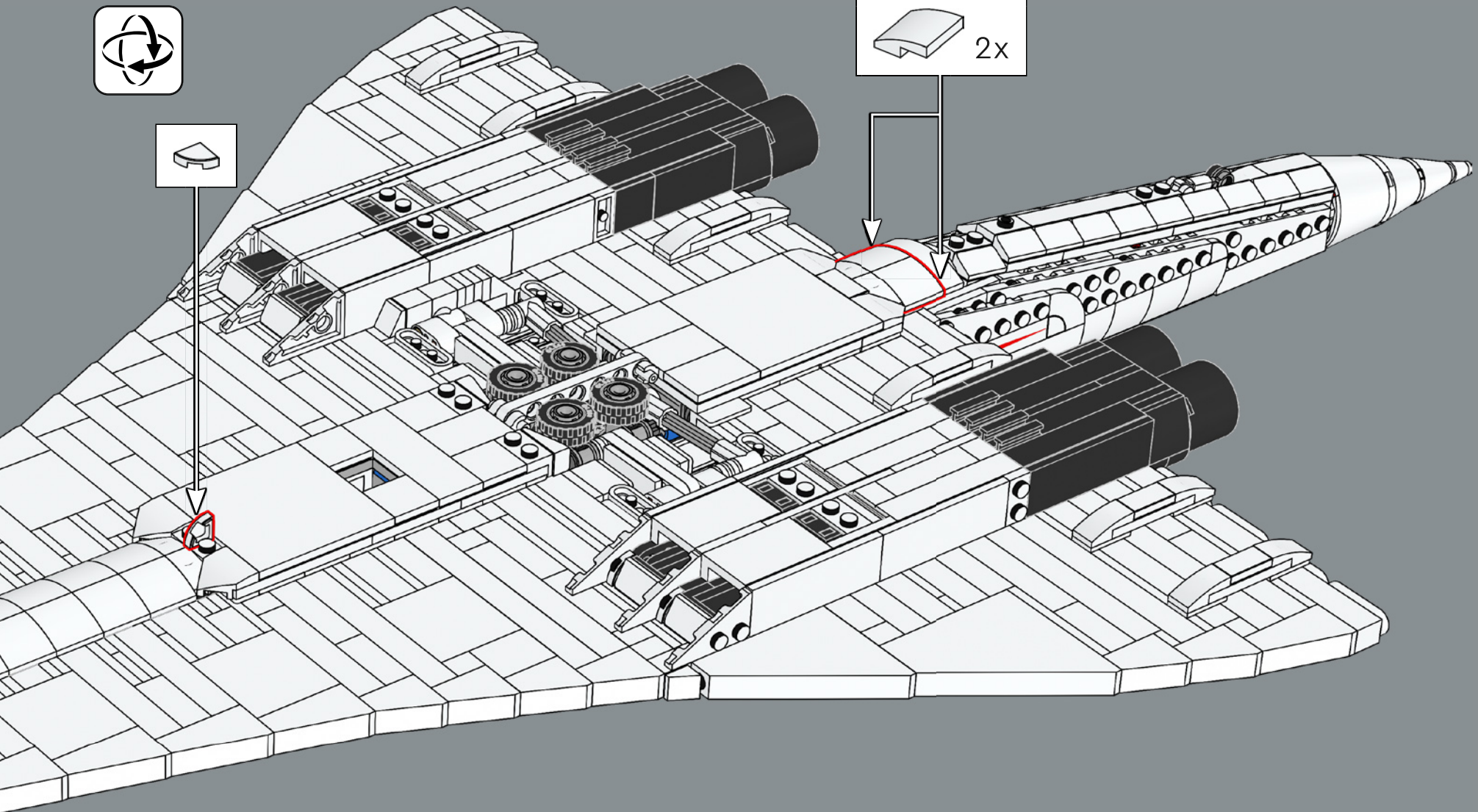
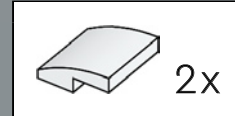


484

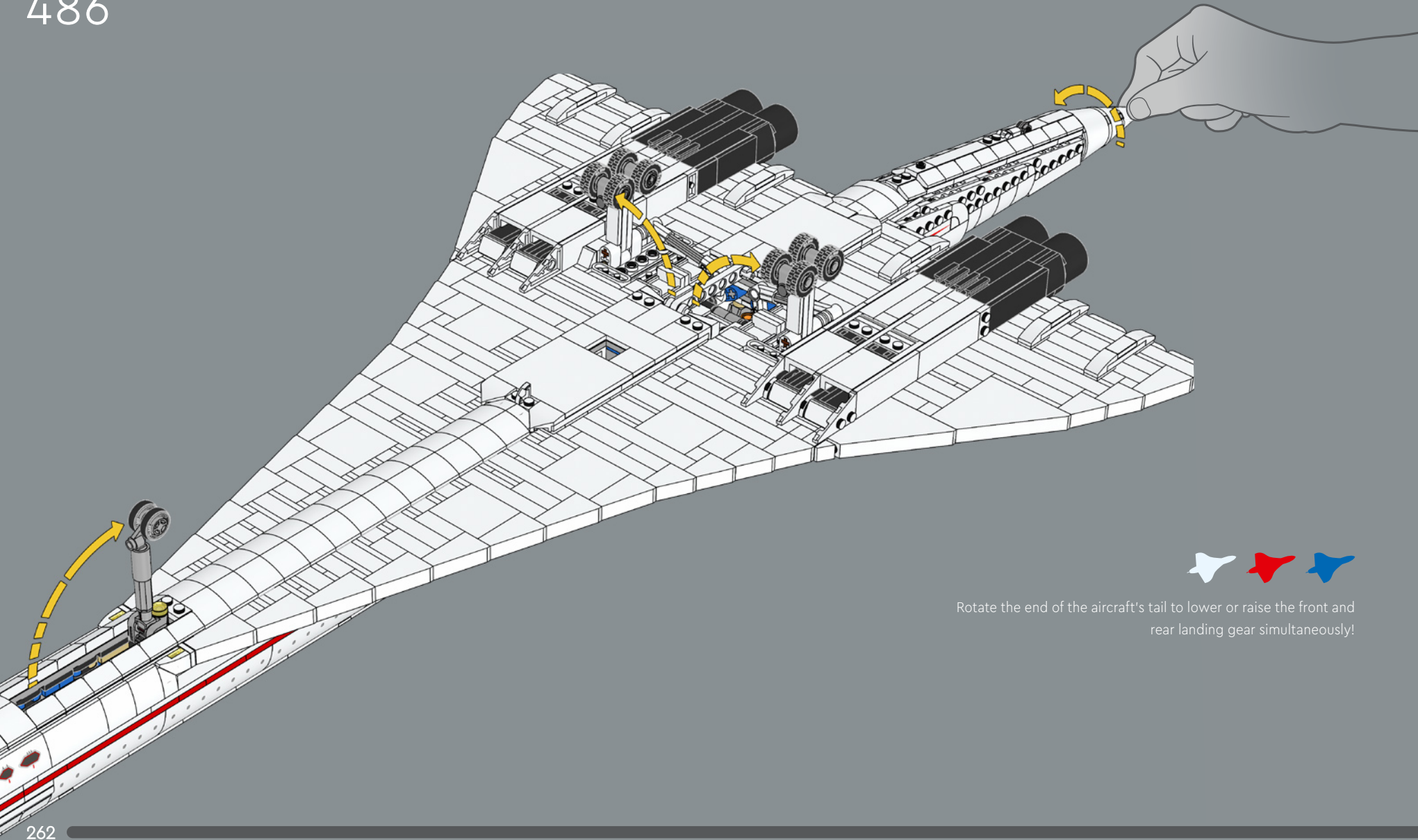




485



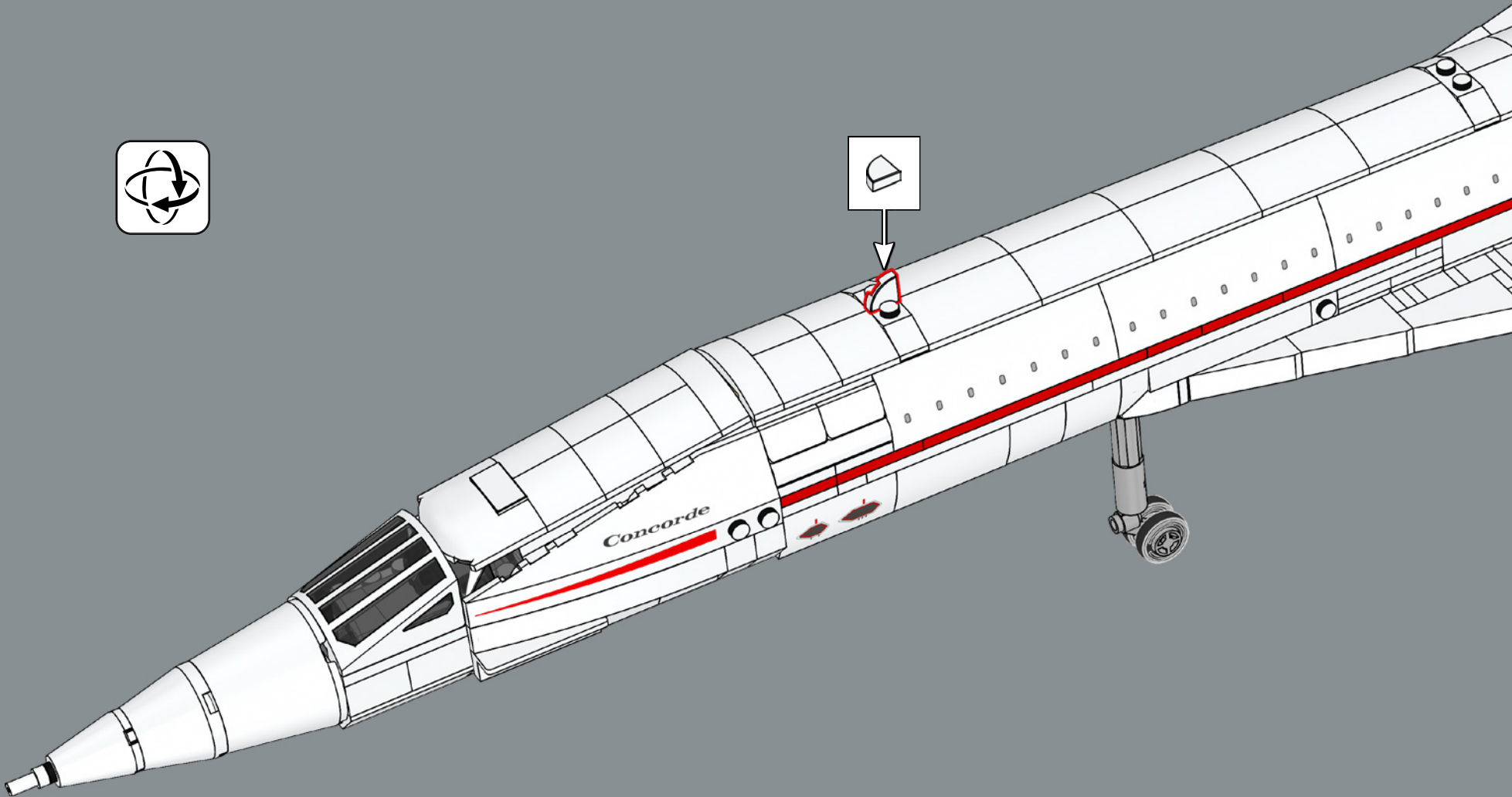
486



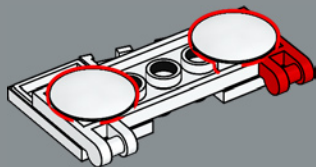
Rotate the end of the aircraft's tail to lower or raise the front and rear landing gear simultaneously!



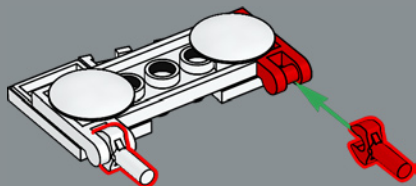
487



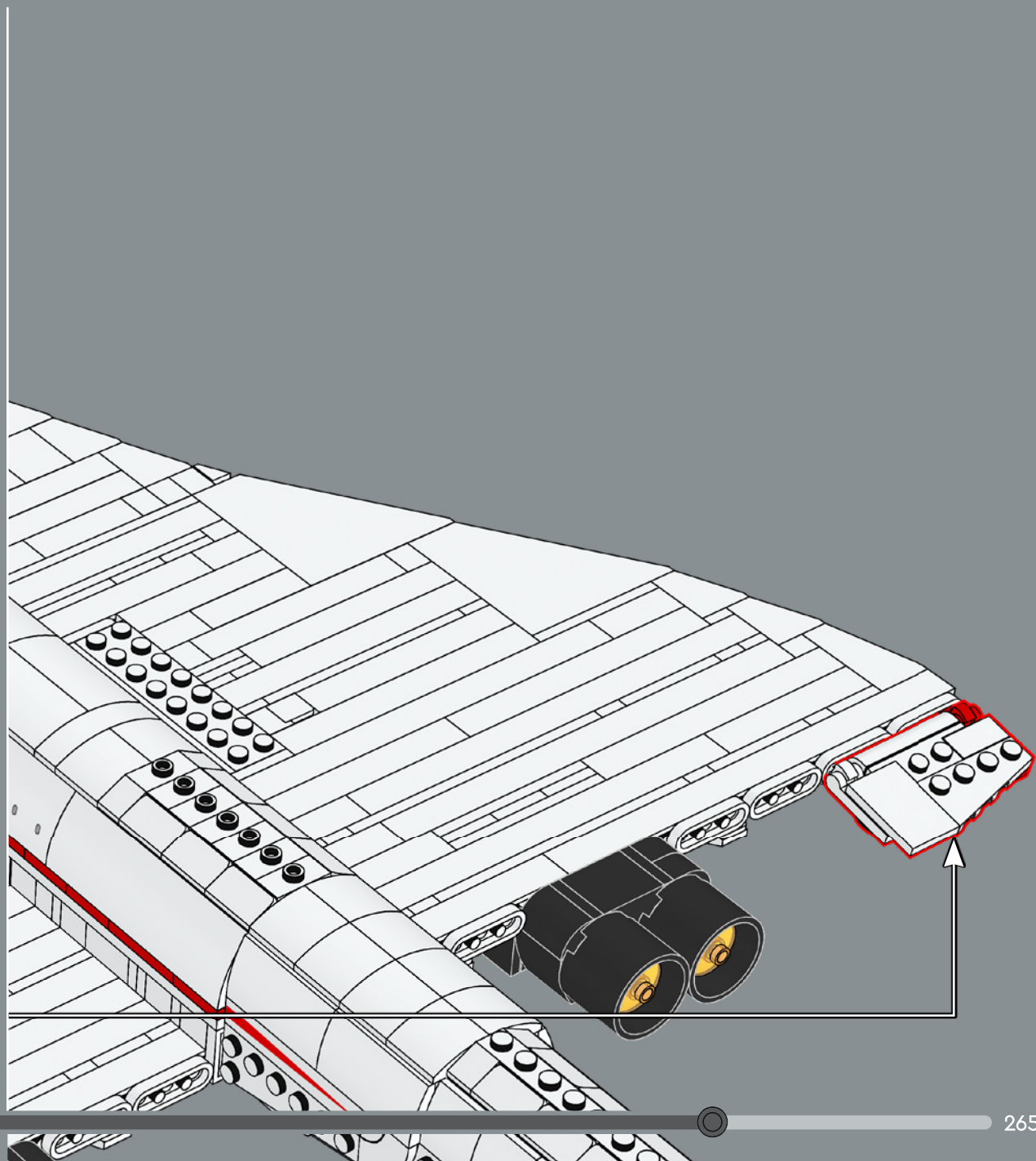
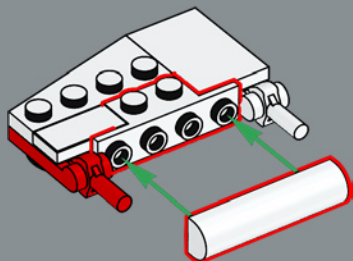
6

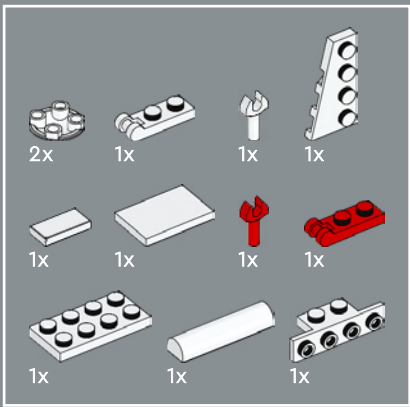


7



8



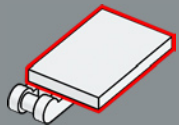


489

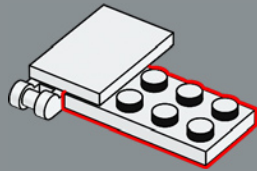
1



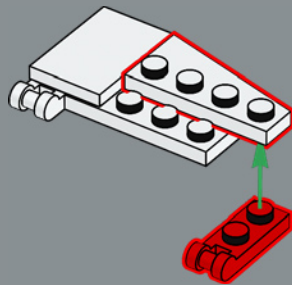
2



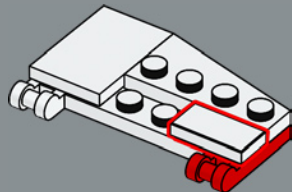
3



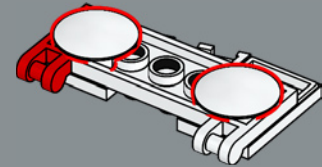
4



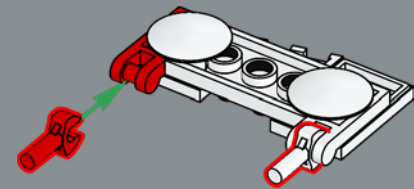
5



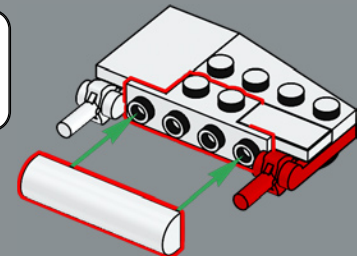
6

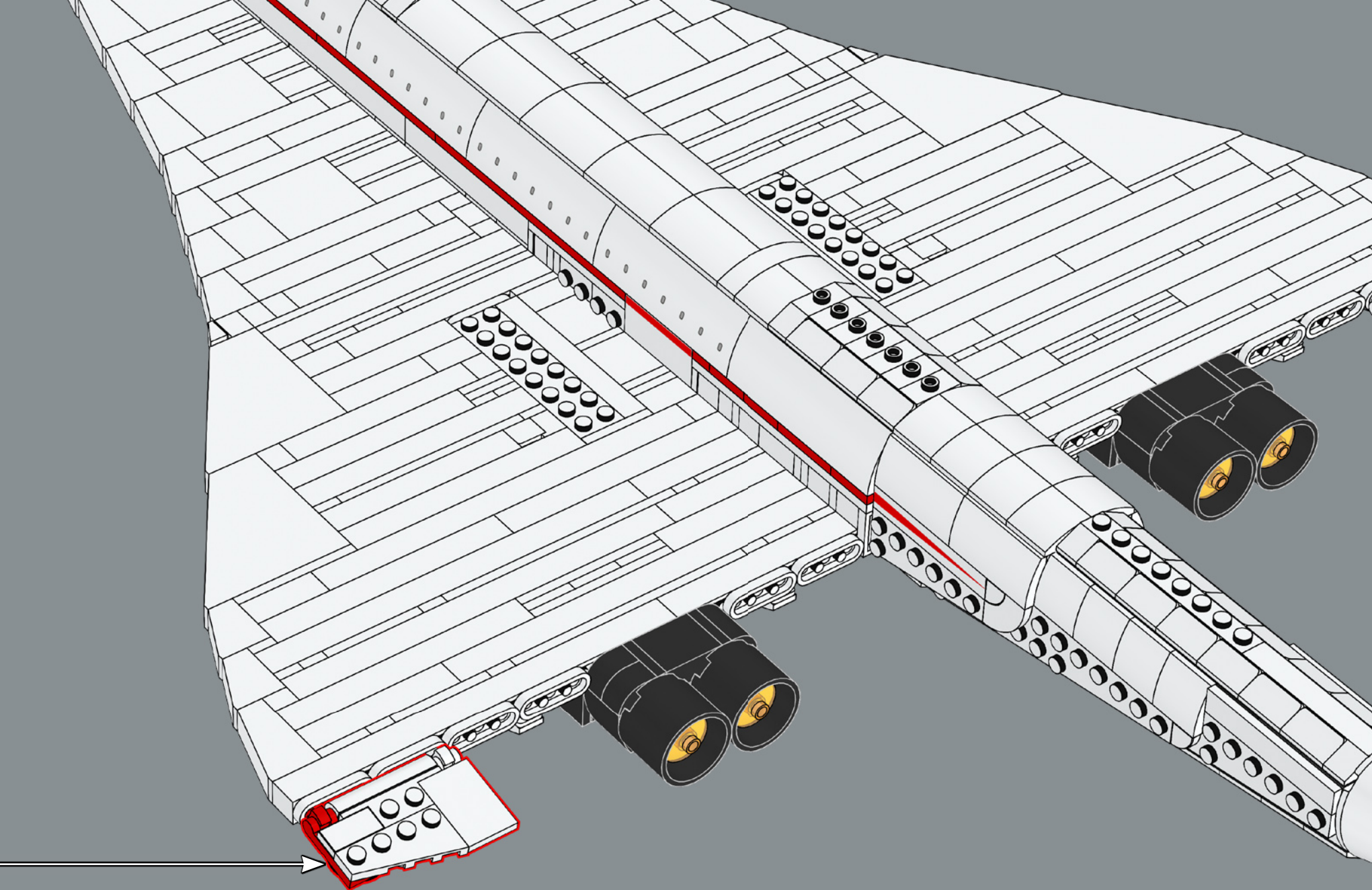


7



8







4x



8x



8x



8x



4x



4x



8x



4x



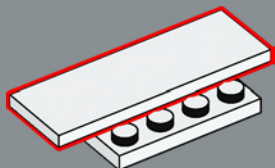
4x

490

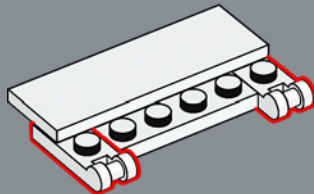
1



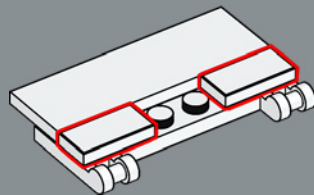
2



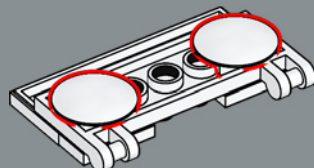
3



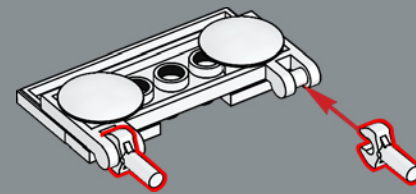
4



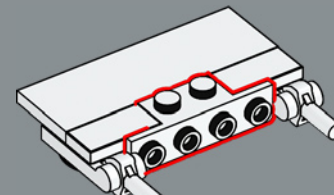
5



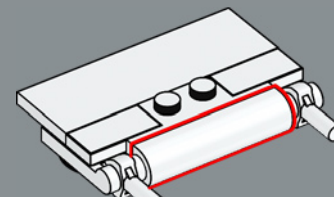
6



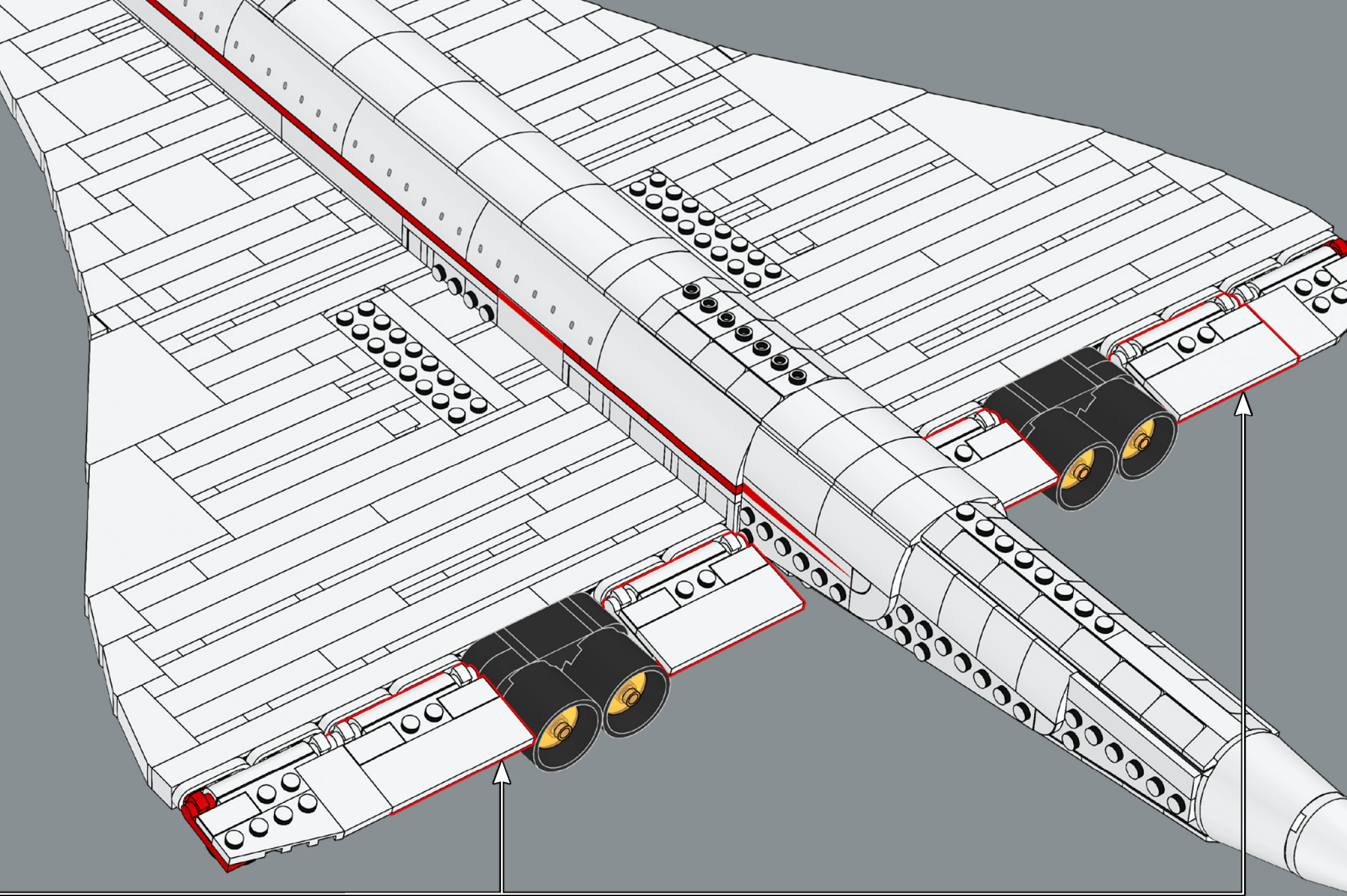
7

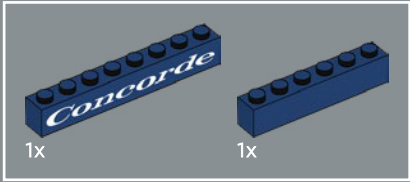
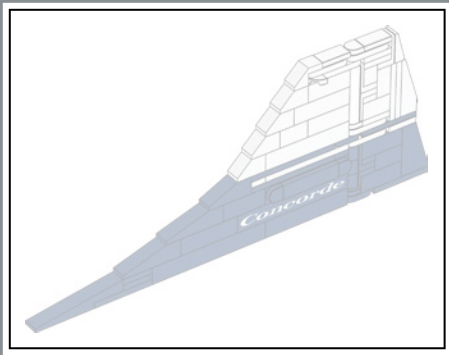


8

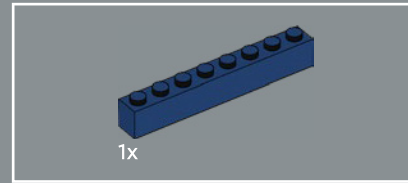
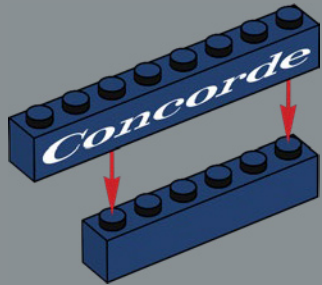


4x

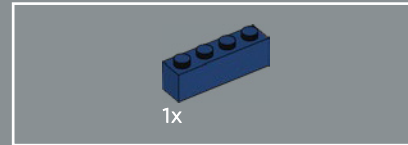
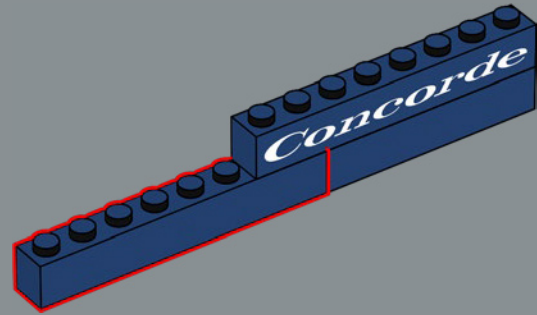




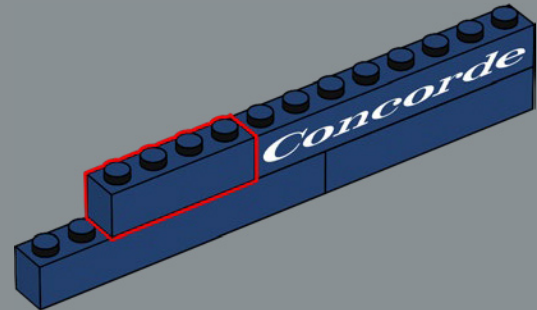
491

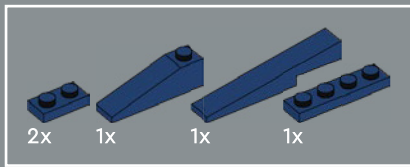


492

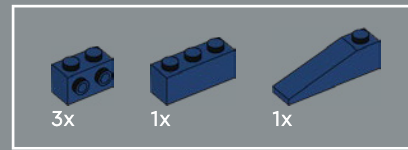
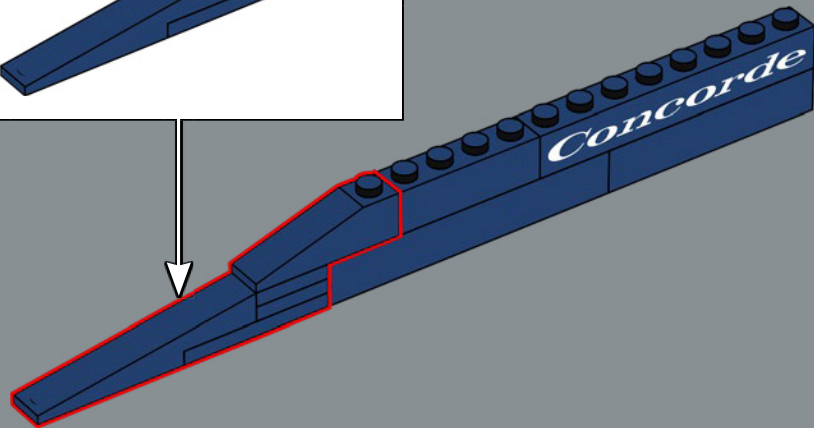
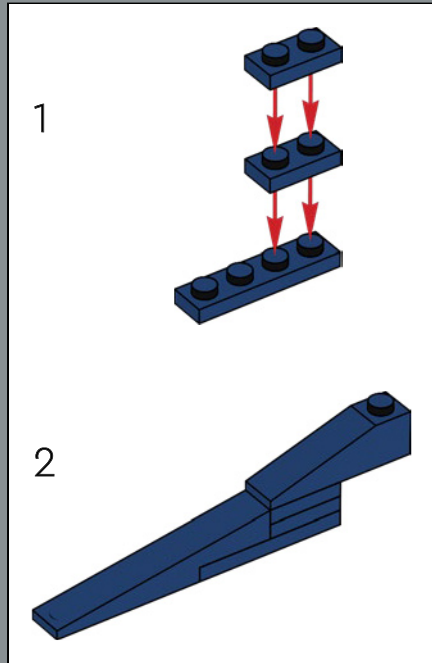


493

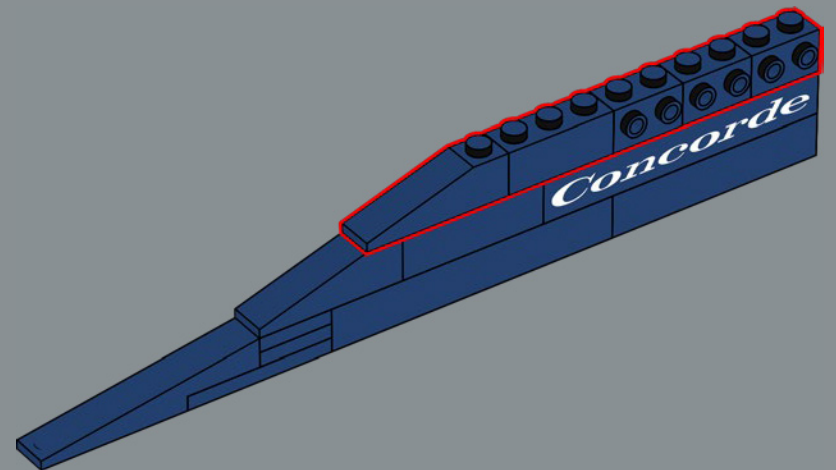


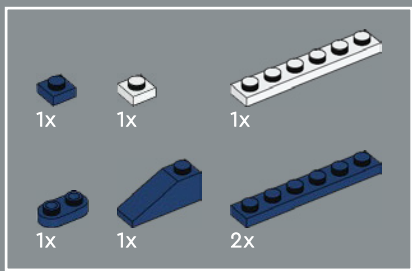


494

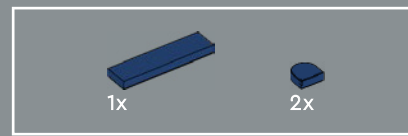
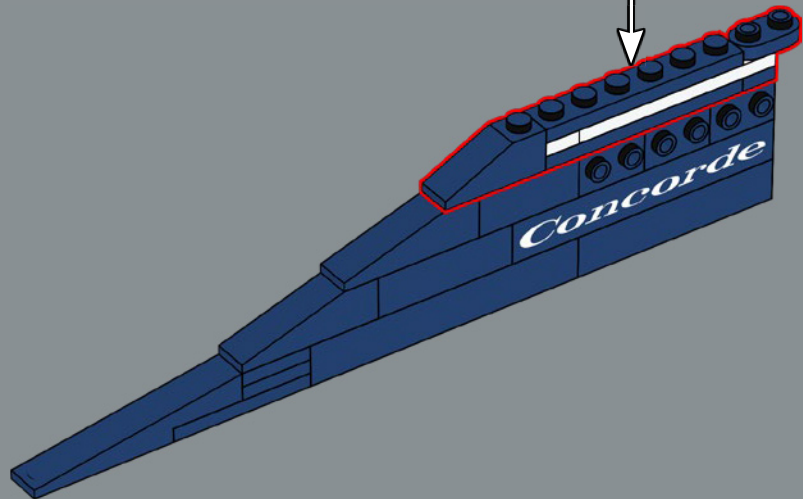
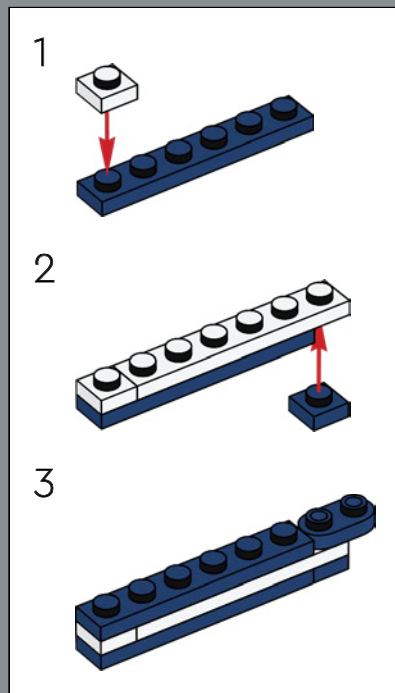


495

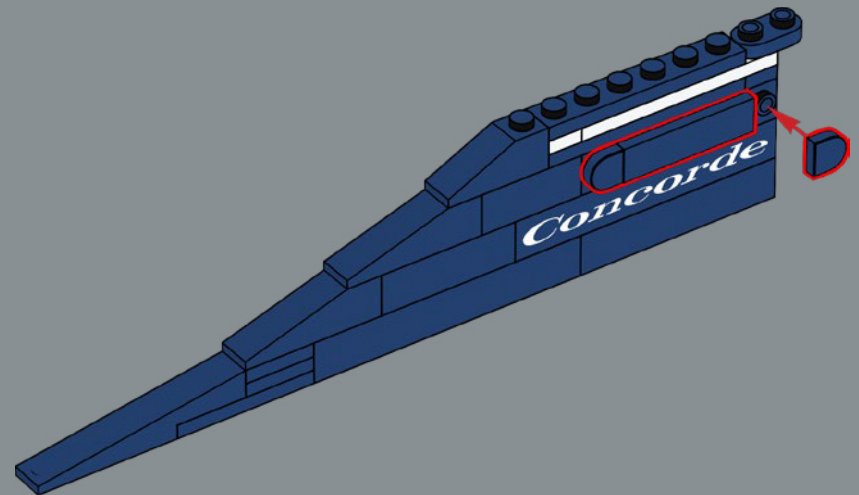


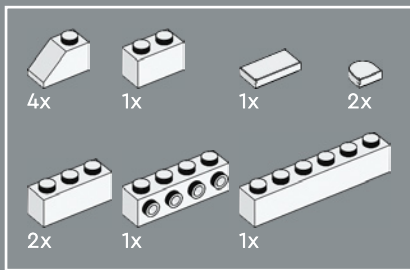


496



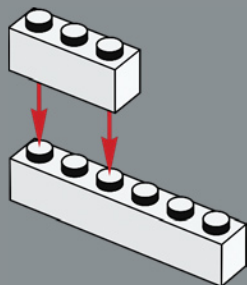
497



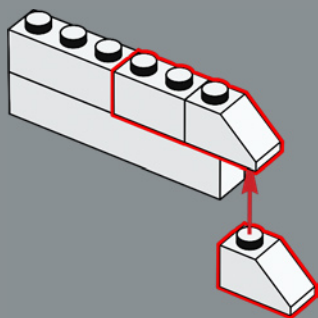


498

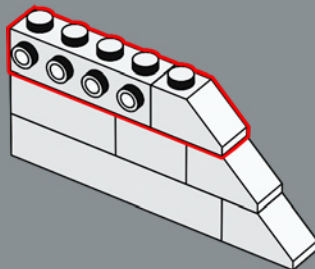
1



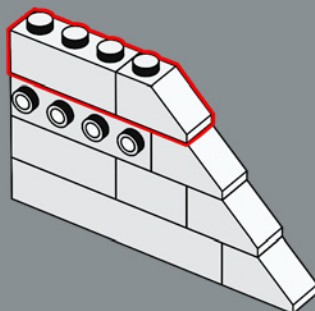
2



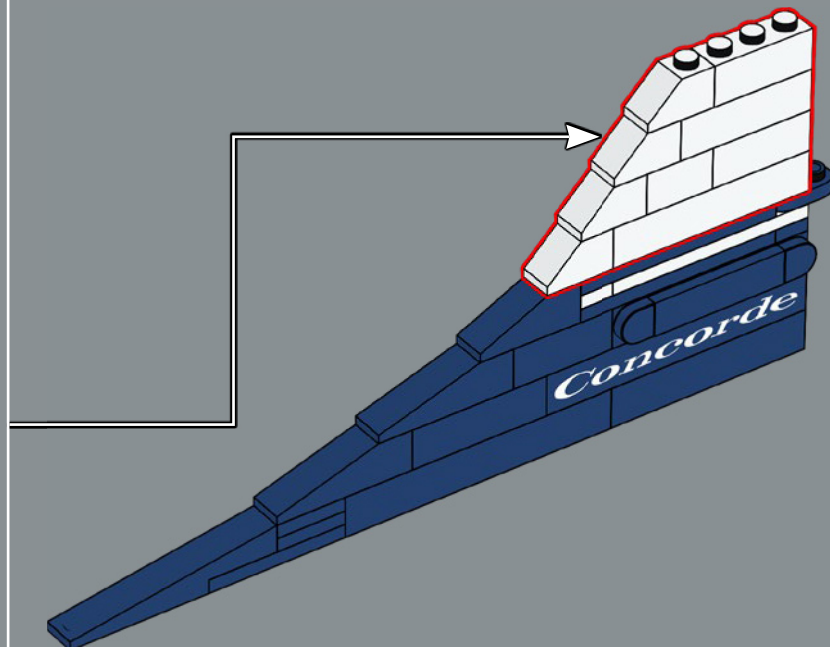
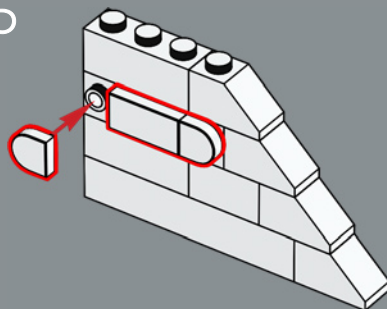
3

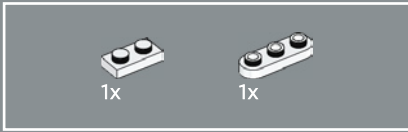
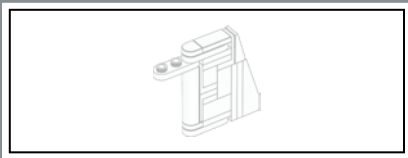


4

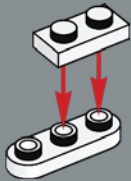


5

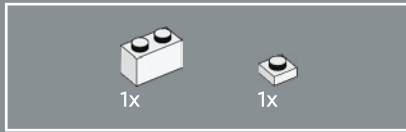




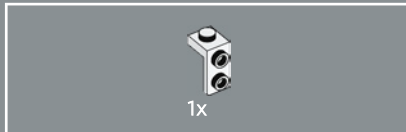
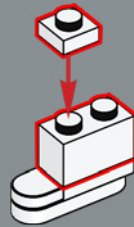
499



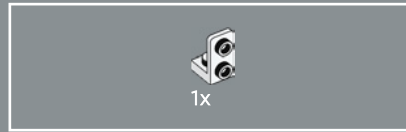
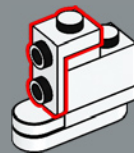
500



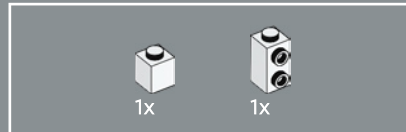
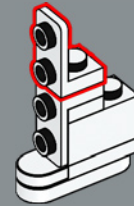
501



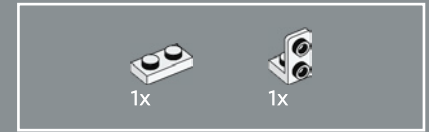
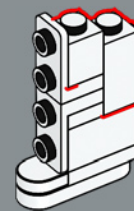
502



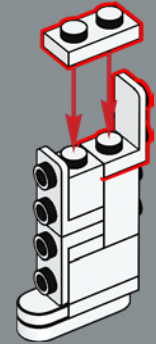
503



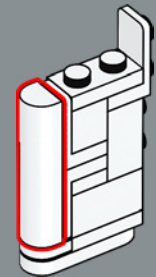
504

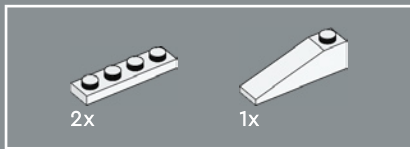


505

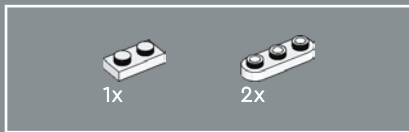
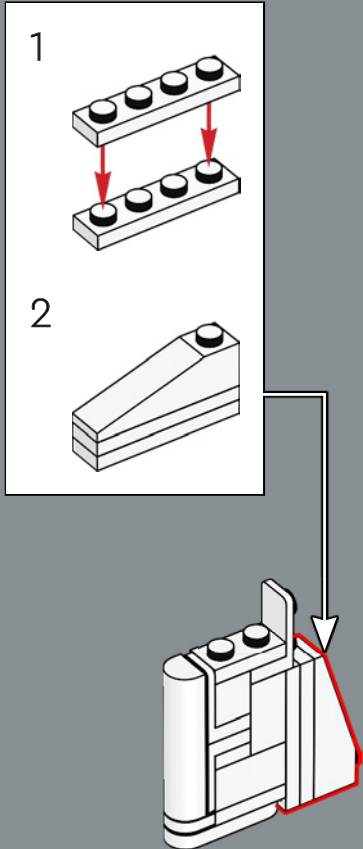


506

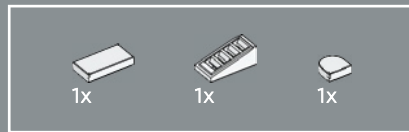
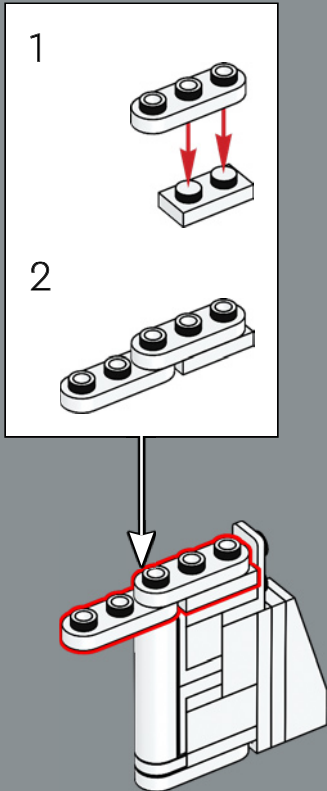




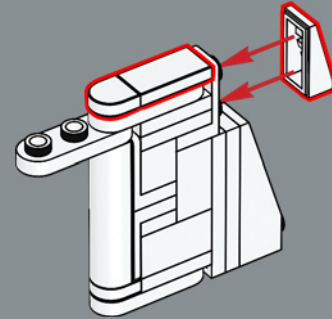
507



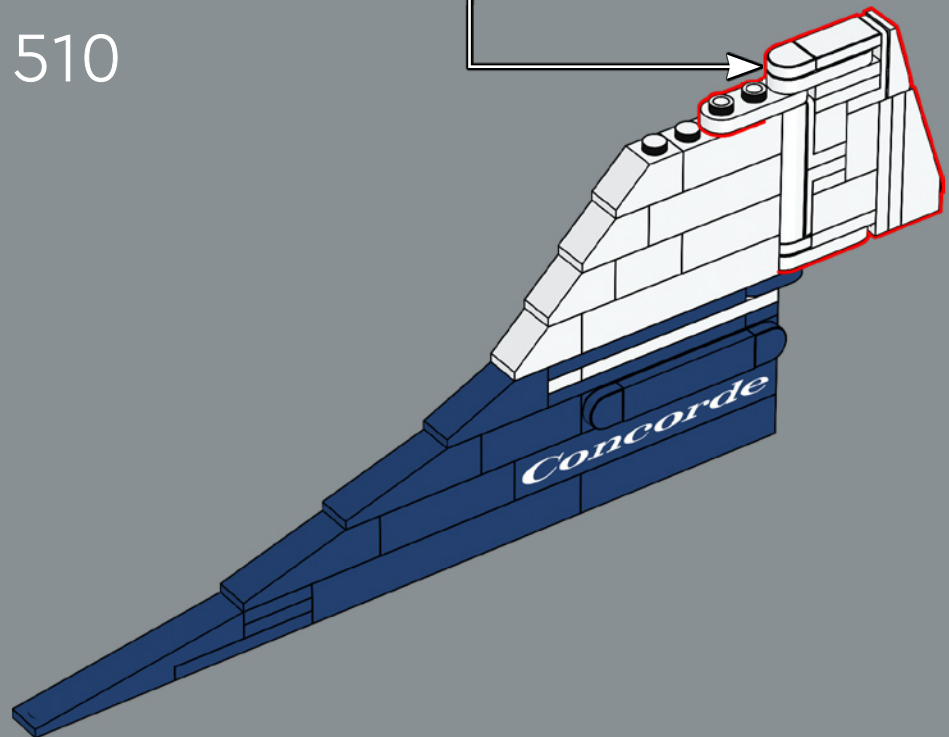
508

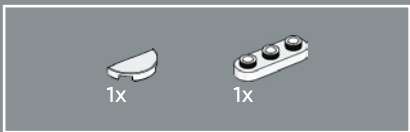


509

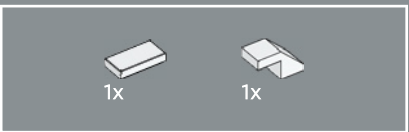
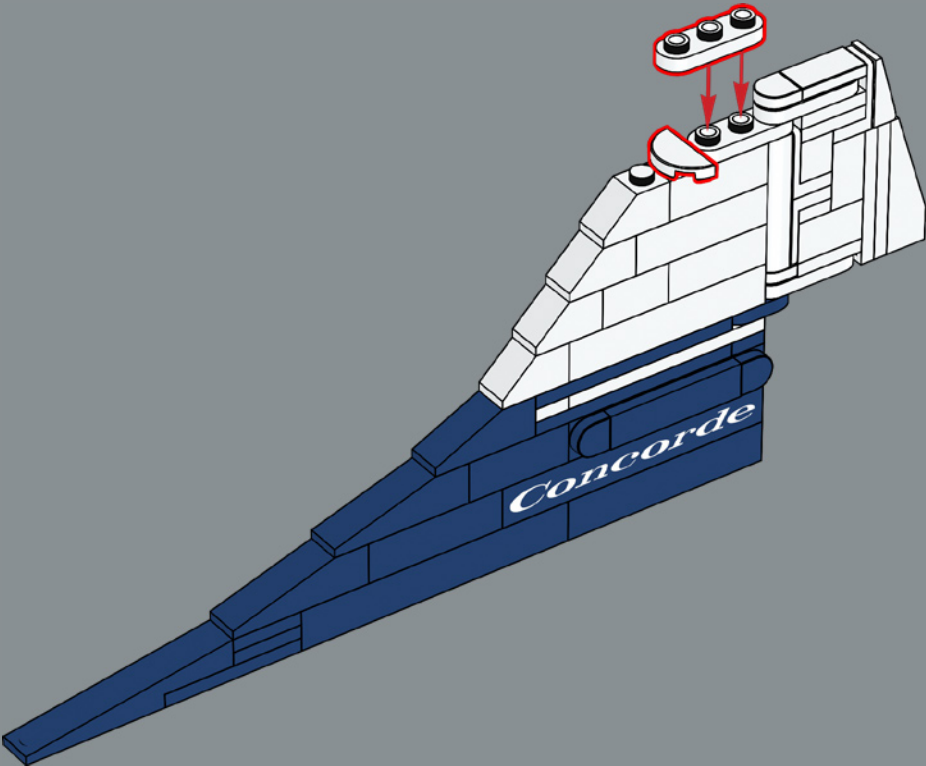


510





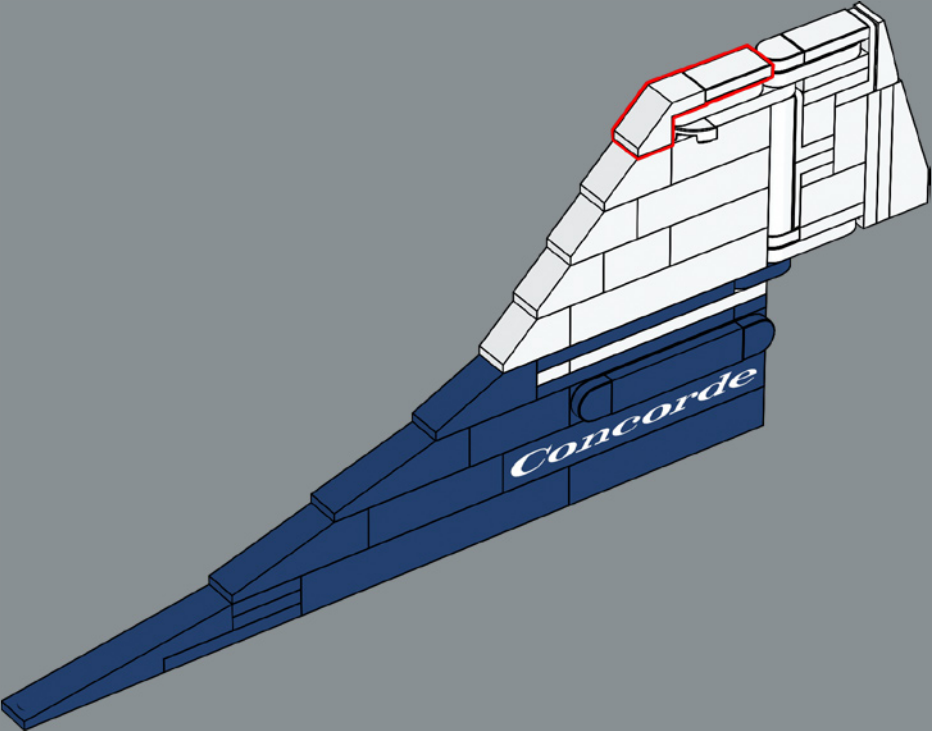
511

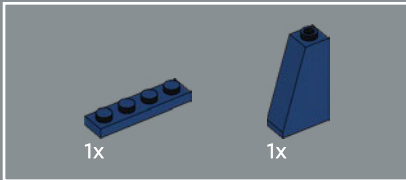
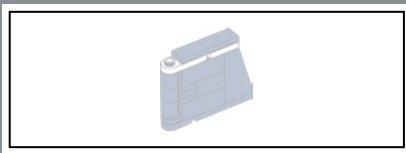


512

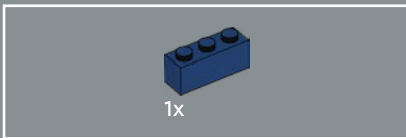
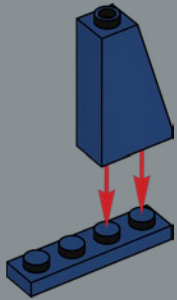


Concorde featured a split rudder, with only the lower portion being used at high speeds to allow for finer adjustment and reduced torsion on the vertical stabiliser.

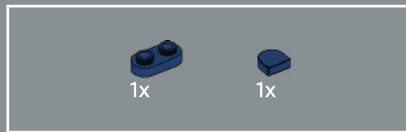
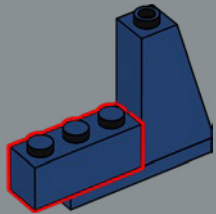




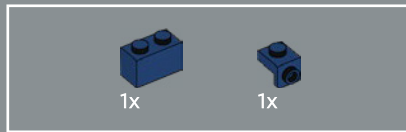
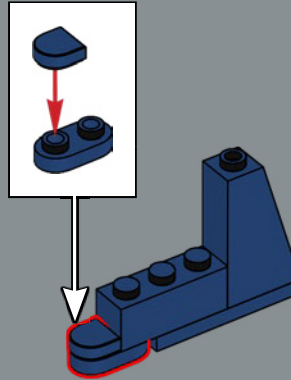
513



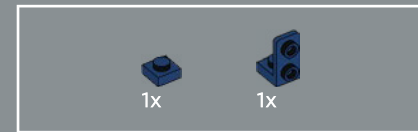
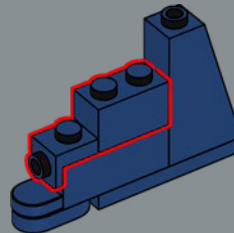
514



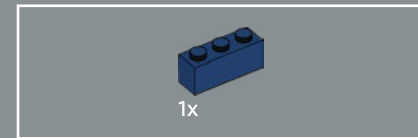
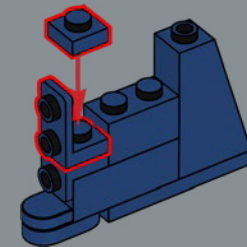
515



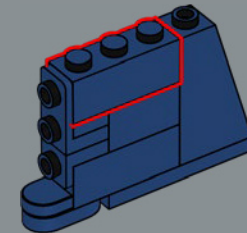
516



517

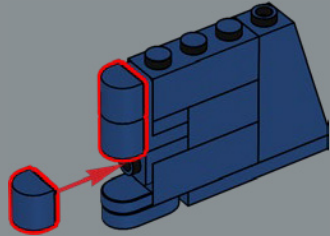


518



3x

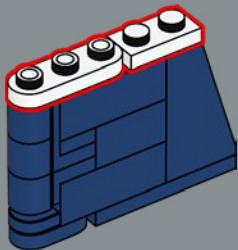
519



1x

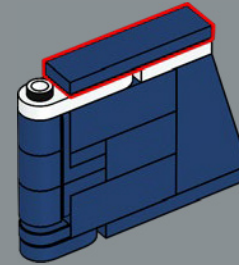
1x

520

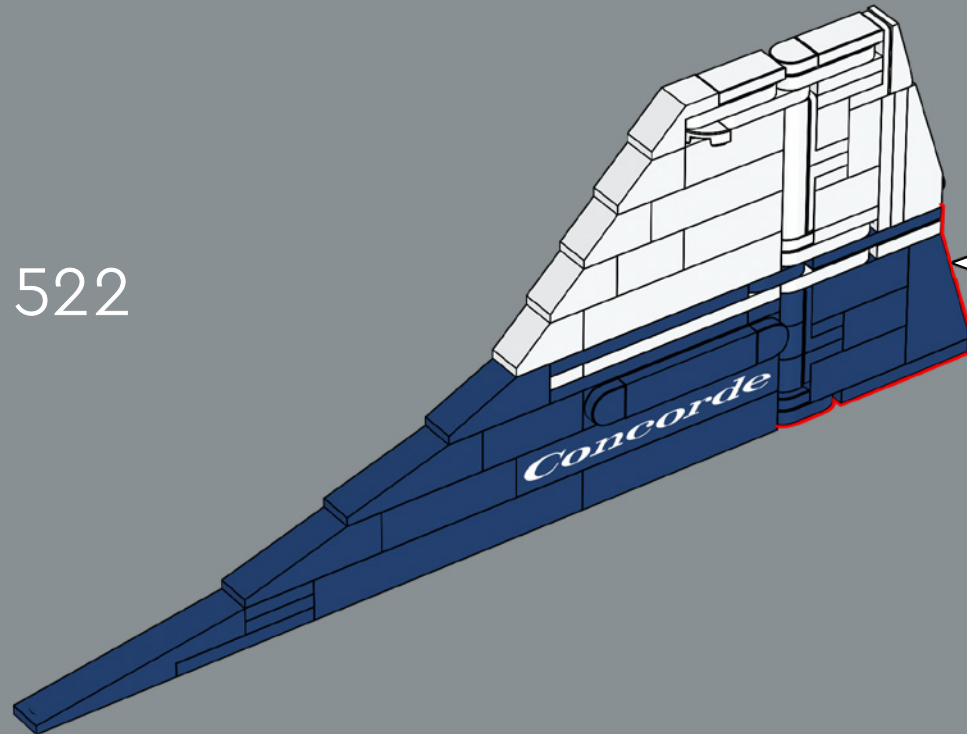


1x

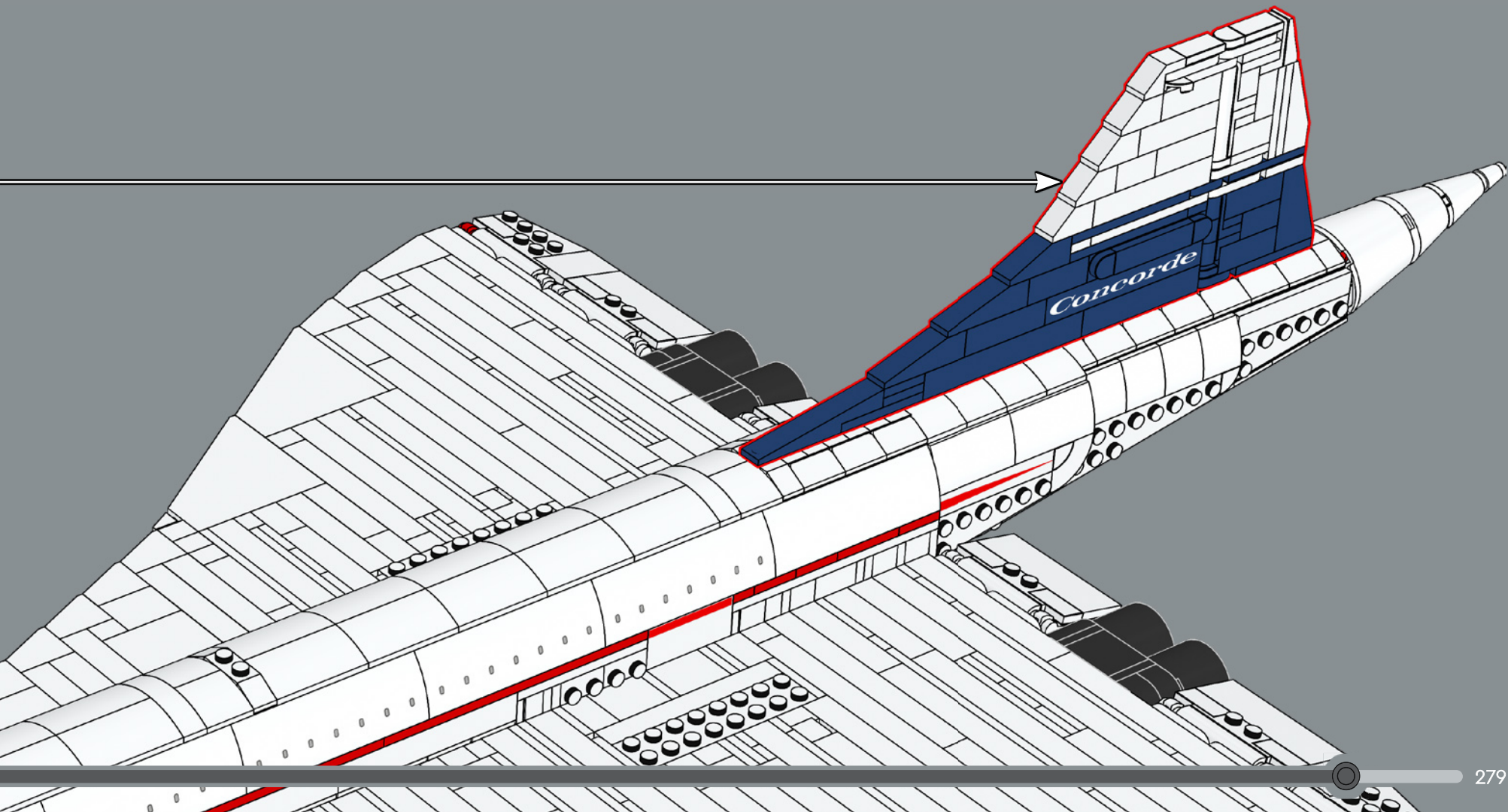
521

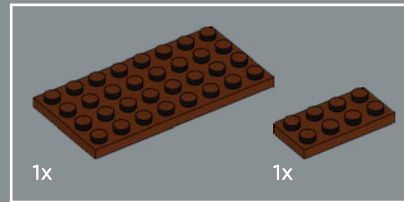
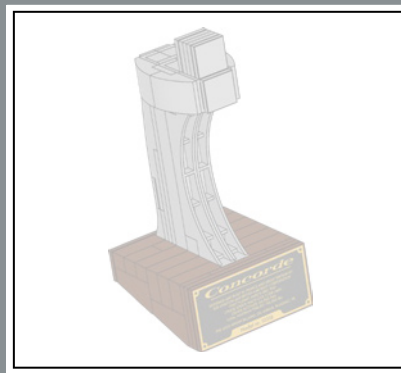


522

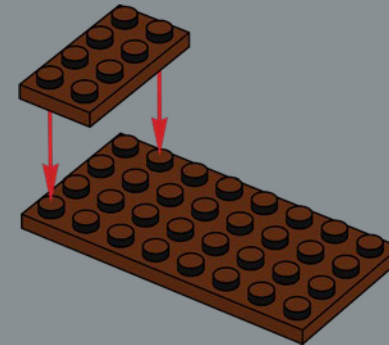


523

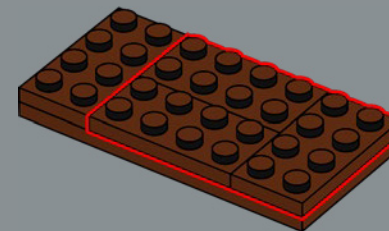


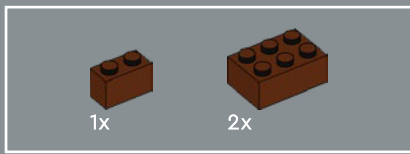


524

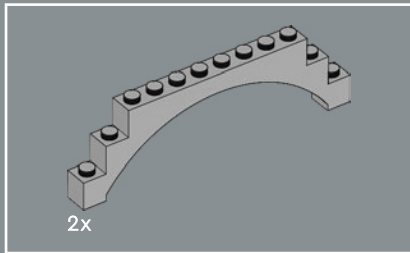
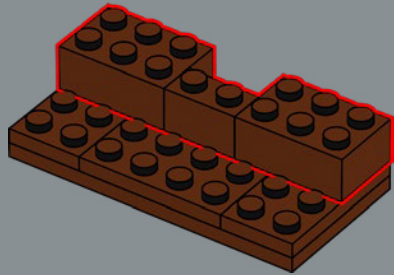


525

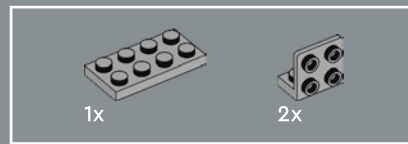
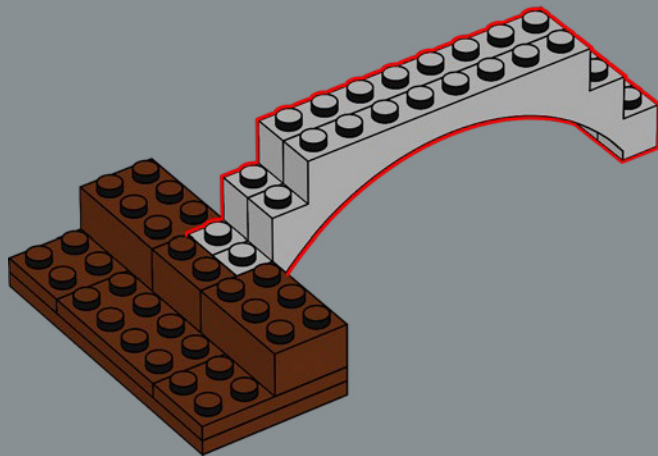




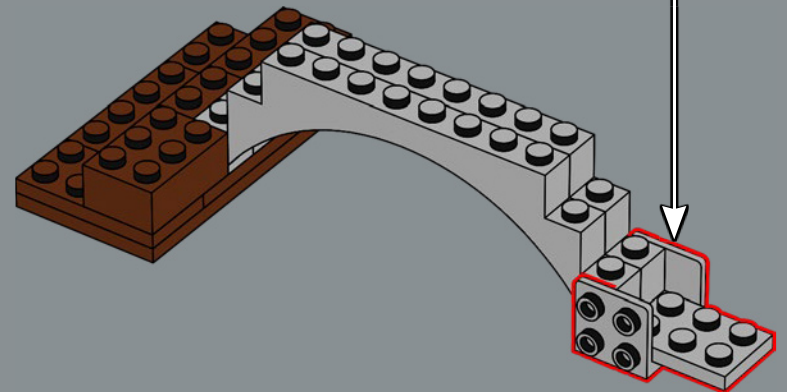
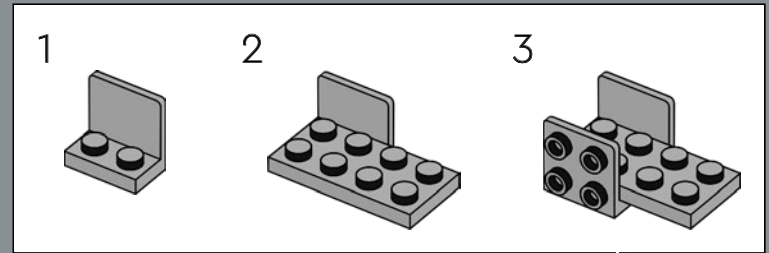
526

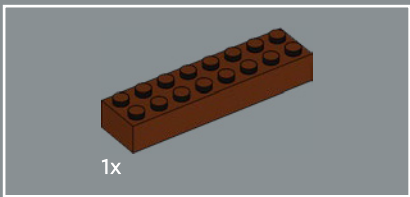


527

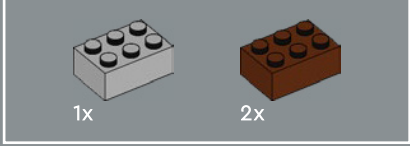
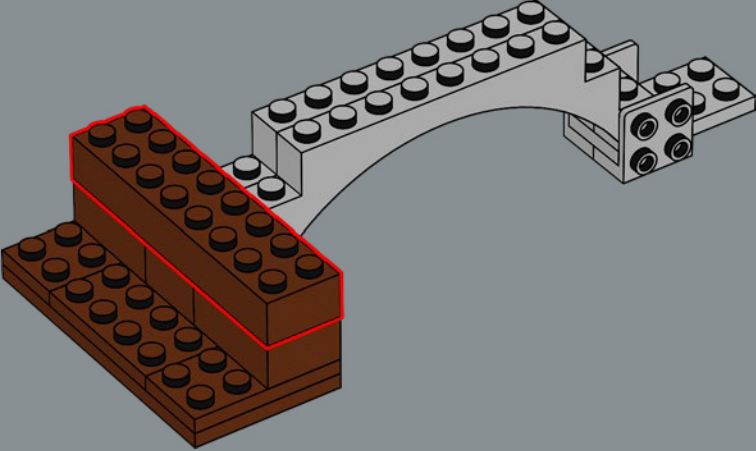


528

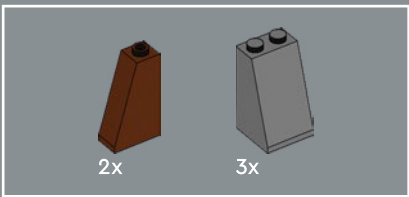
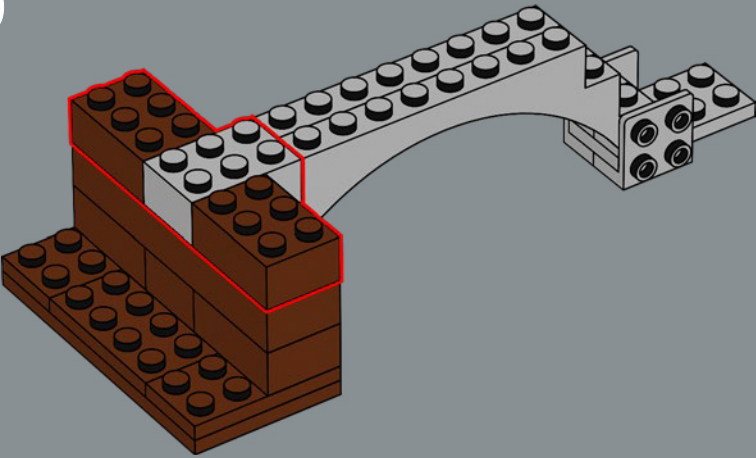




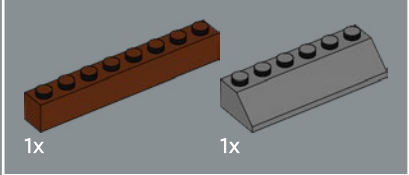
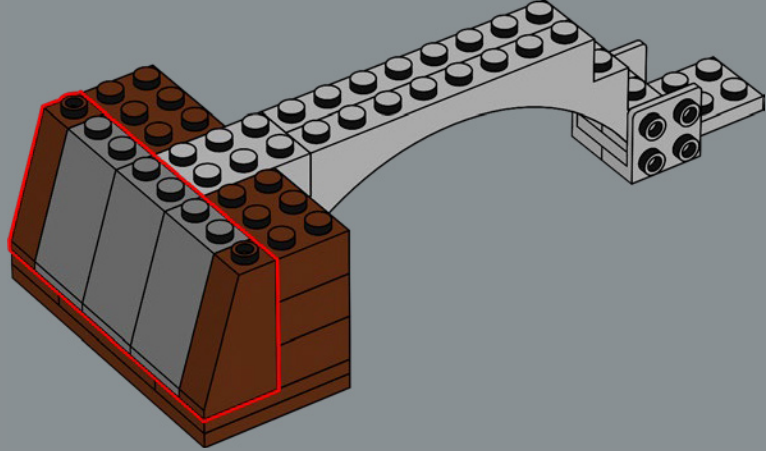
529



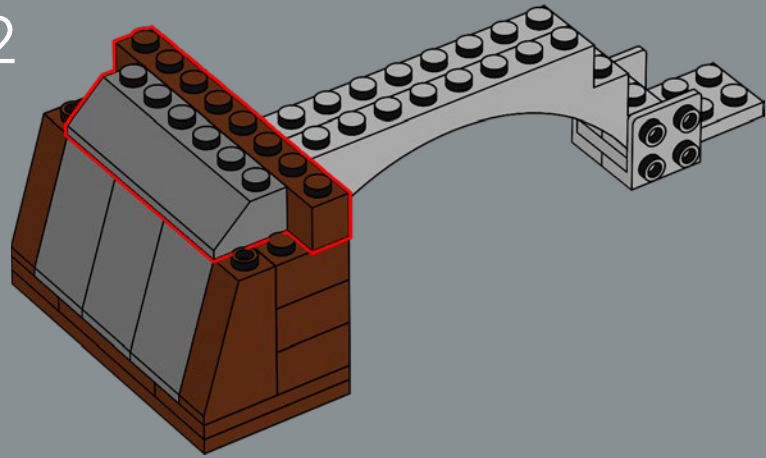
530

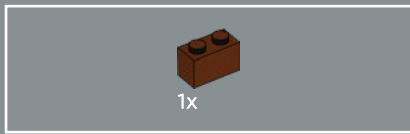


531

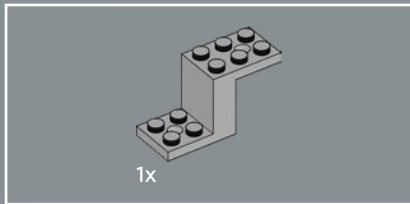
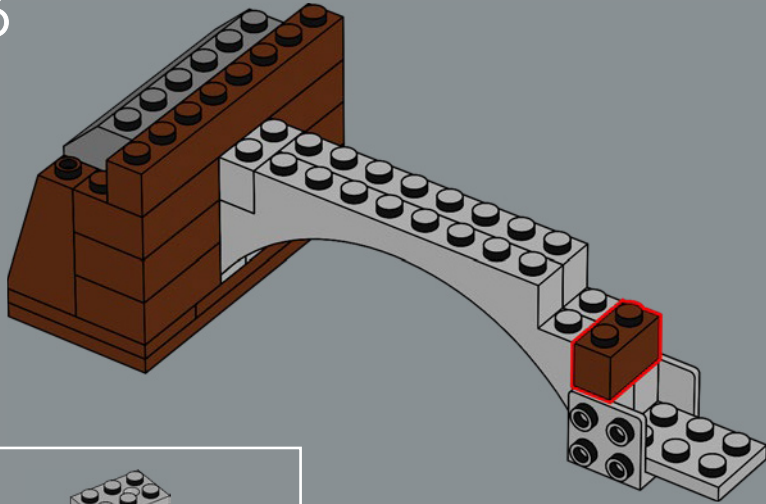


532

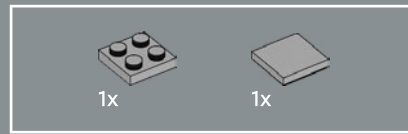
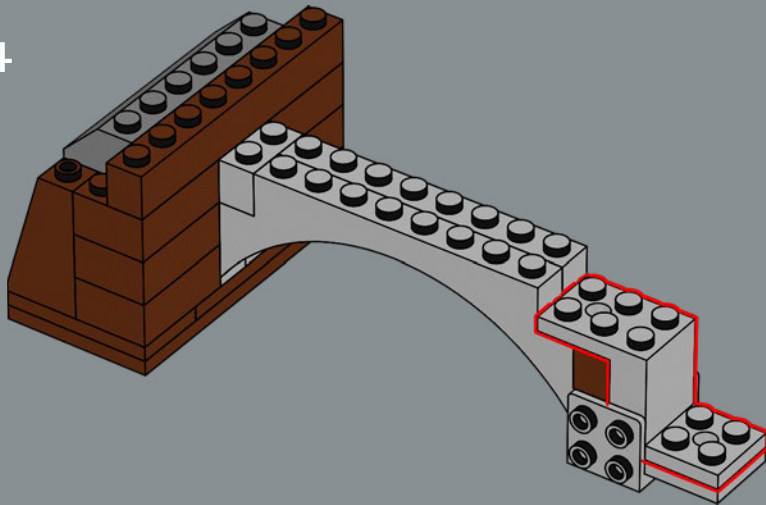




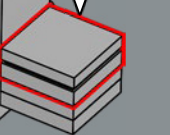
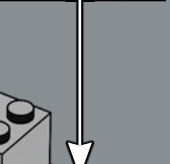
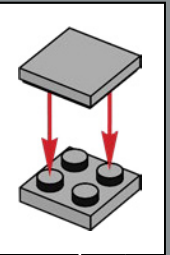
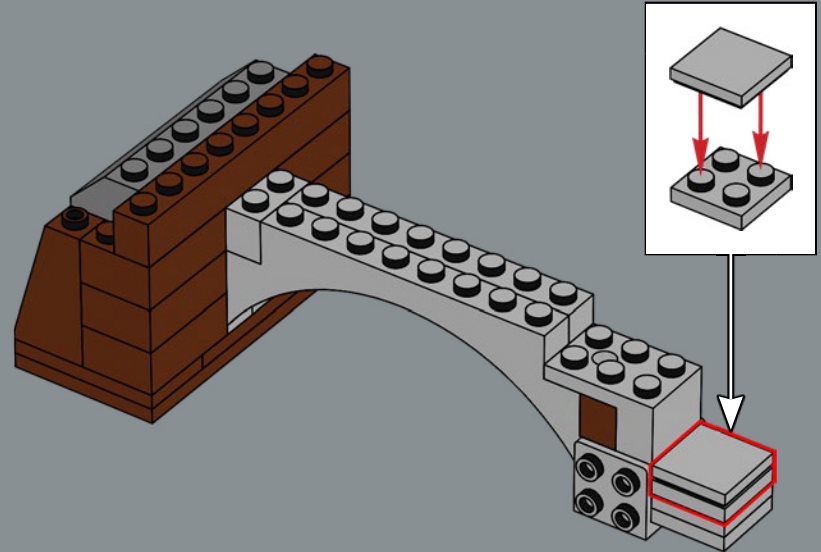
533

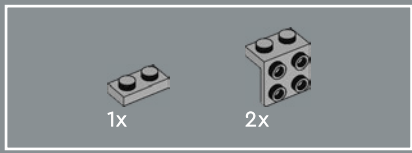


534

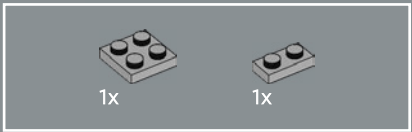
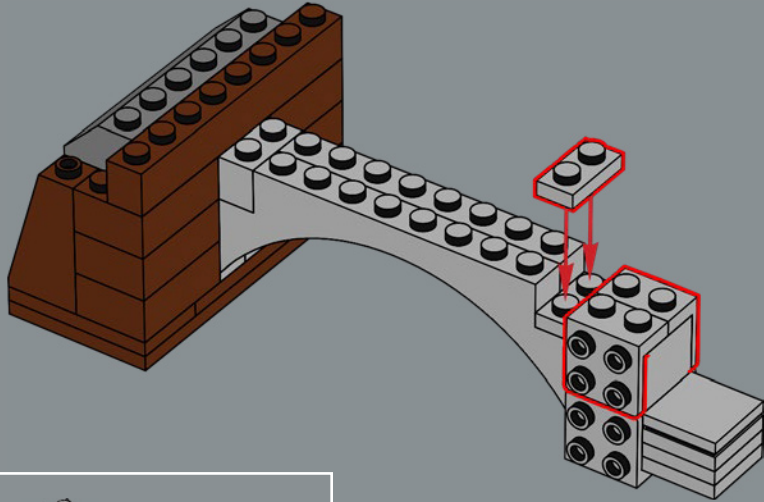


535

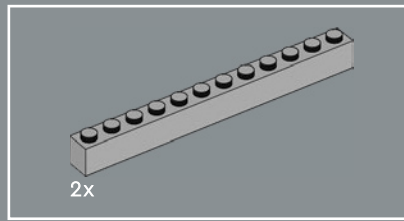
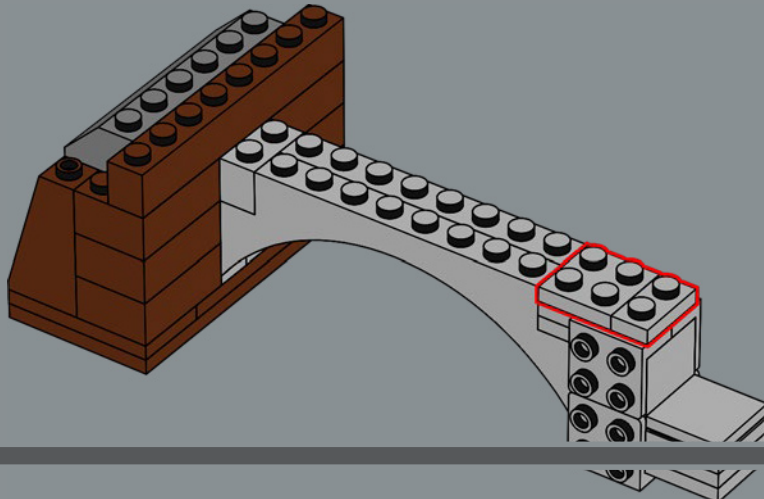




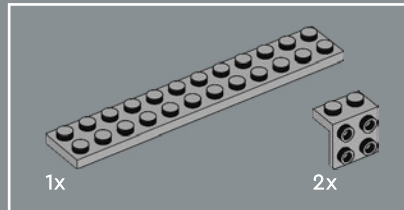
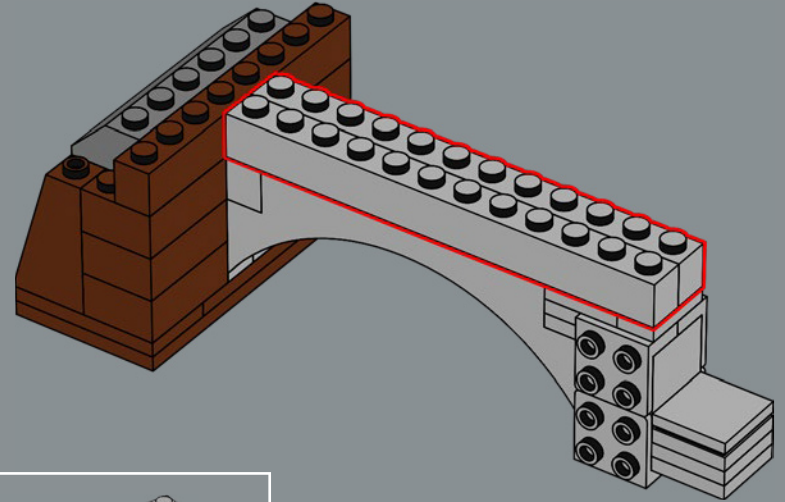
536



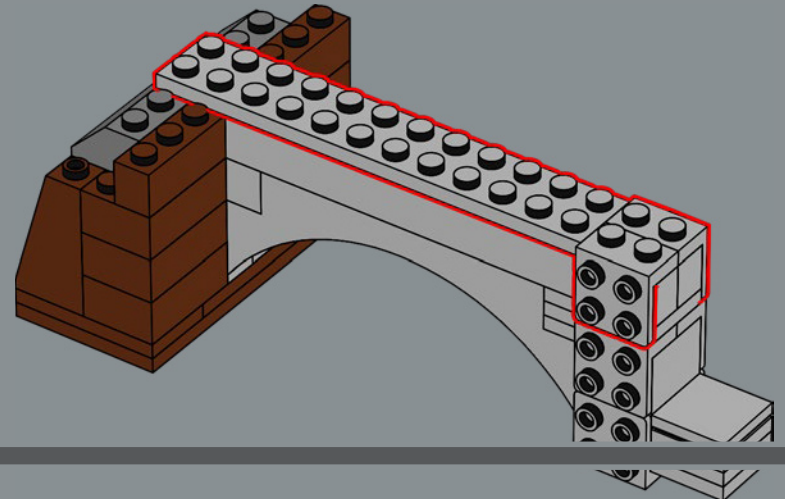
537

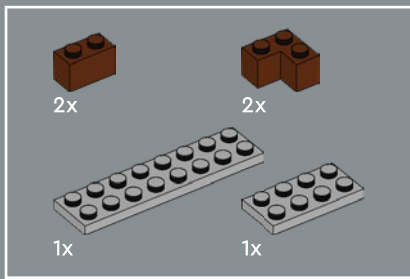


538

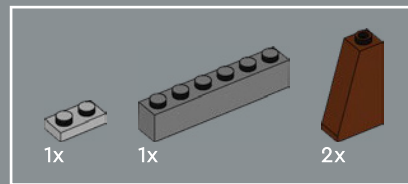
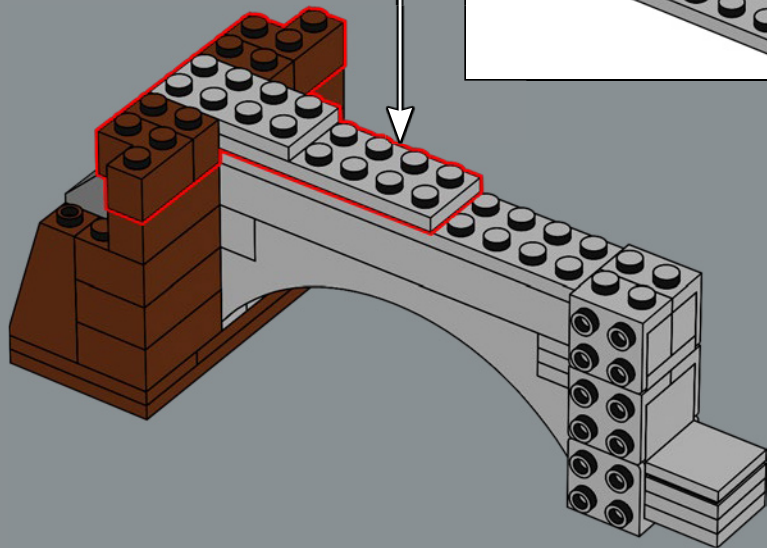
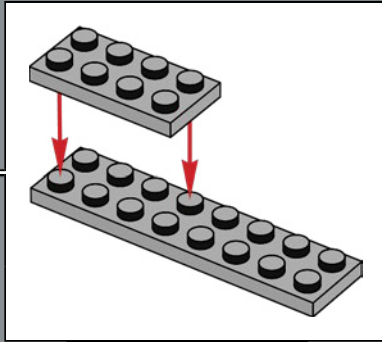


539

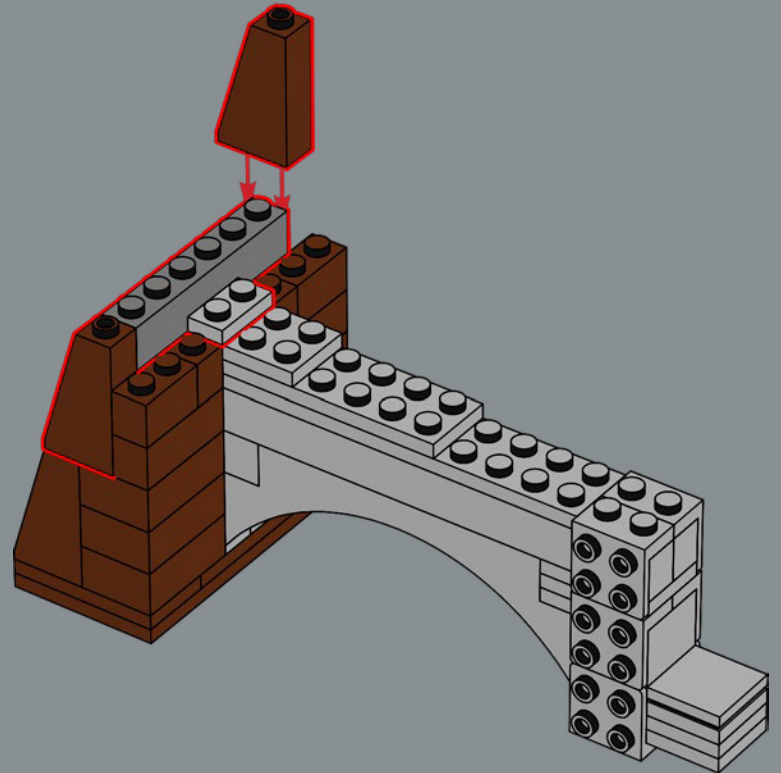


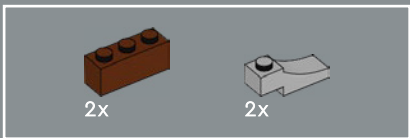


540

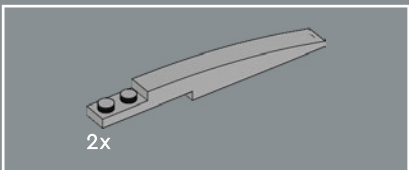
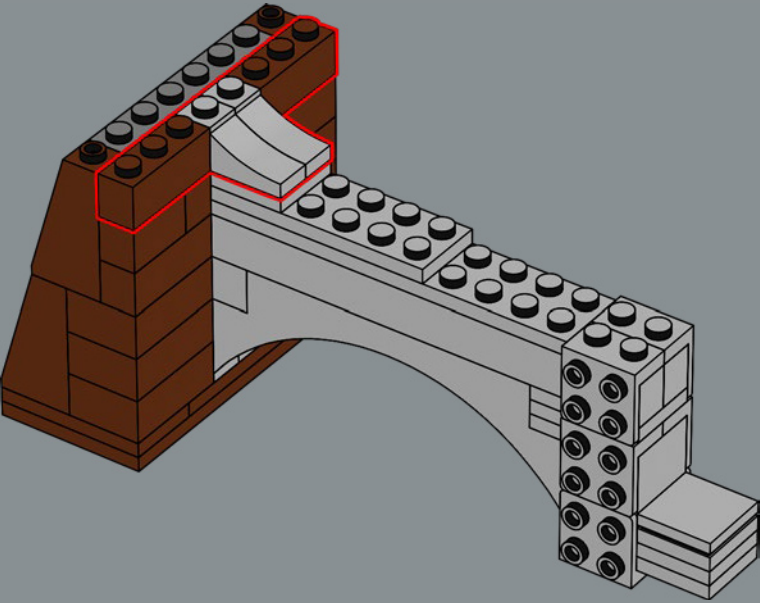


541

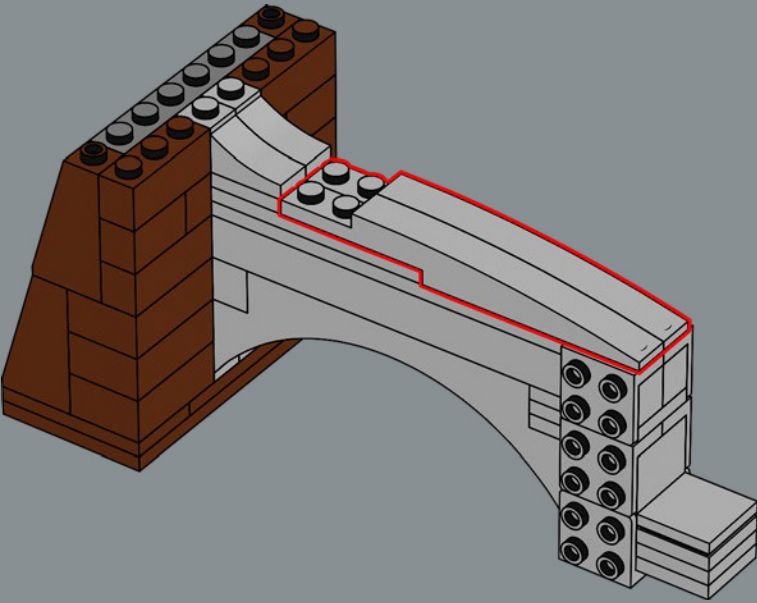


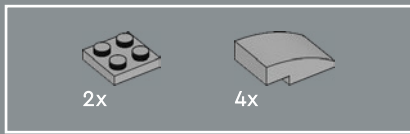


542

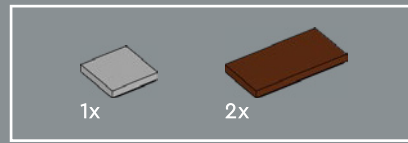
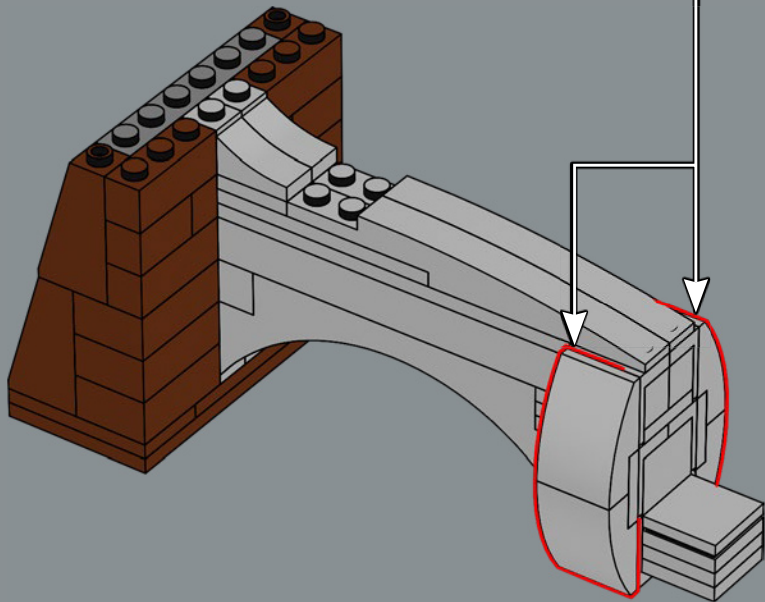
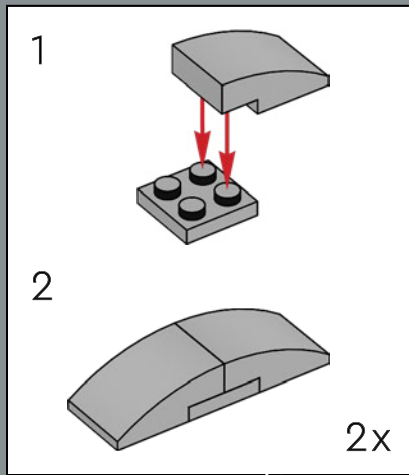


543

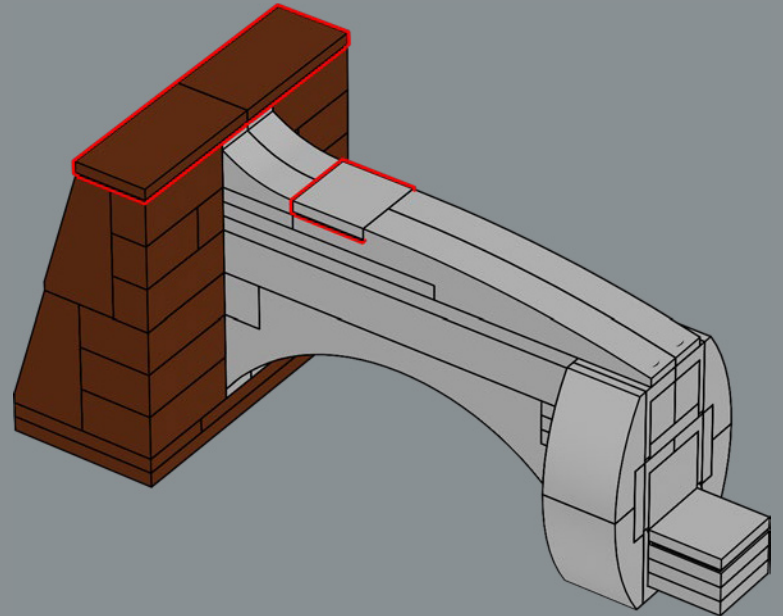


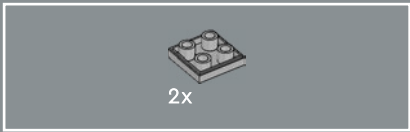


544

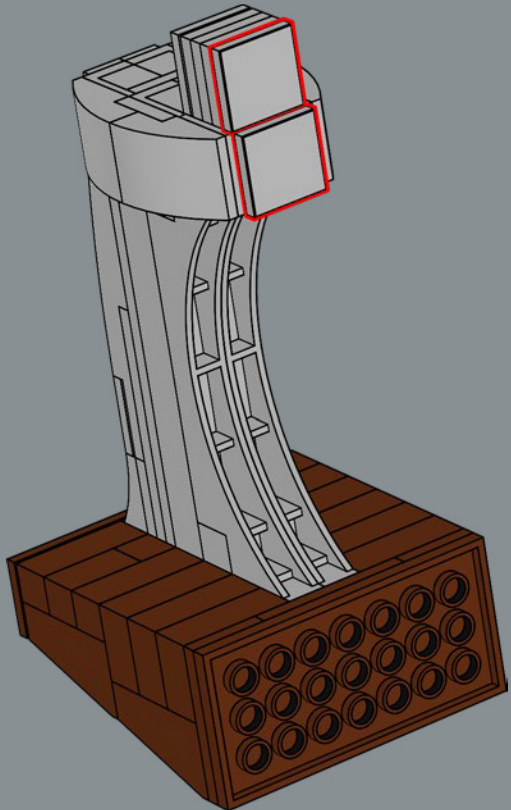


545

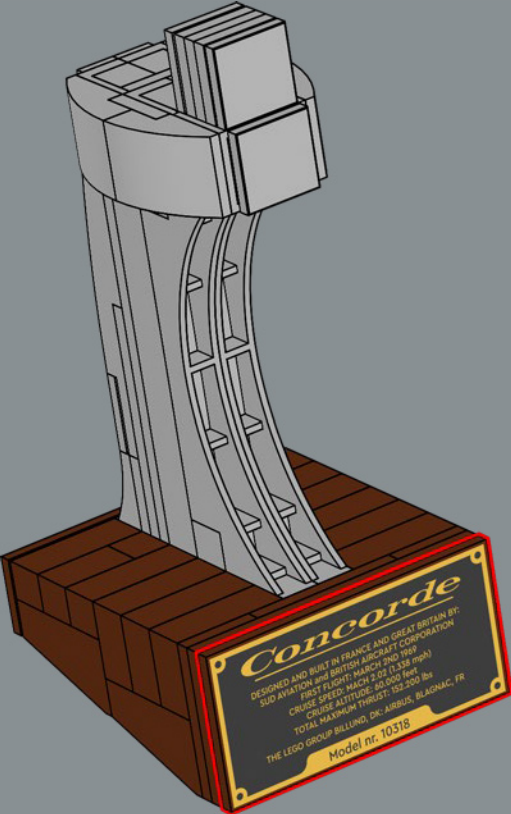




546

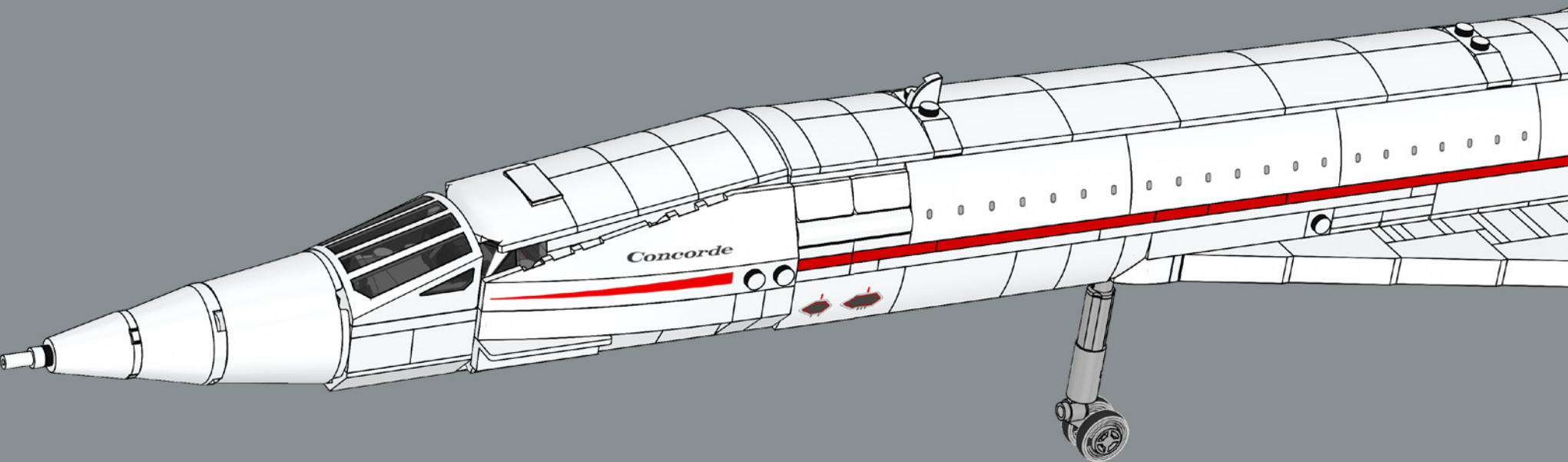


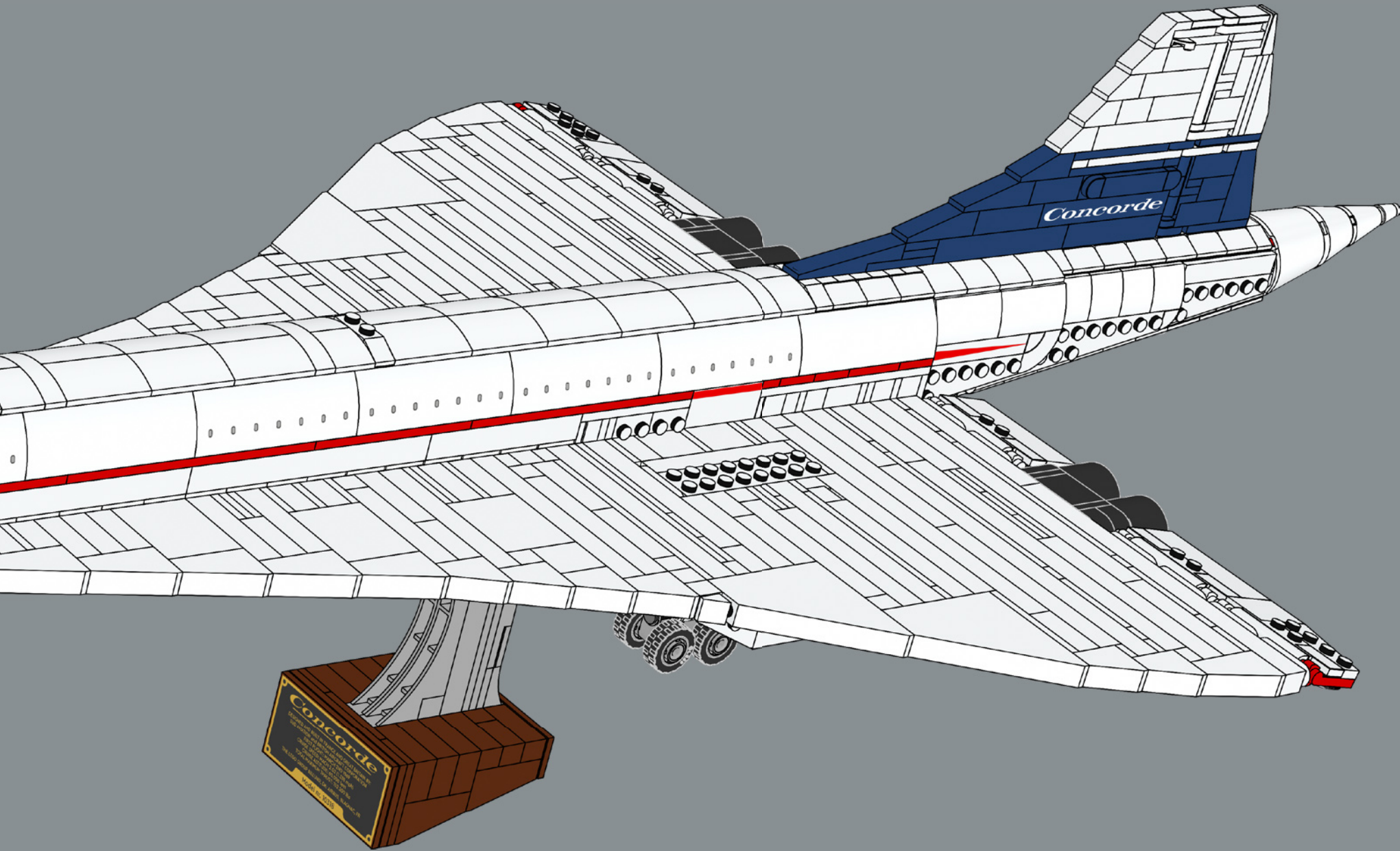
547

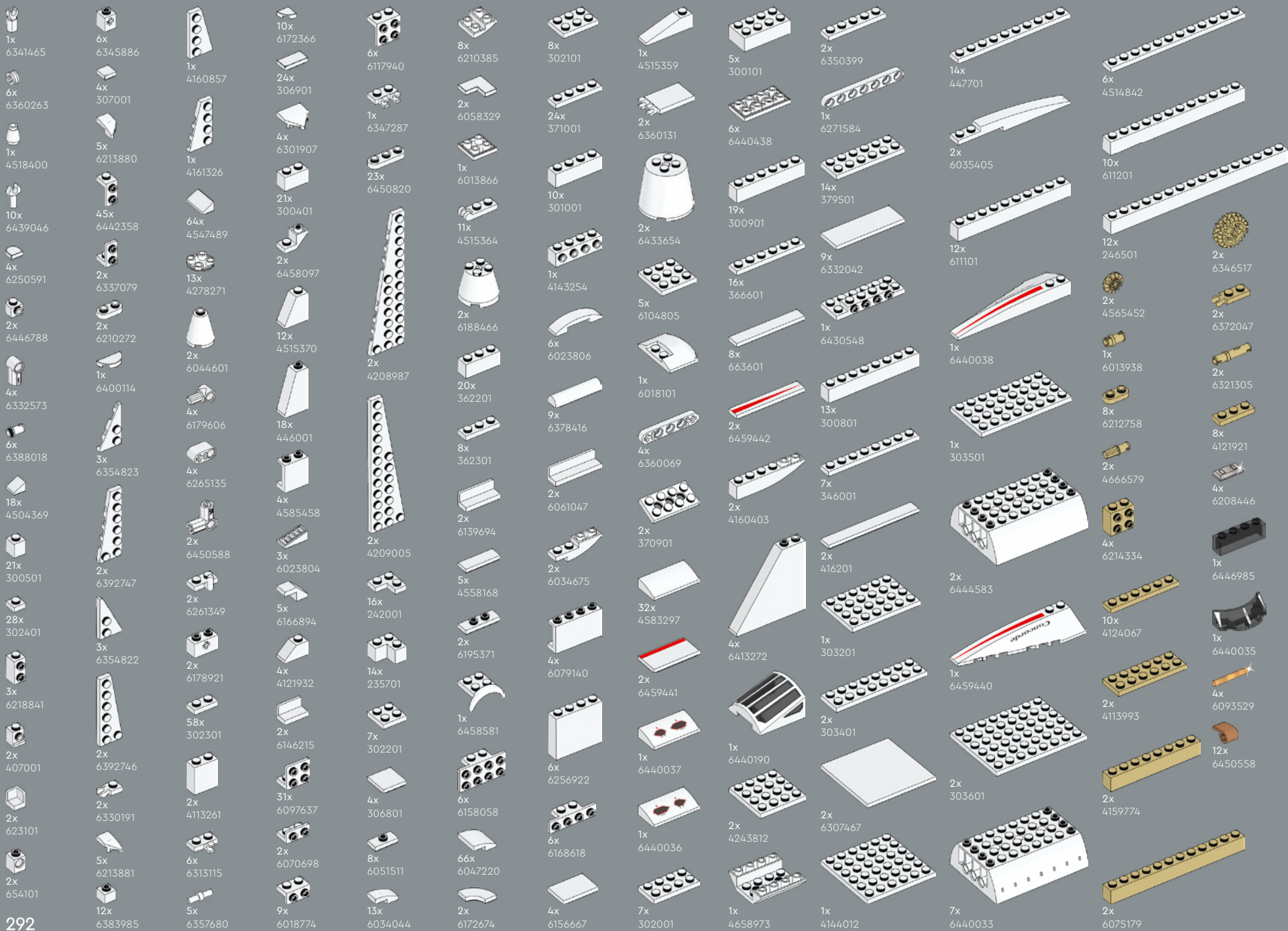


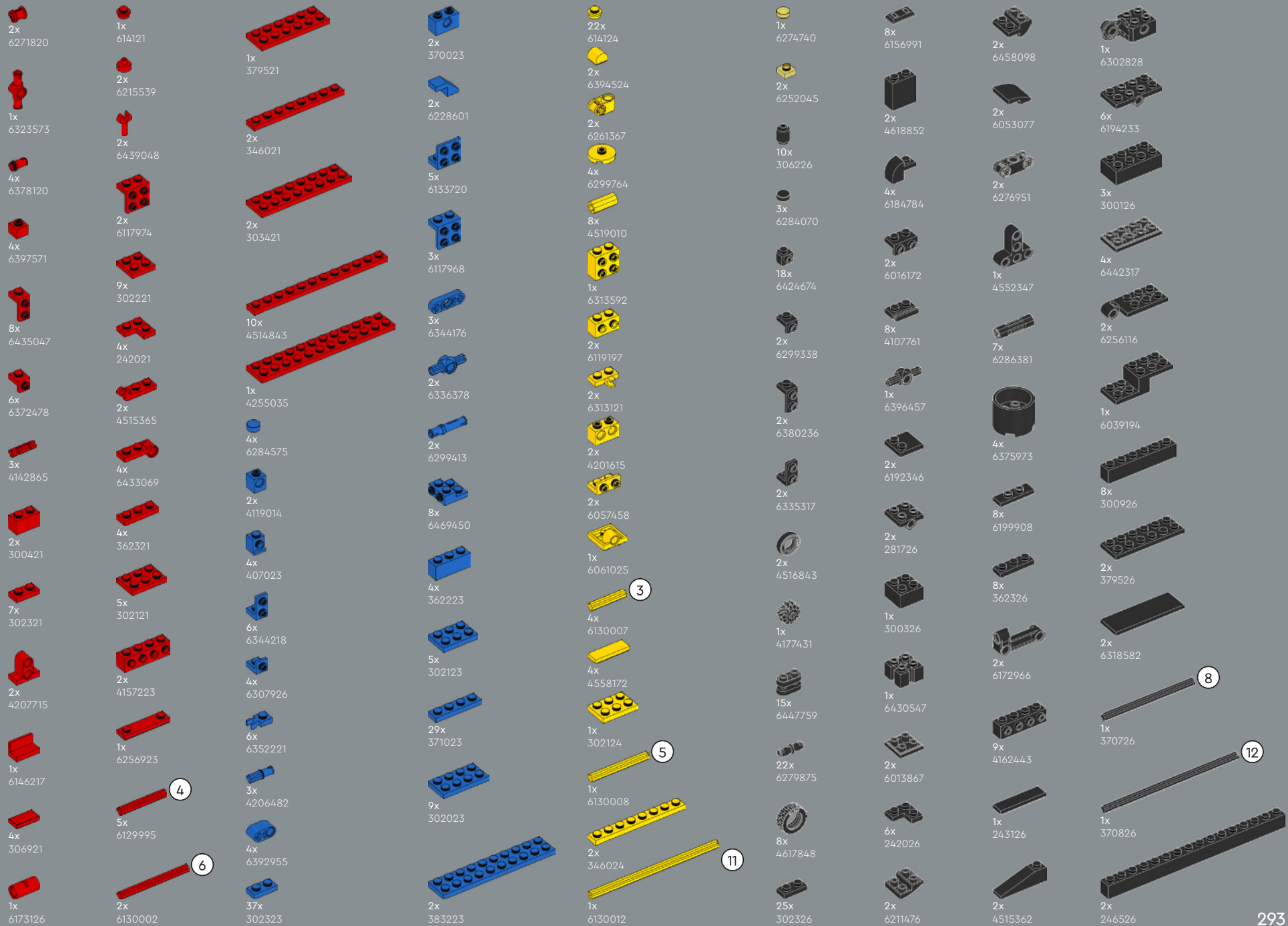


A partnership between Britain and France that produced one of the most remarkable aircraft in aviation history, "Concorde" means "agreement or harmony between people" in both English and French.











YOU COULD WIN



YOU COULD WIN

Your feedback will help shape the future development of this product series.

Visit:

DU KÖNNTEST GEWINNEN

Dein Feedback trägt zur Weiterentwicklung dieser Produktreihe bei.

Geh auf:

VOUS POURRIEZ GAGNER

Vos commentaires nous aideront à concevoir les futurs produits de cette gamme.

Visitez :

POTRESTI VINCERE TU

La tua opinione ci aiuterà a migliorare la creazione futura di questa linea di prodotti.

Visita:

PUEDES GANAR

Tu opinión contribuirá al futuro de esta serie de productos.

Visita:

轻松获奖

您的反馈将有助于我们在今后改进本产品系列。

请访问:

[LEGO.com/productfeedback](https://www.lego.com/productfeedback)

You also have the chance to win a LEGO® set.

Terms and conditions apply.*

Außerdem hast du die Chance, ein LEGO® Set zu gewinnen.

Es gelten die Teilnahmebedingungen.*

Vous pourriez également gagner un ensemble LEGO®.

Des conditions s'appliquent.*

Hai anche la possibilità di vincere un set LEGO®.

Termini e condizioni sono applicabili.*

También tienes la oportunidad de ganar un set LEGO®.

Aplican términos y condiciones.*

您还有机会赢取乐高®套装。

条款和条件适用。*

*[LEGO.com/productfeedback-terms](https://www.lego.com/productfeedback-terms)



LEGO and the LEGO logo are trademarks of the LEGO Group. ©2023 The LEGO Group. 6515067
AIRBUS and Concorde are registered trademarks of Airbus. They may not be used without Airbus' prior written consent. All rights reserved.