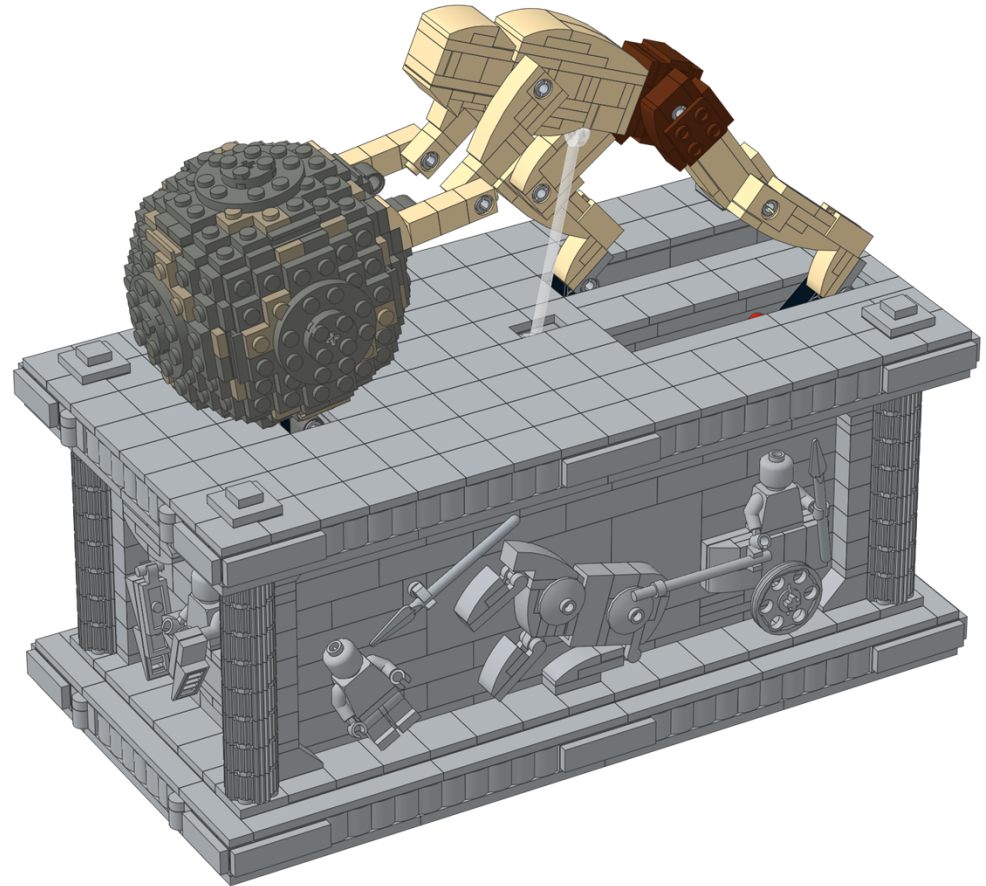


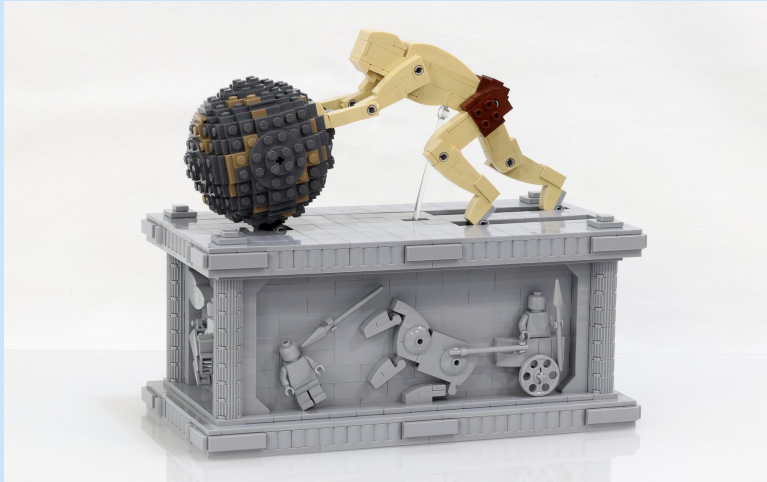
1807

Sisyphus Automata
(Non-Motorized)

1208 pieces

A custom model design
by Jason Allemann





Instructions for the manually powered version of my Sisyphus kinetic sculpture.

For more information about this model, instructions for the motorized version, or details on purchasing the parts to build it, please visit jkbrickworks.com

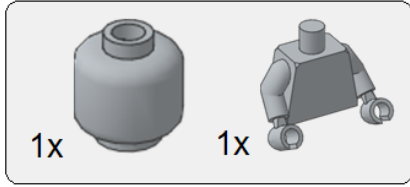
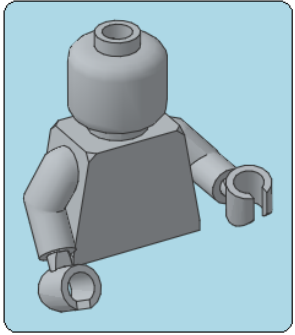
To see more of our custom models, visit jkbrickworks.com.

You can also find us at facebook.com/JKBrickworks or follow [@jasonallemann](https://twitter.com/jasonallemann) on Twitter and Instagram.

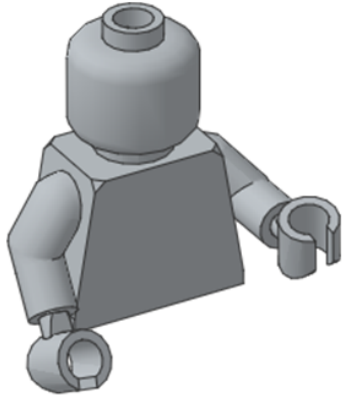
© 2018 Jason Allemann



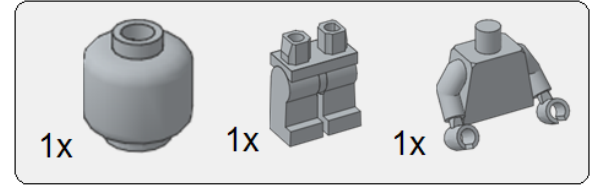
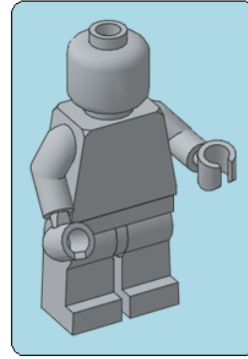
These instructions and the design depicted are made freely available for personal use, and are licensed under the *Creative Commons Attribution-NonCommercial 4.0 International License*.



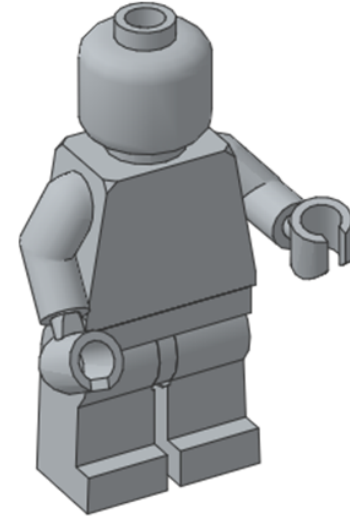
x2



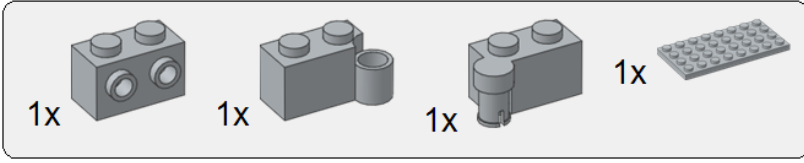
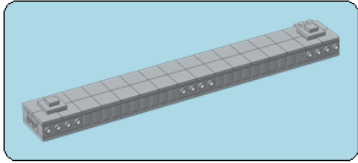
x2



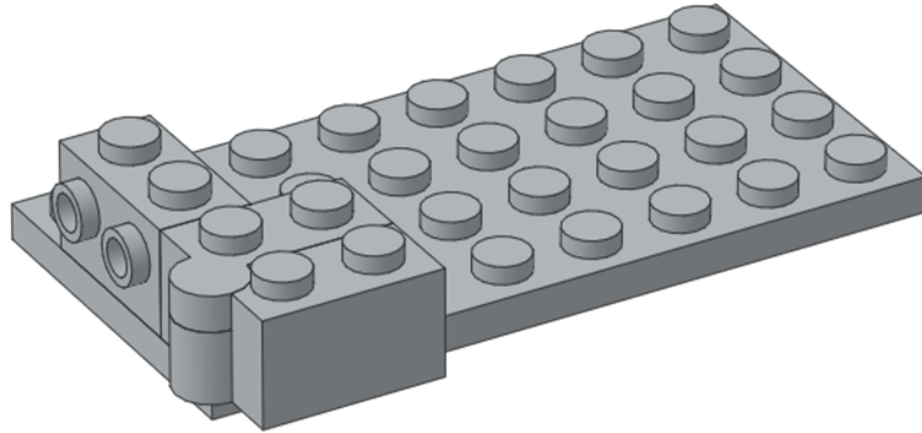
x5

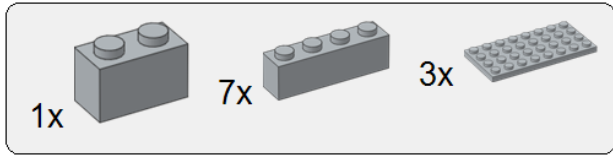


x5

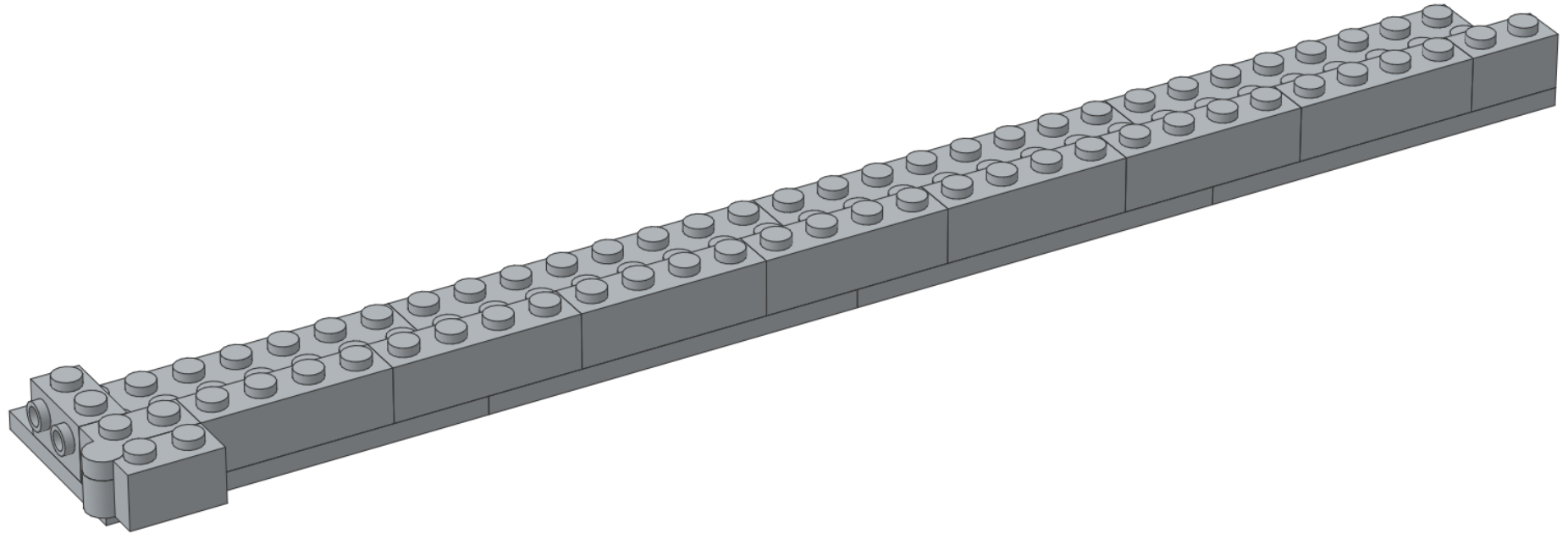


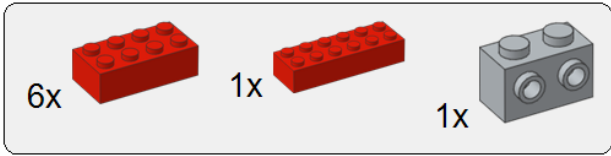
1



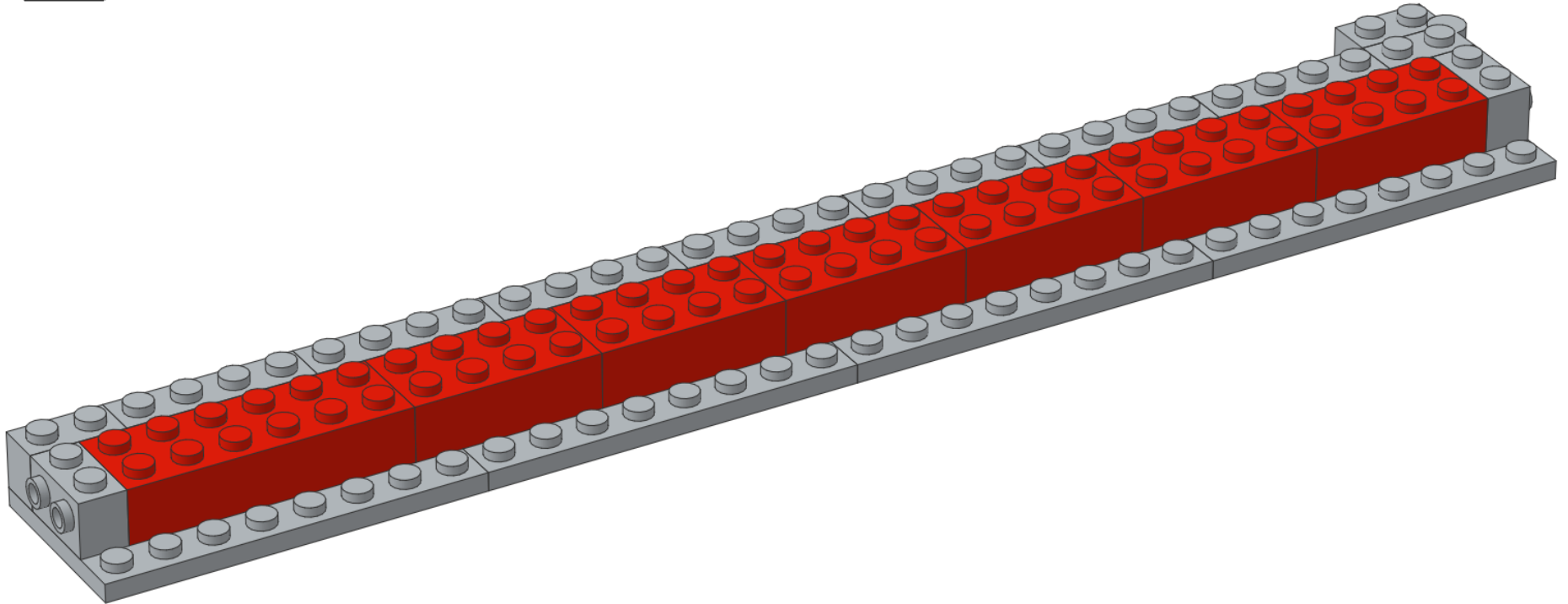


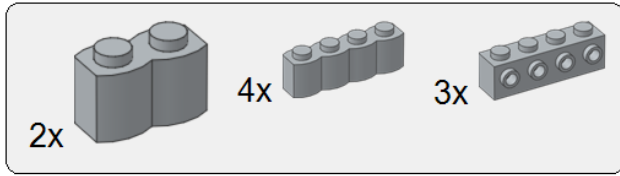
2



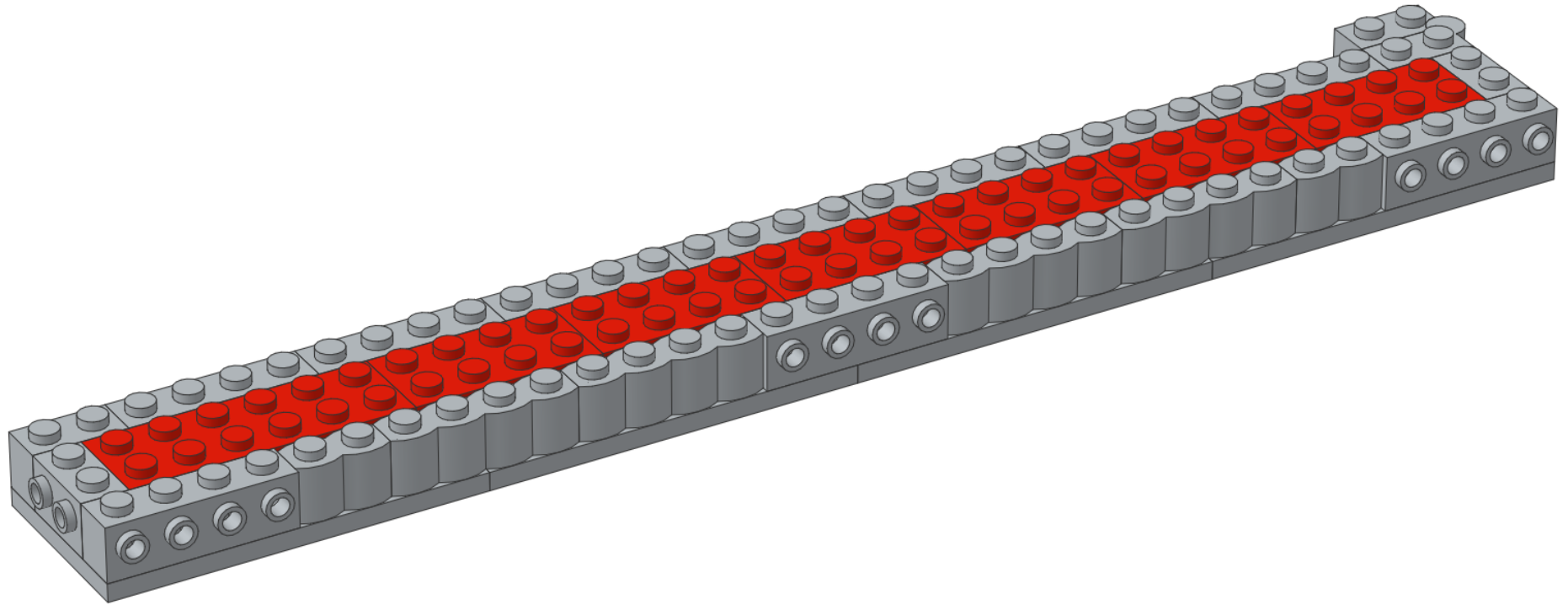


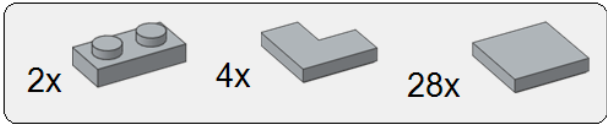
3



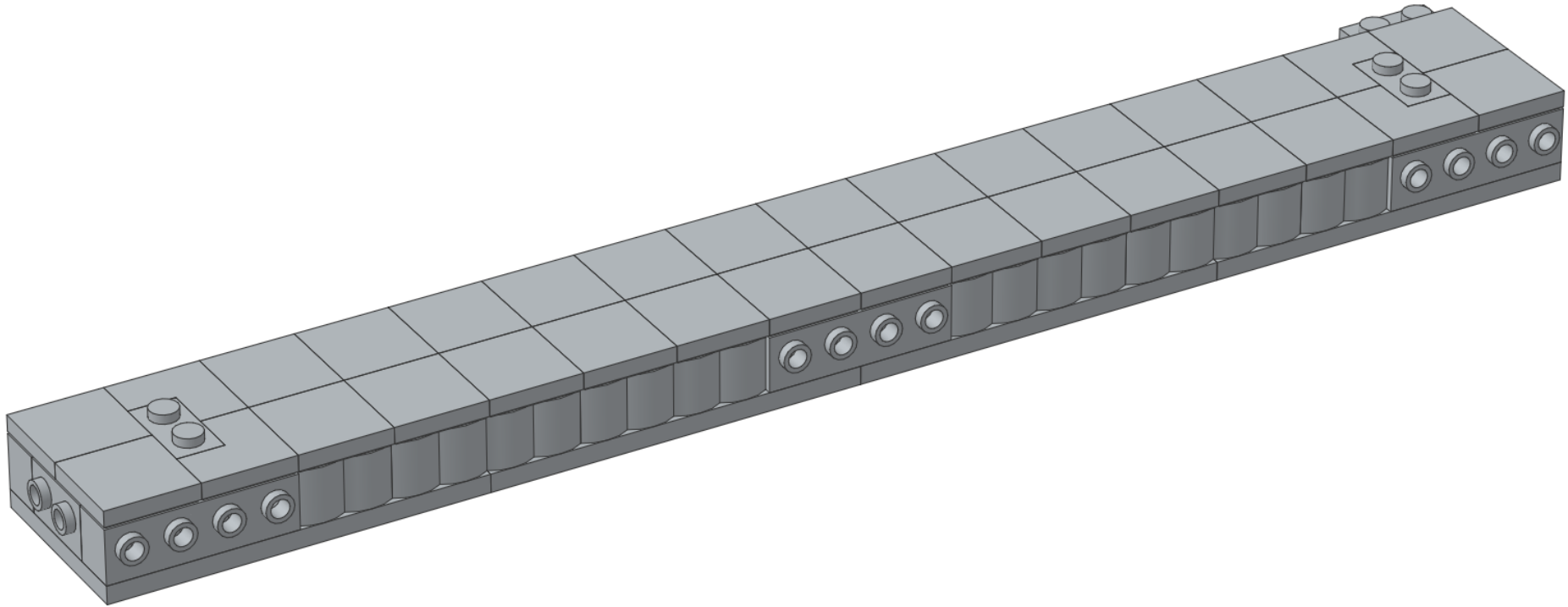


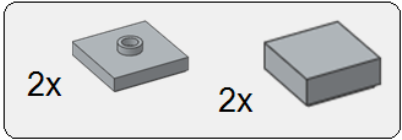
4



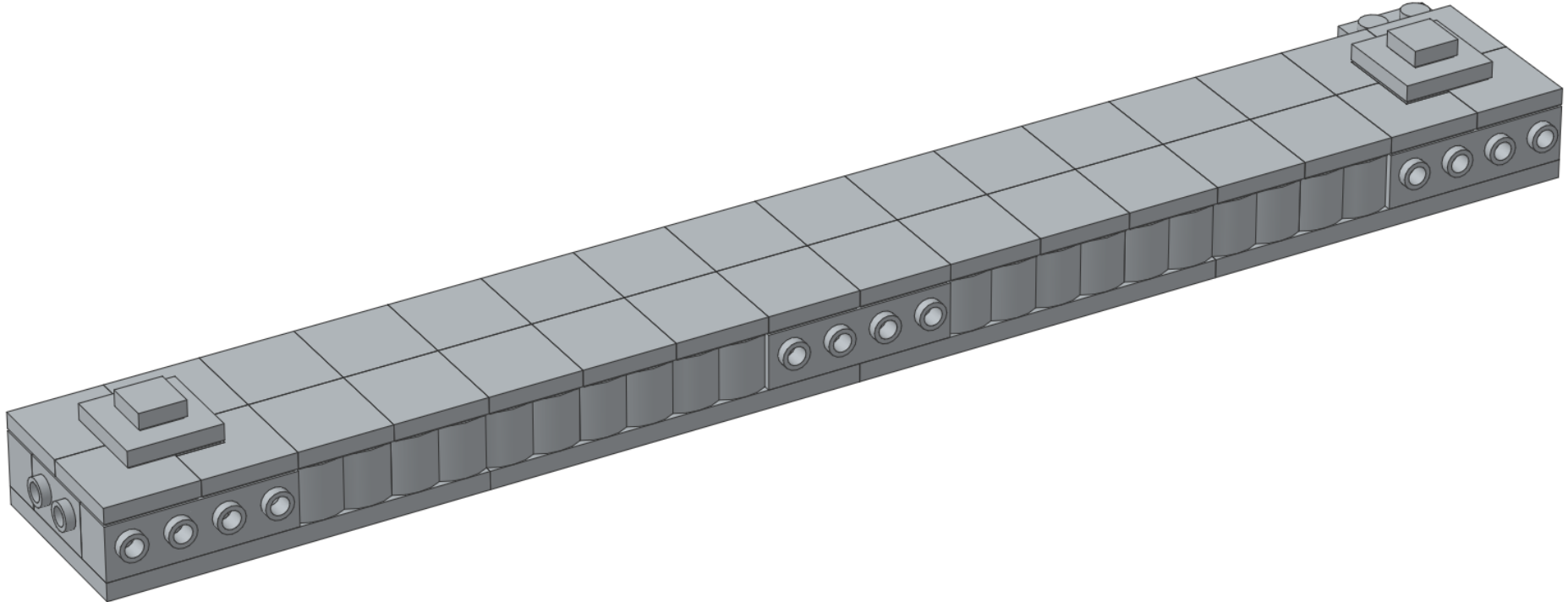


5



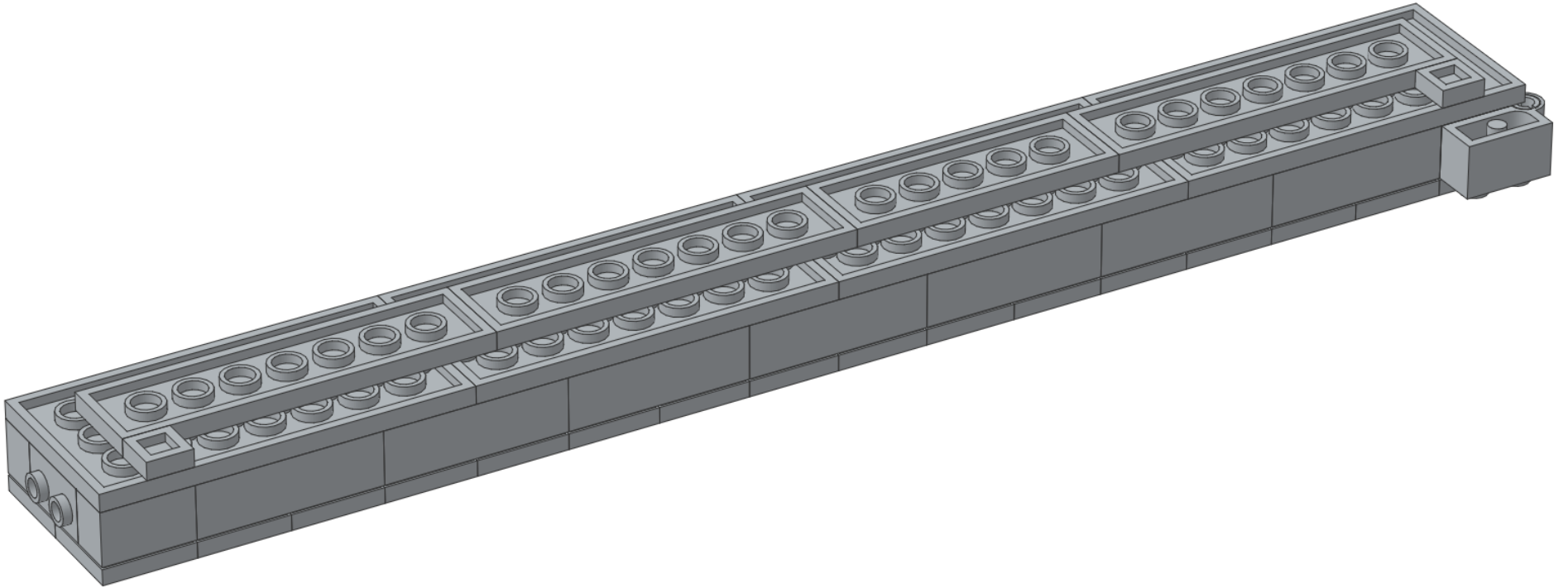


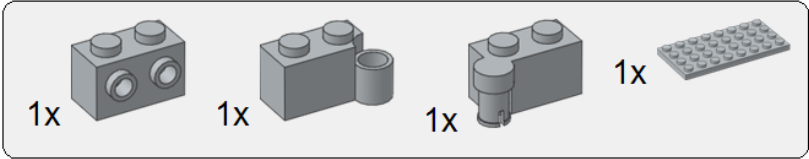
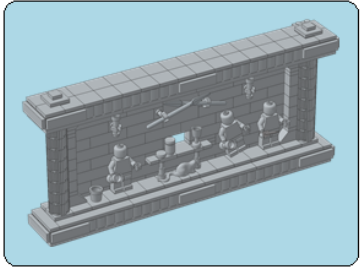
6



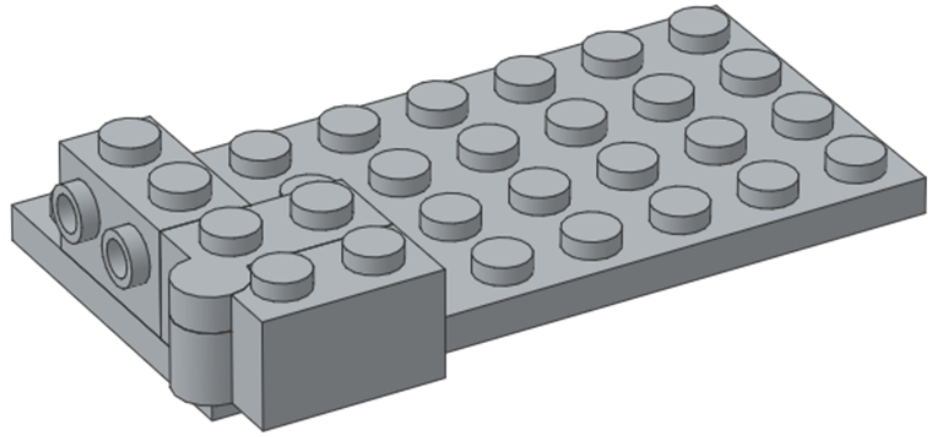


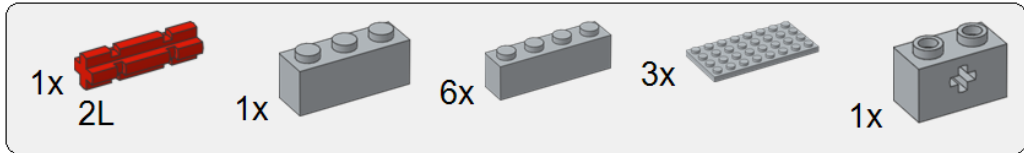
7



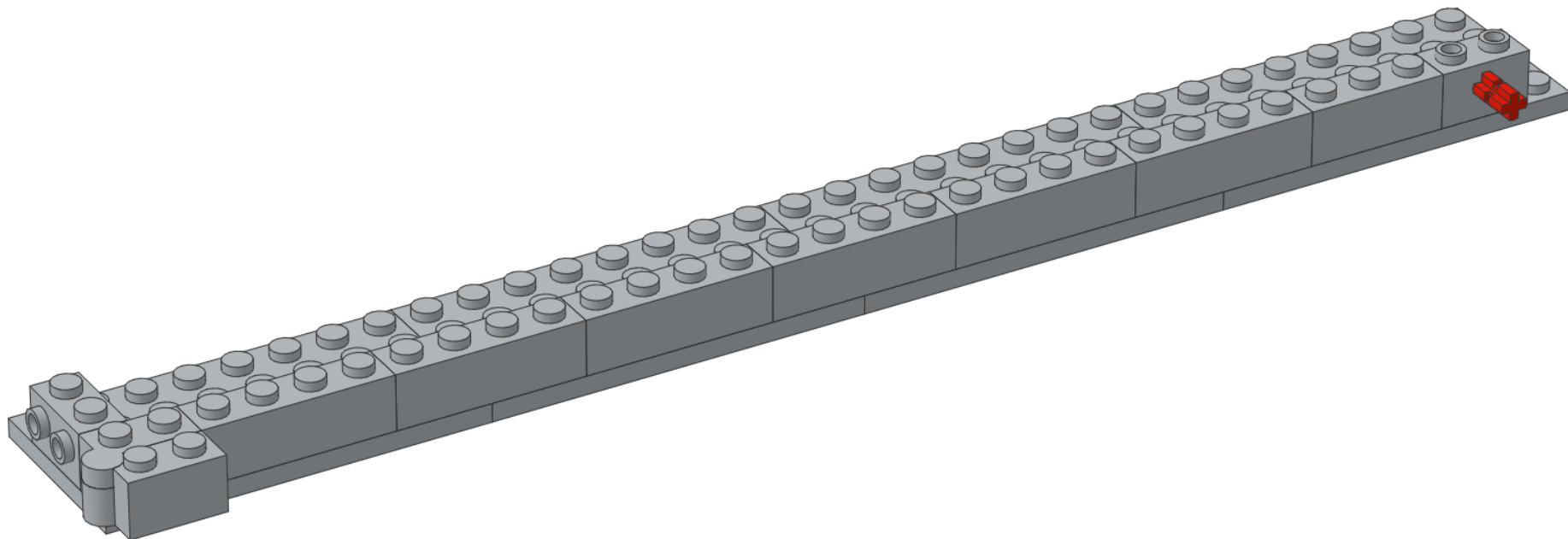


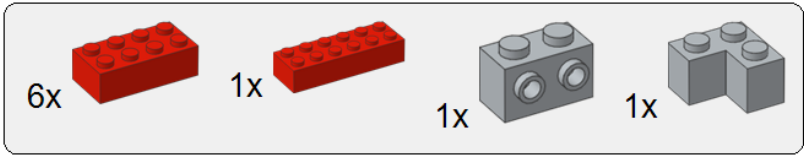
1



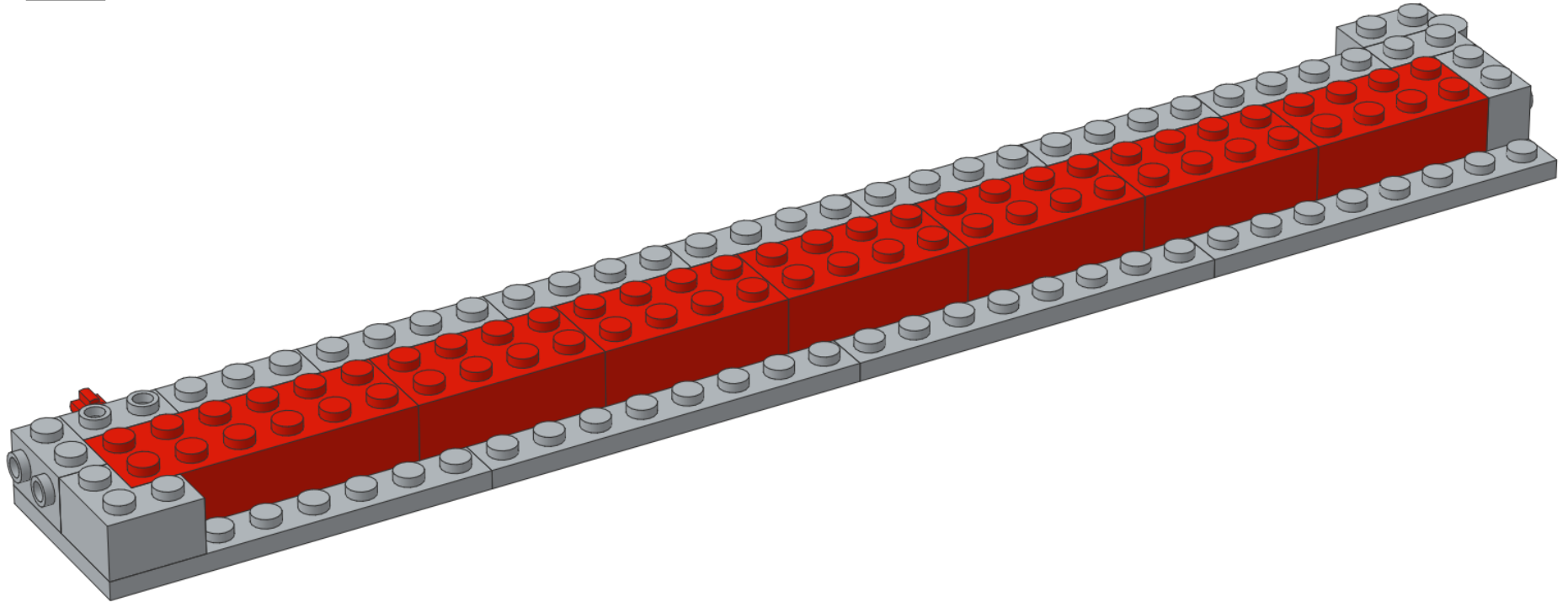


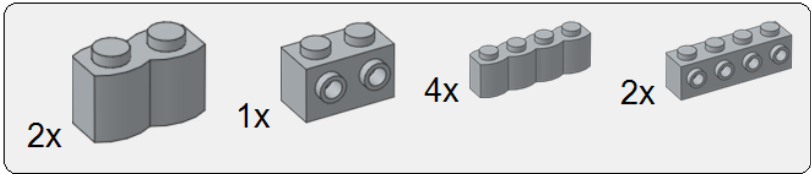
2



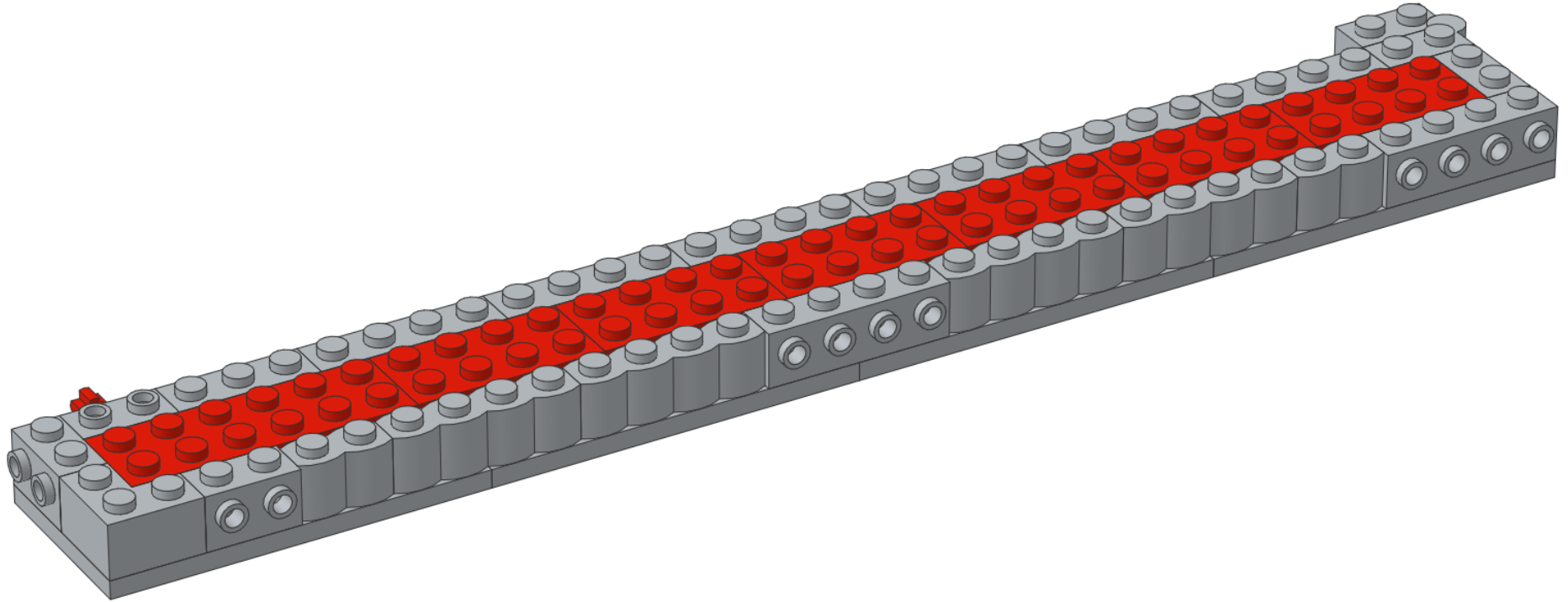


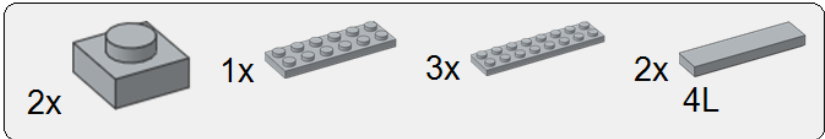
3



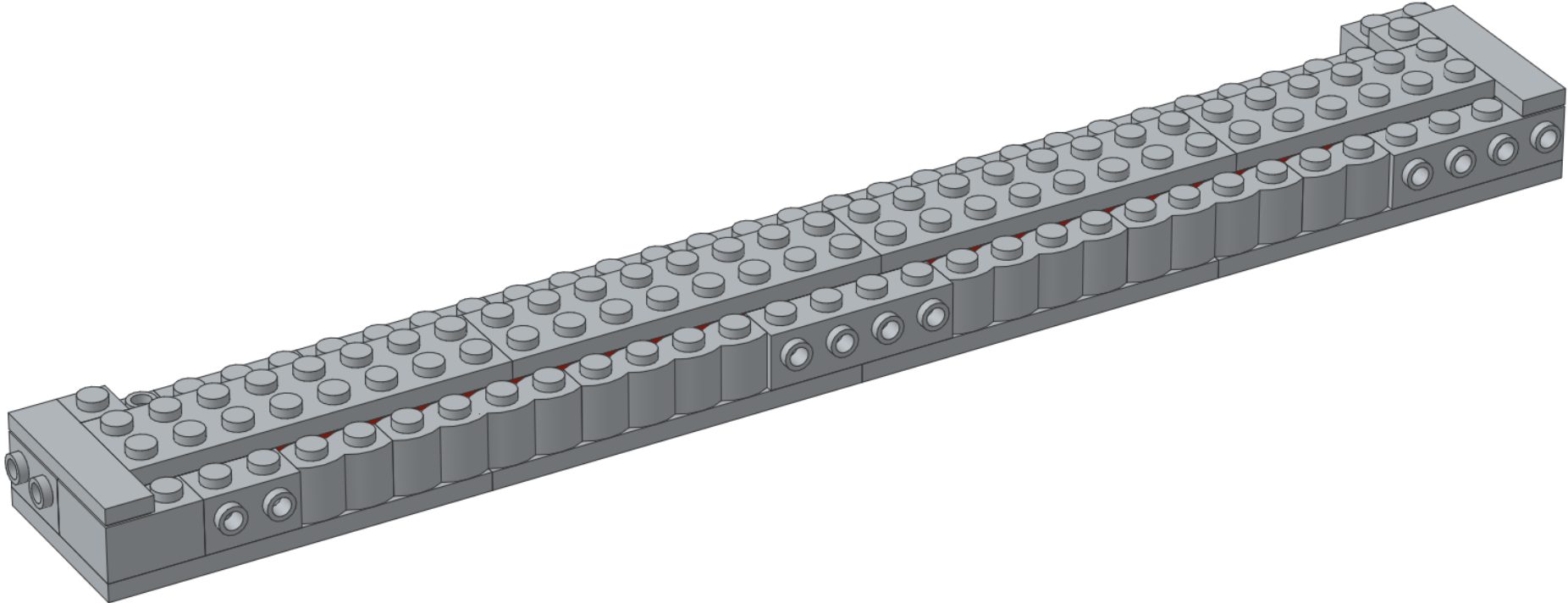


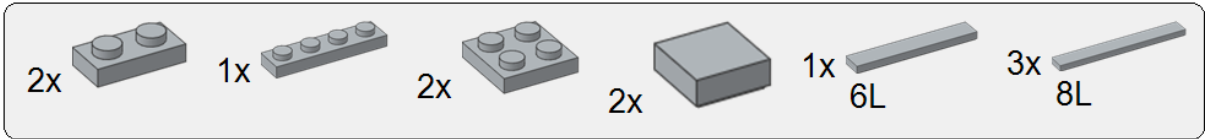
4



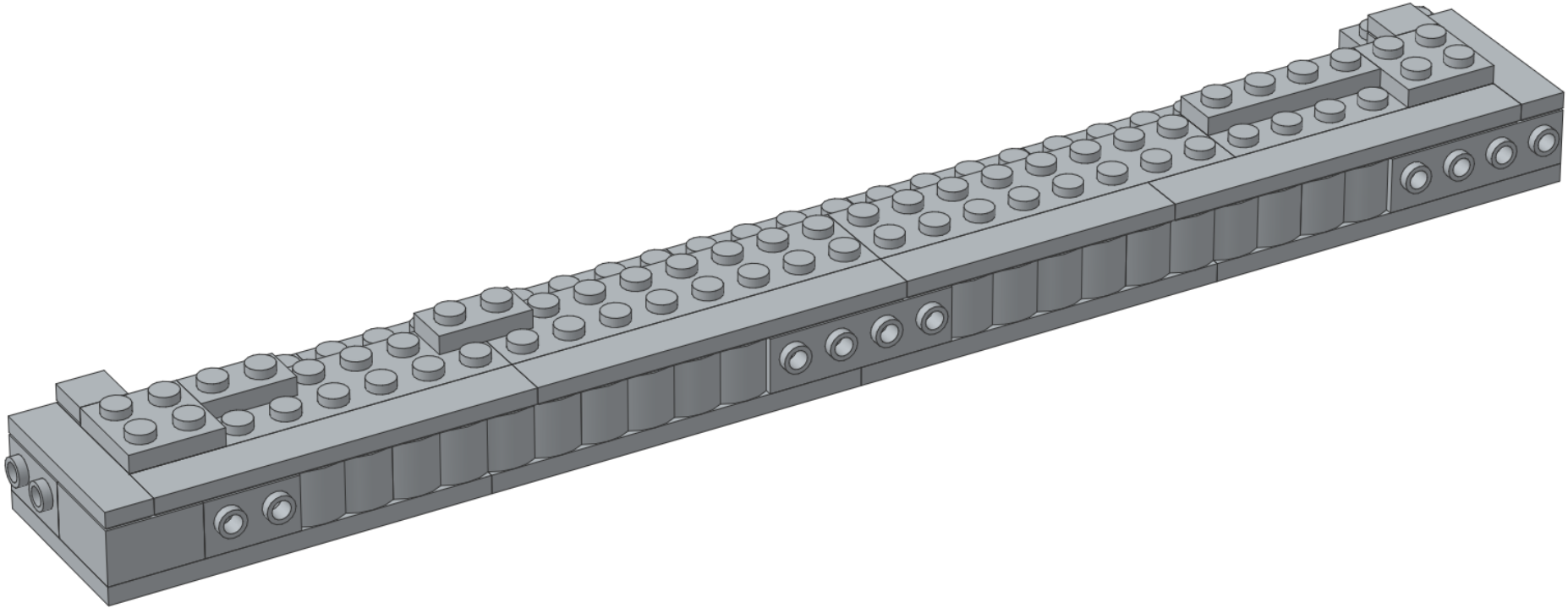


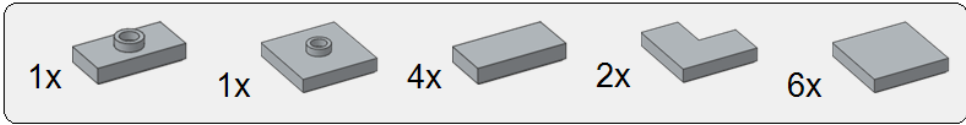
5



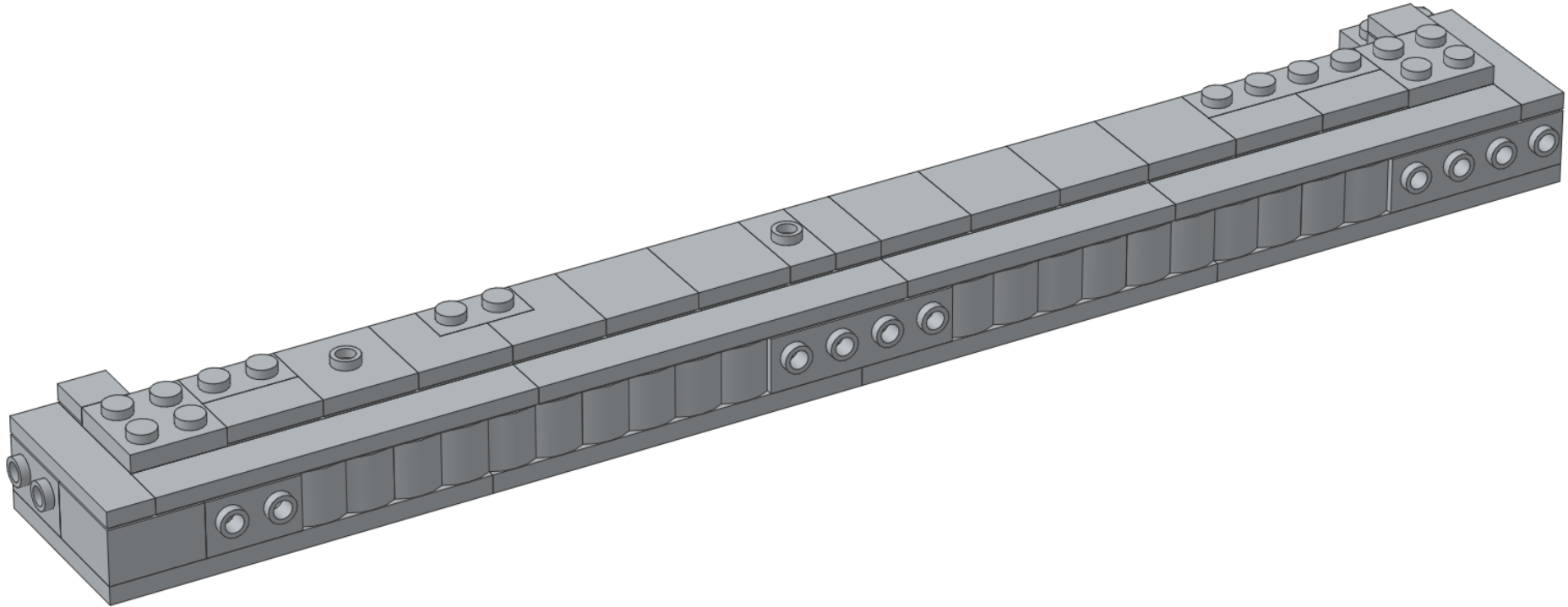


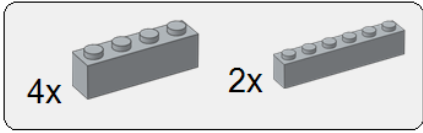
6



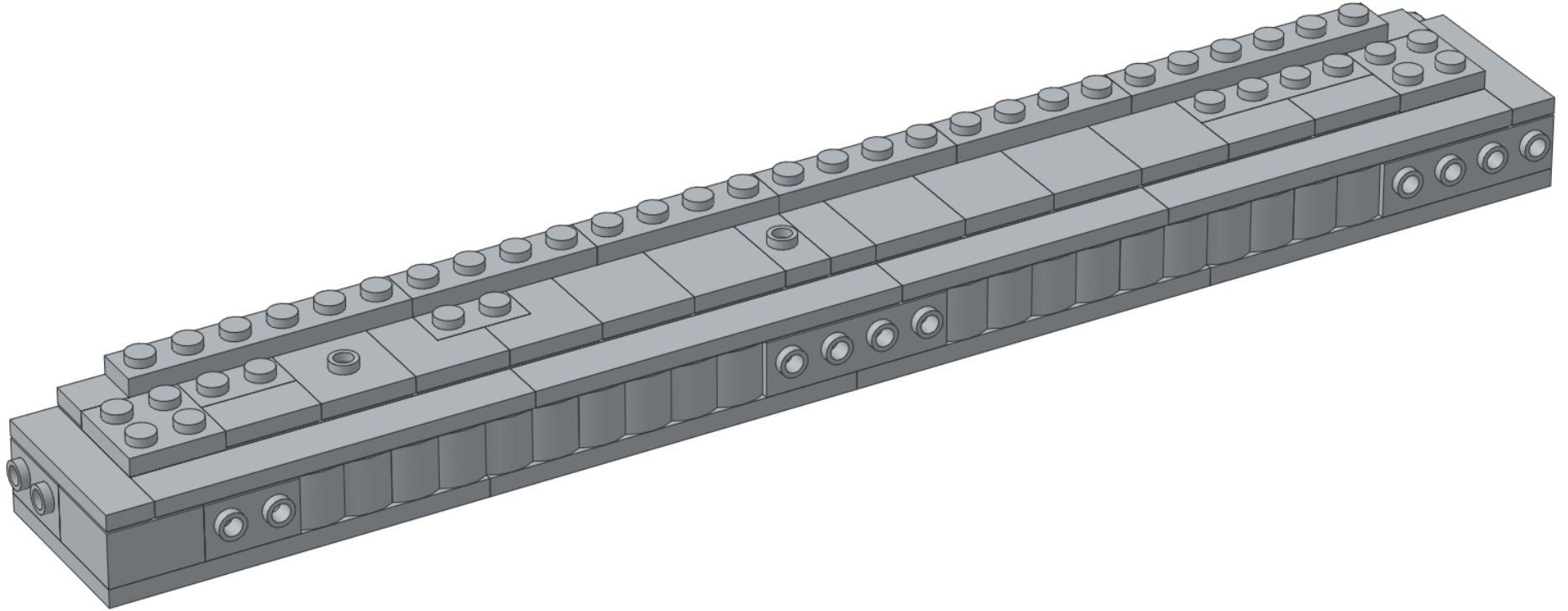


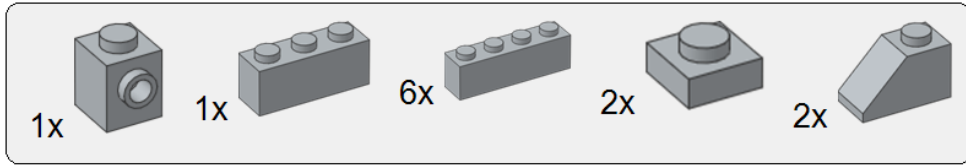
7



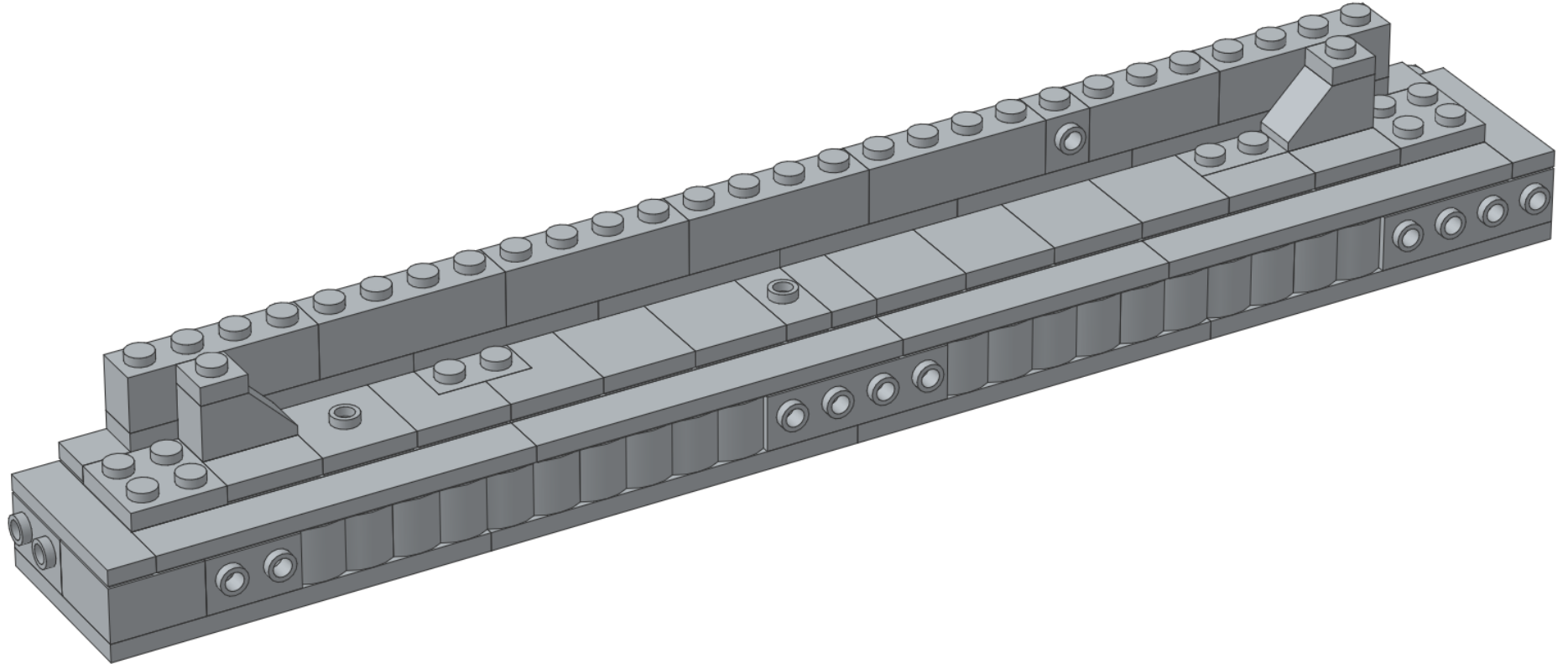


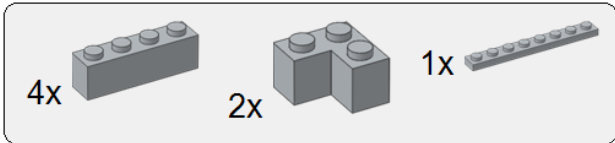
8



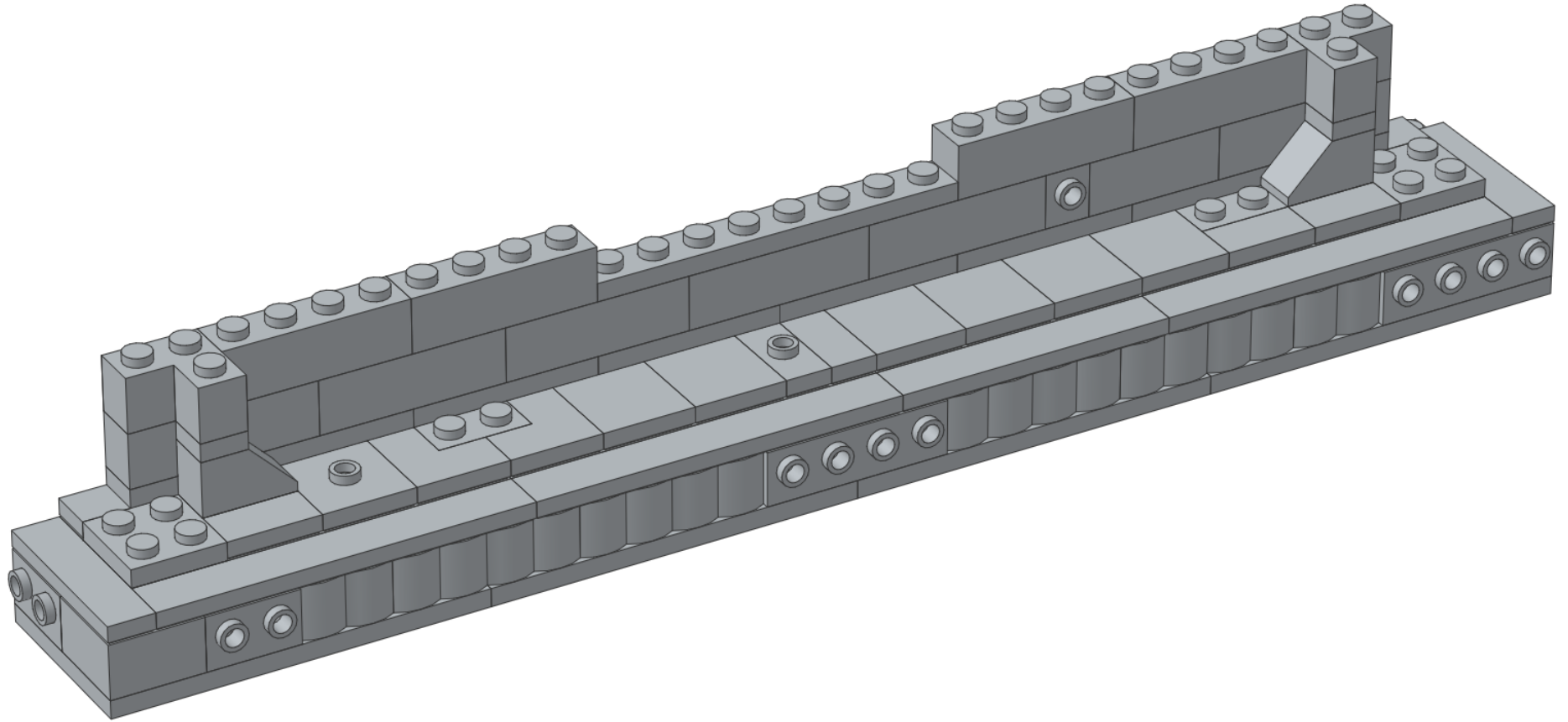


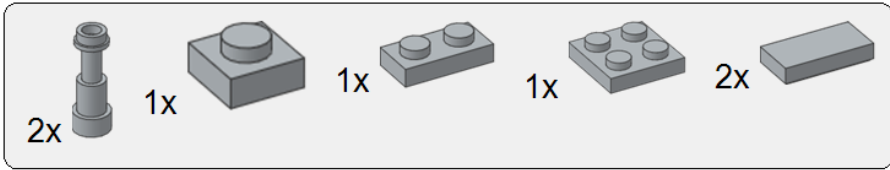
9



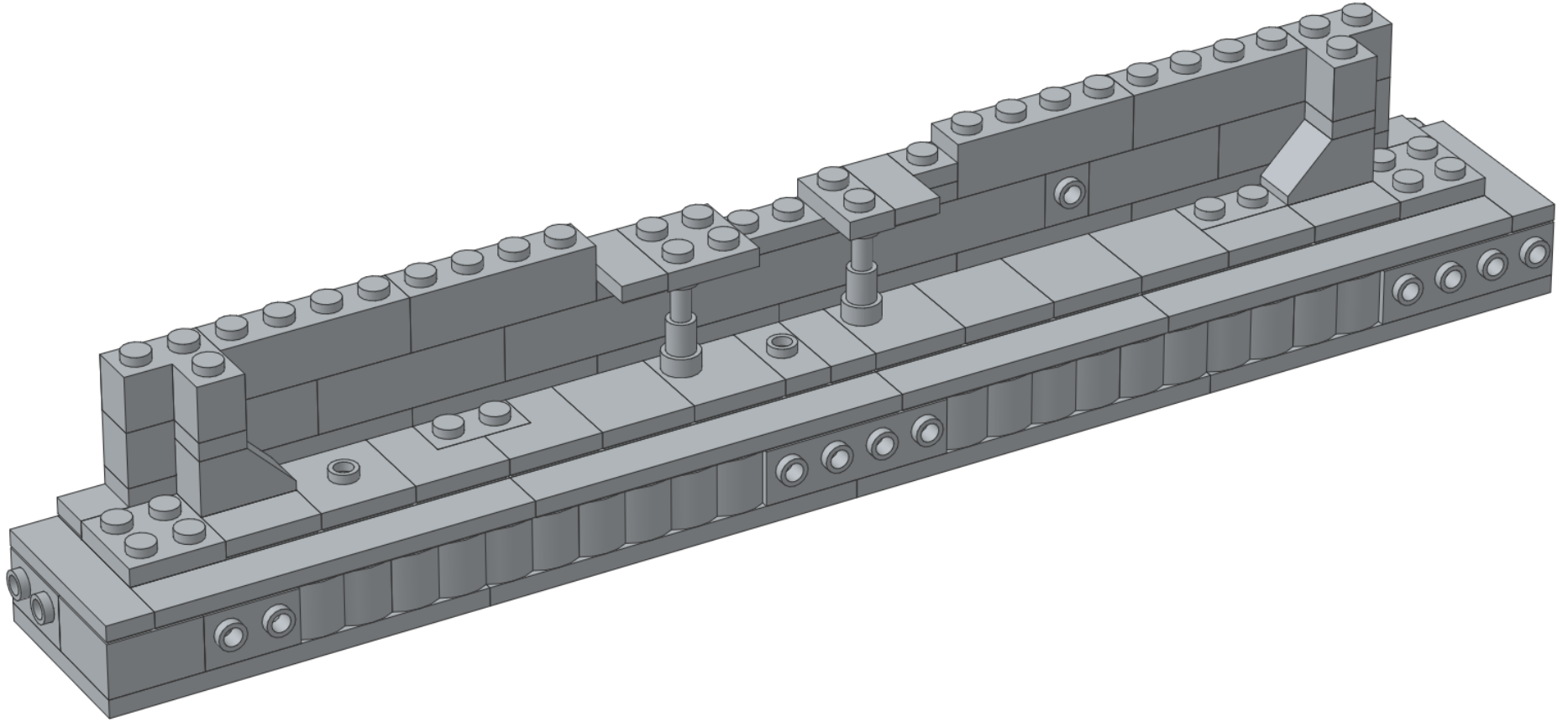


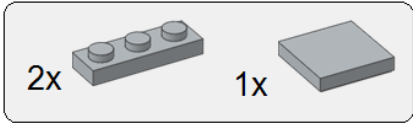
10



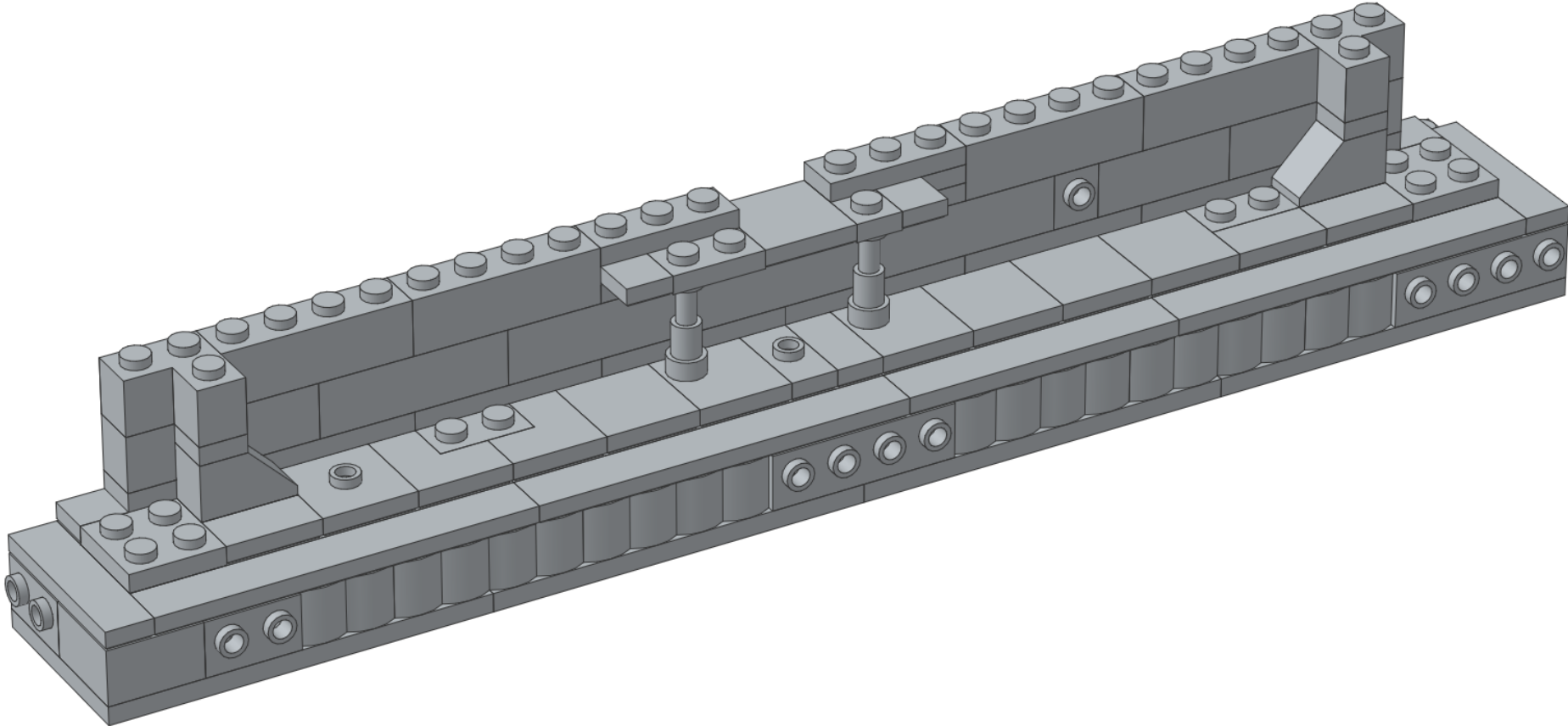


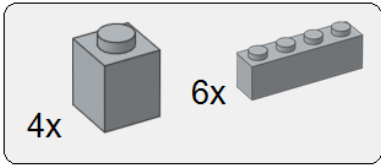
11



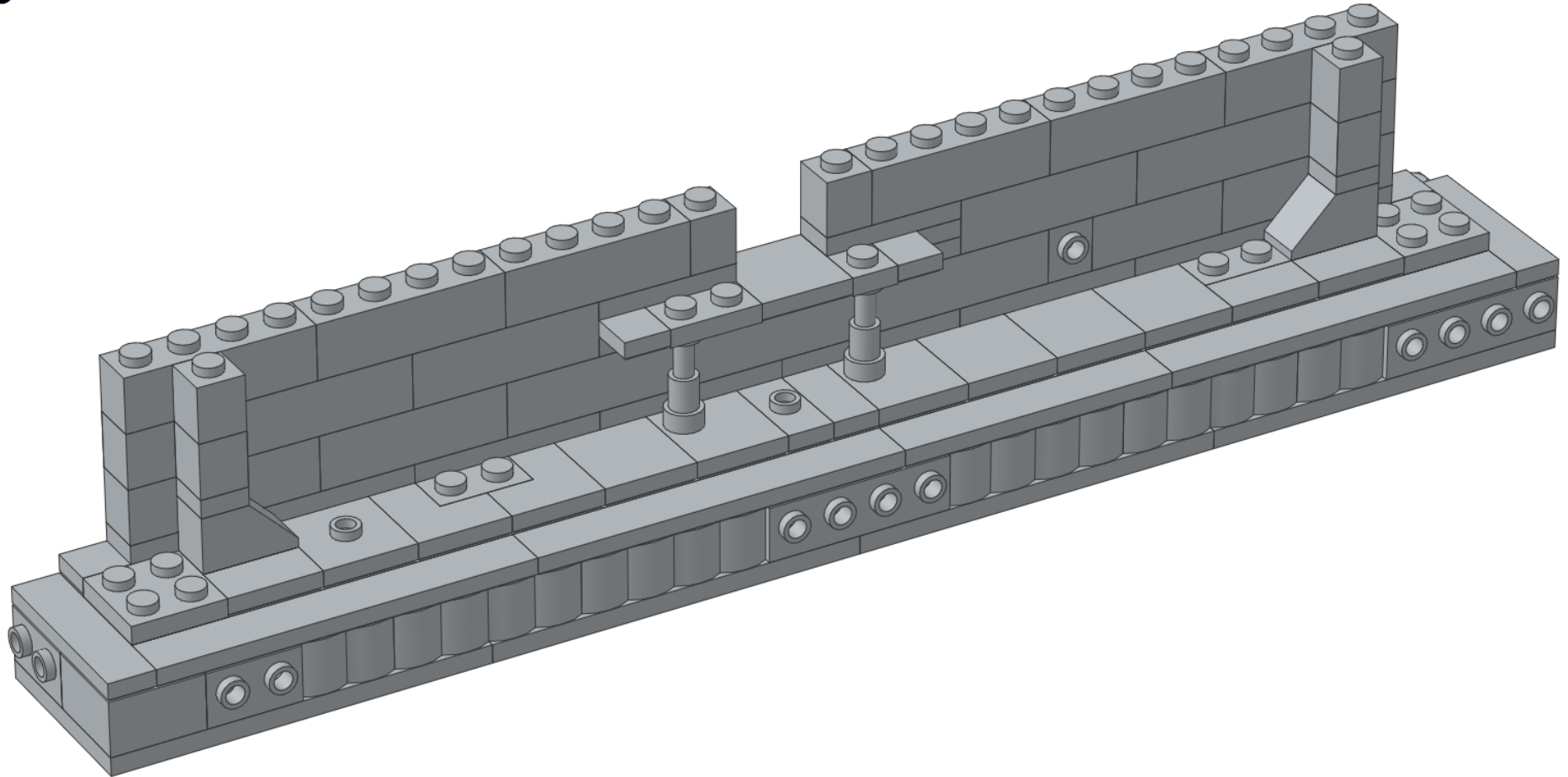


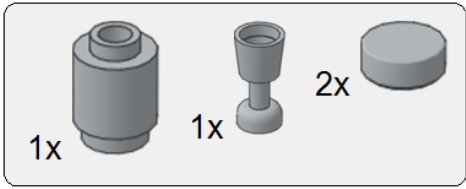
12



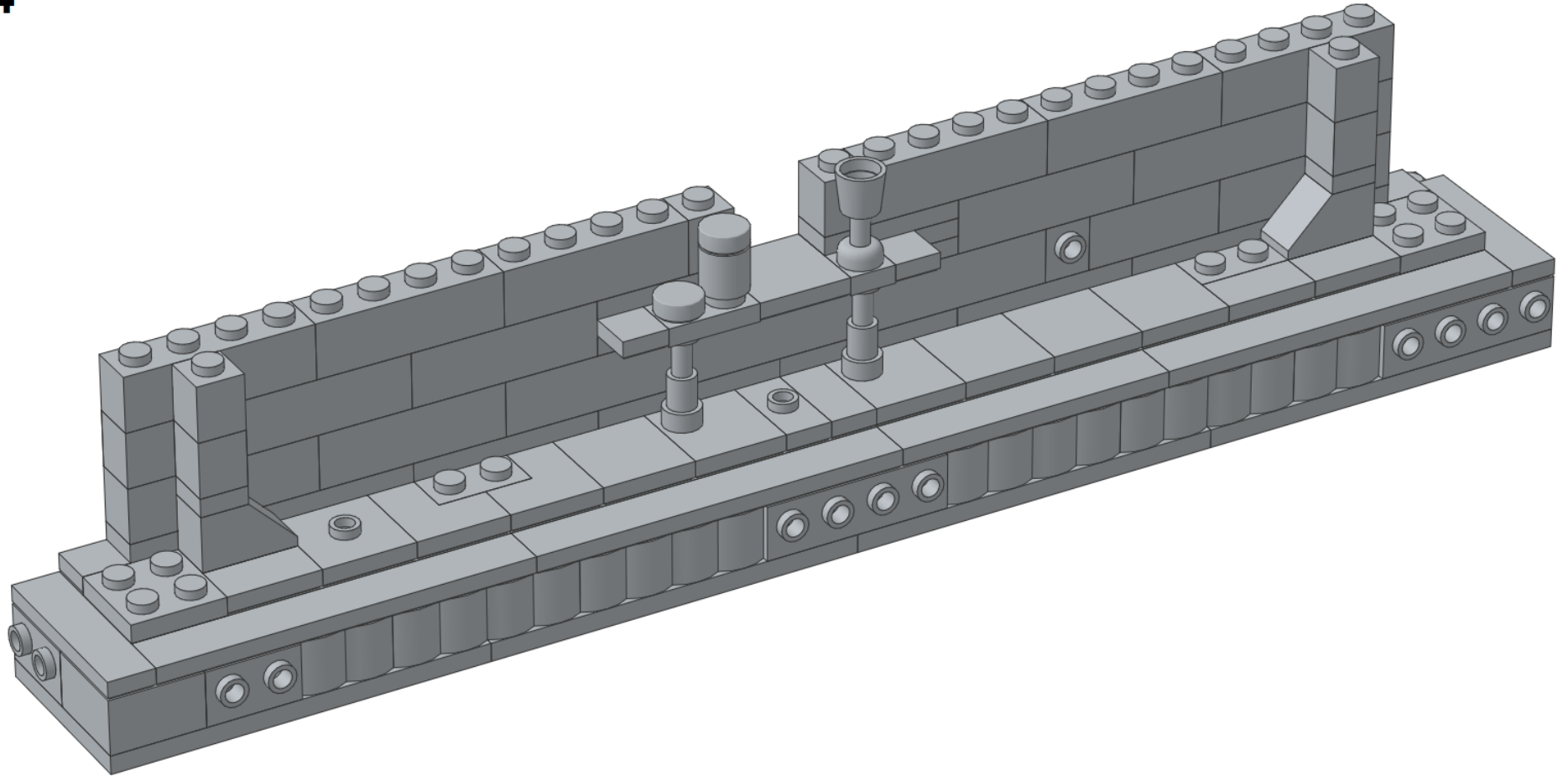


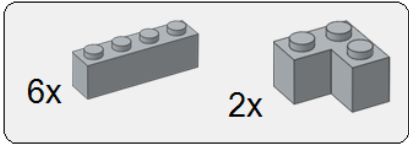
13



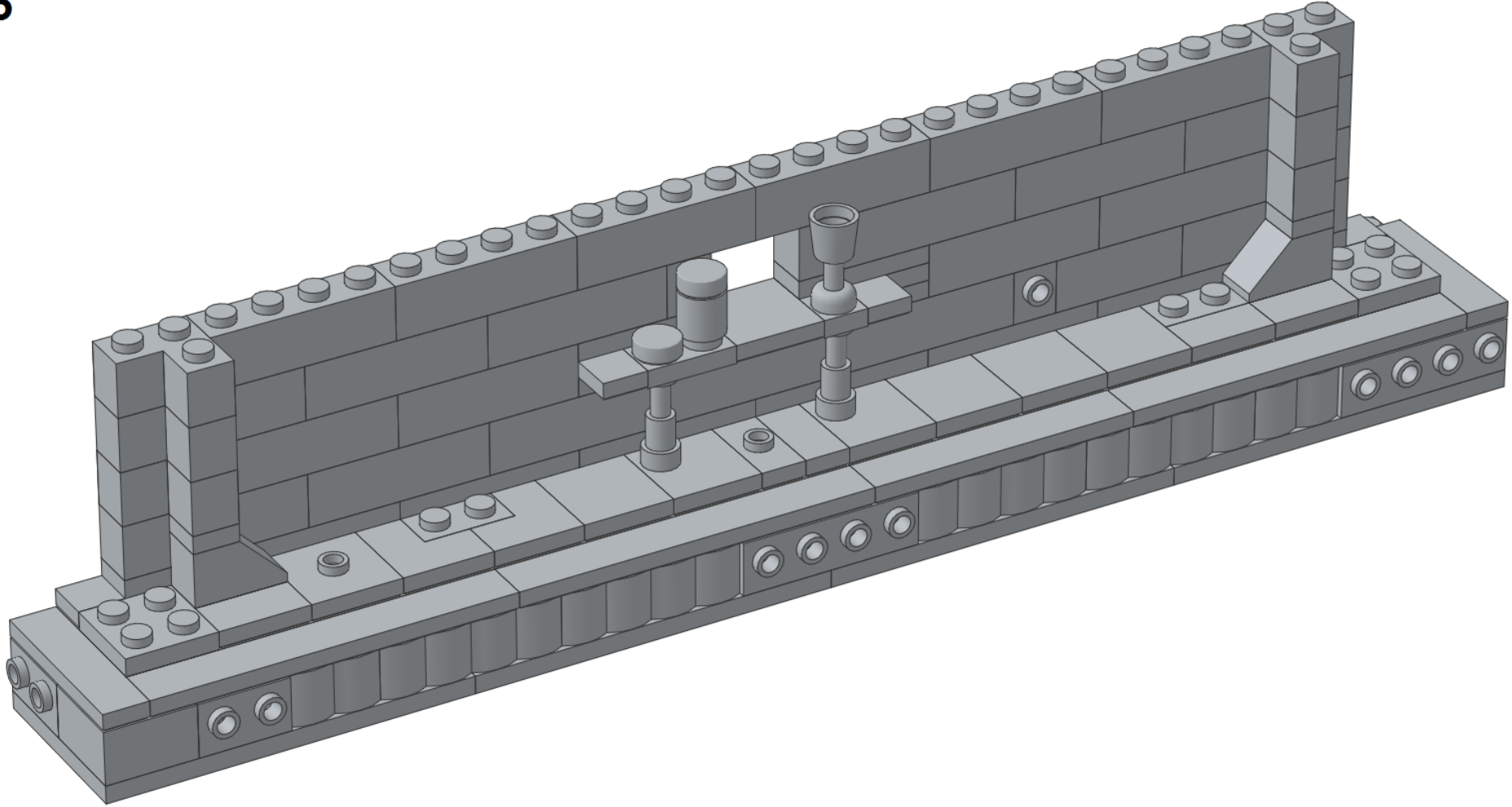


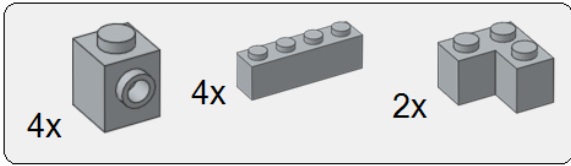
14



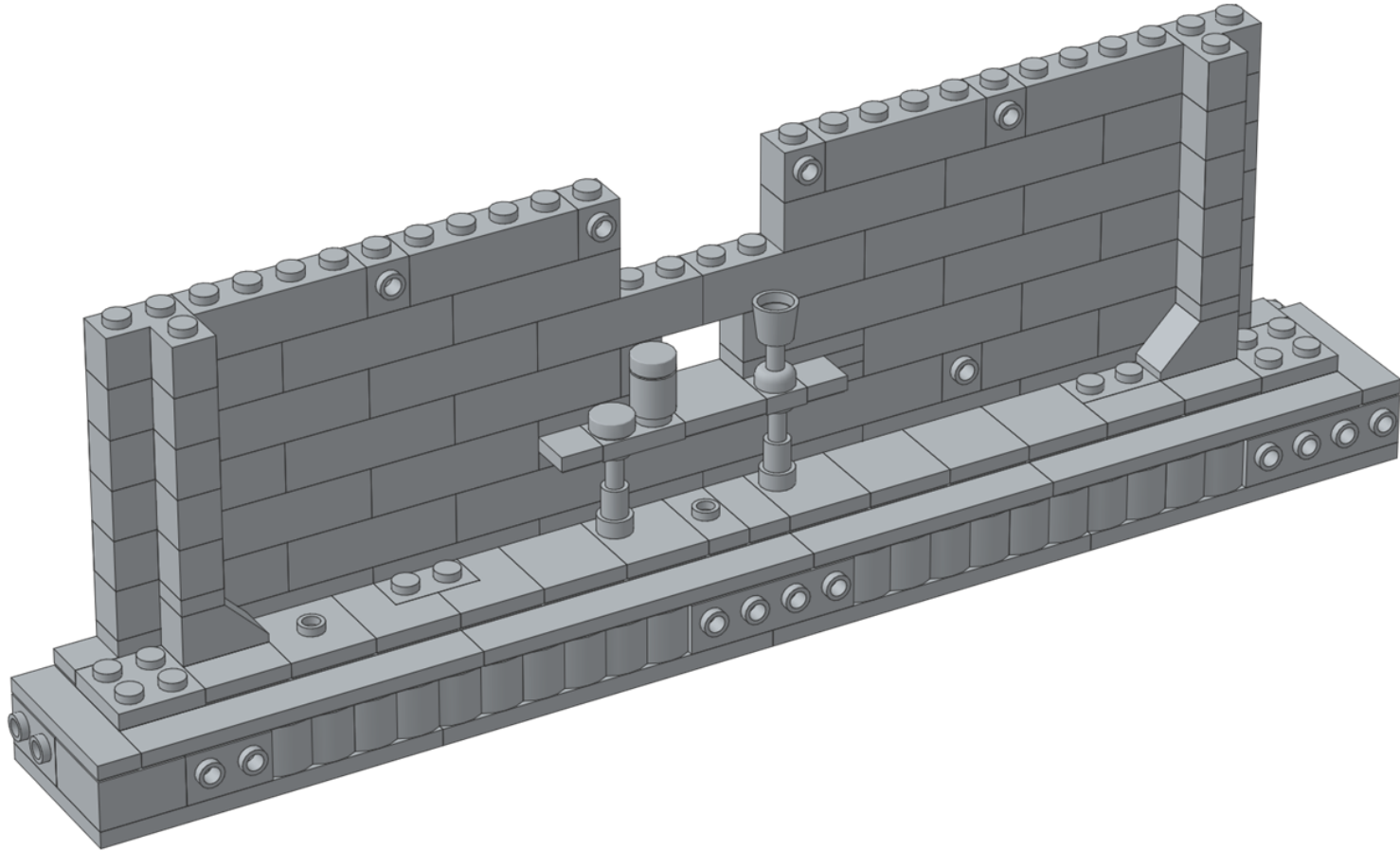


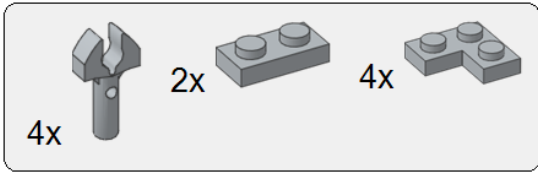
15



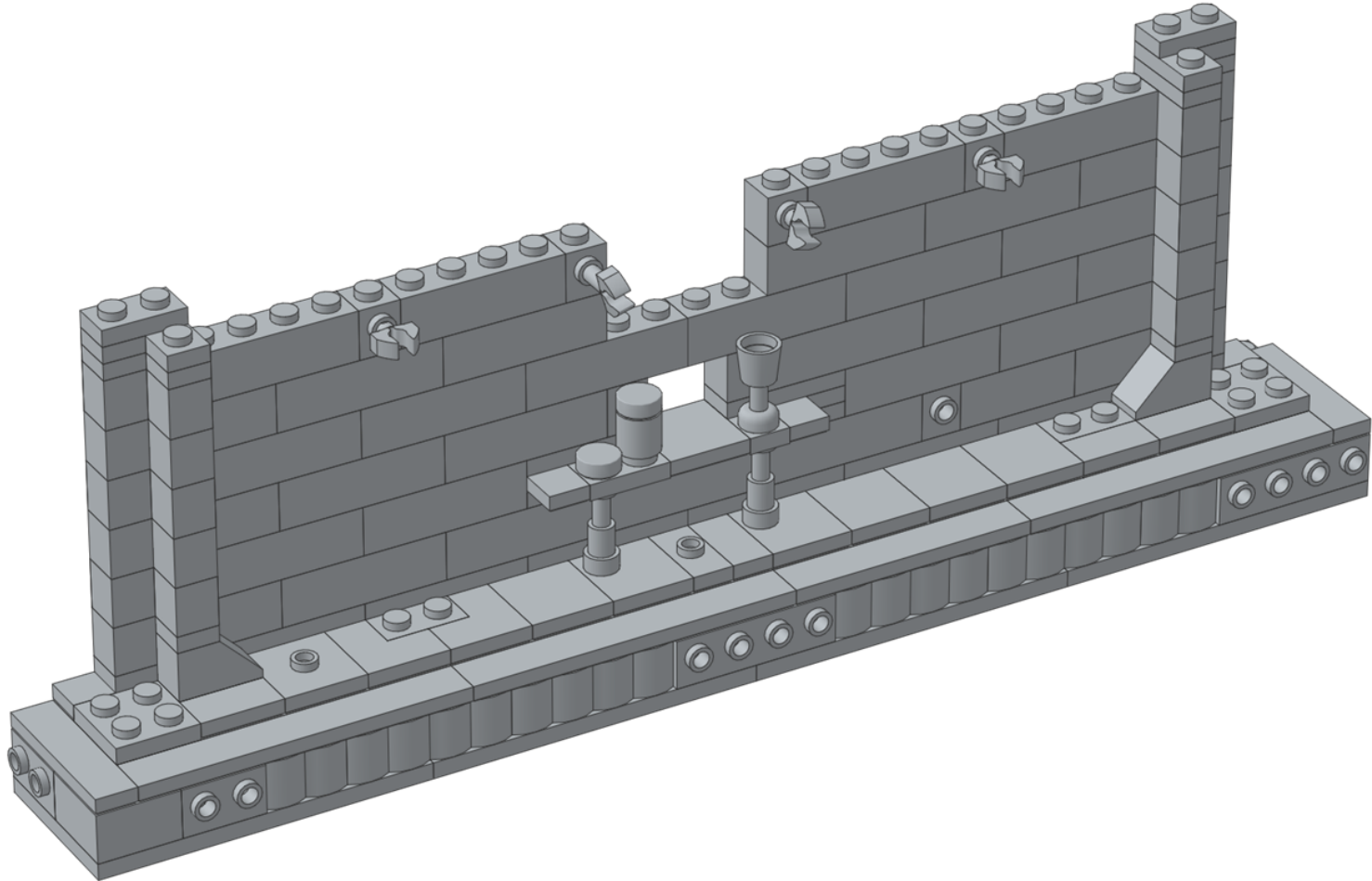


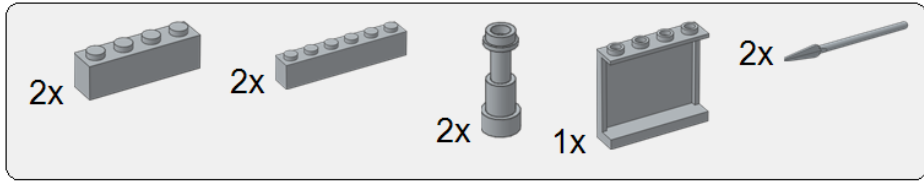
17



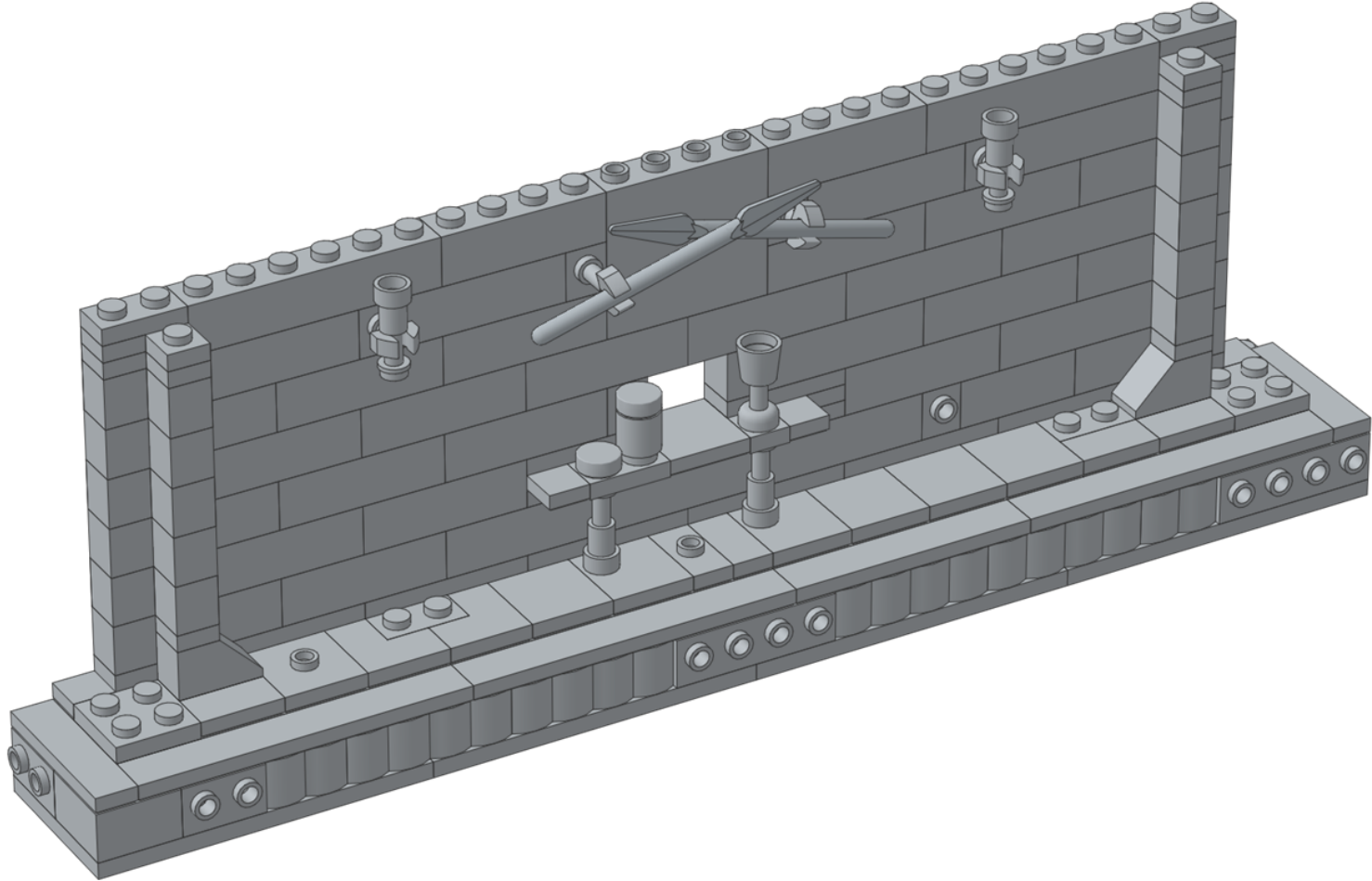


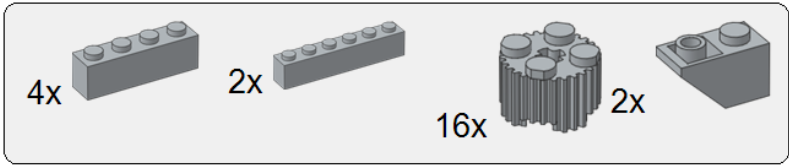
18



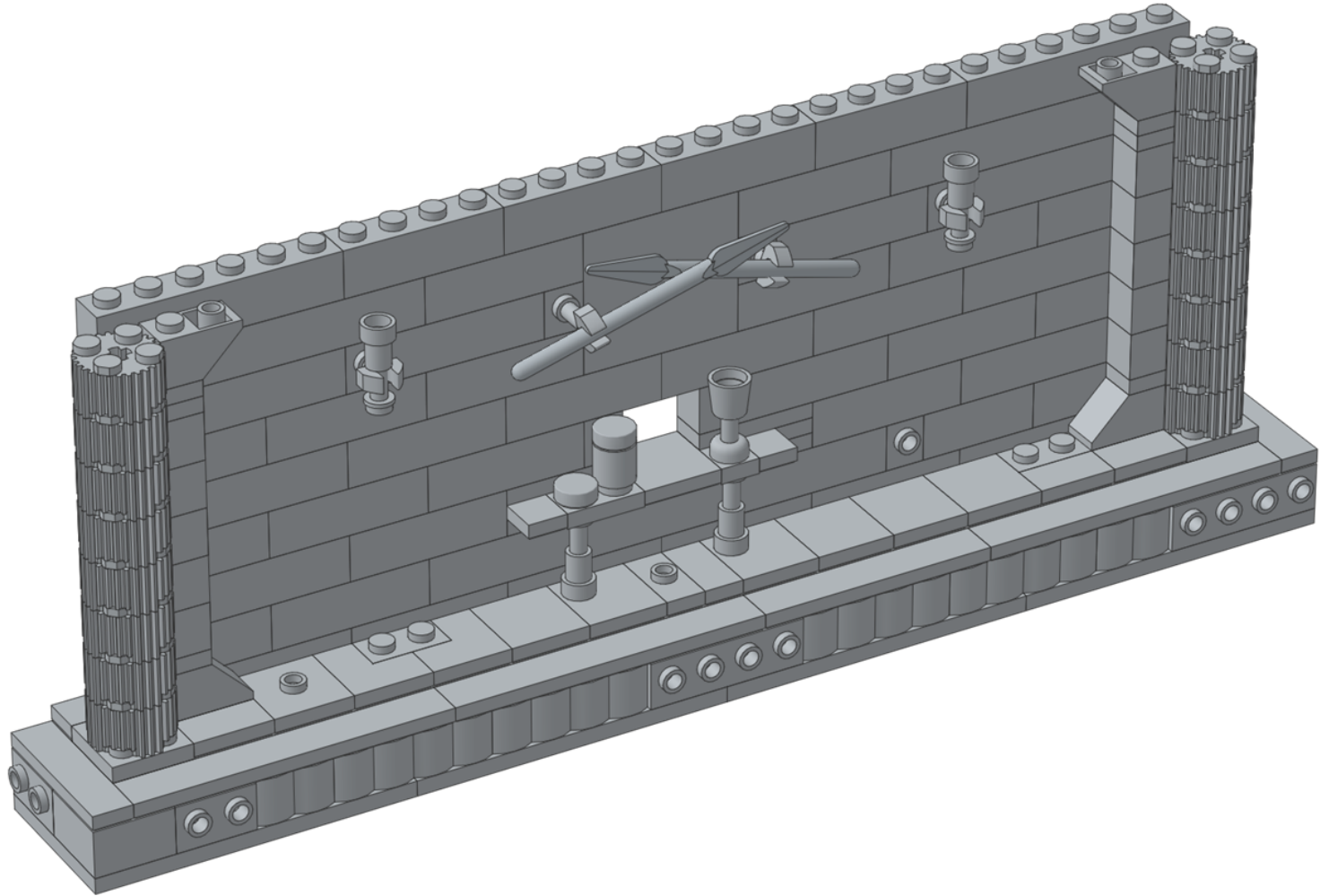


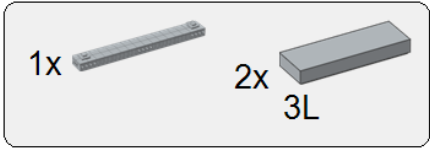
19



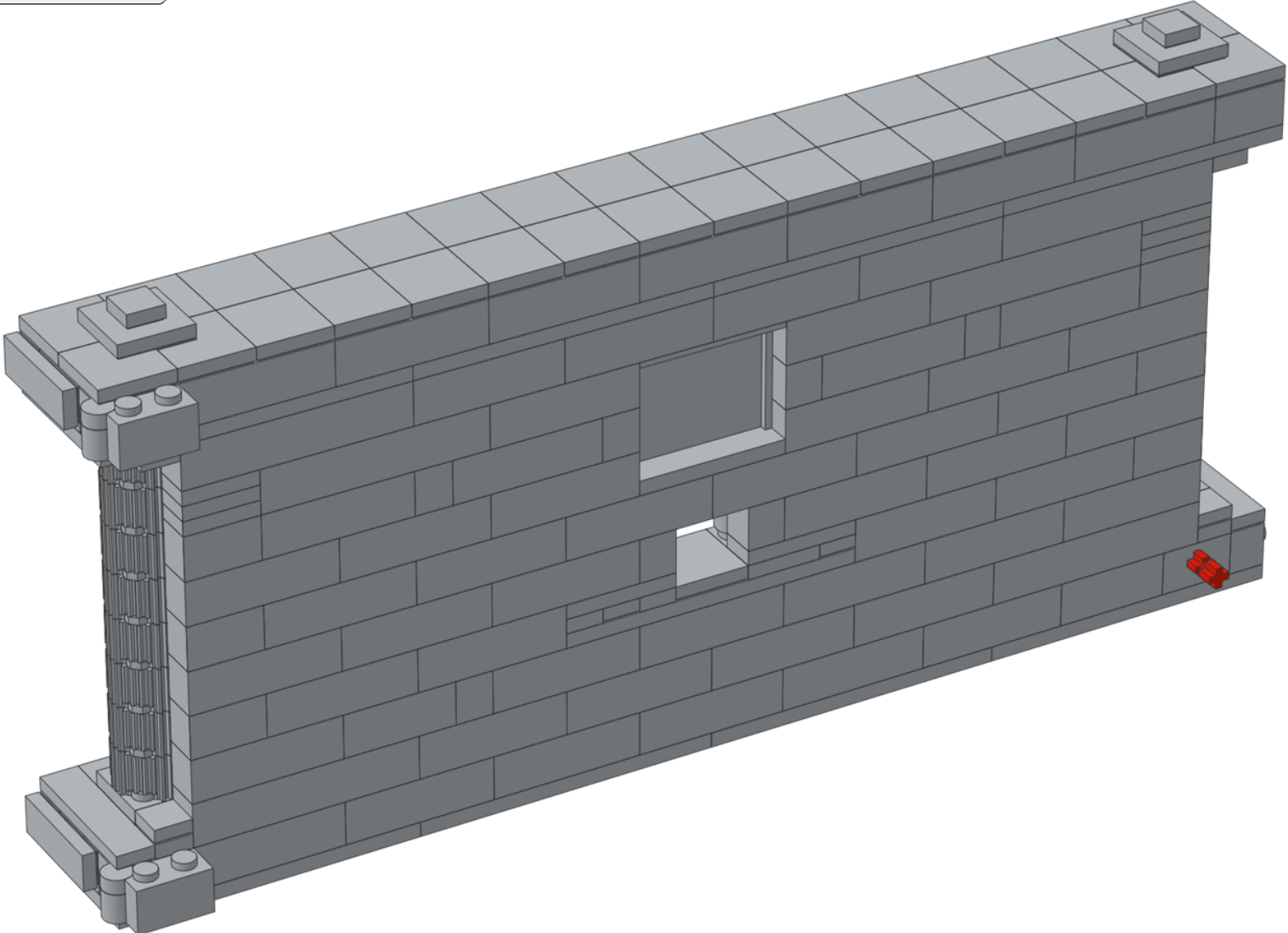


20



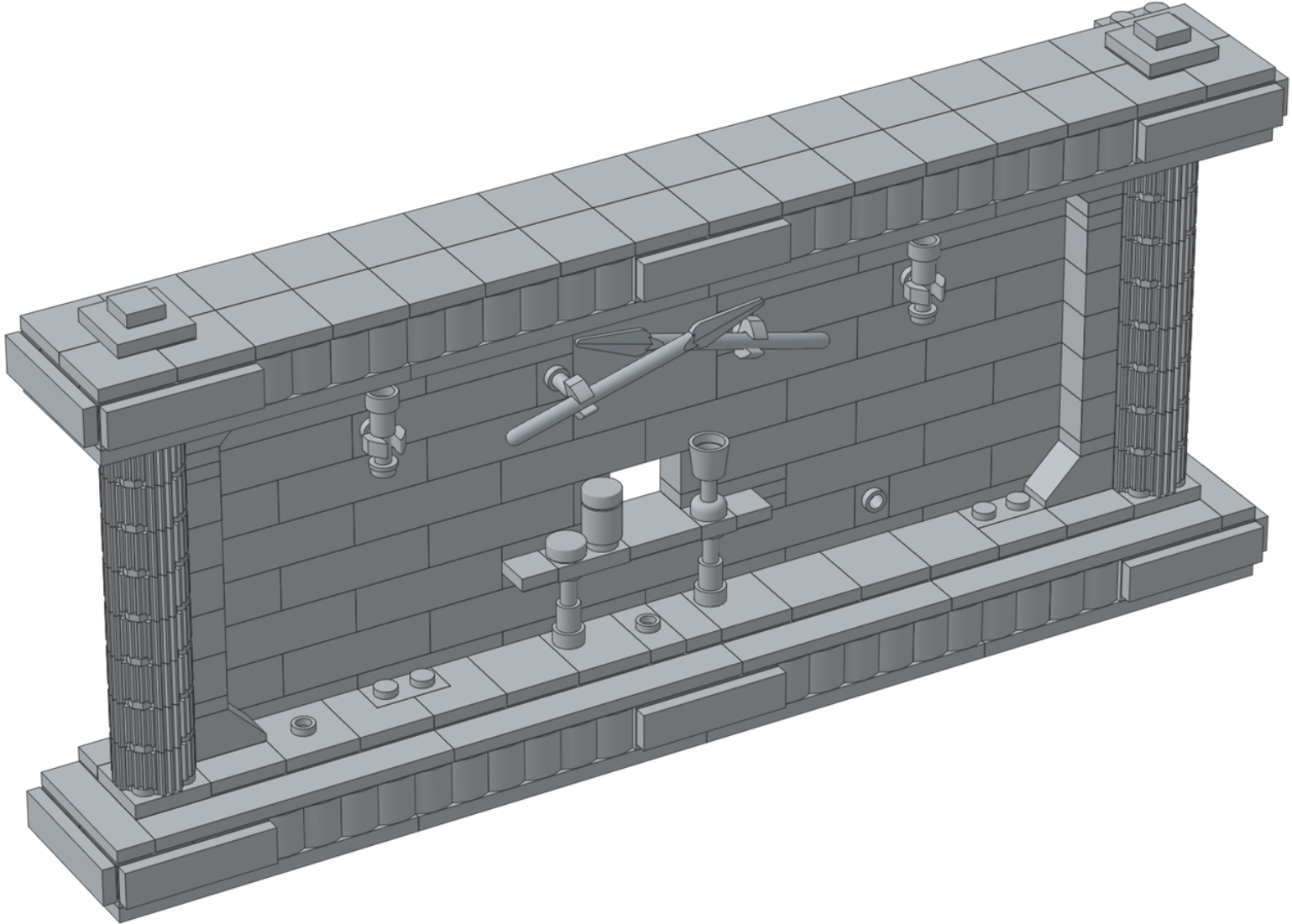


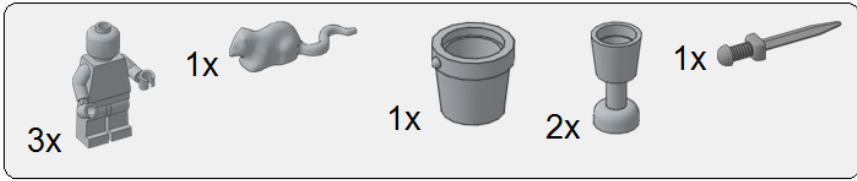
21



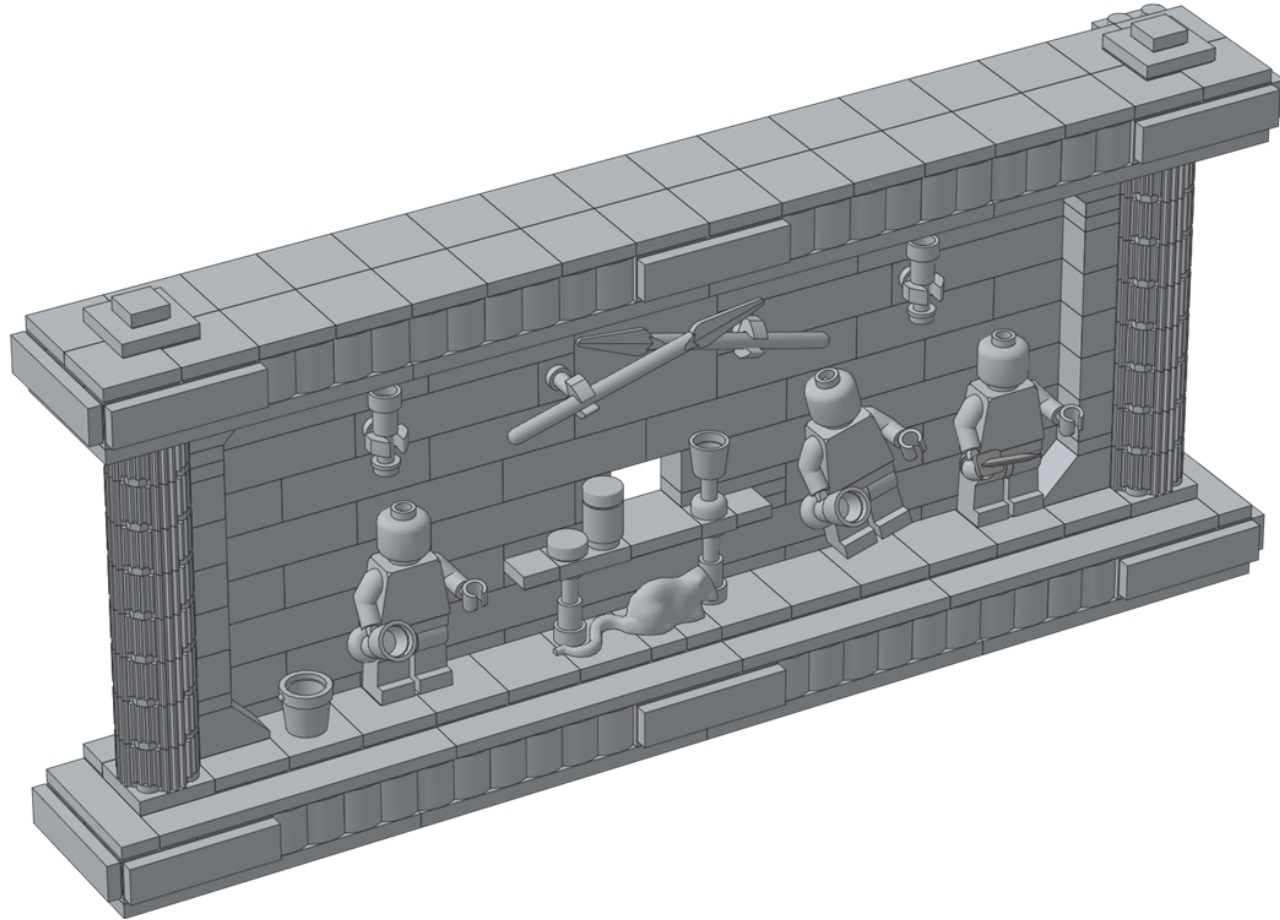
8x
4L

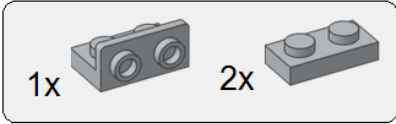
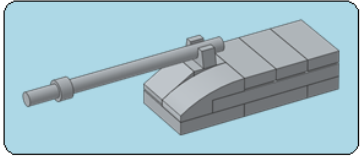
22



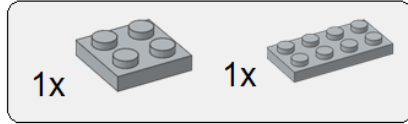
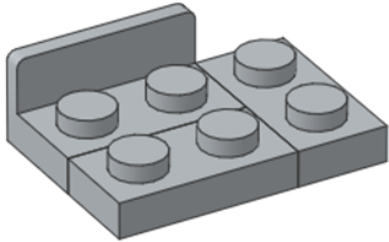


23

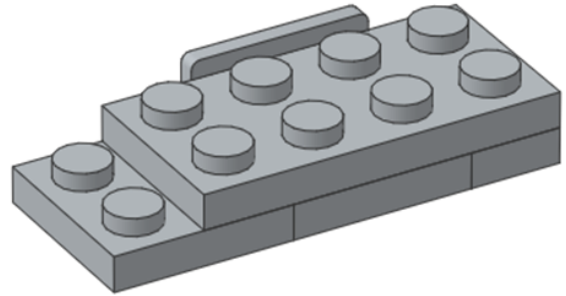


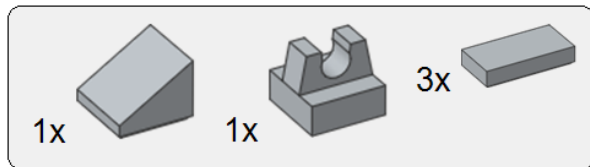


1

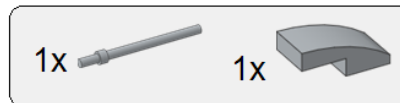
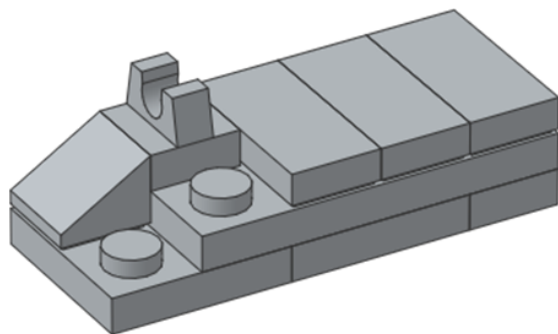


2

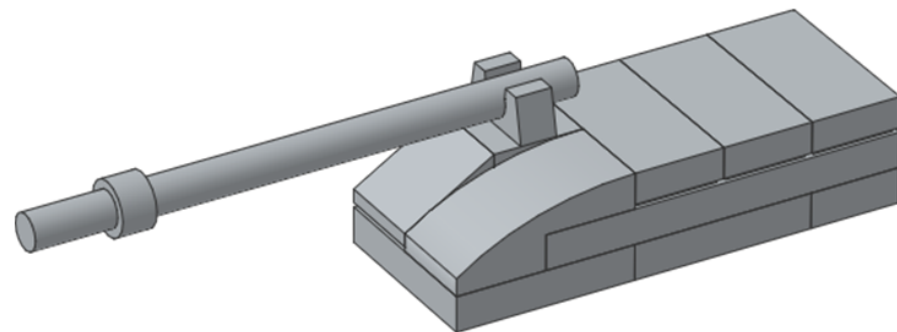


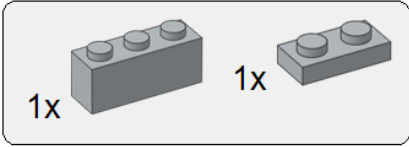
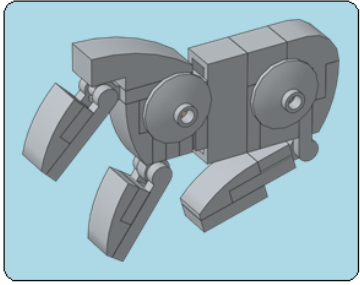


3

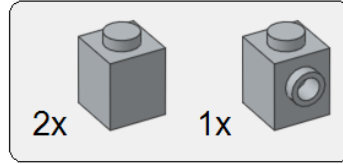
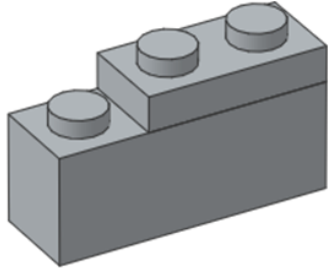


4

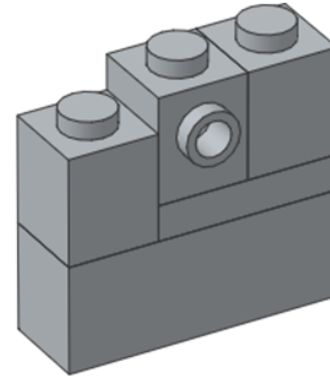


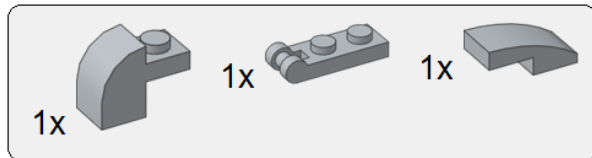


1

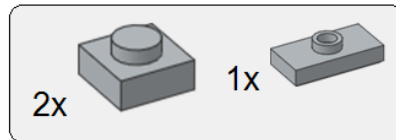
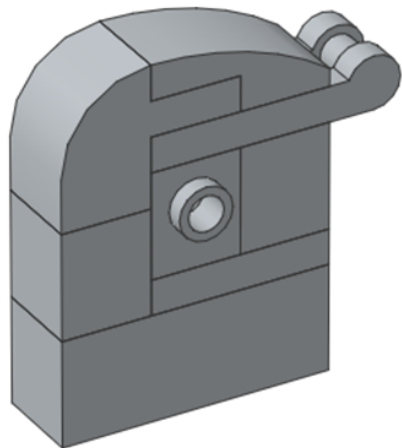


2

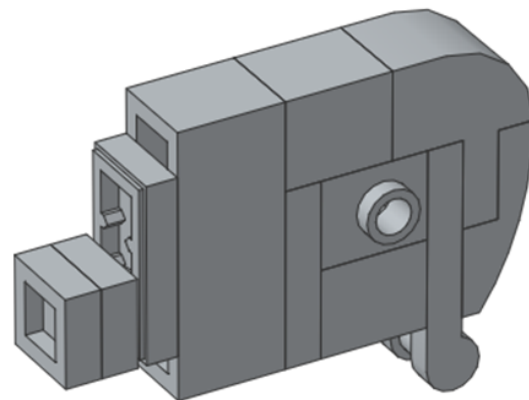


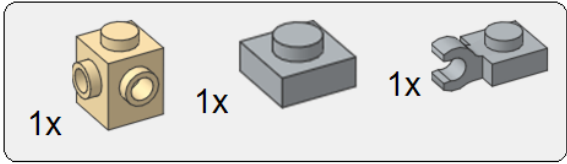


3

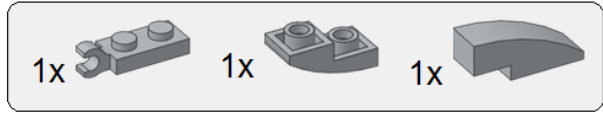
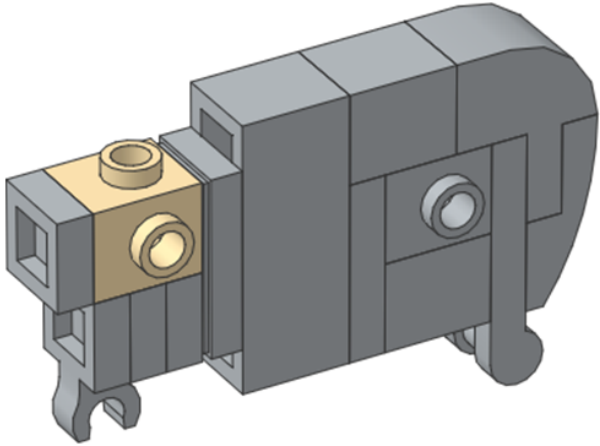


4

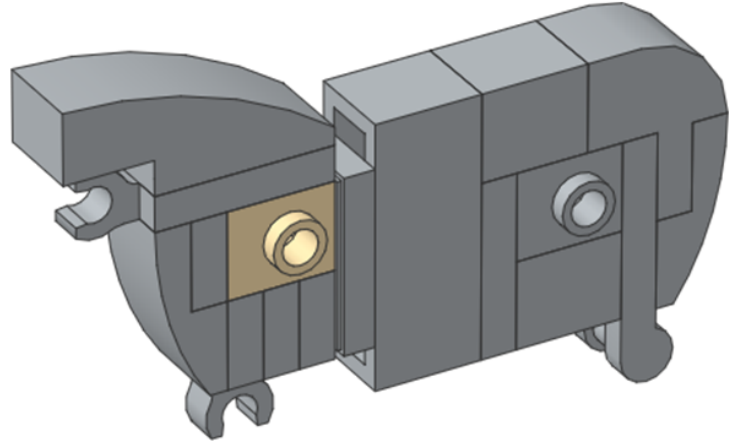


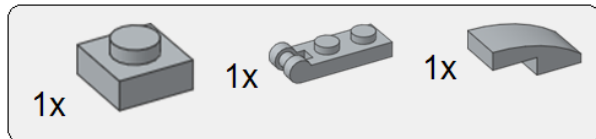


5

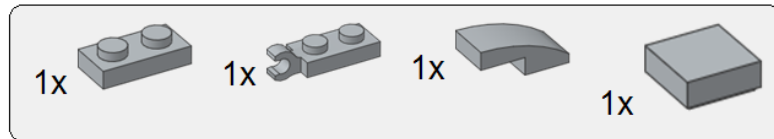
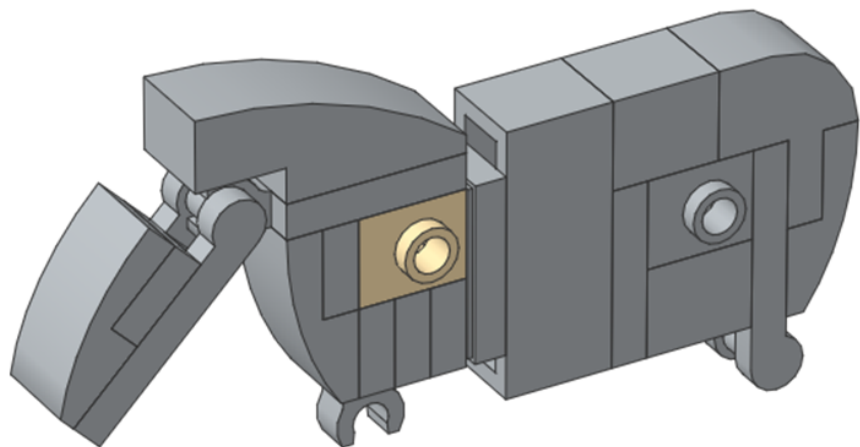


6

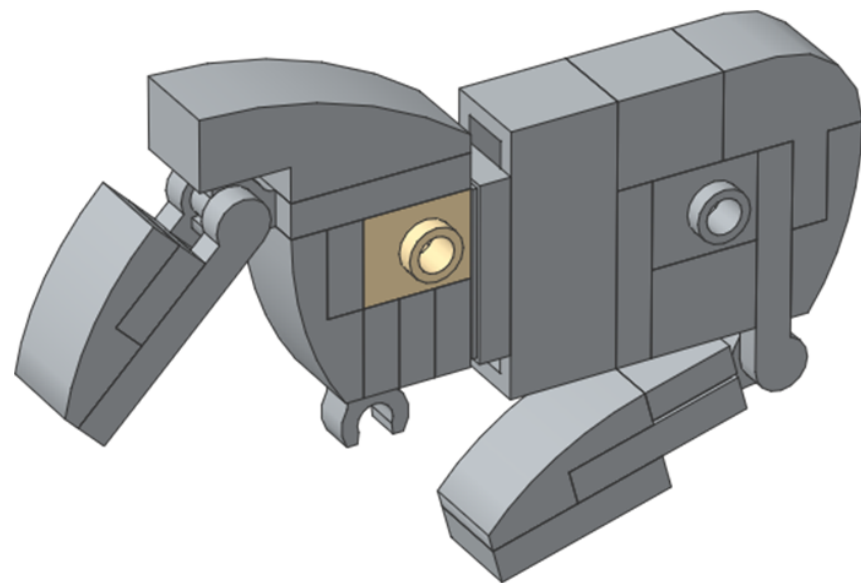


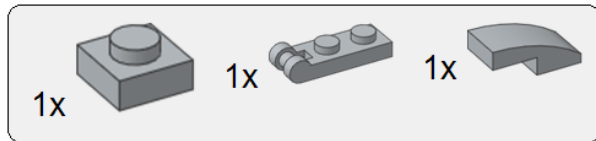


7

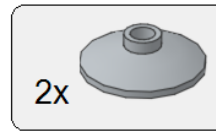
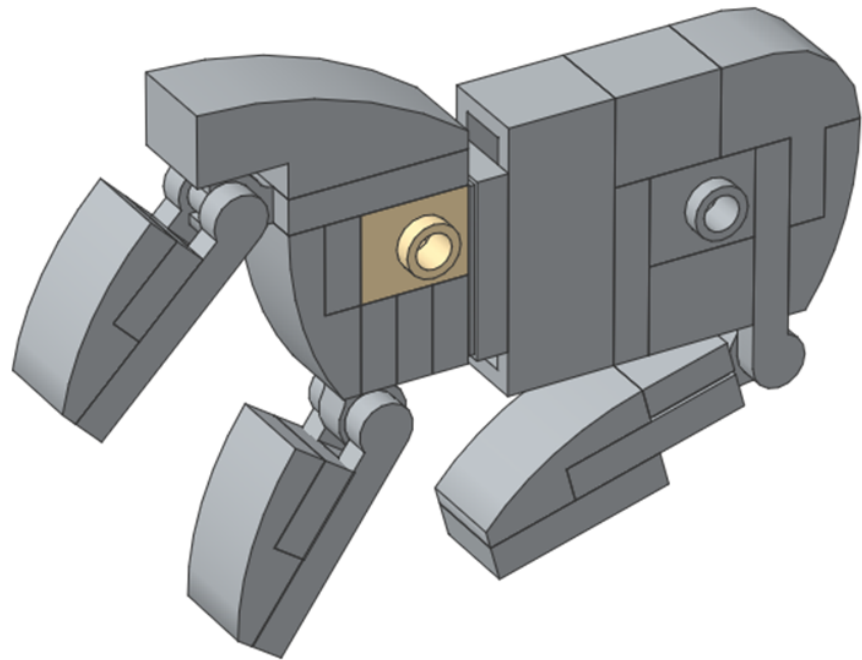


8

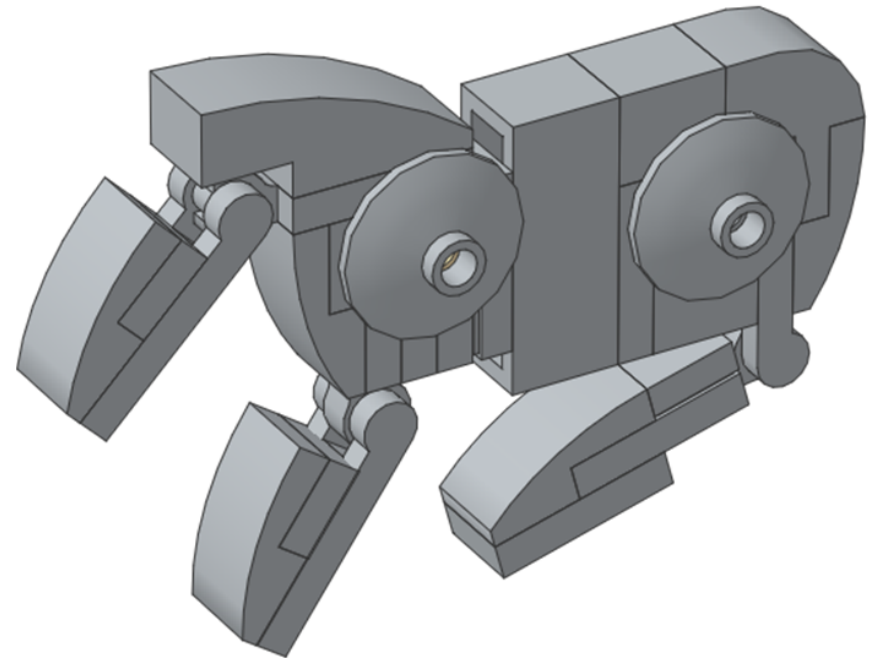


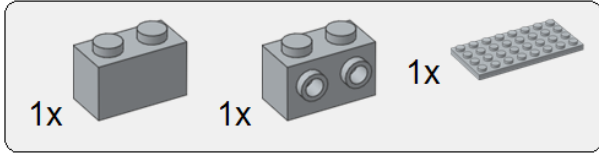
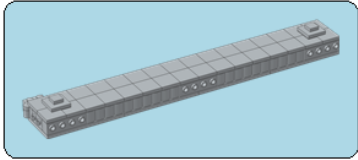


9

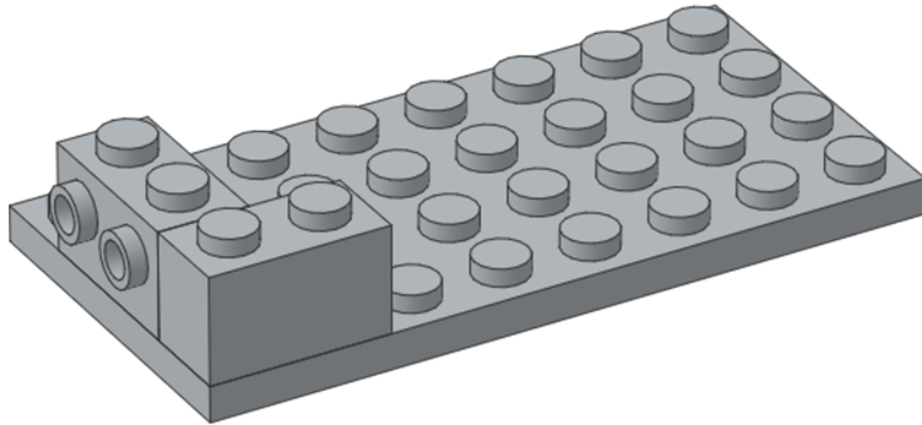


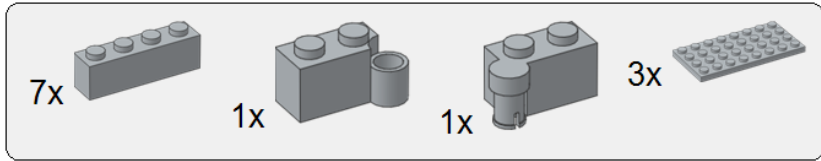
10



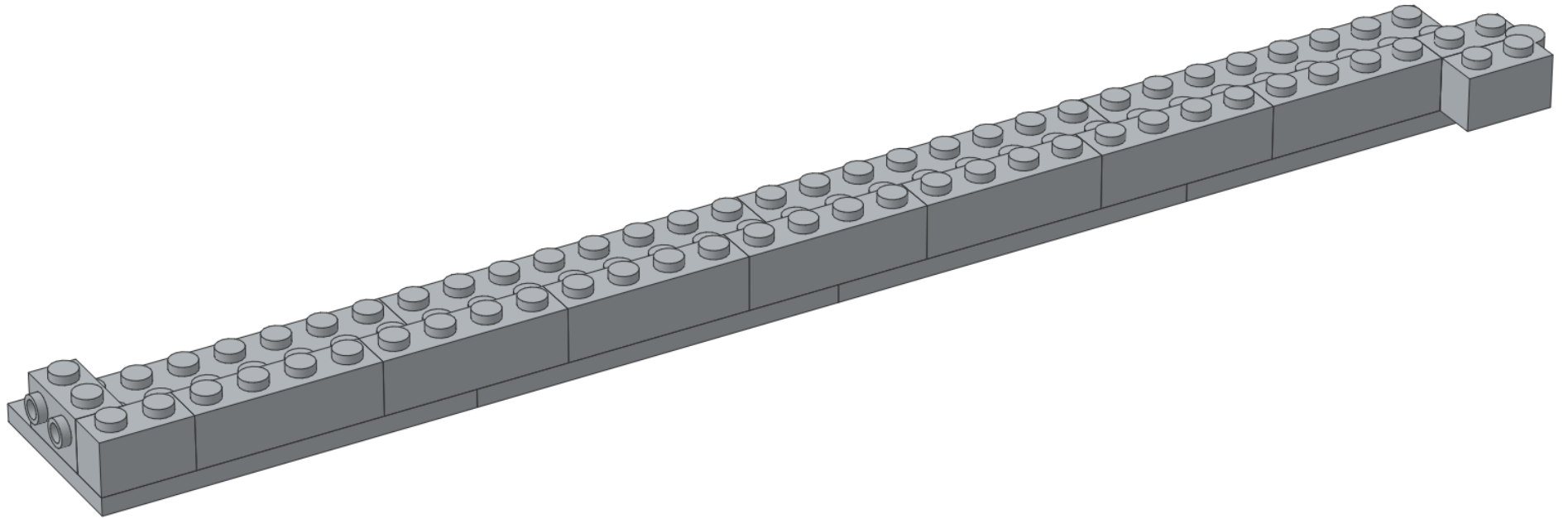


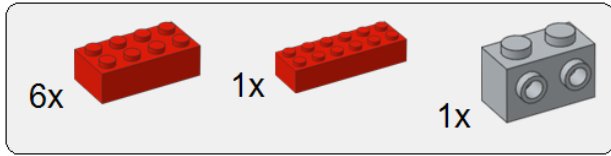
1



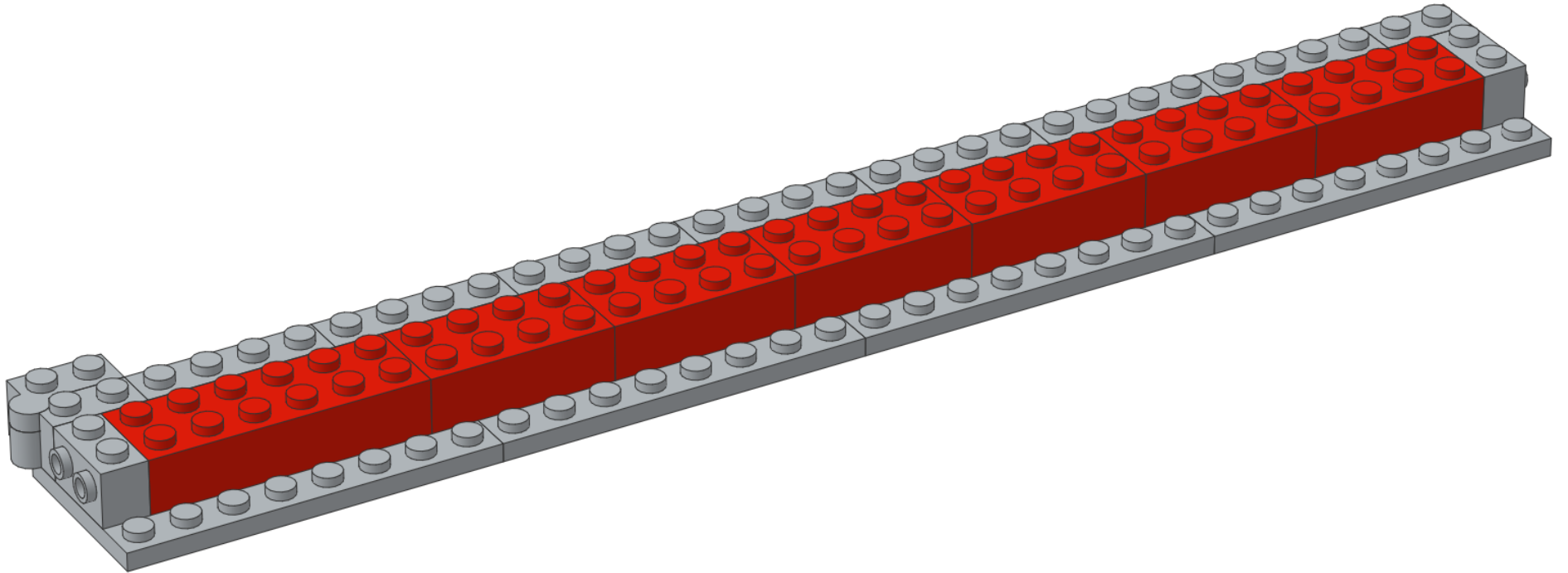


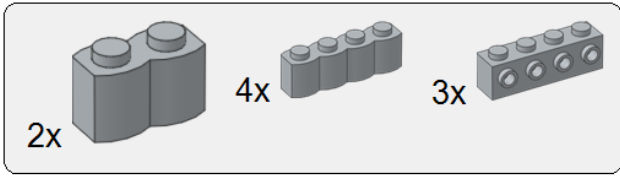
2



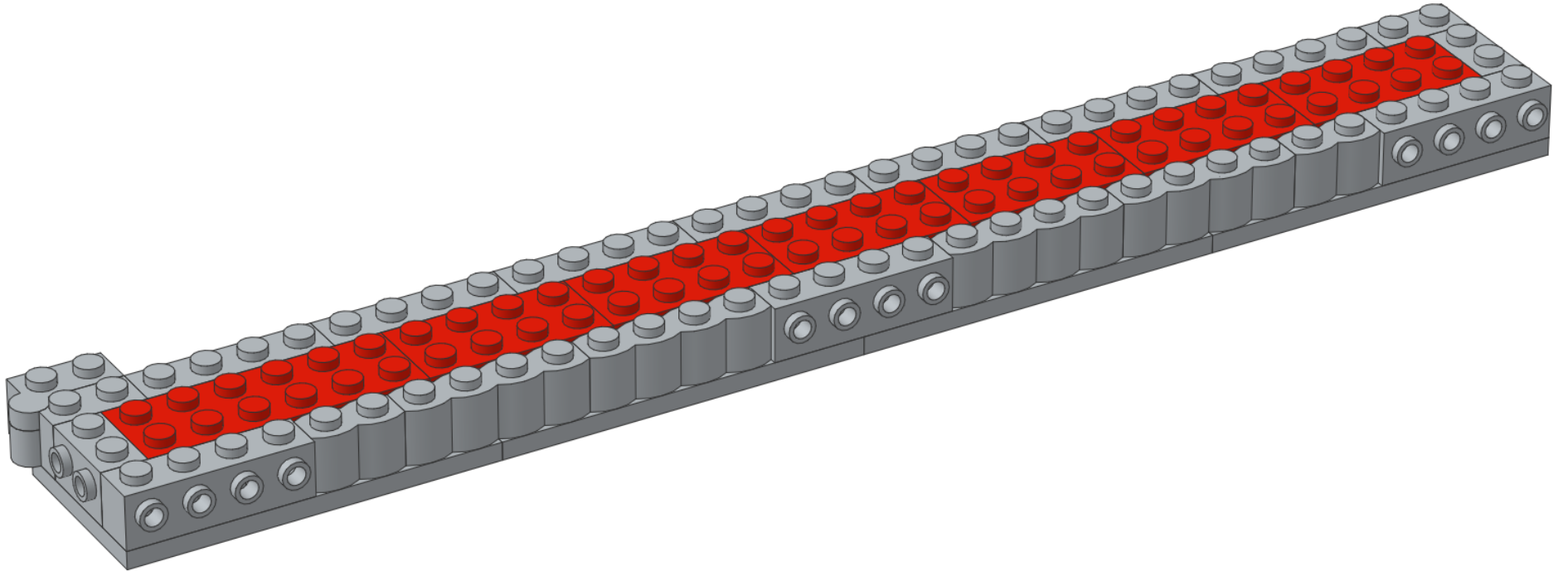


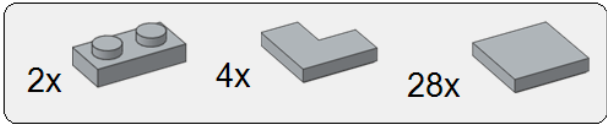
3



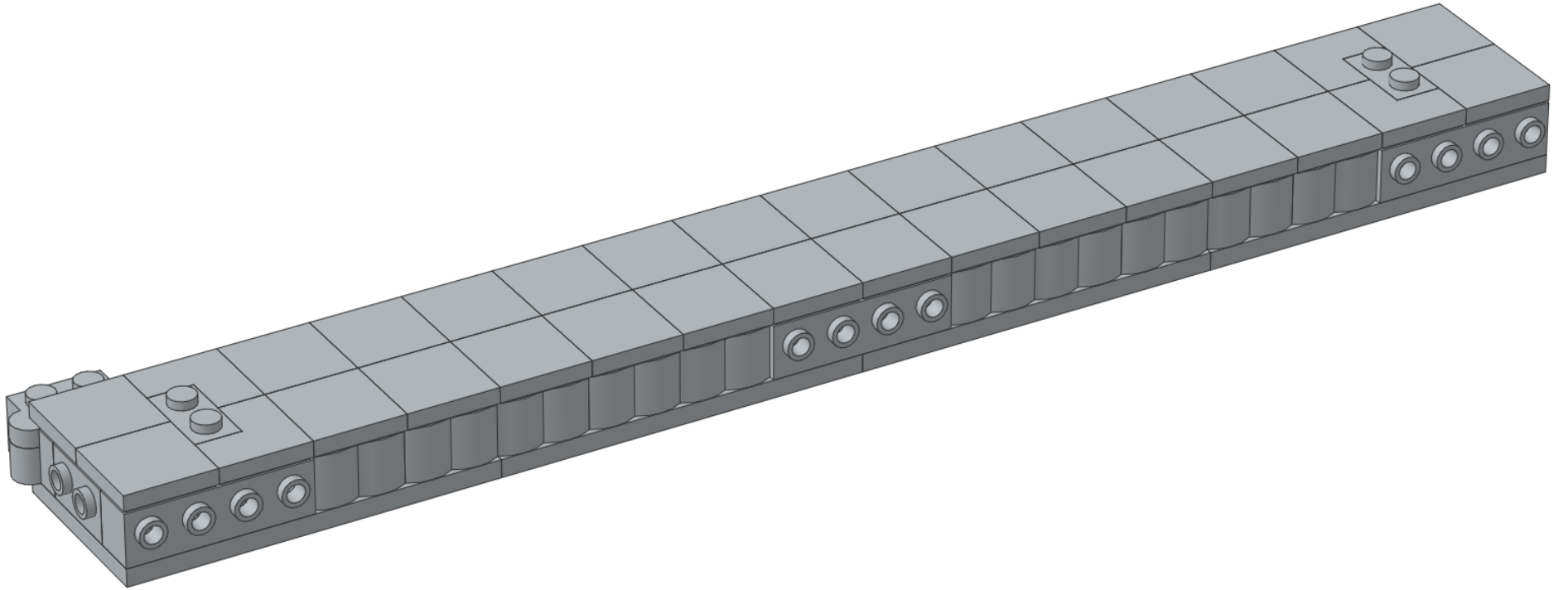


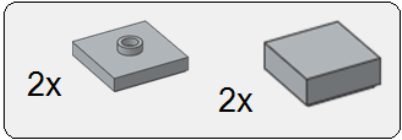
4



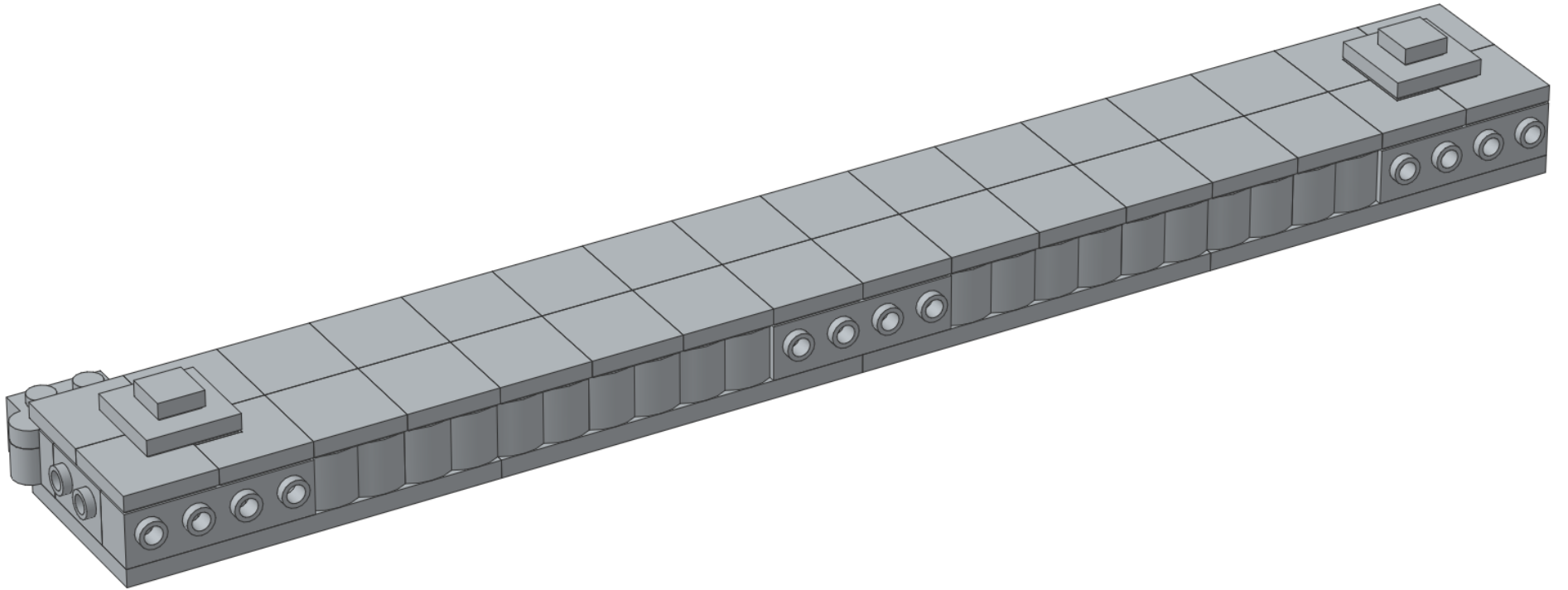


5



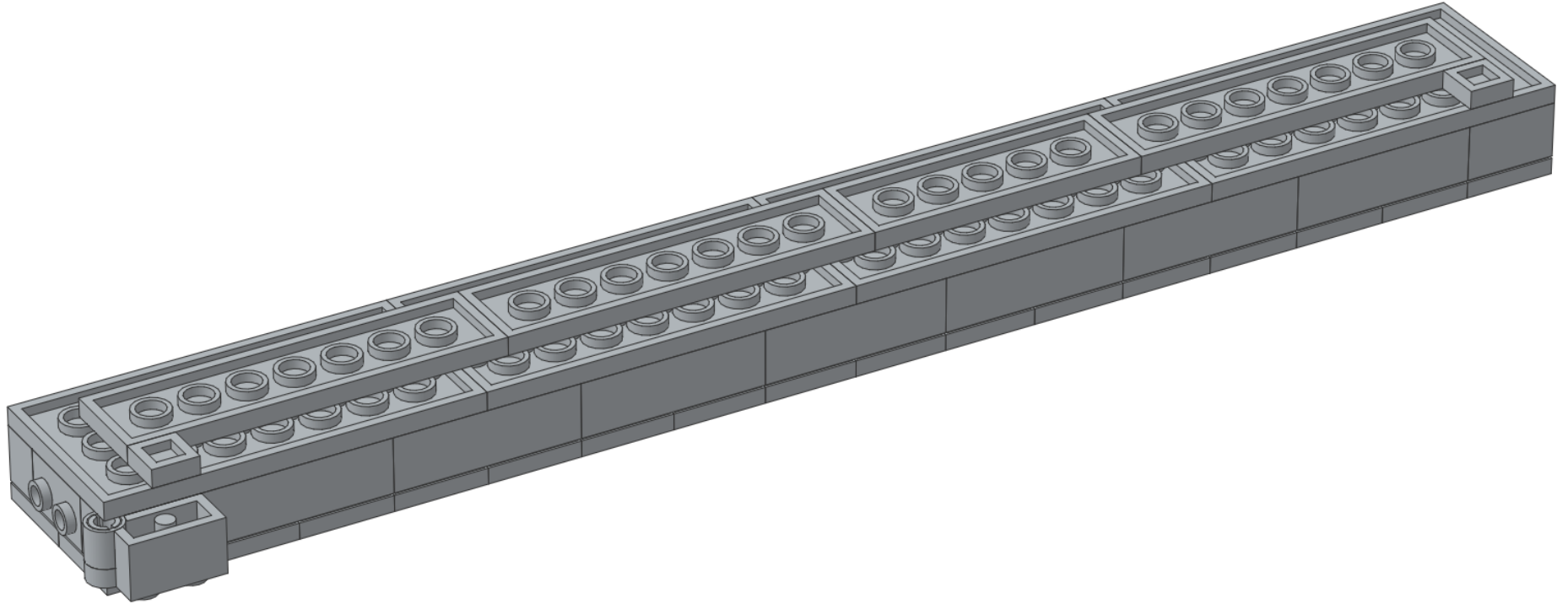


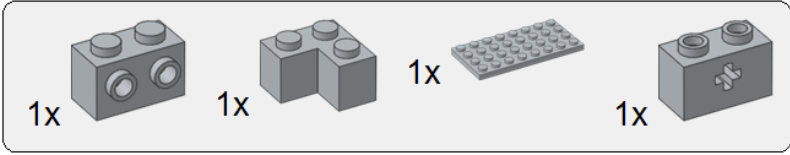
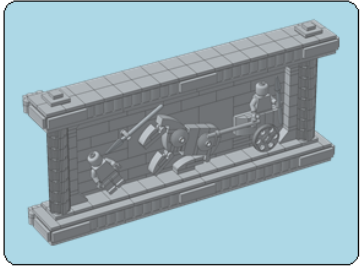
6



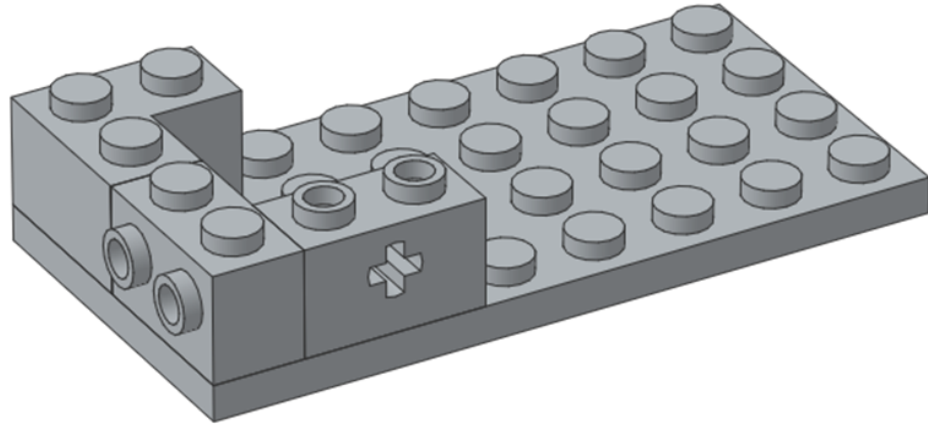


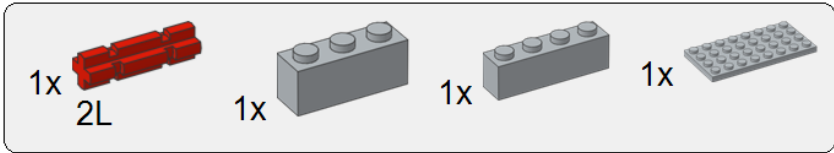
7



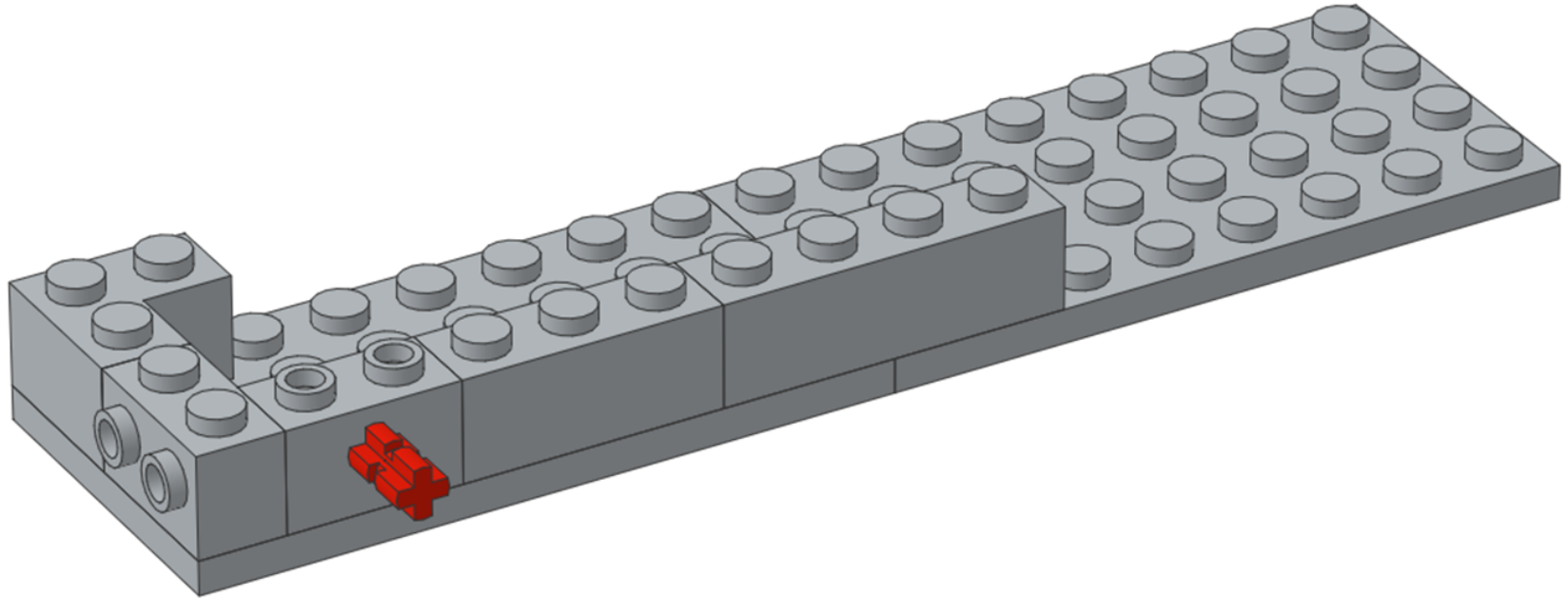


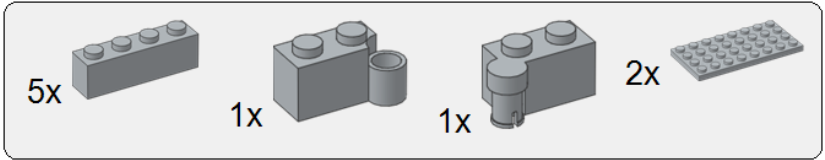
1



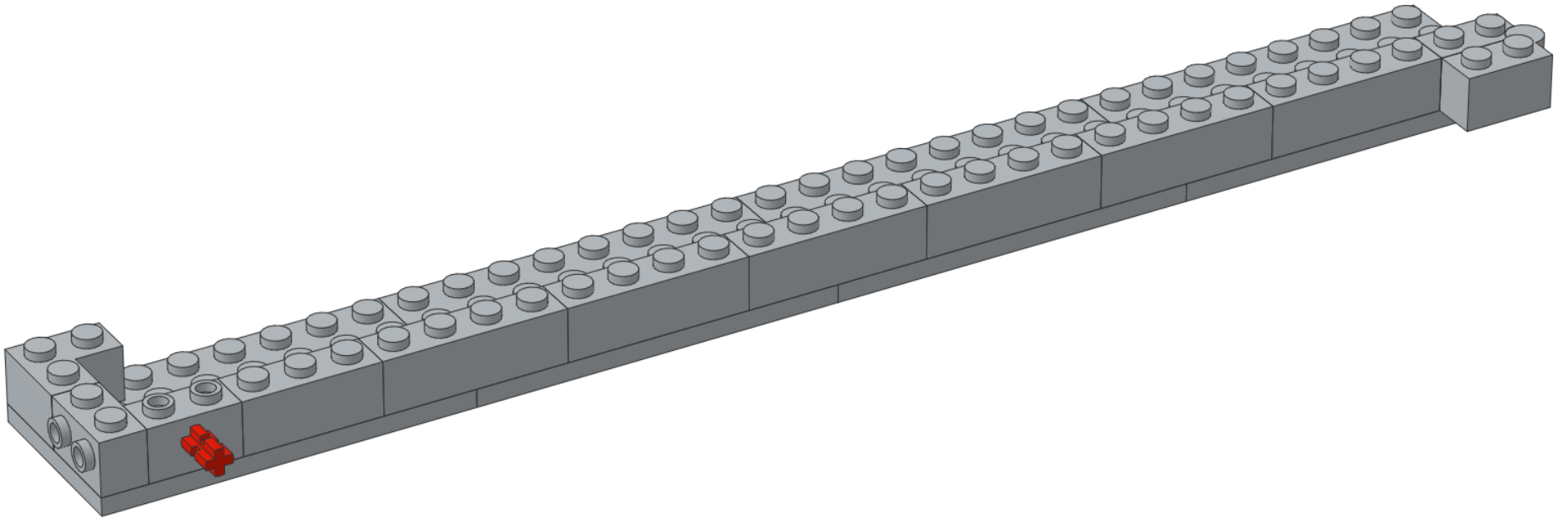


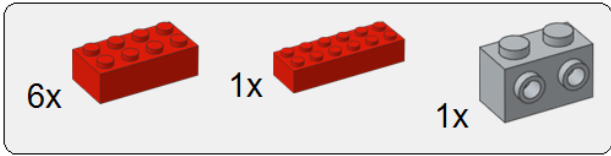
2



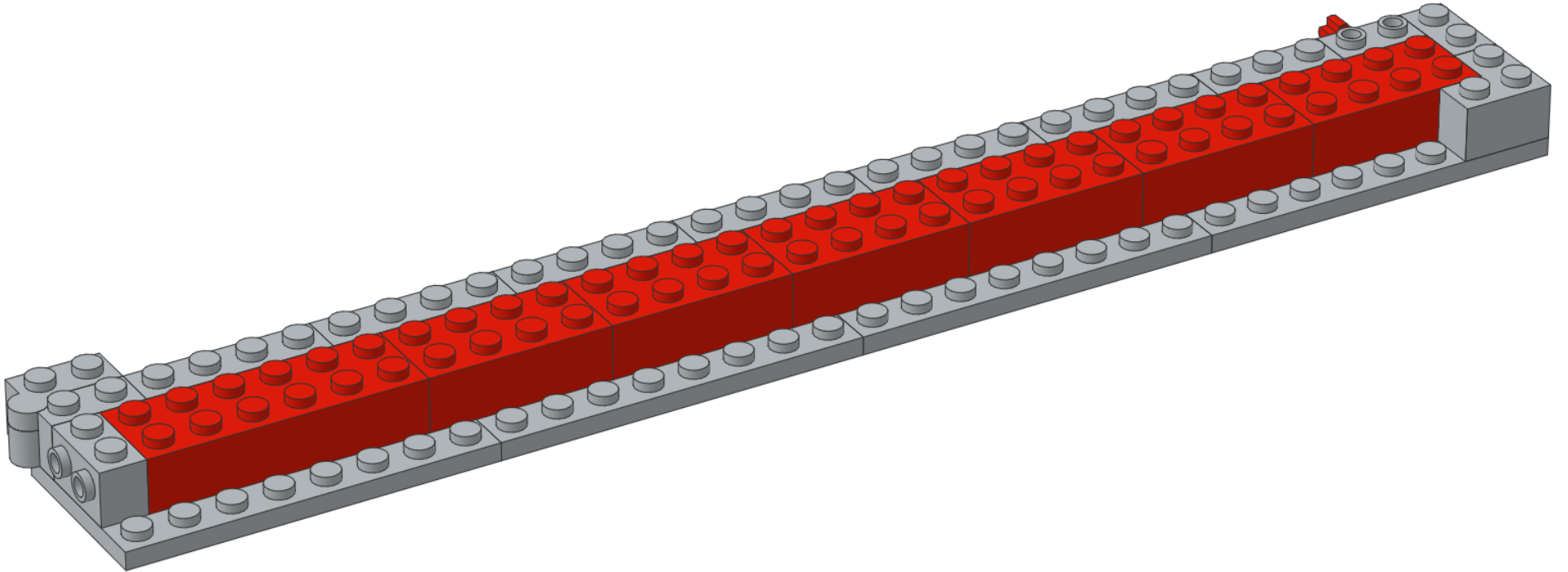


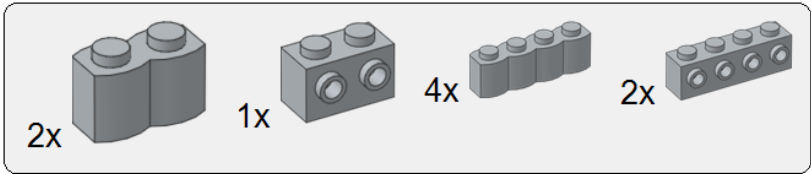
3



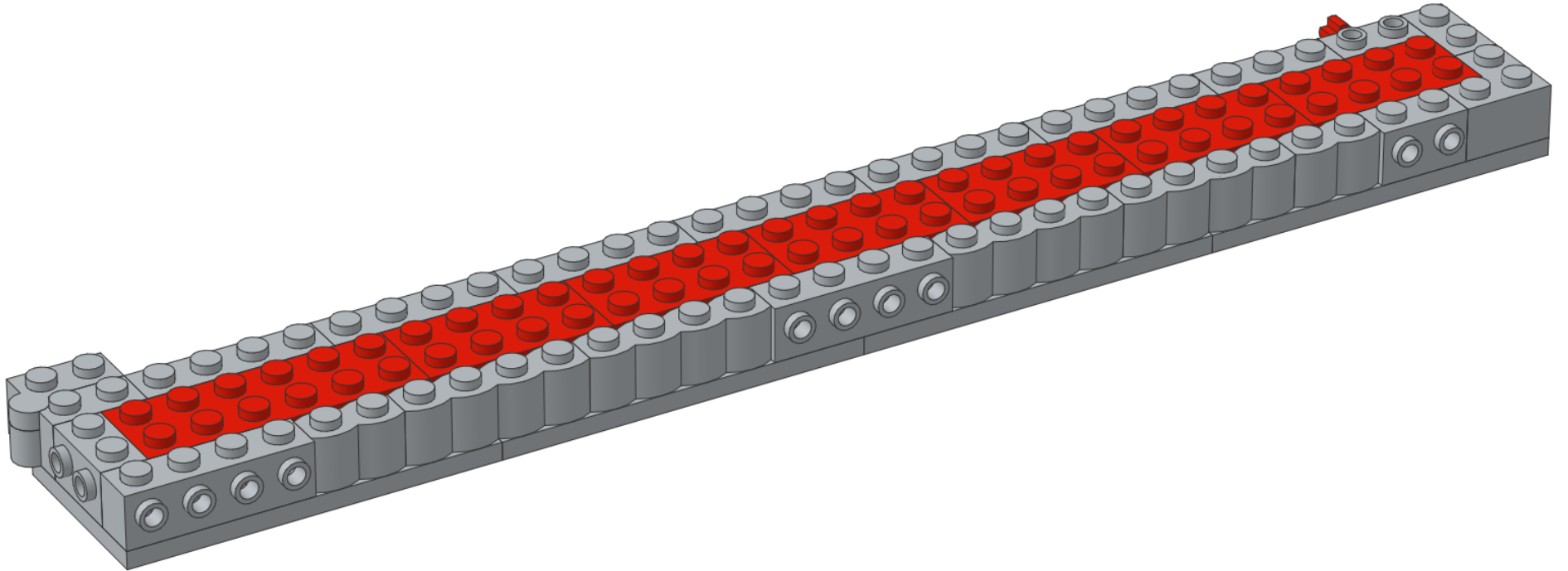


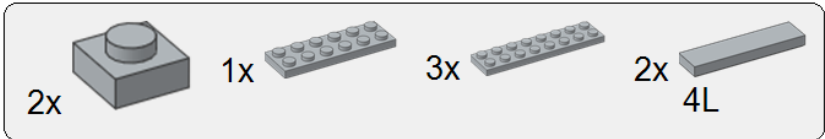
4



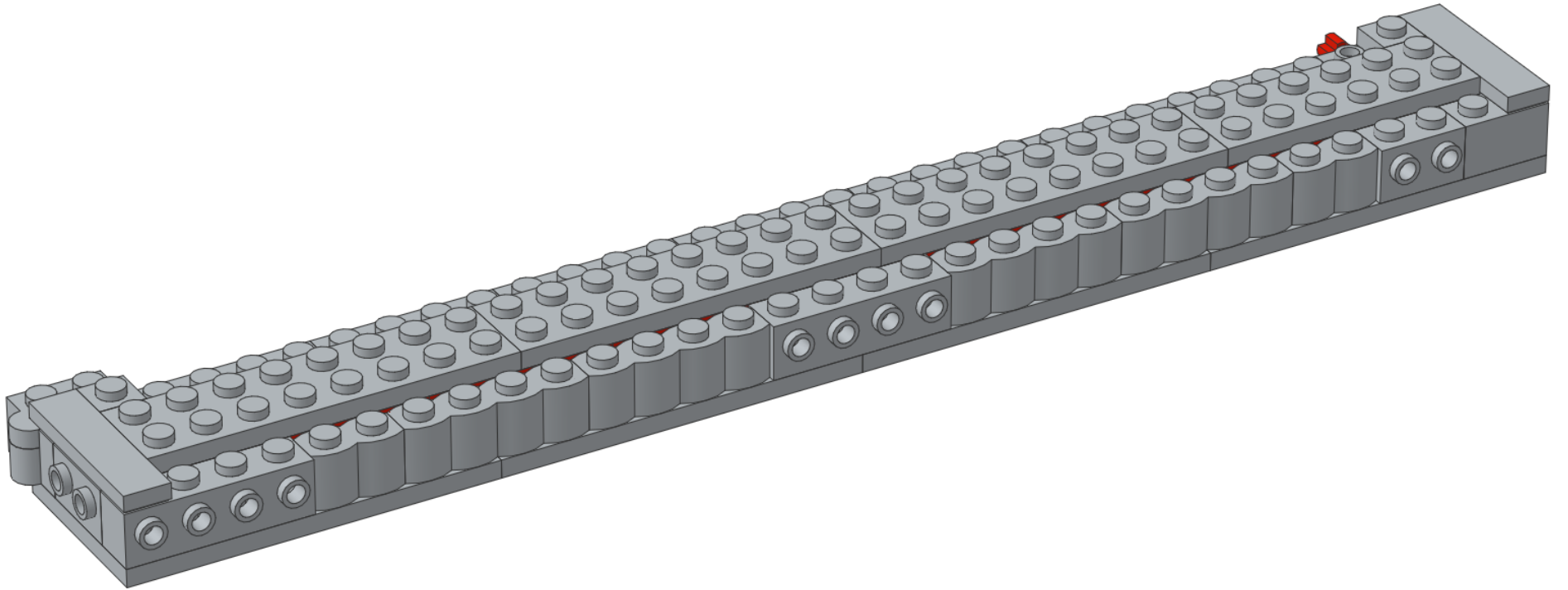


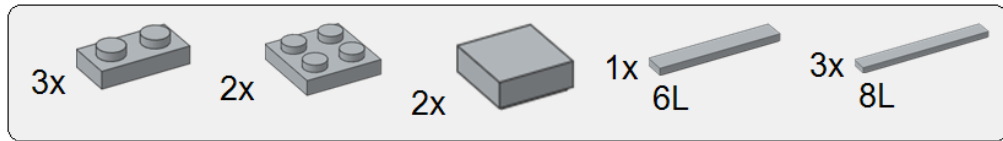
5



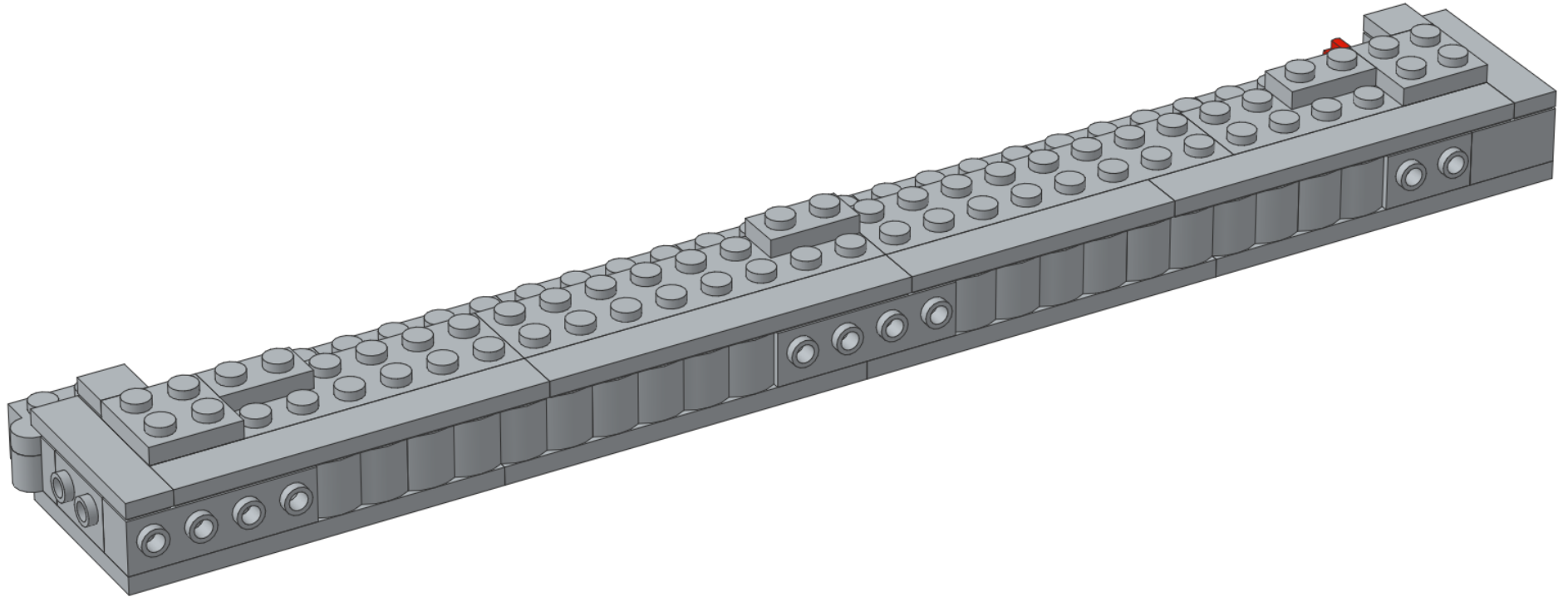


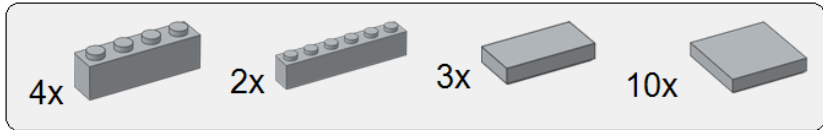
6



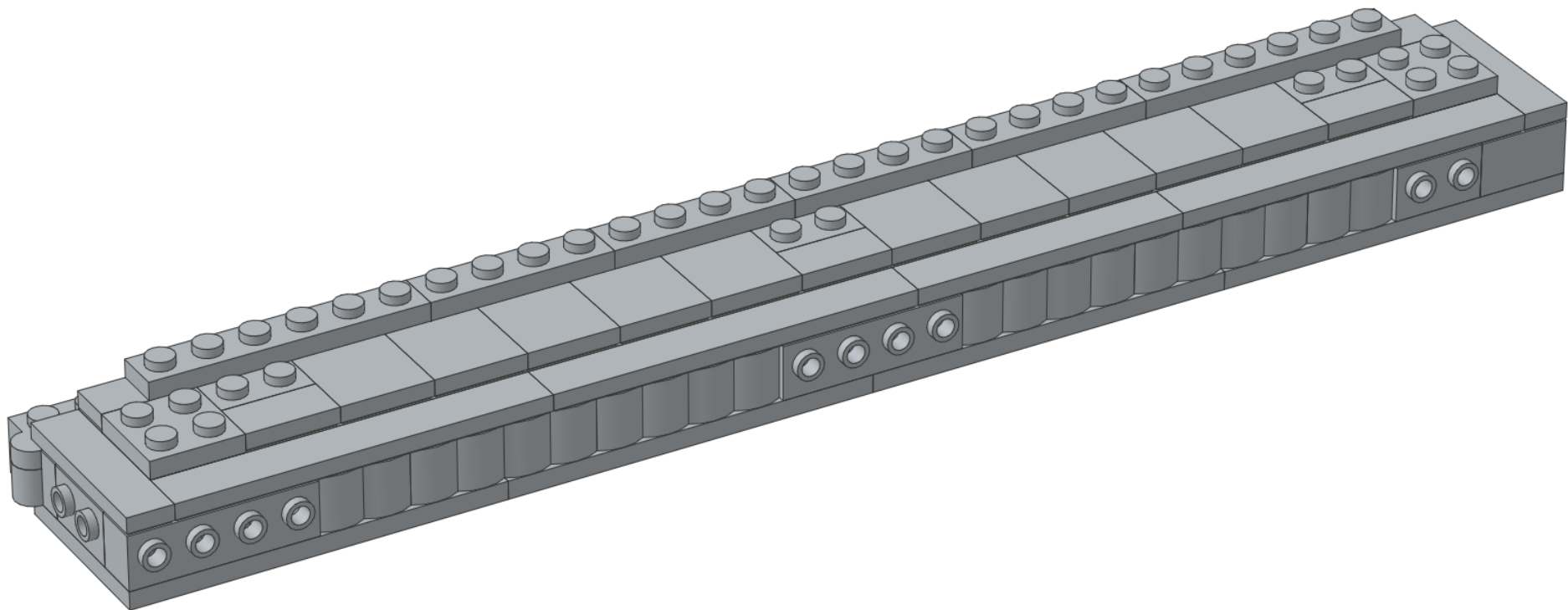


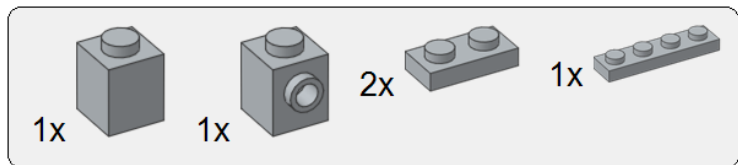
7



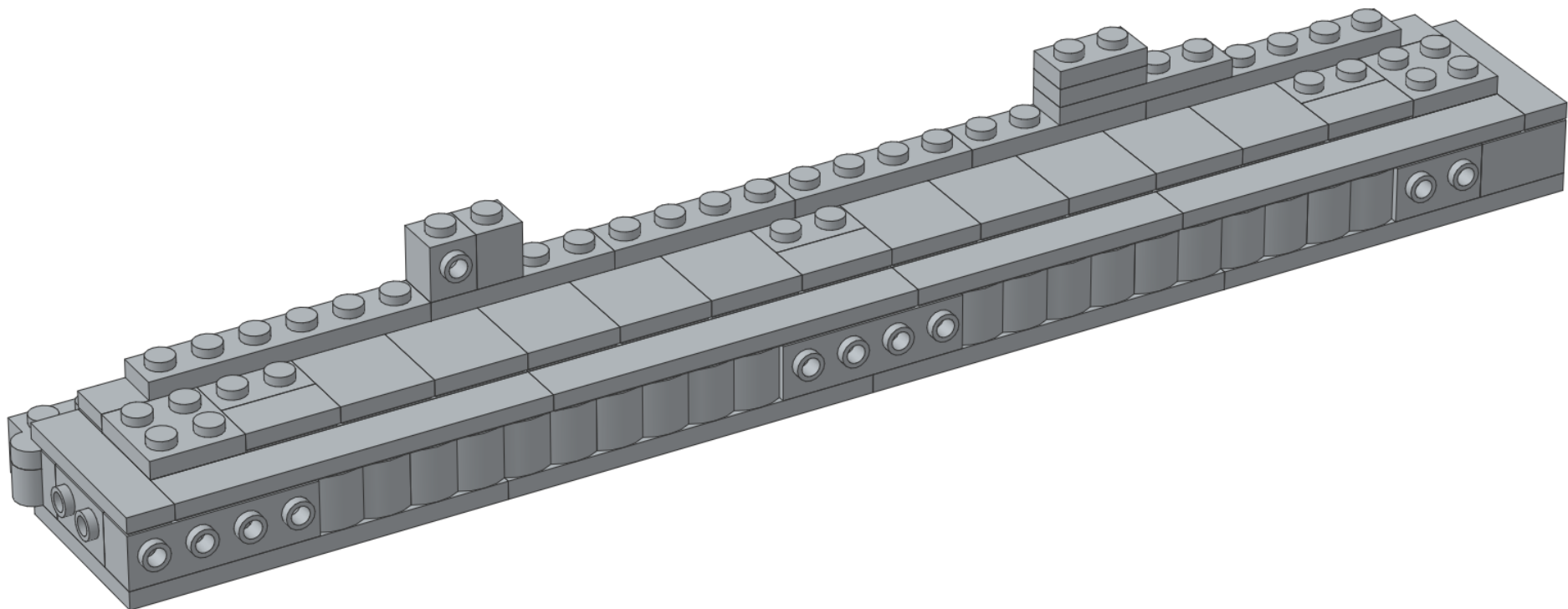


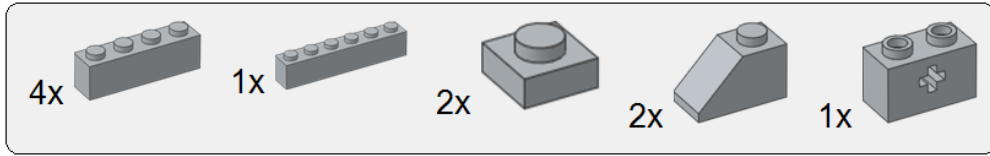
8



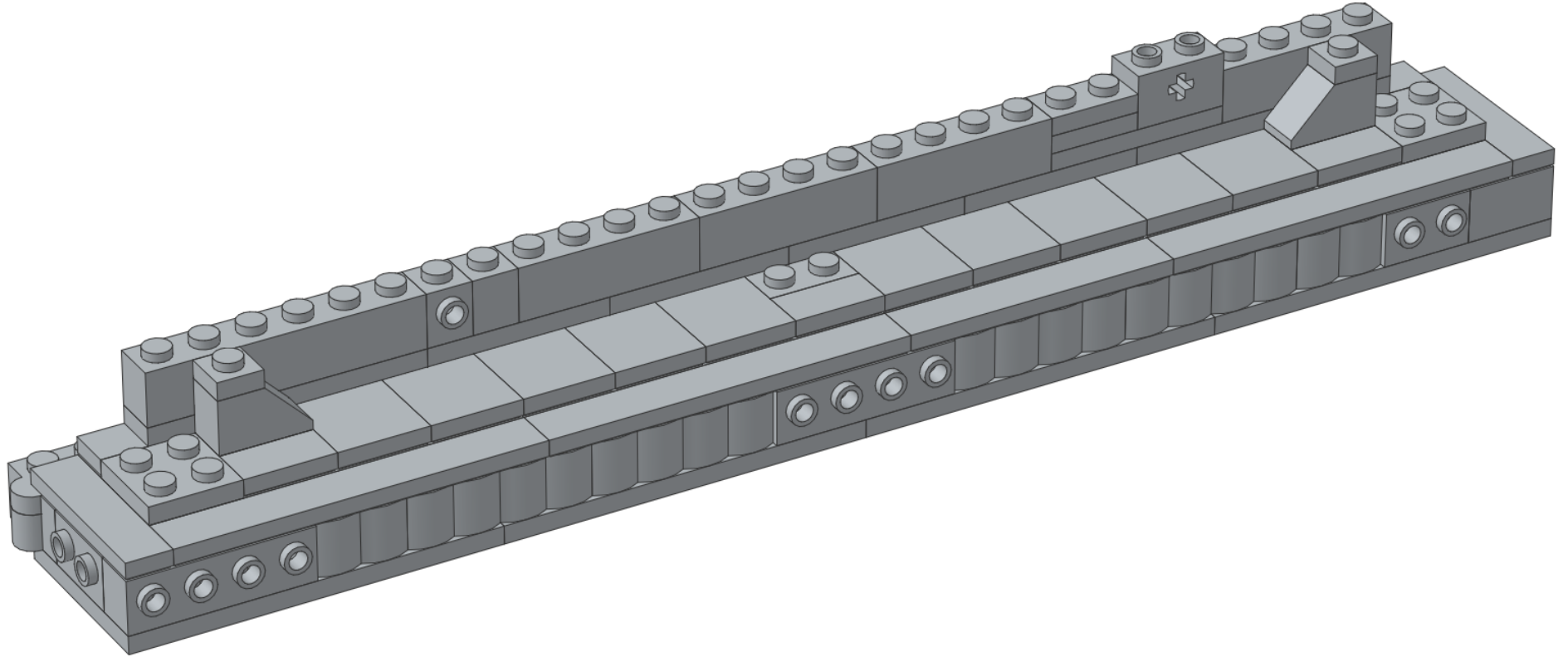


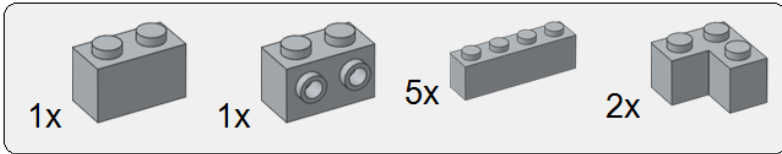
9



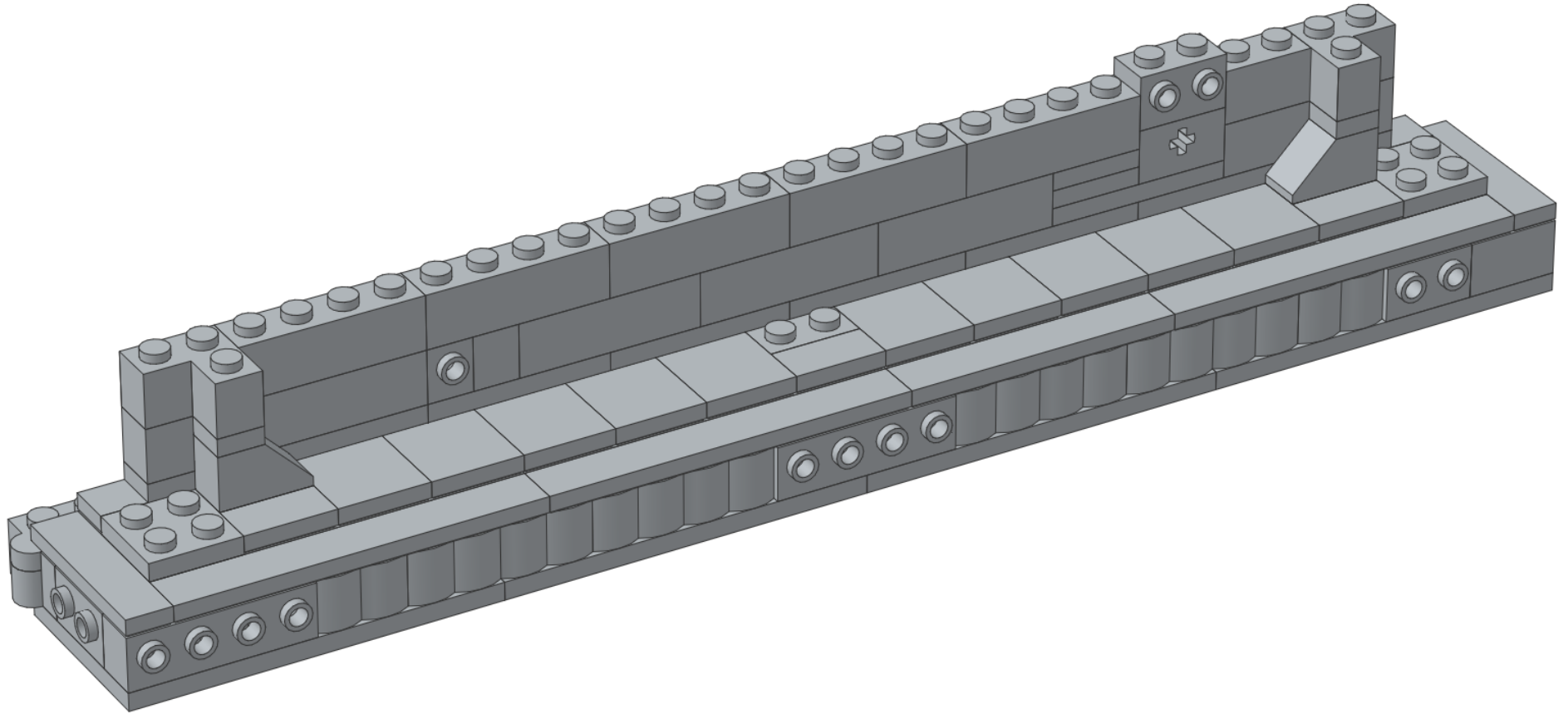


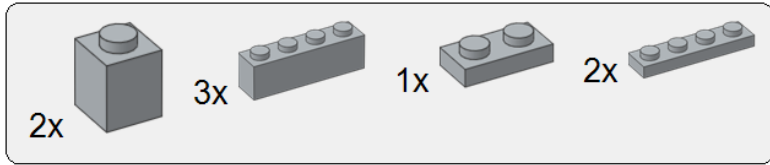
10



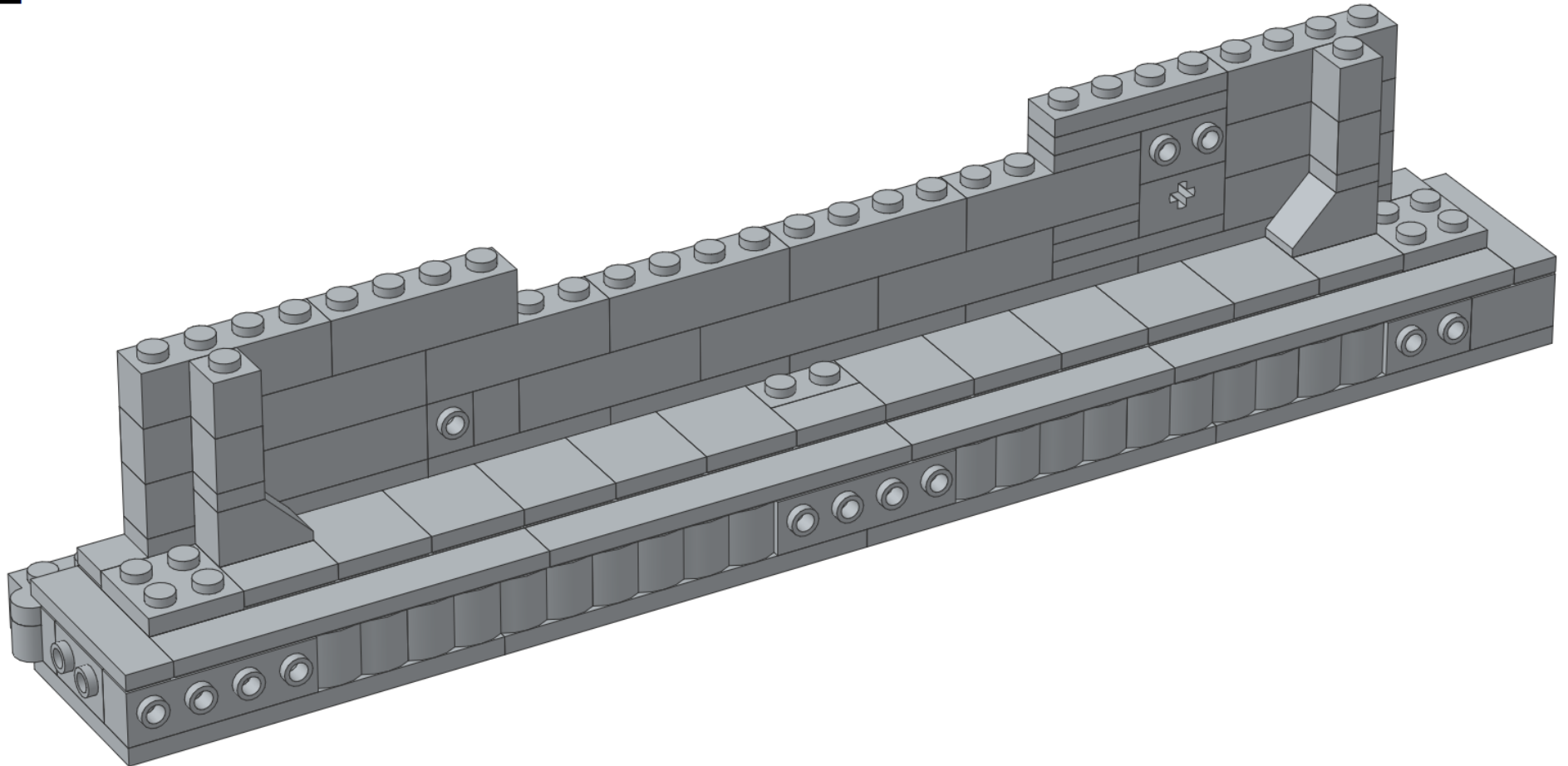


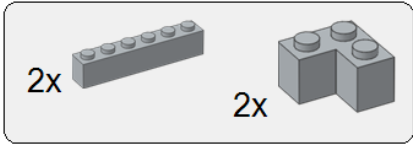
11



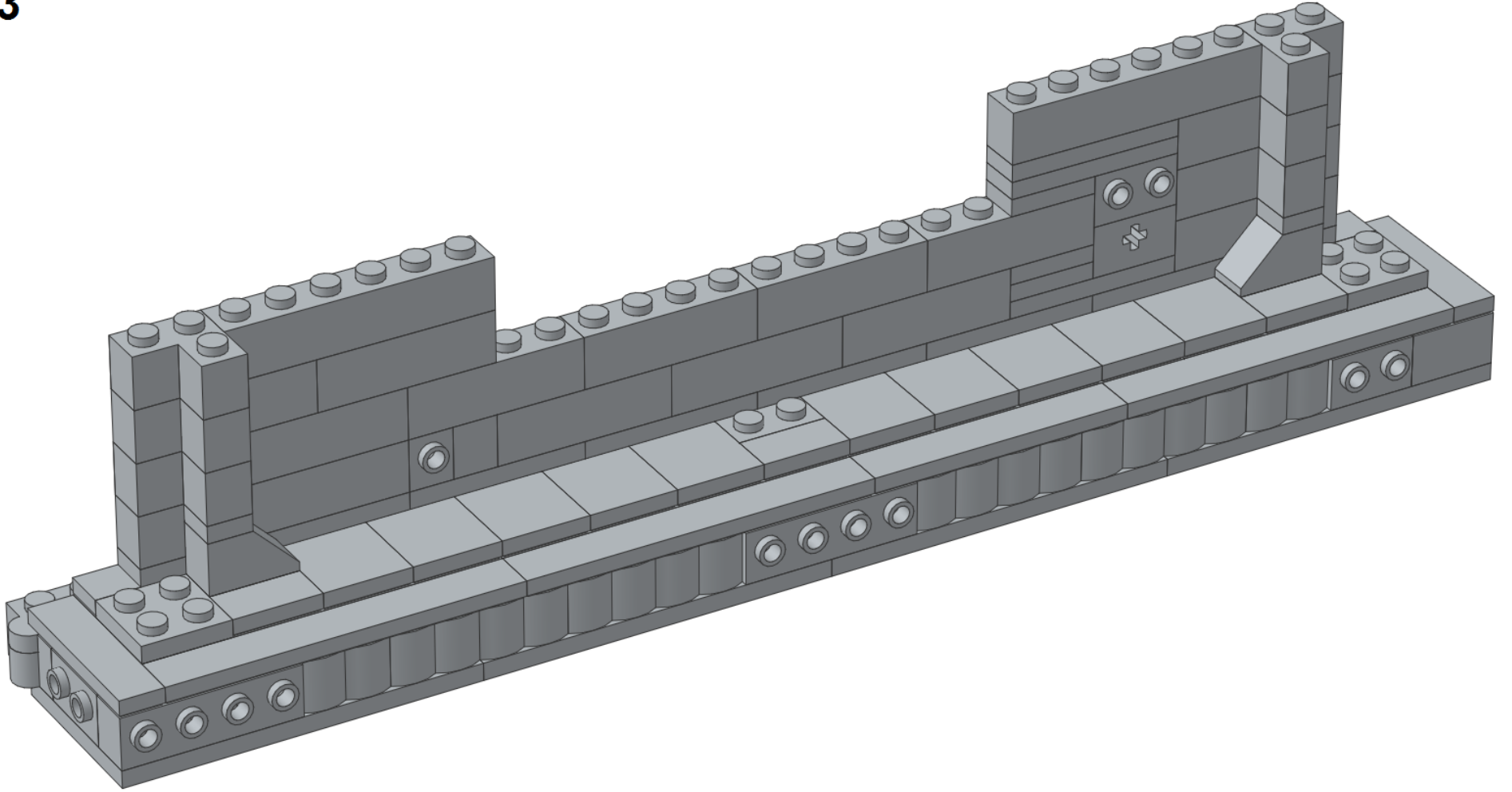


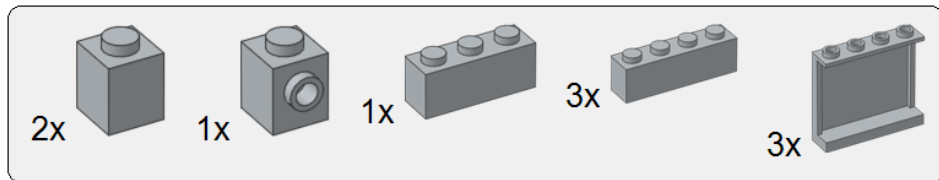
12



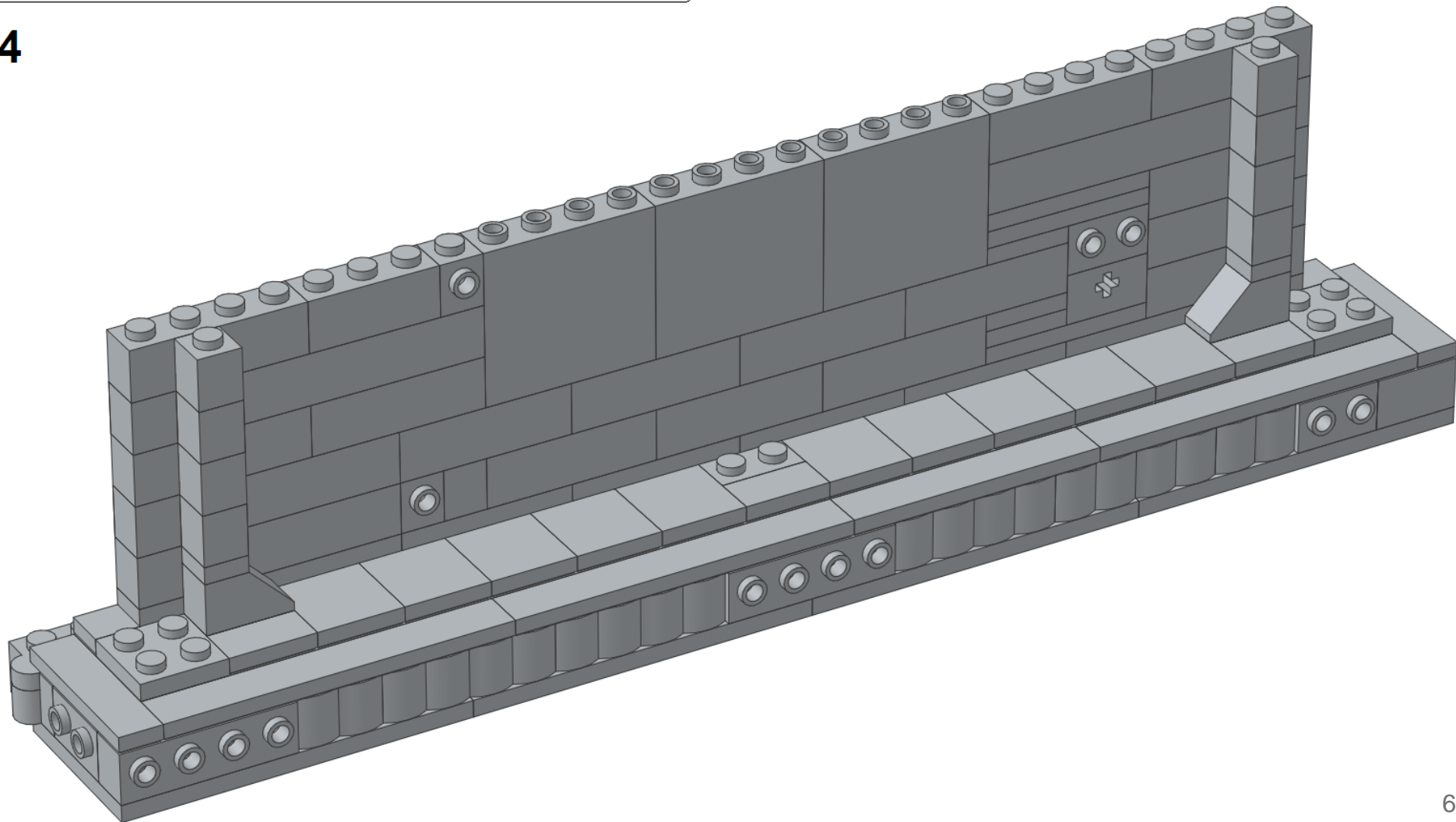


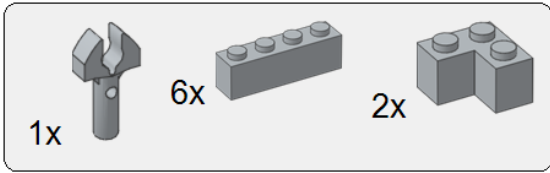
13



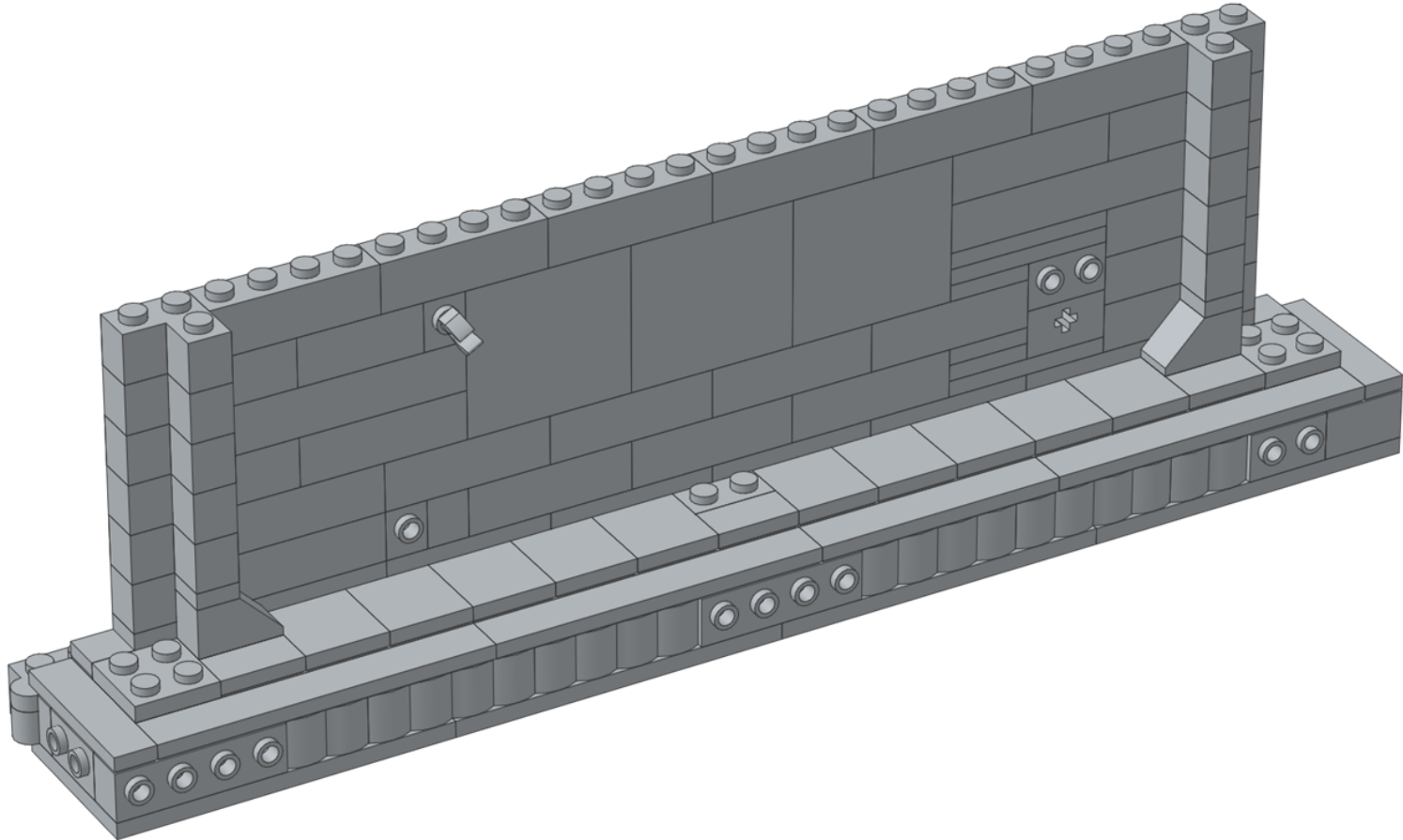


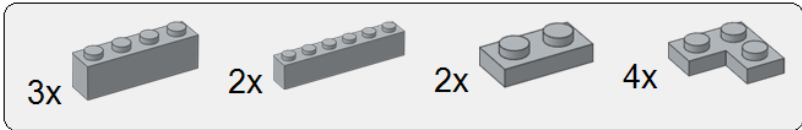
14



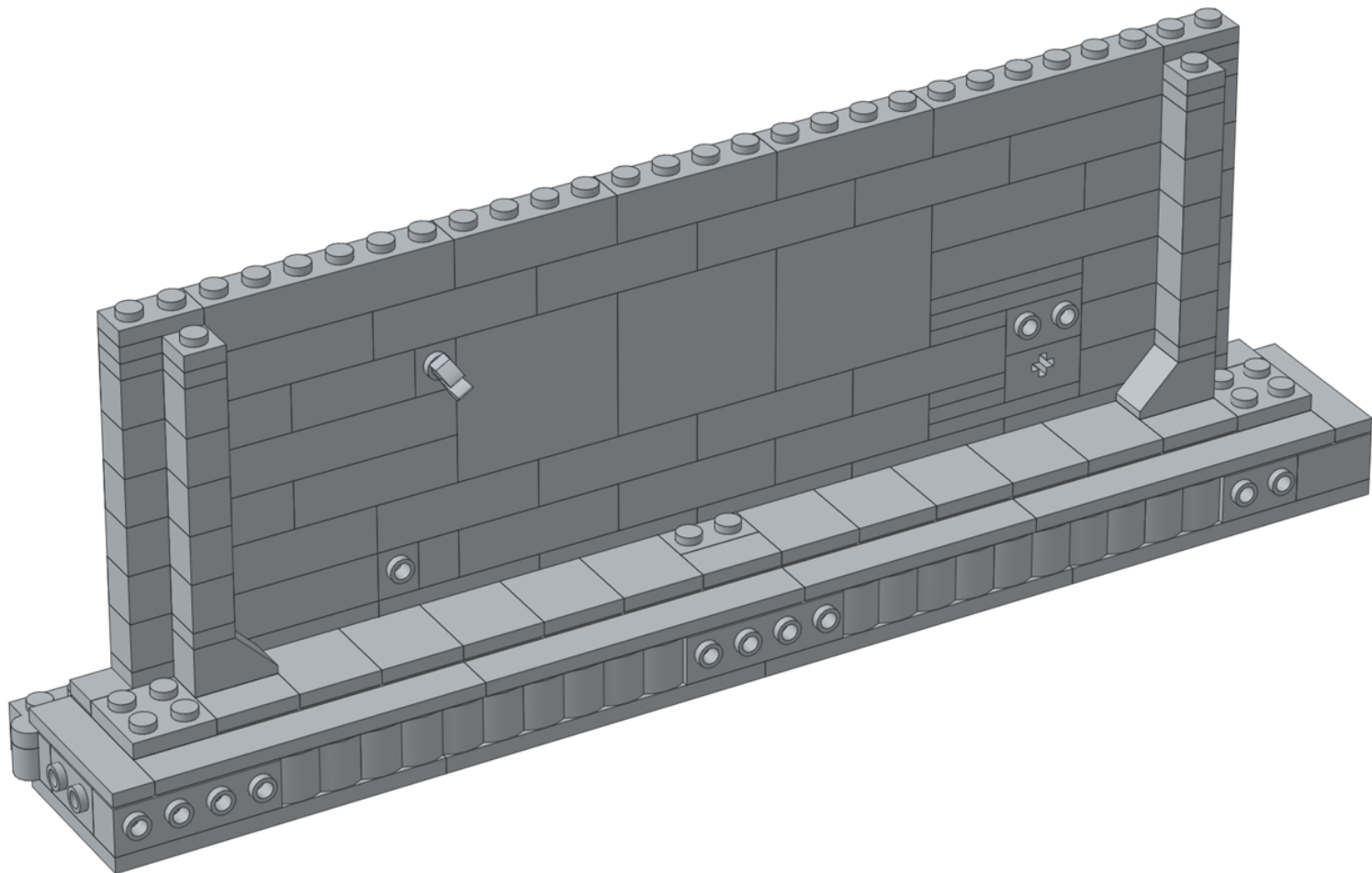


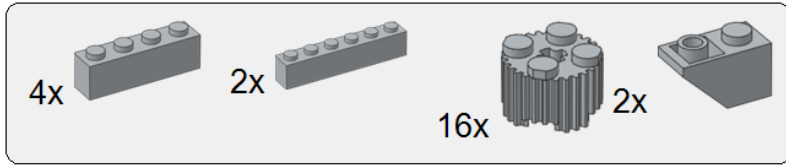
15



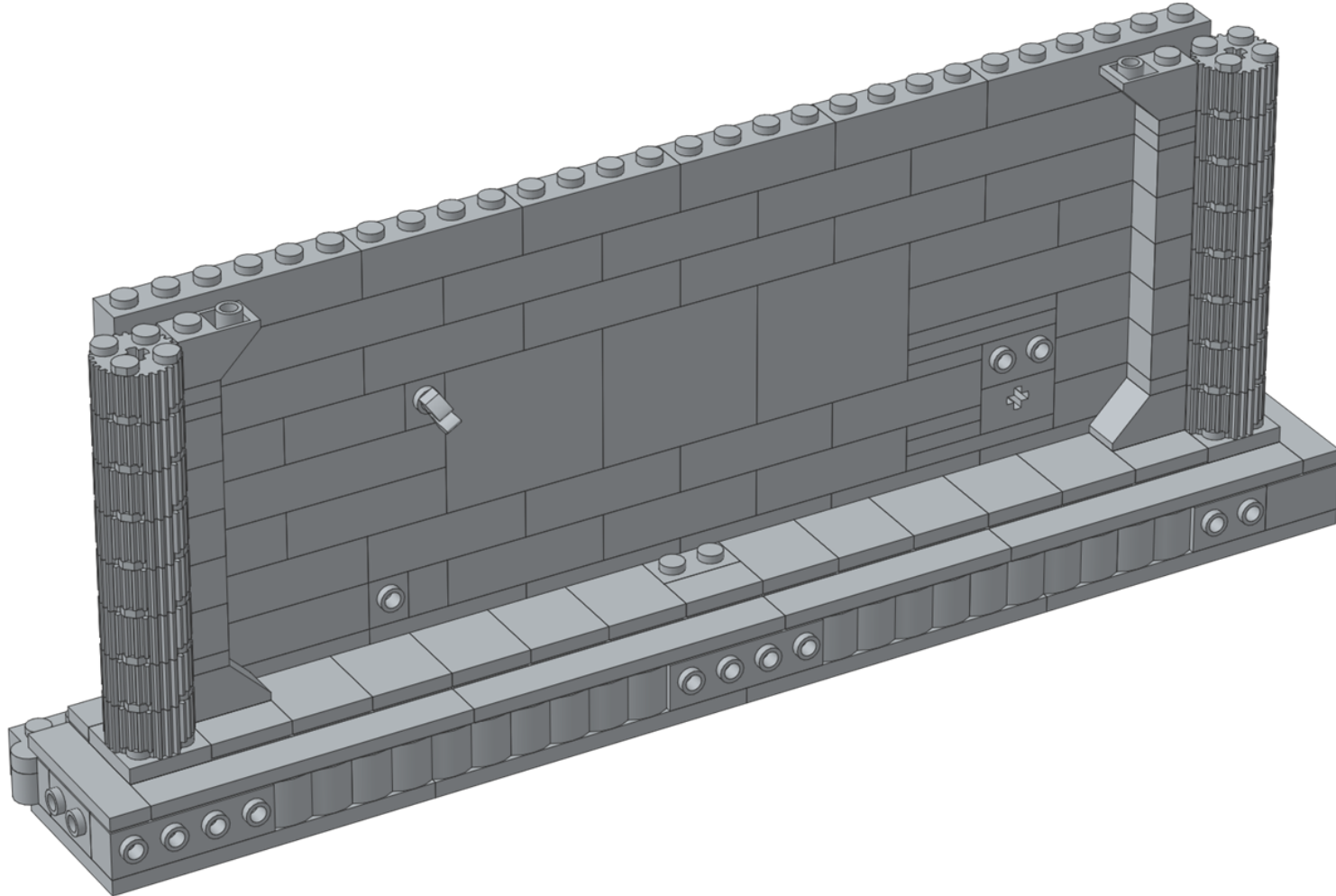


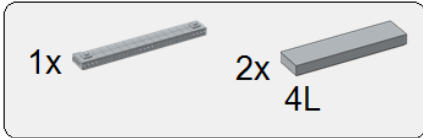
16



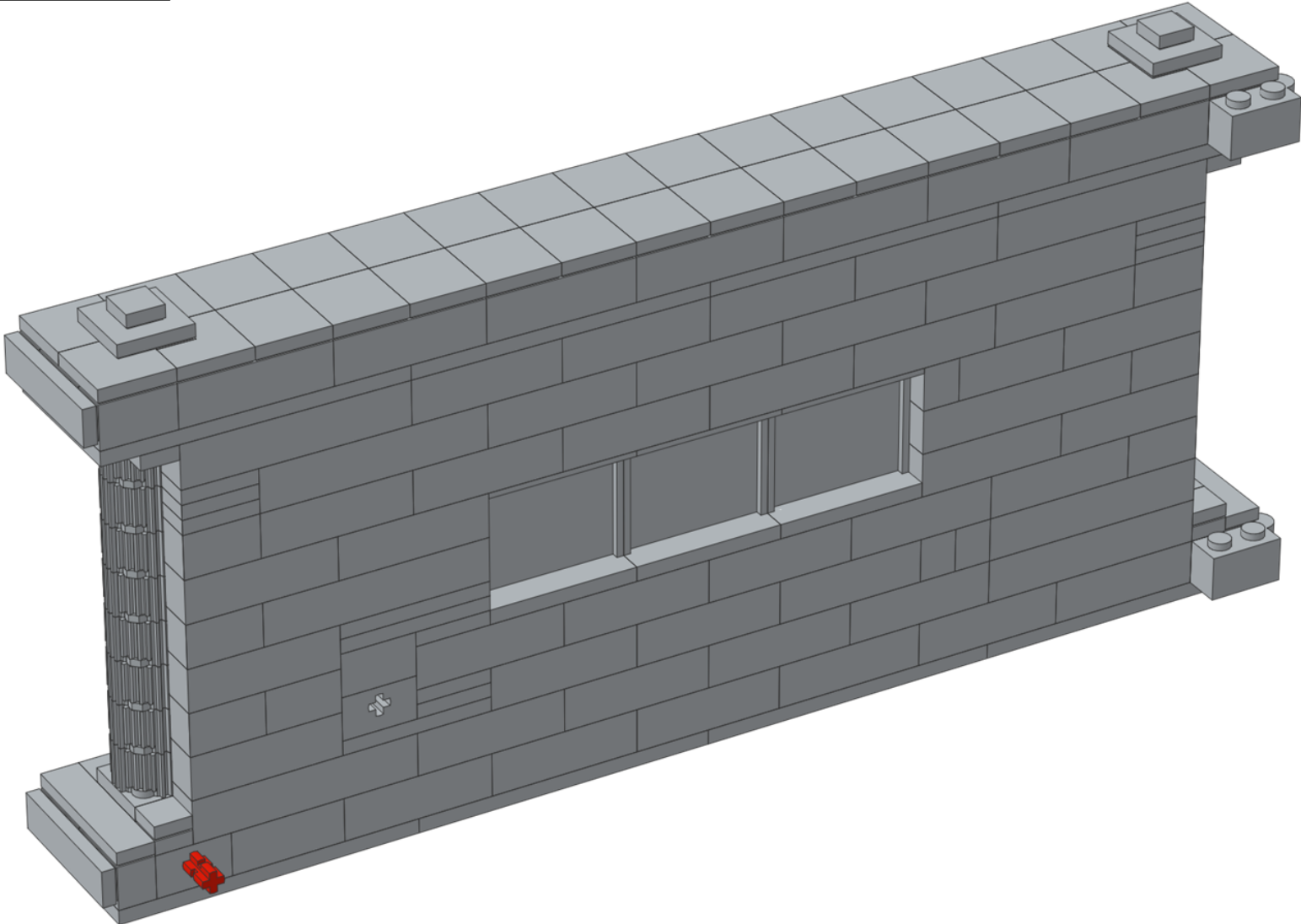


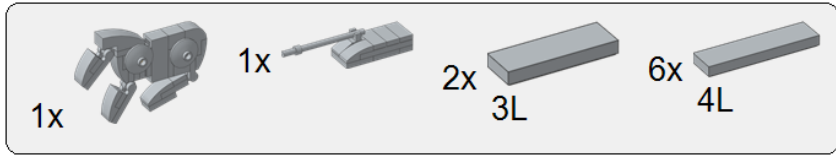
17



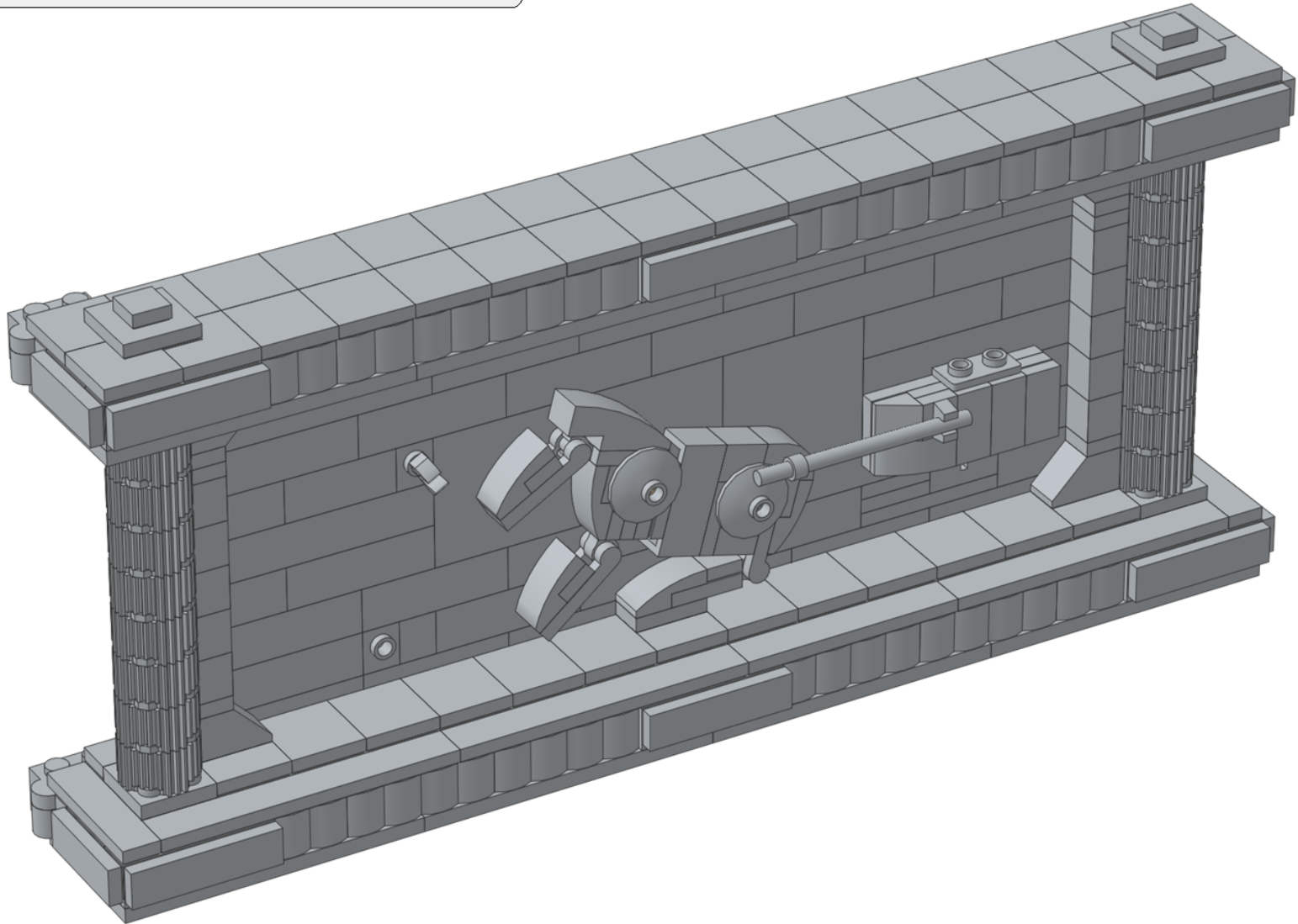


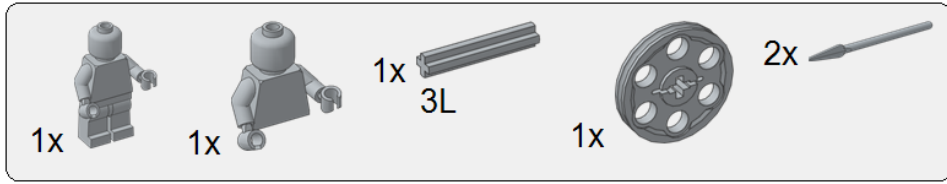
18



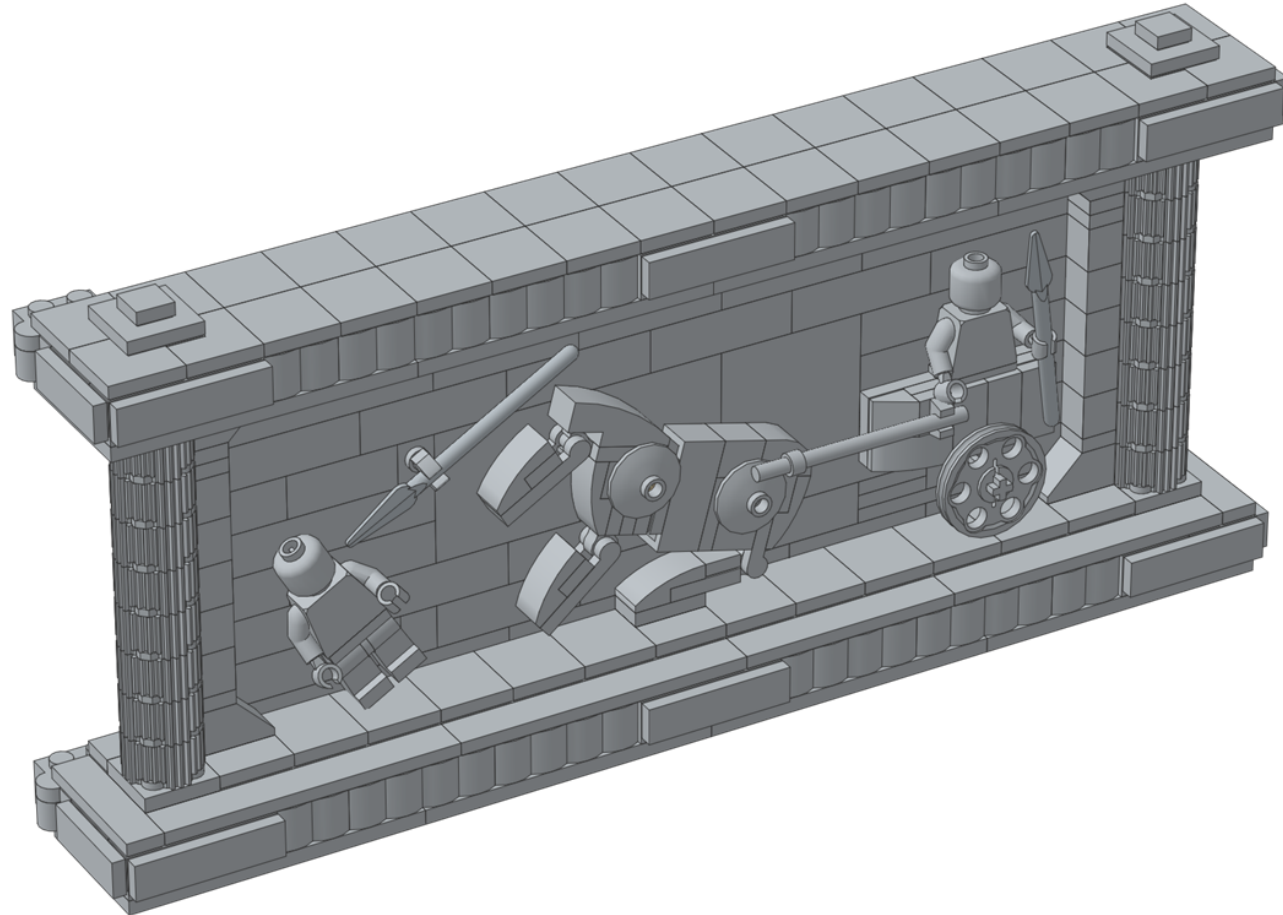


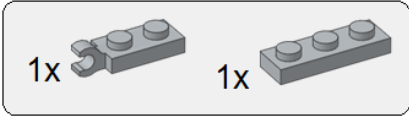
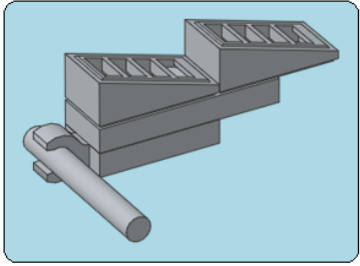
19



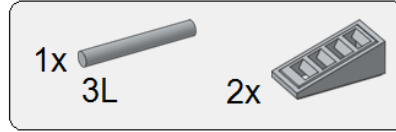
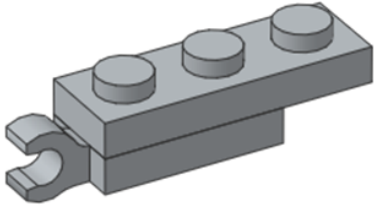


20

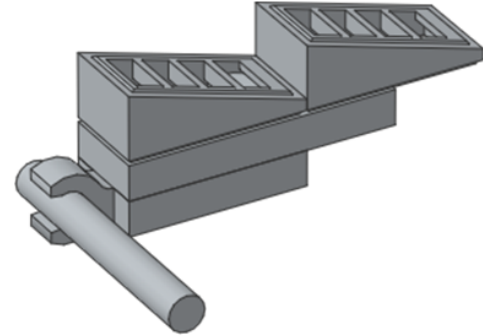


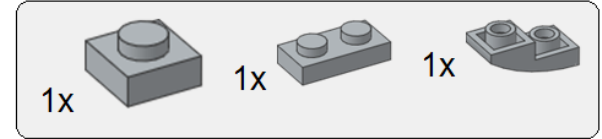
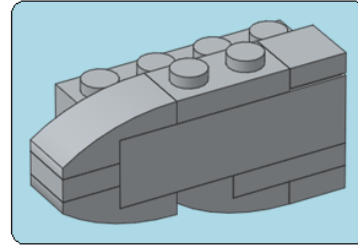
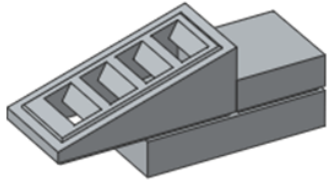
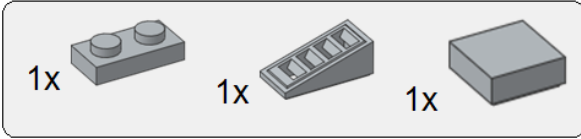
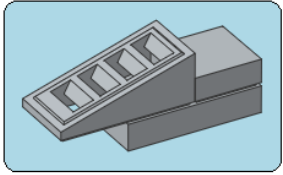


1

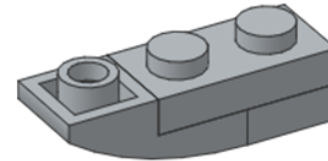


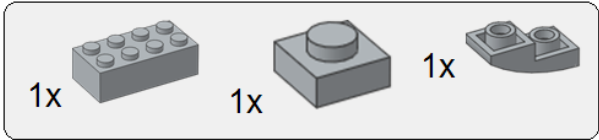
2



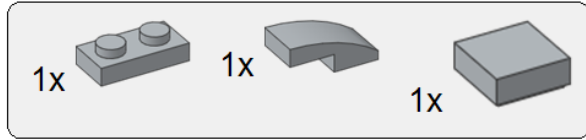
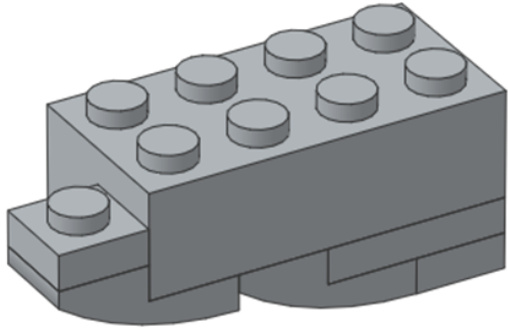


1

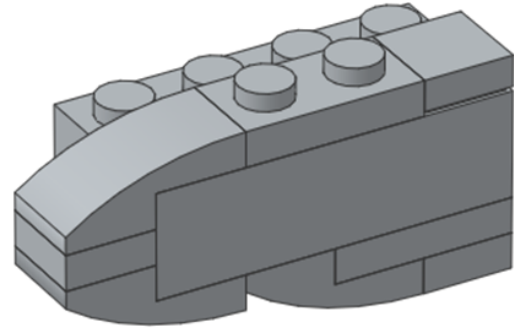


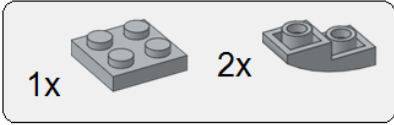
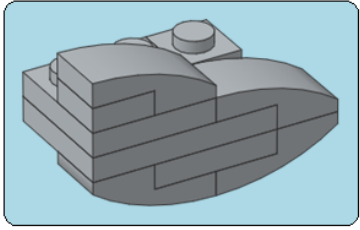


2

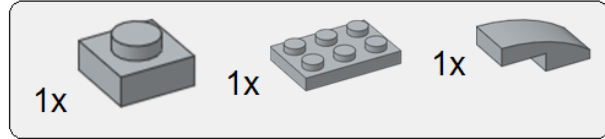
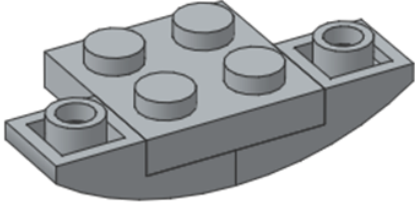


3

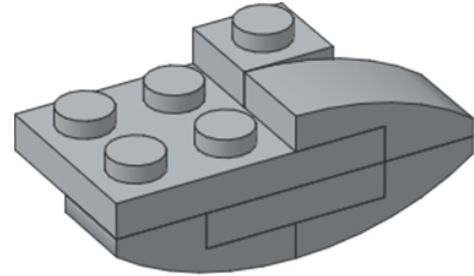


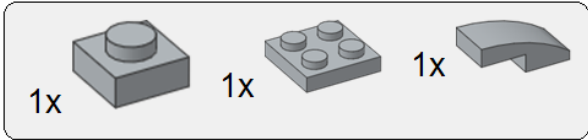


1

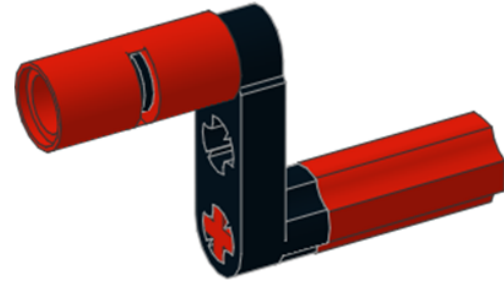
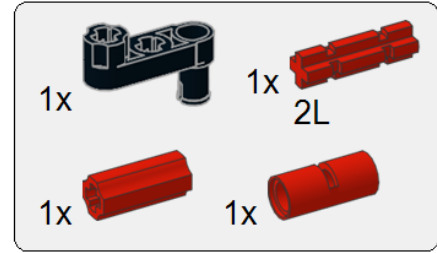
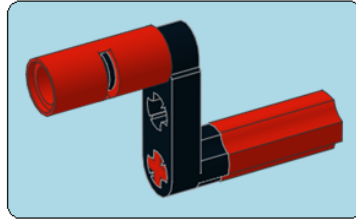
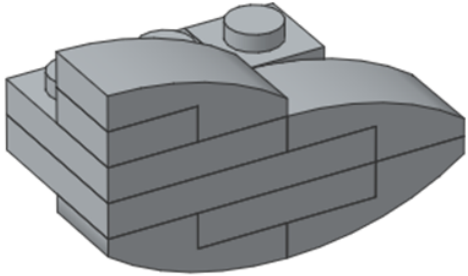


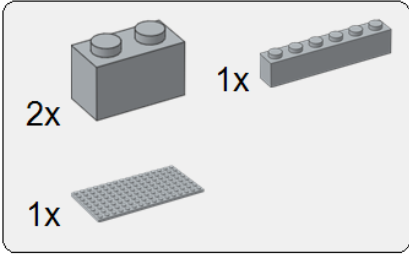
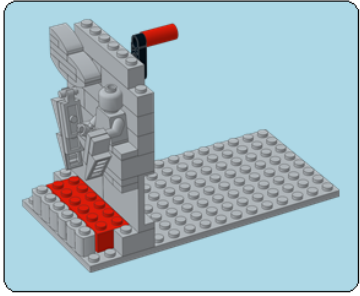
2



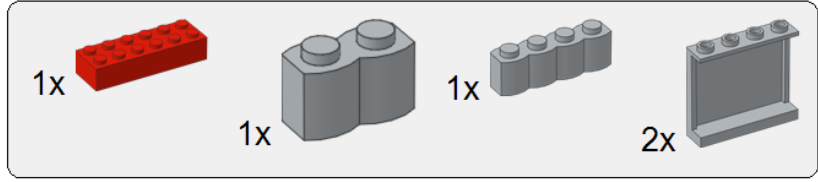
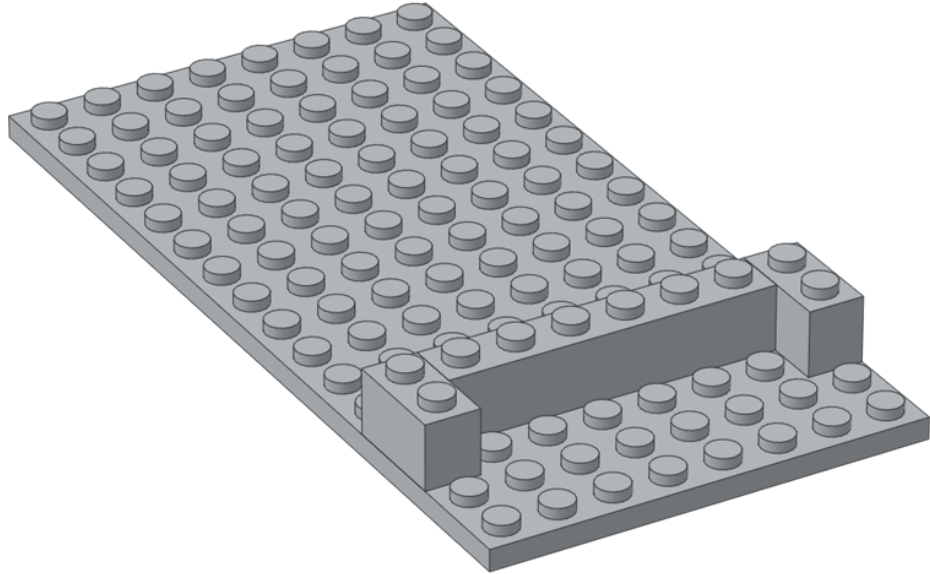


3

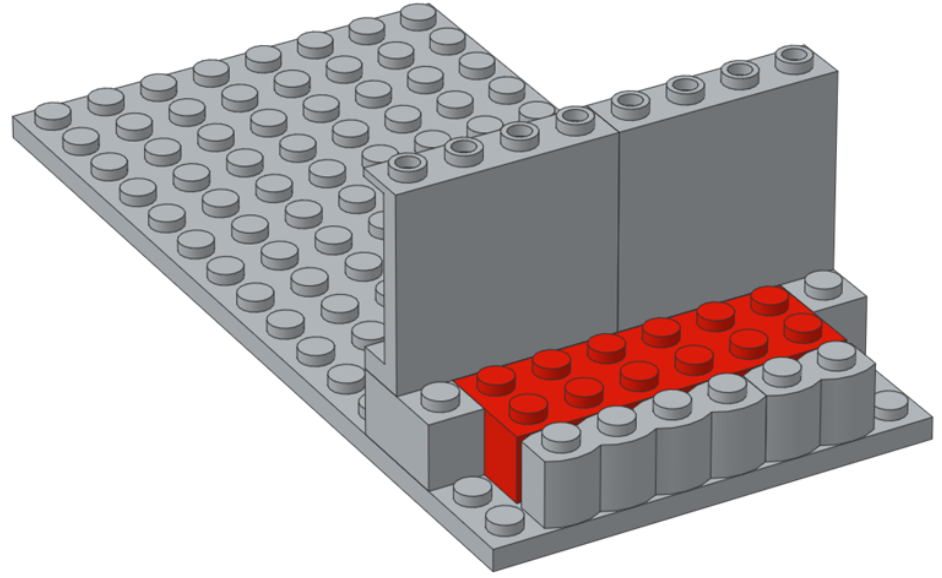


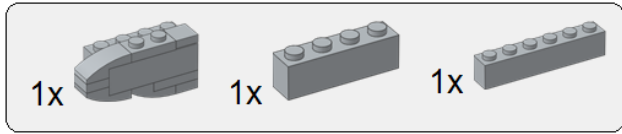


1

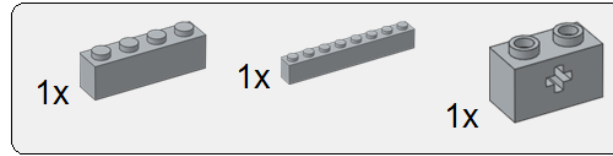
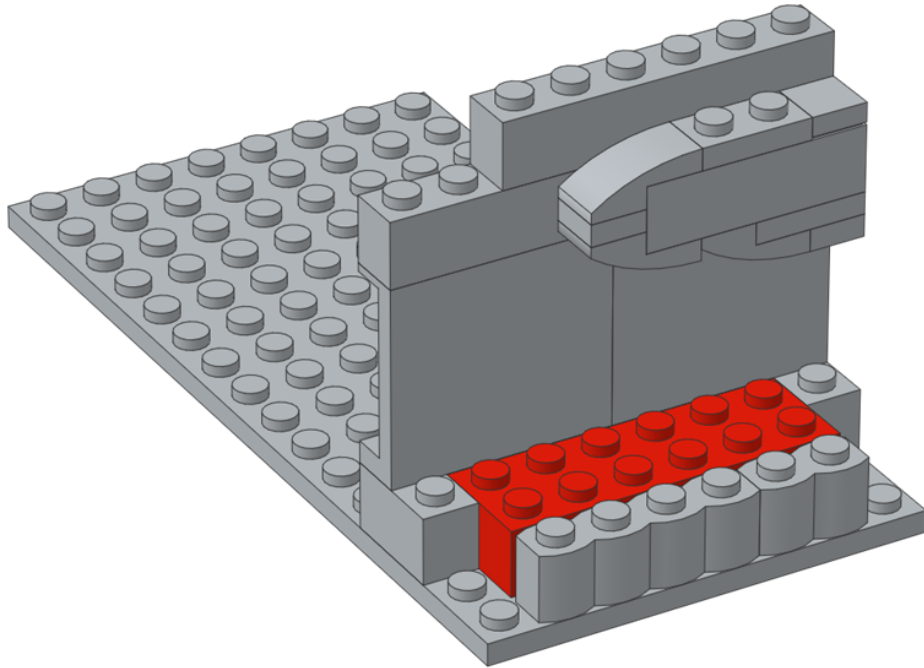


2

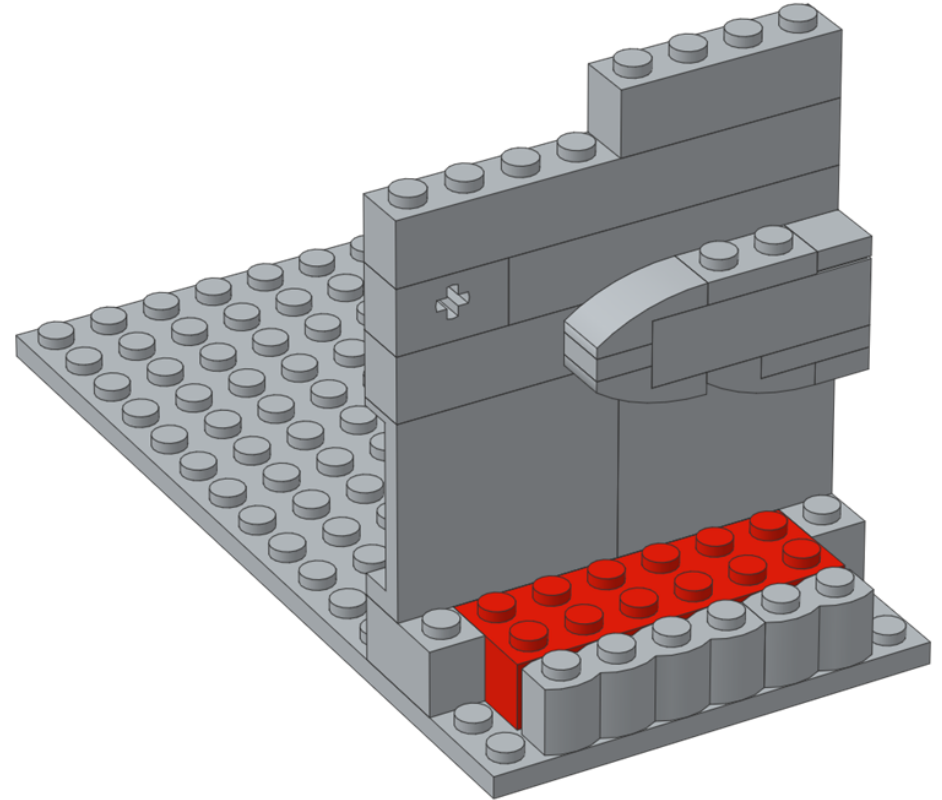


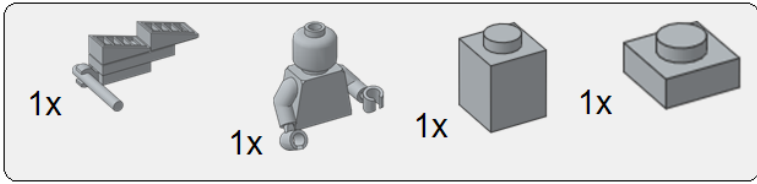


3

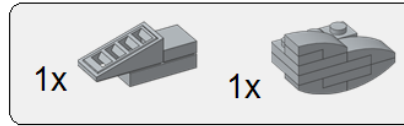
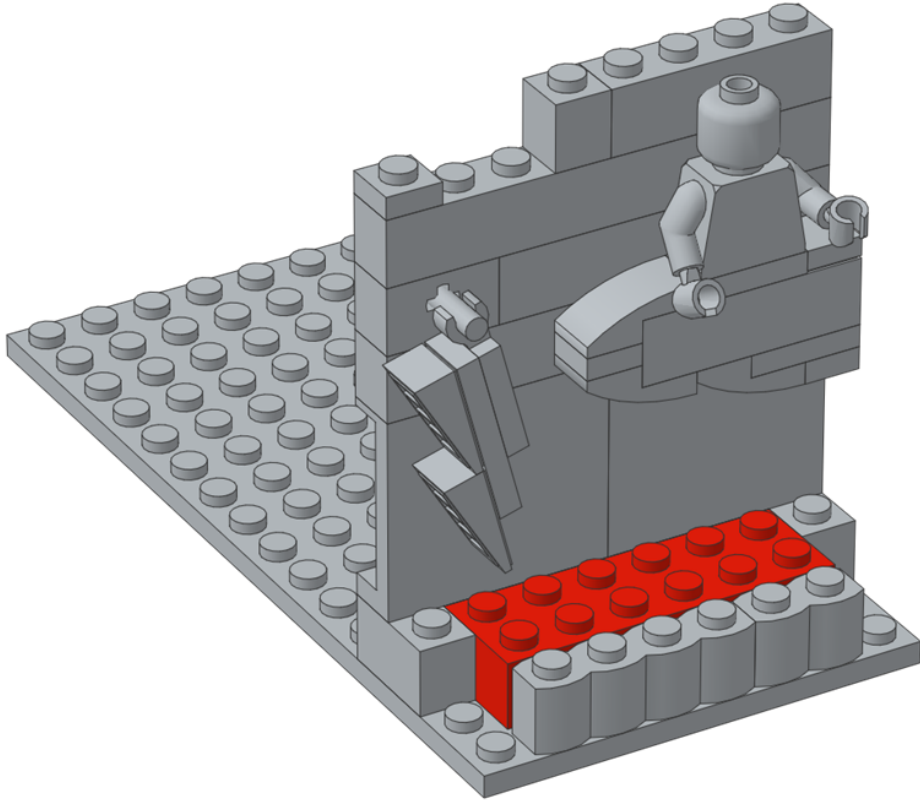


4

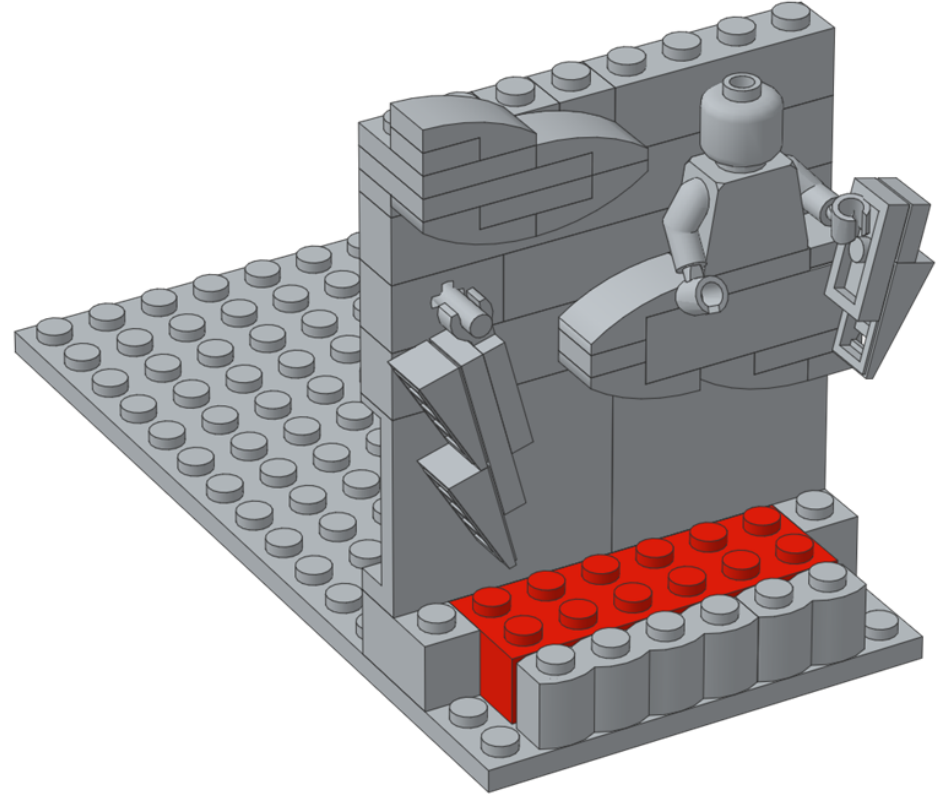


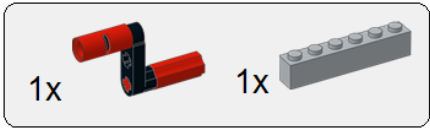


5

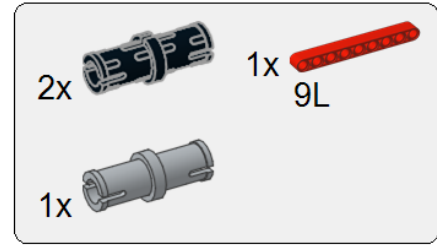
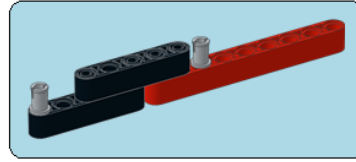
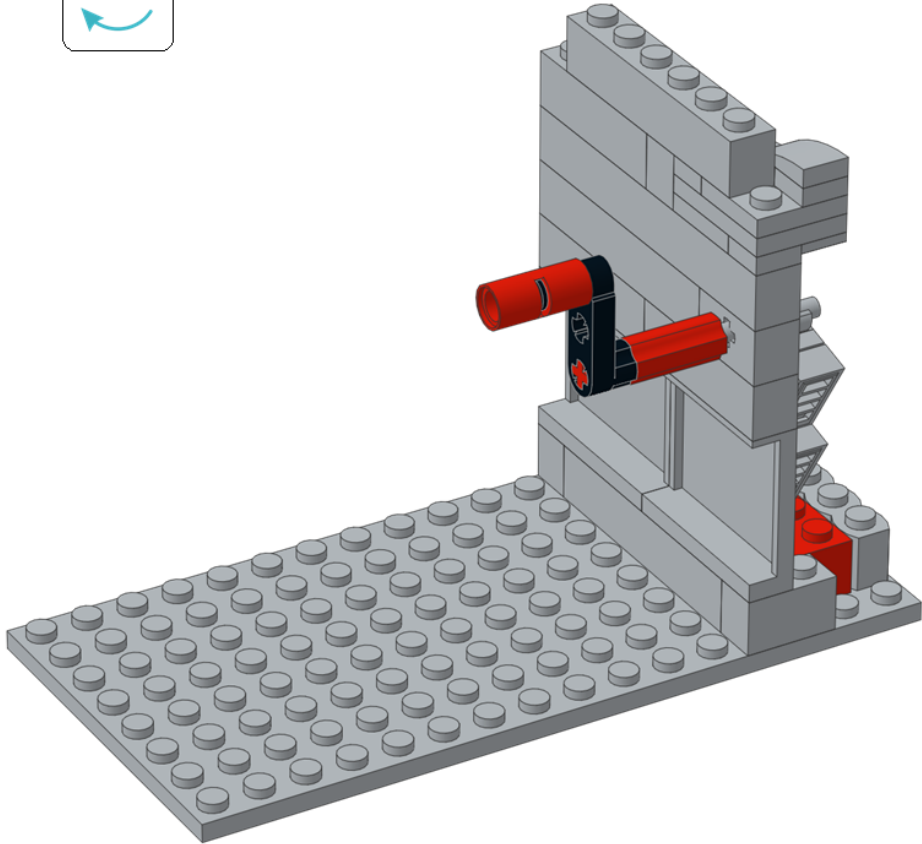


6

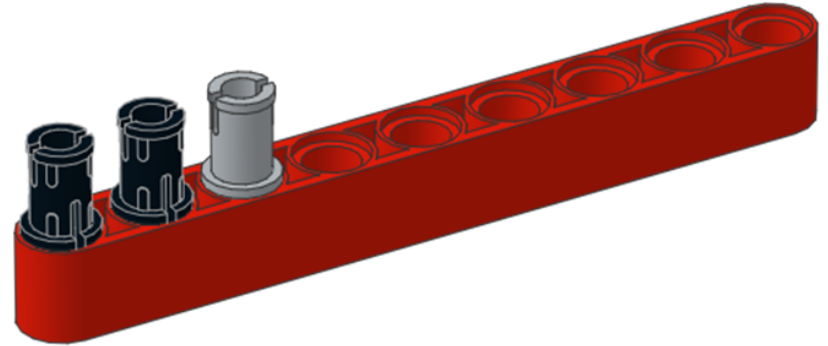


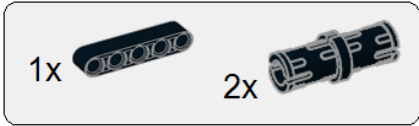


7

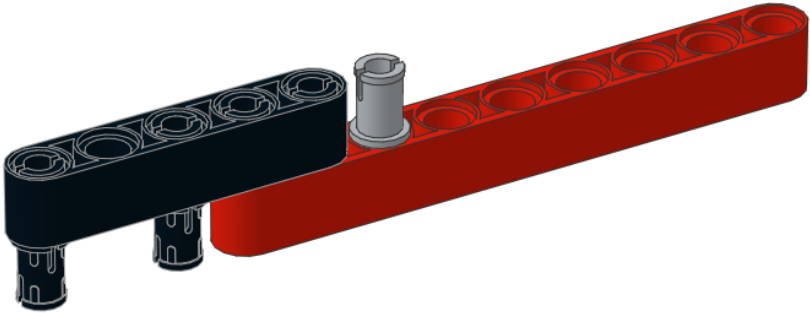


1

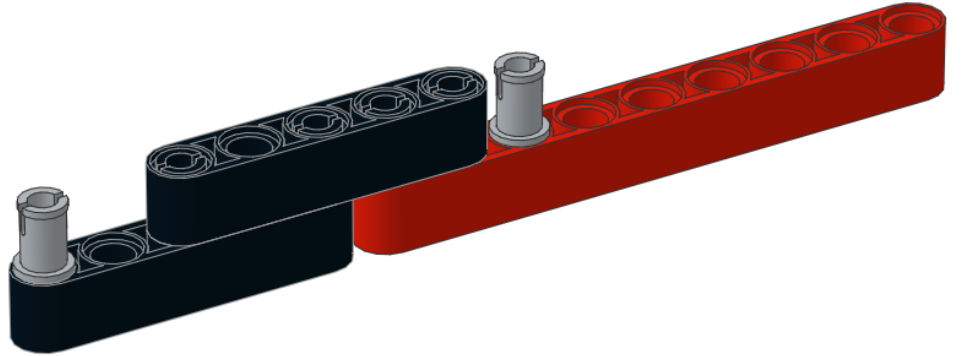


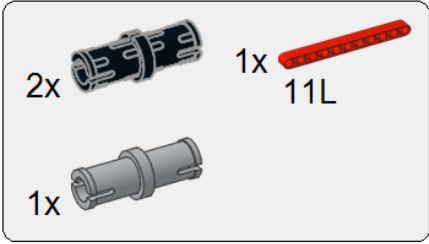
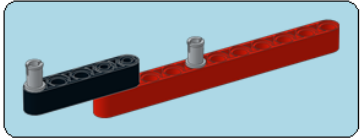


2

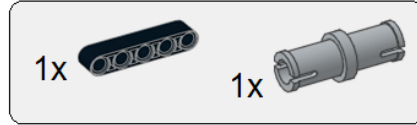
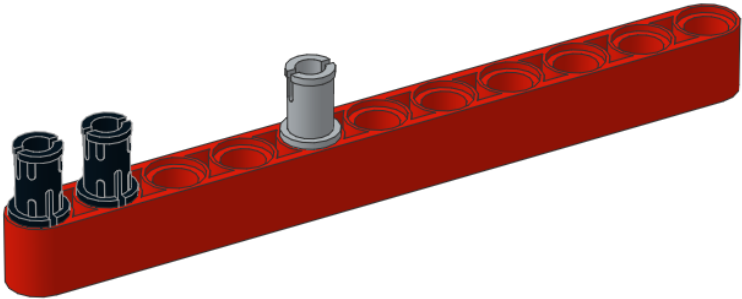


3

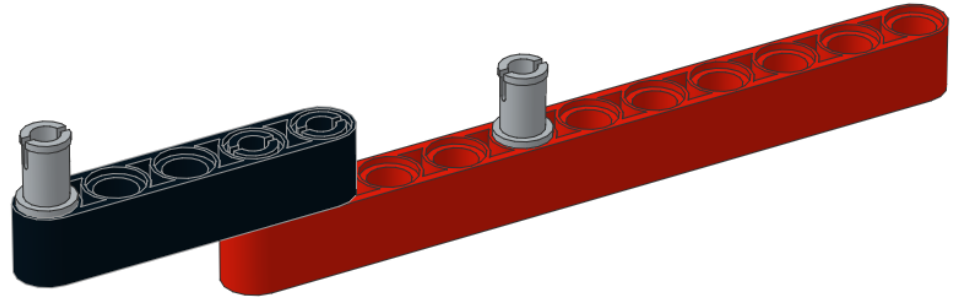


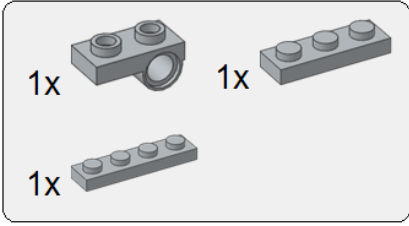
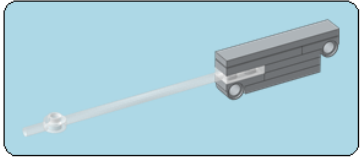


1

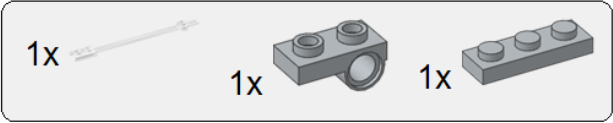
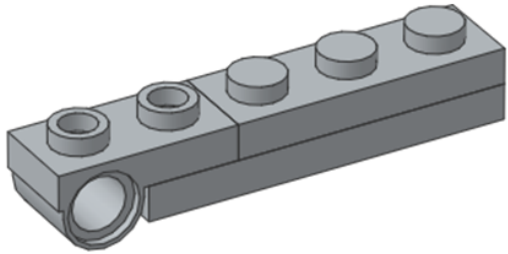


2

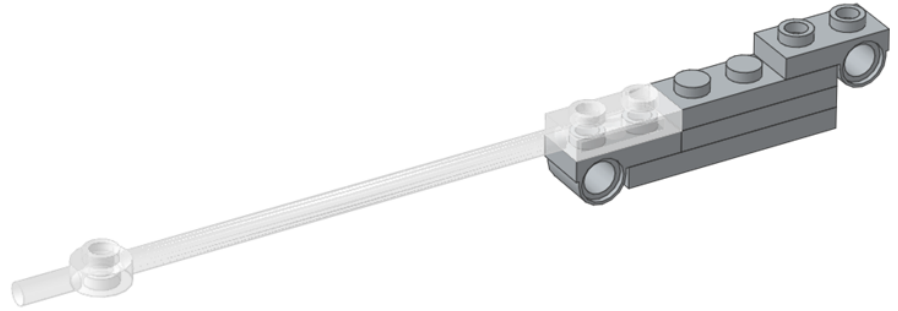


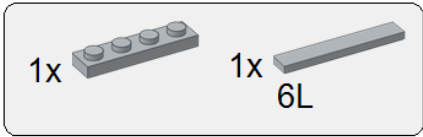


1

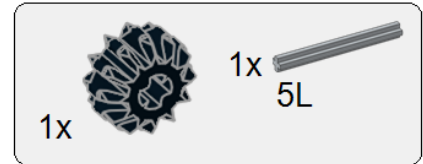
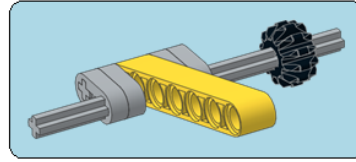
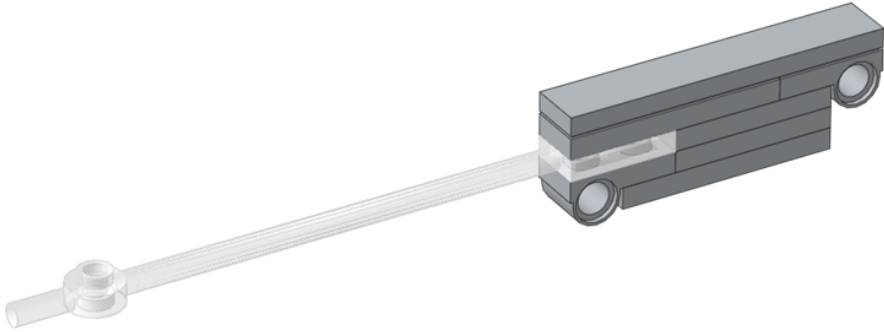


2

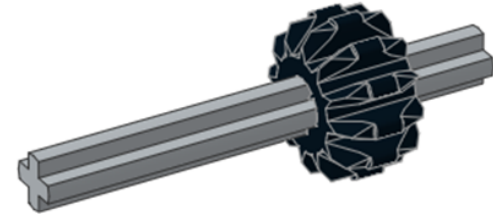


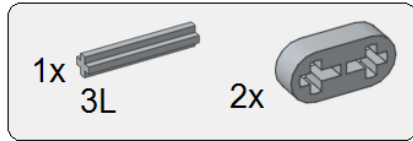


3

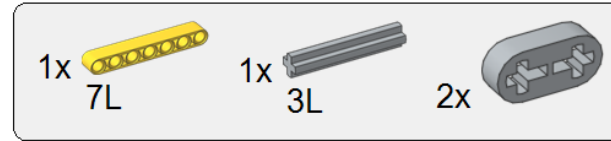
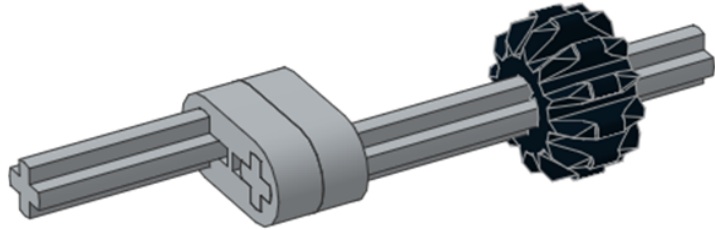


1

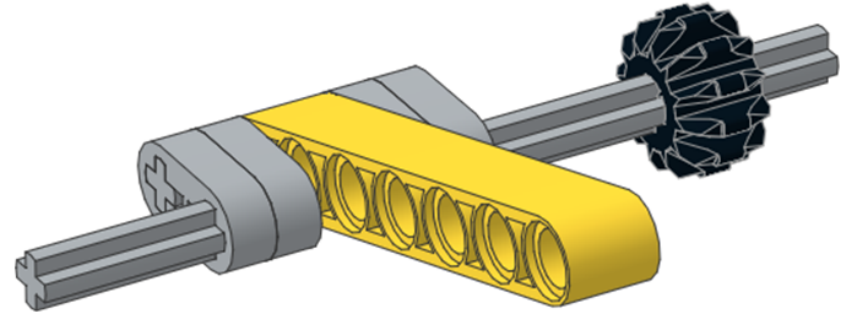


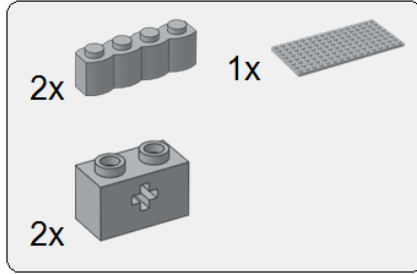
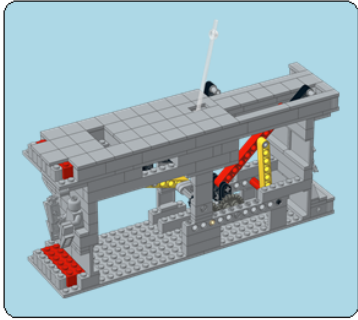


2

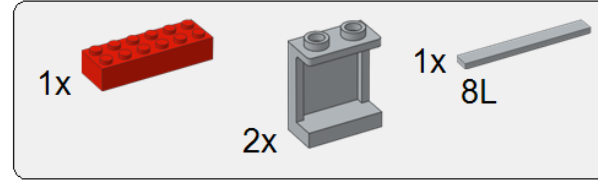
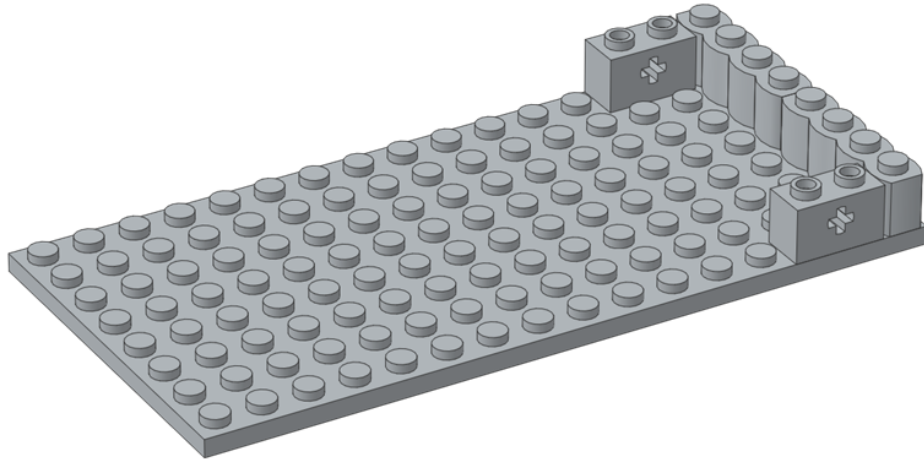


3

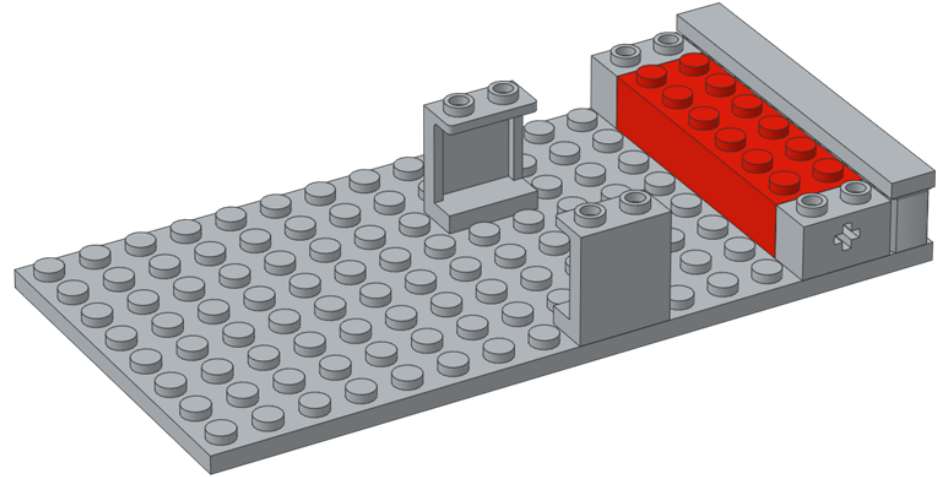


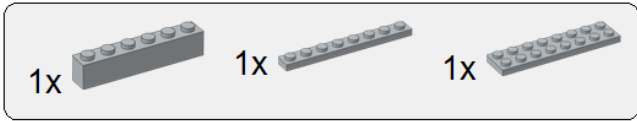


1

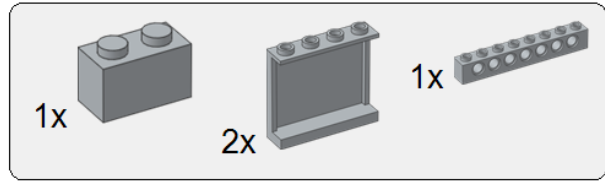
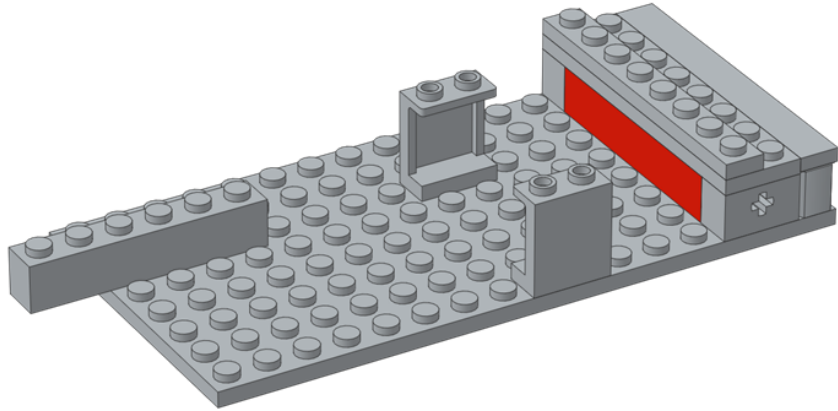


2

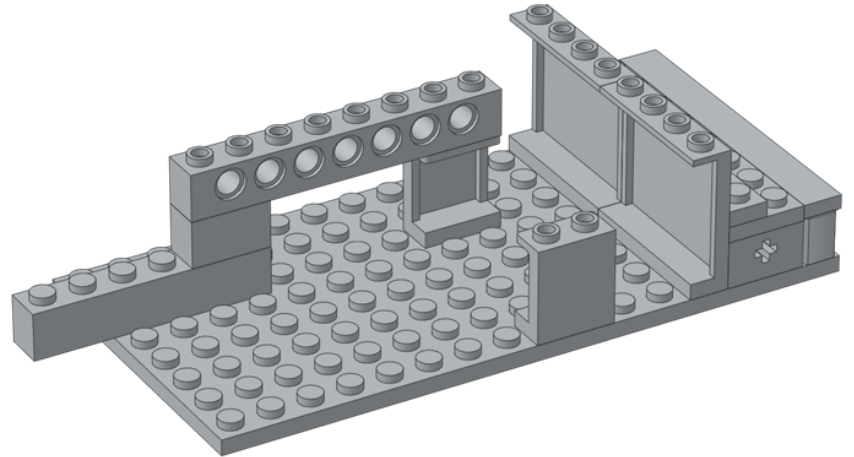


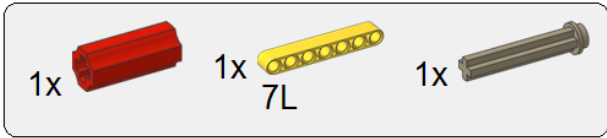


3

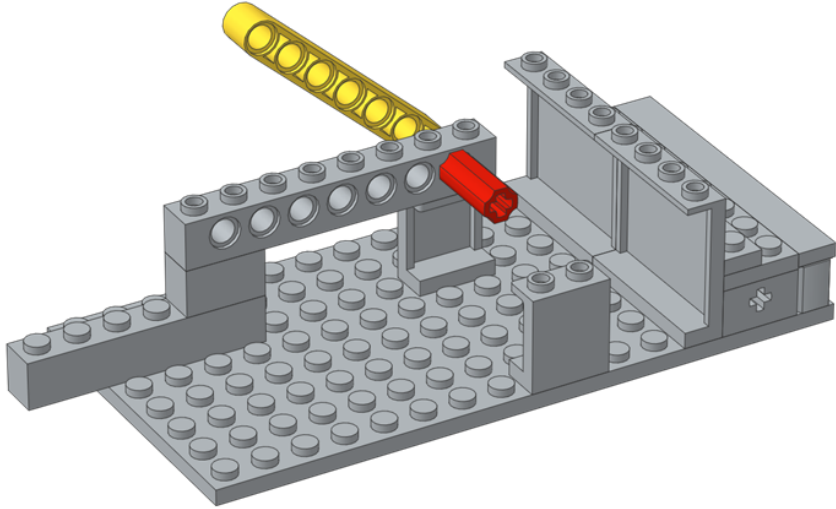


4

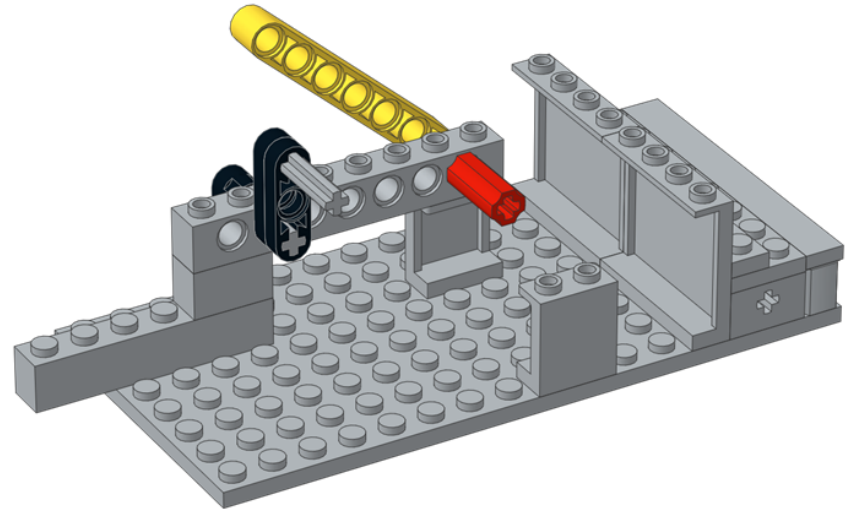




5

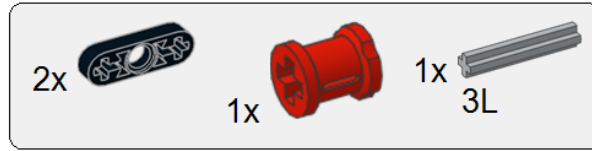
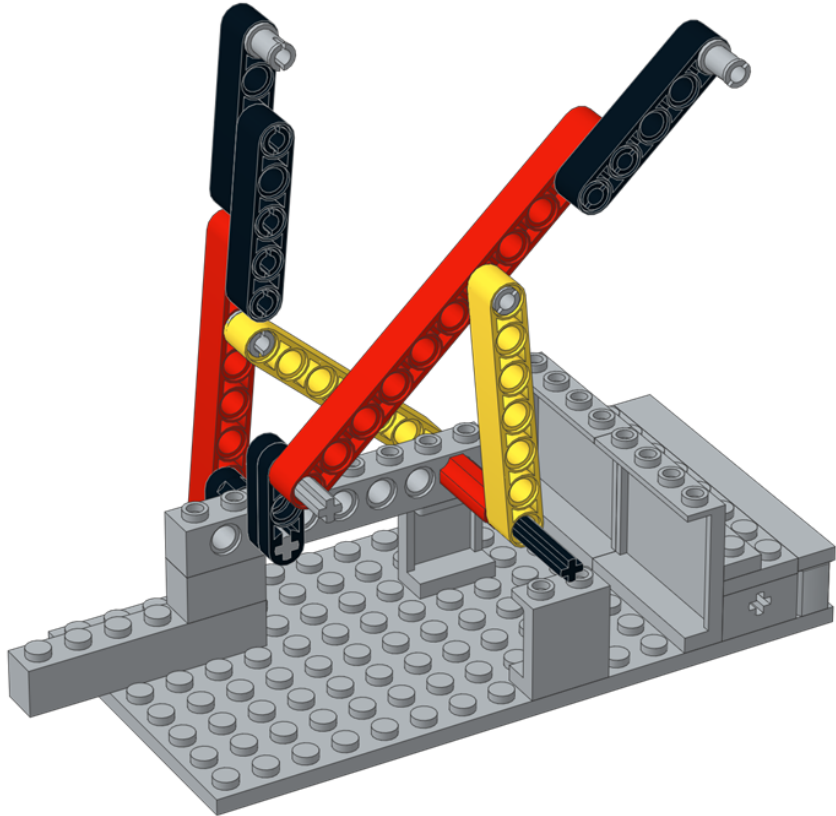


6

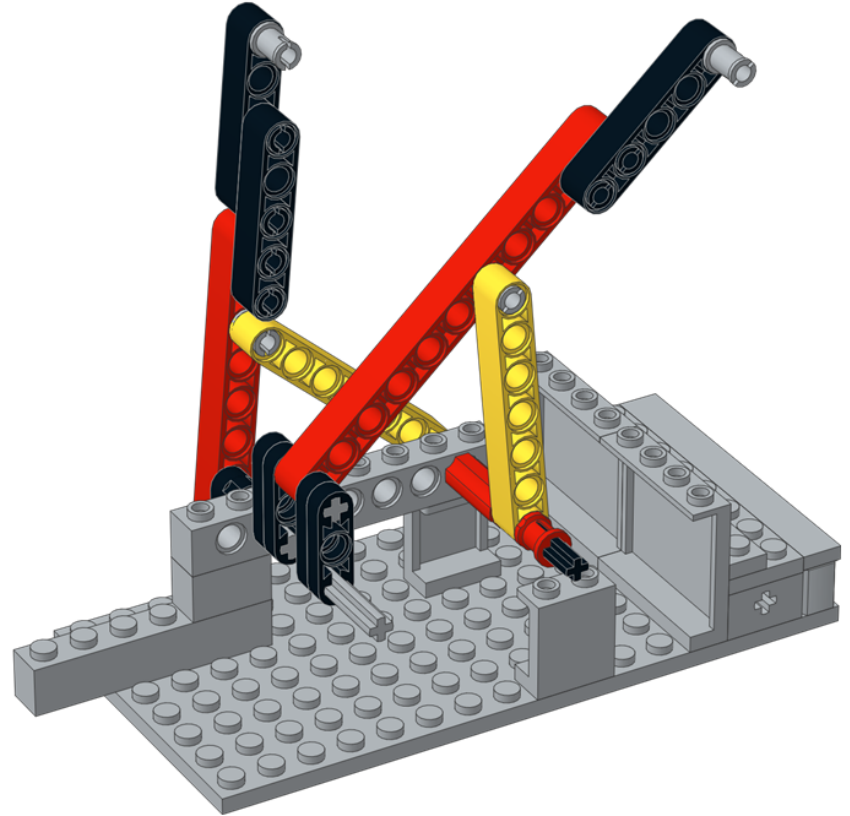


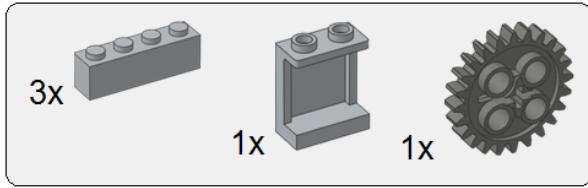


7

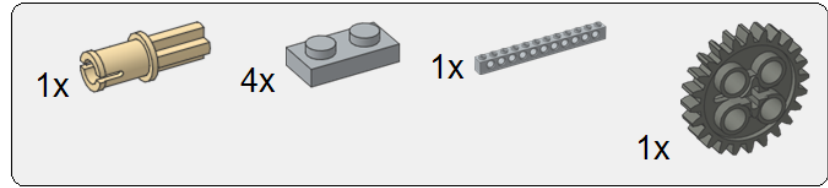
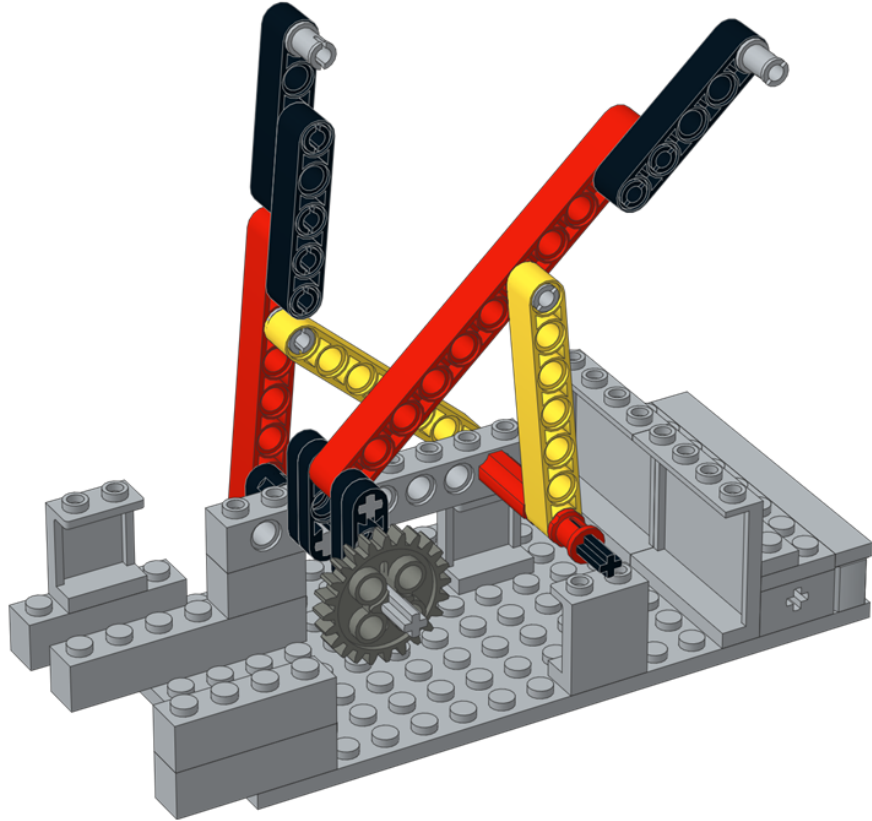


8

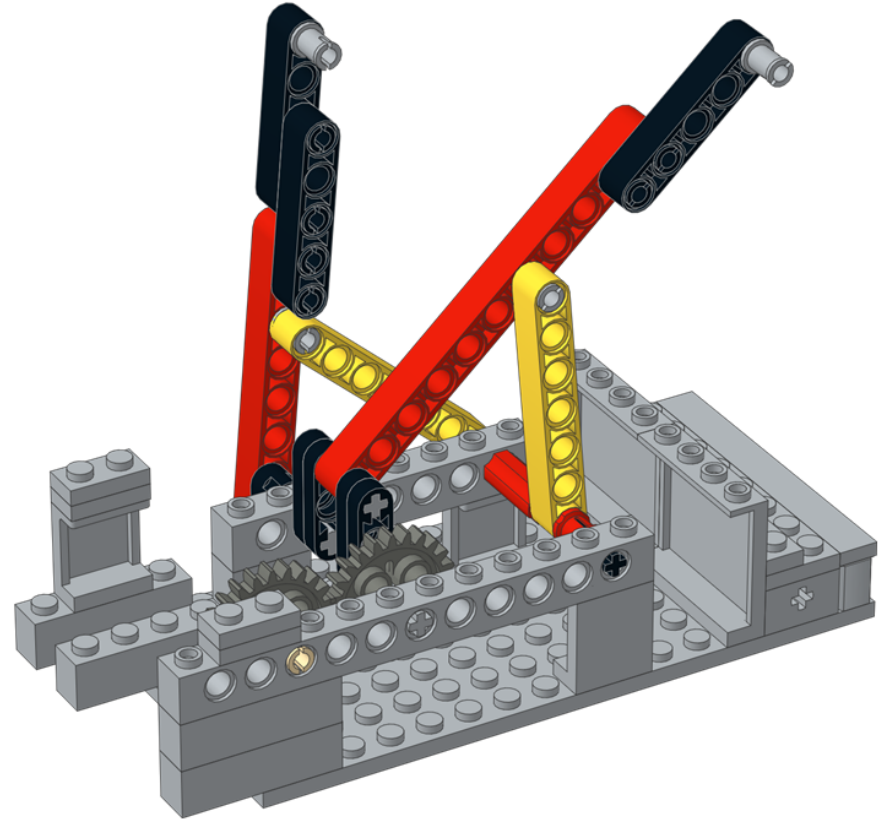


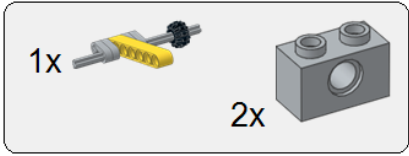


9

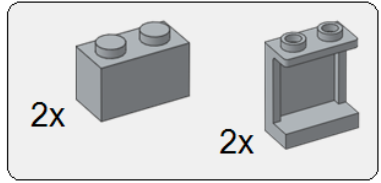
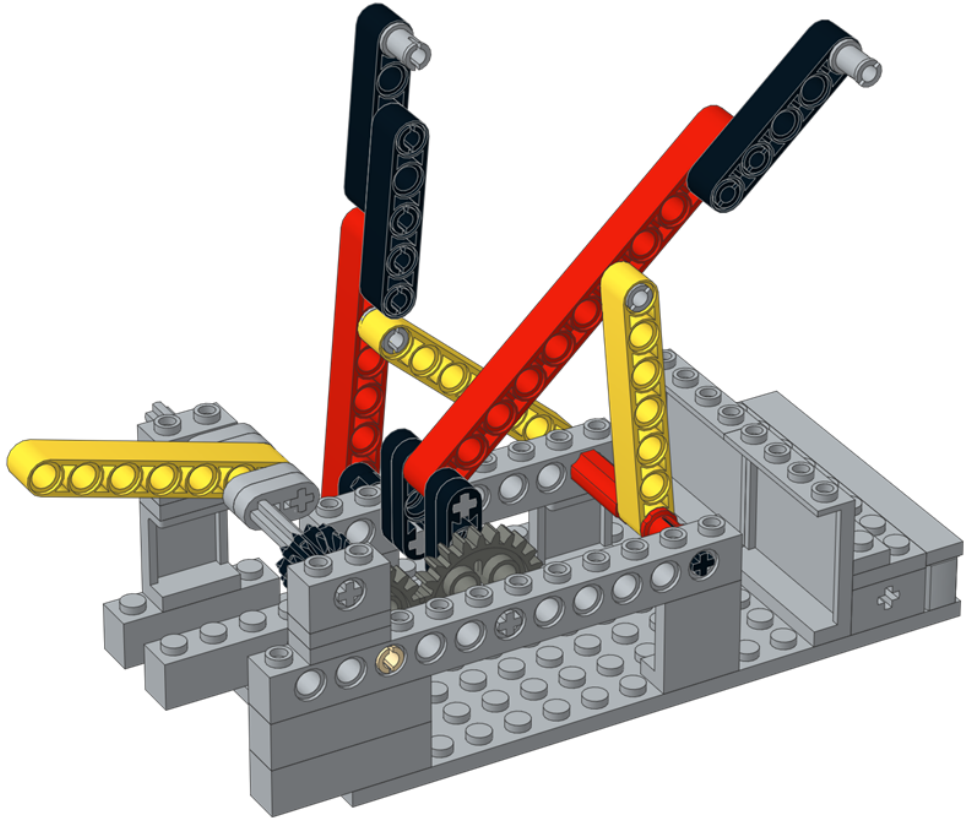


10

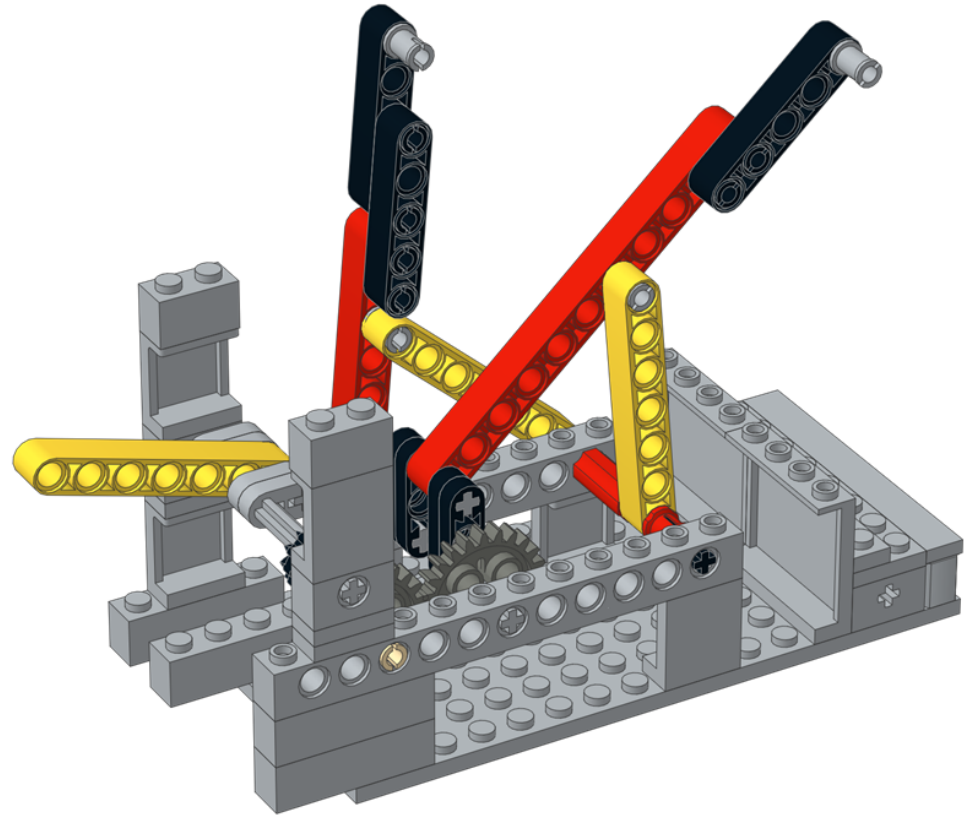


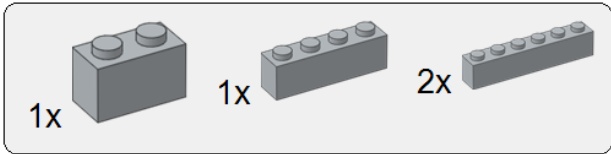


11

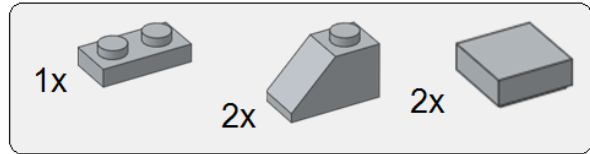
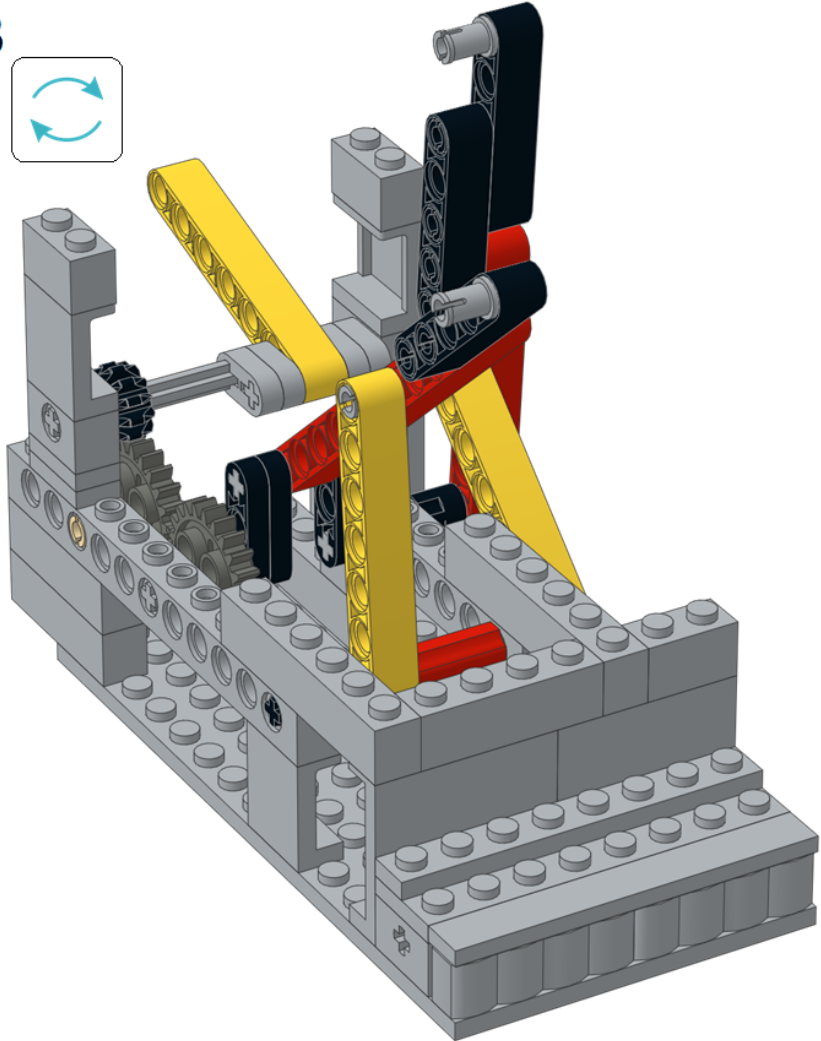


12

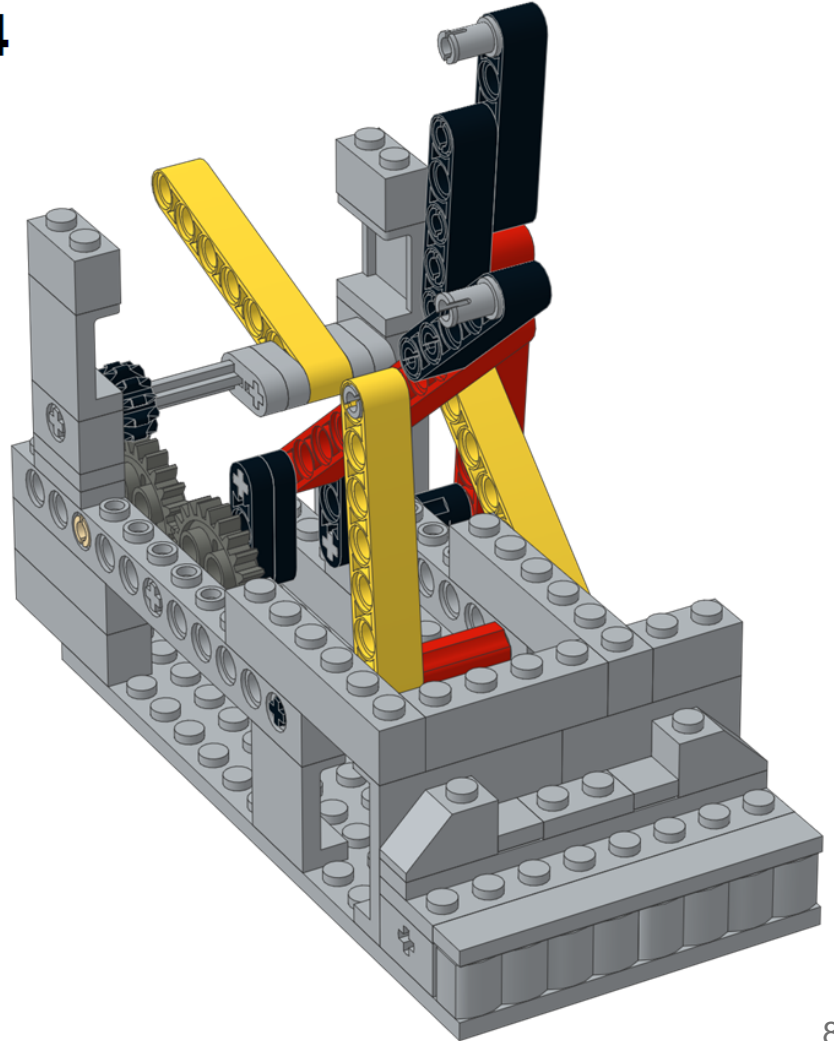


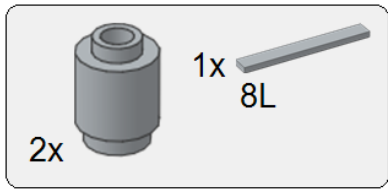


13

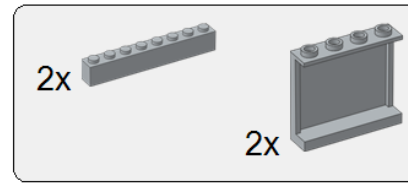
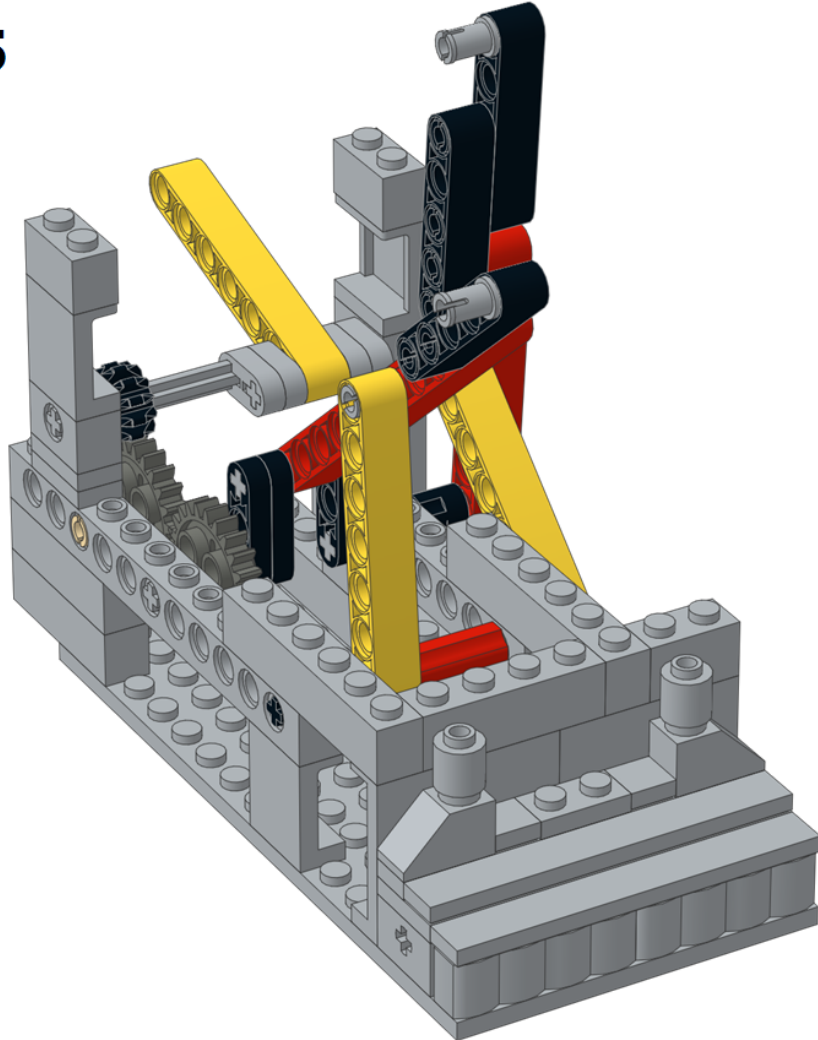


14

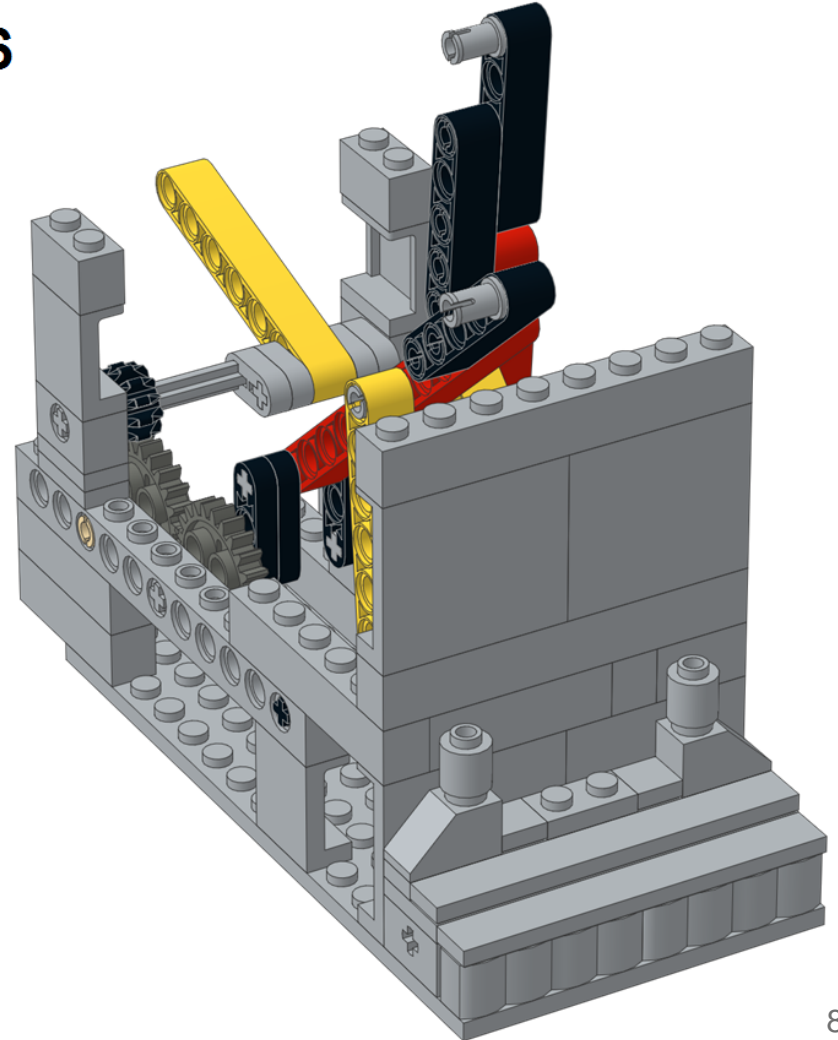


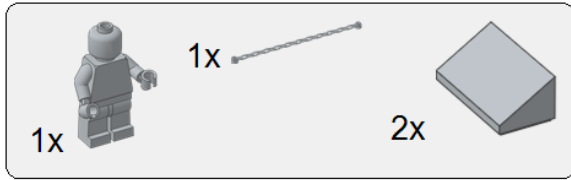


15

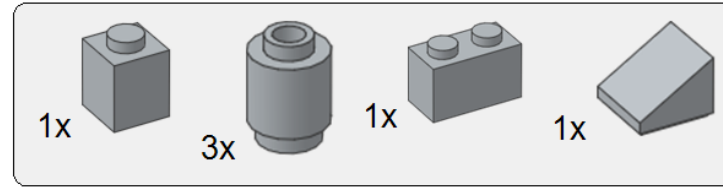
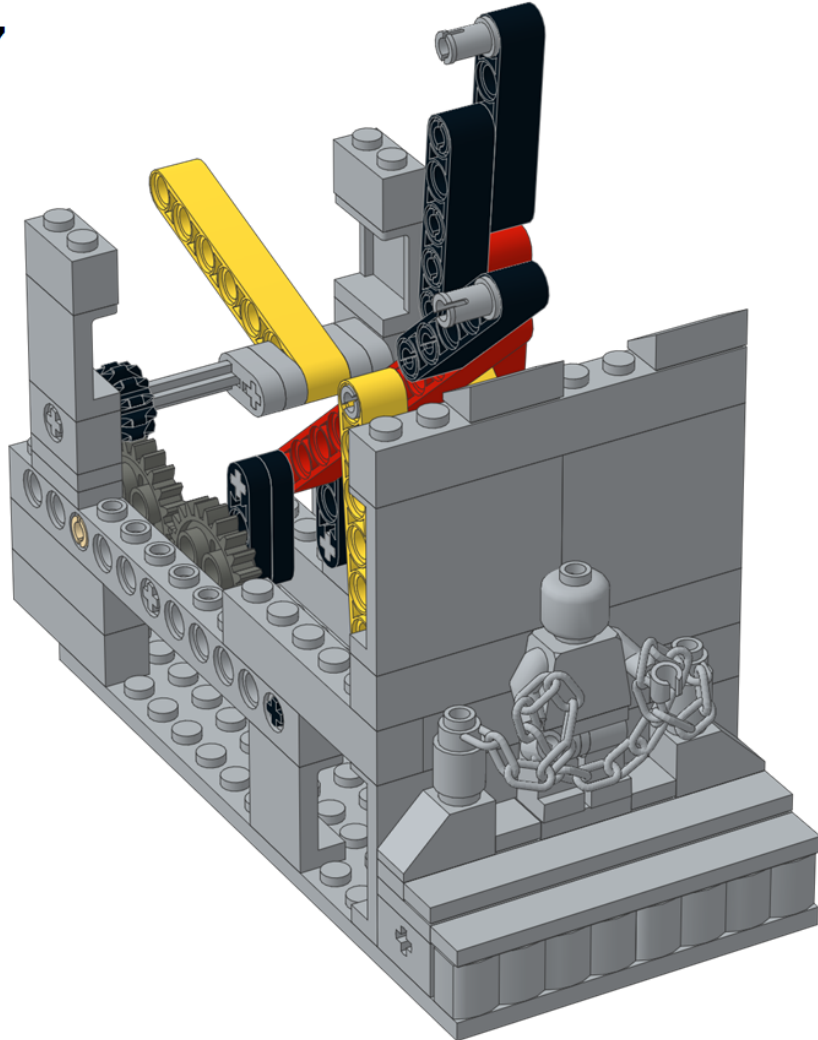


16

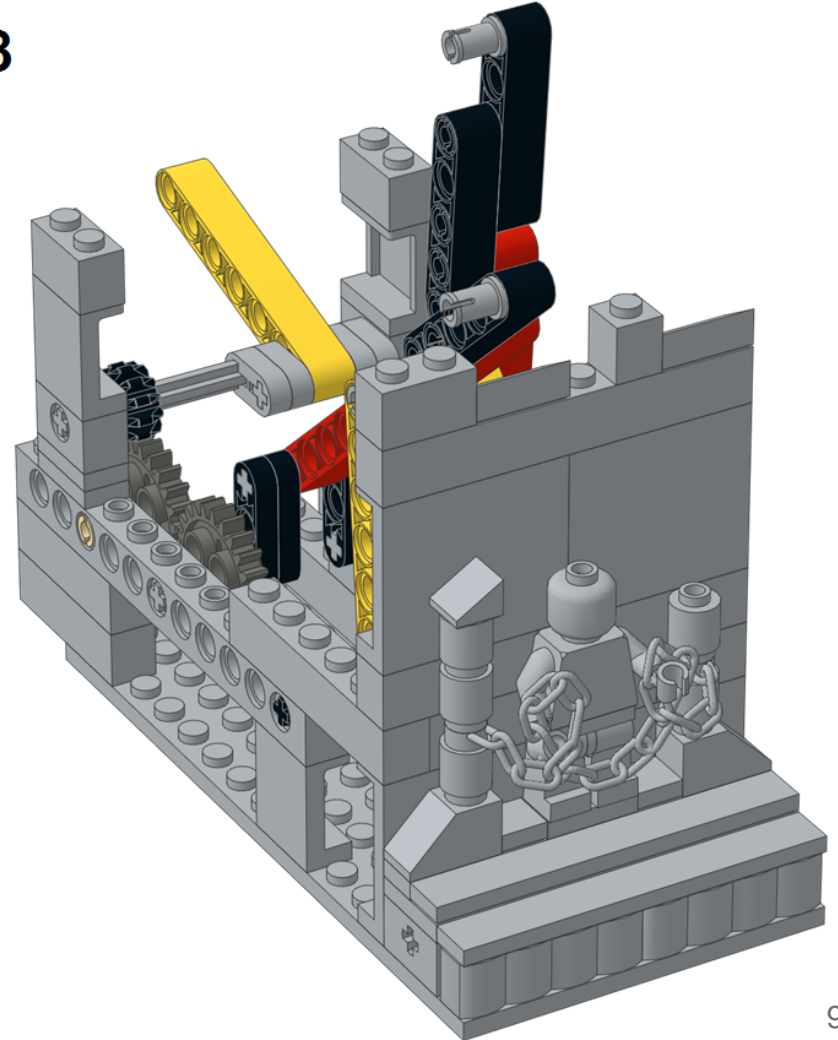


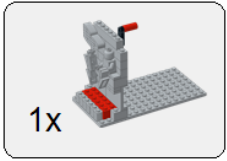


17

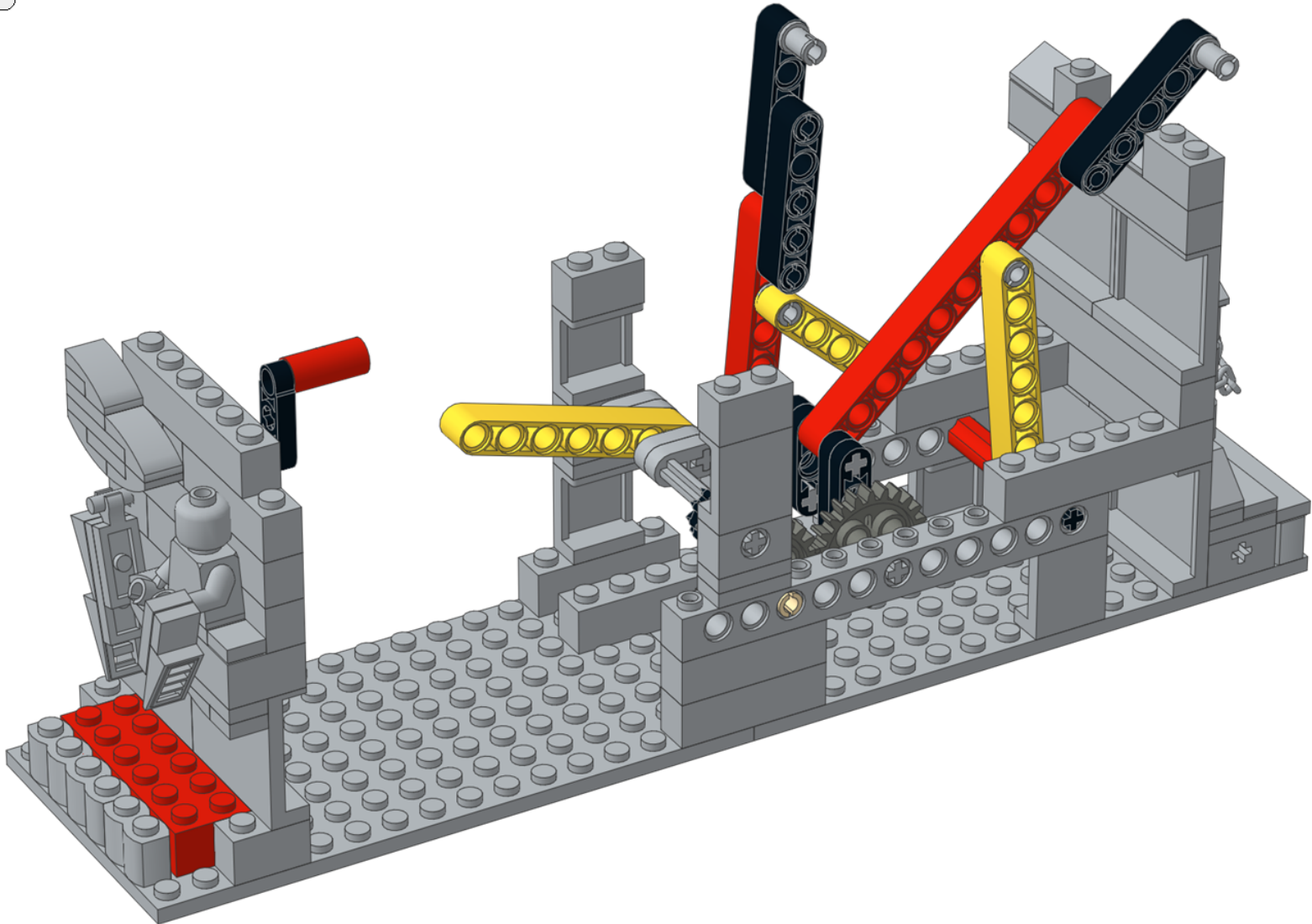


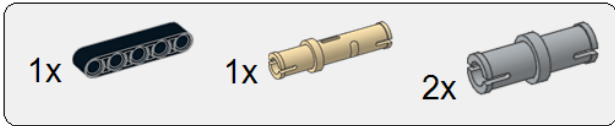
18



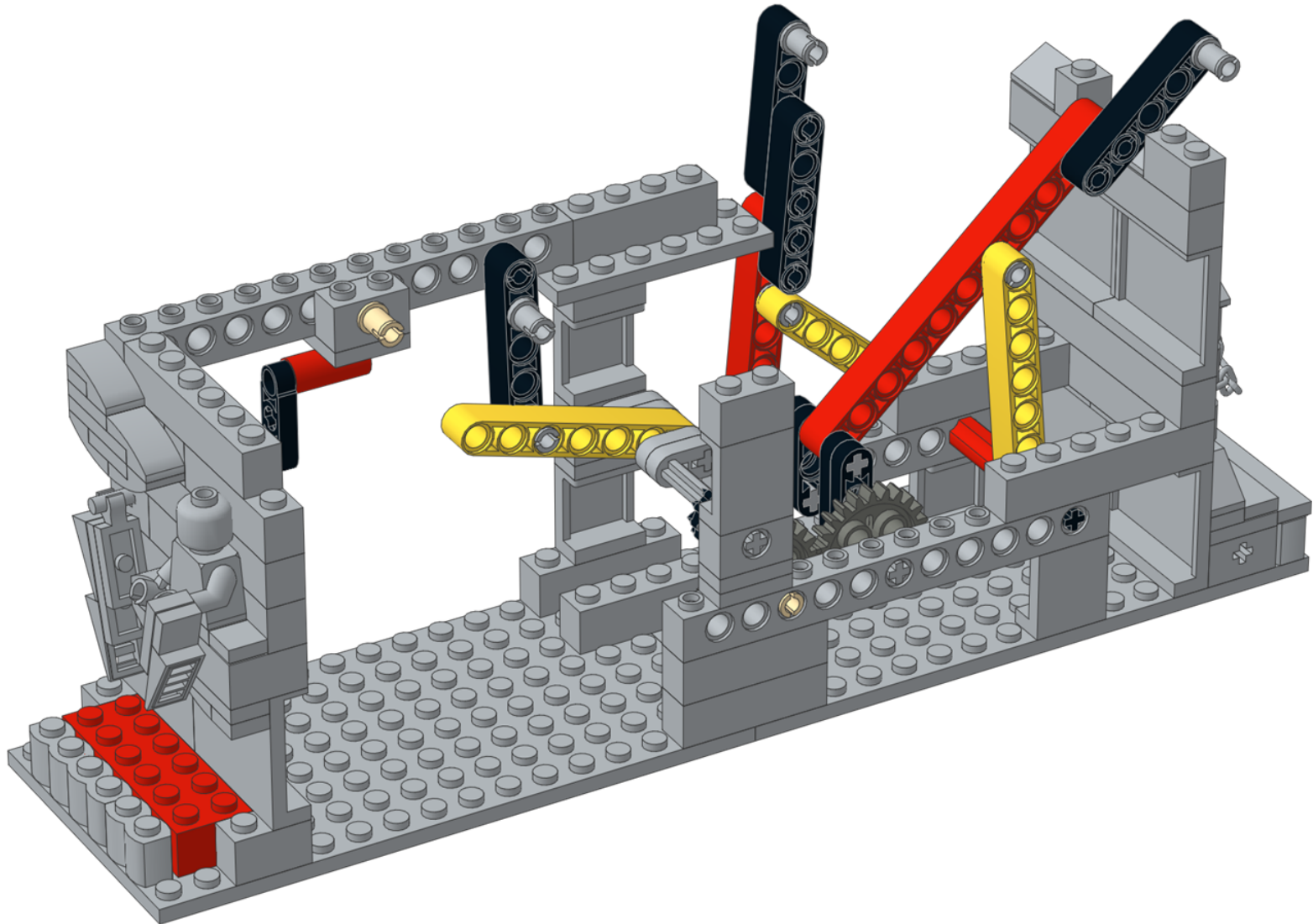


19



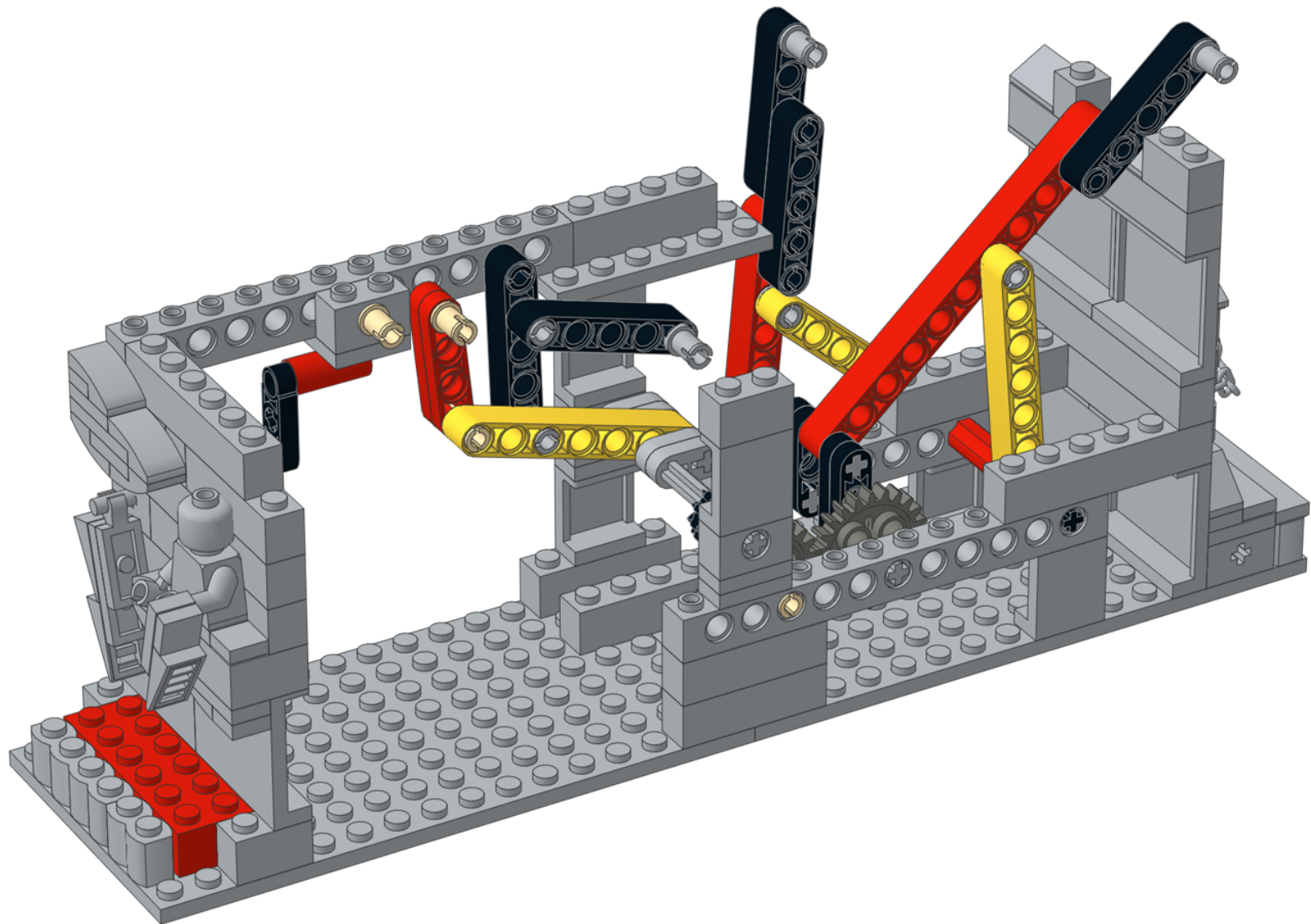


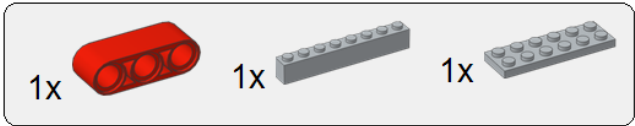
22



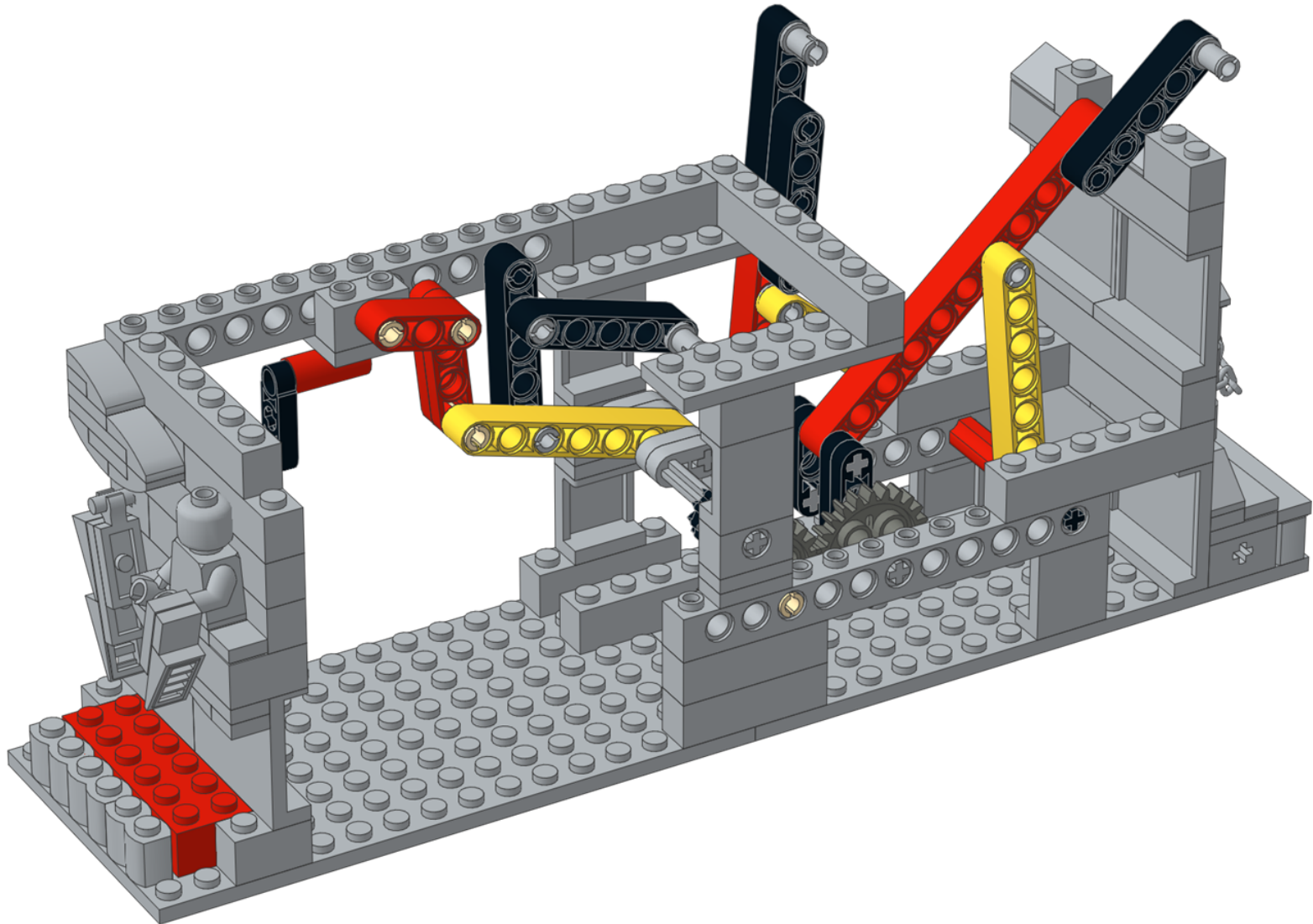
1x  2x  2x  1x 

23



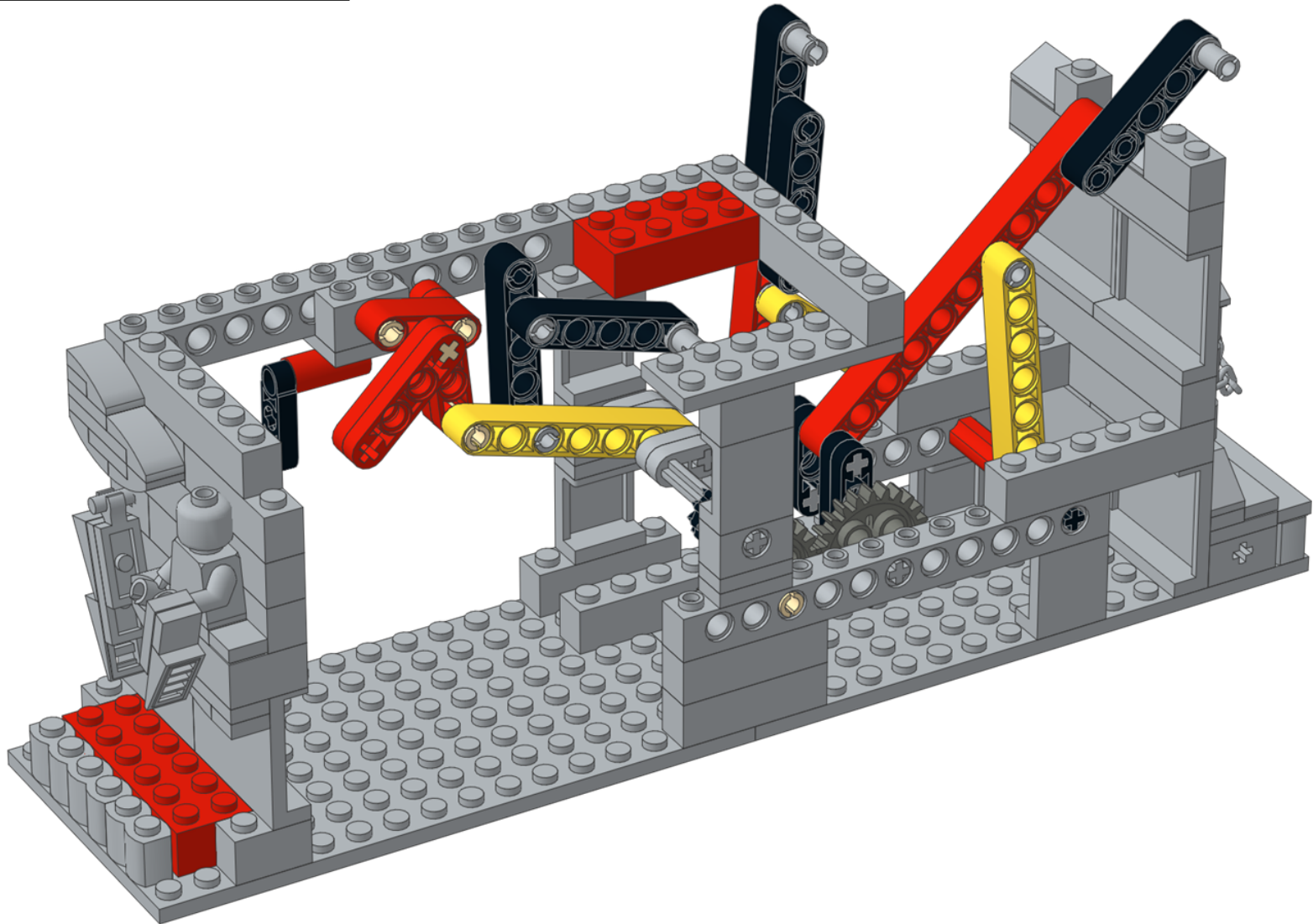


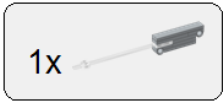
24



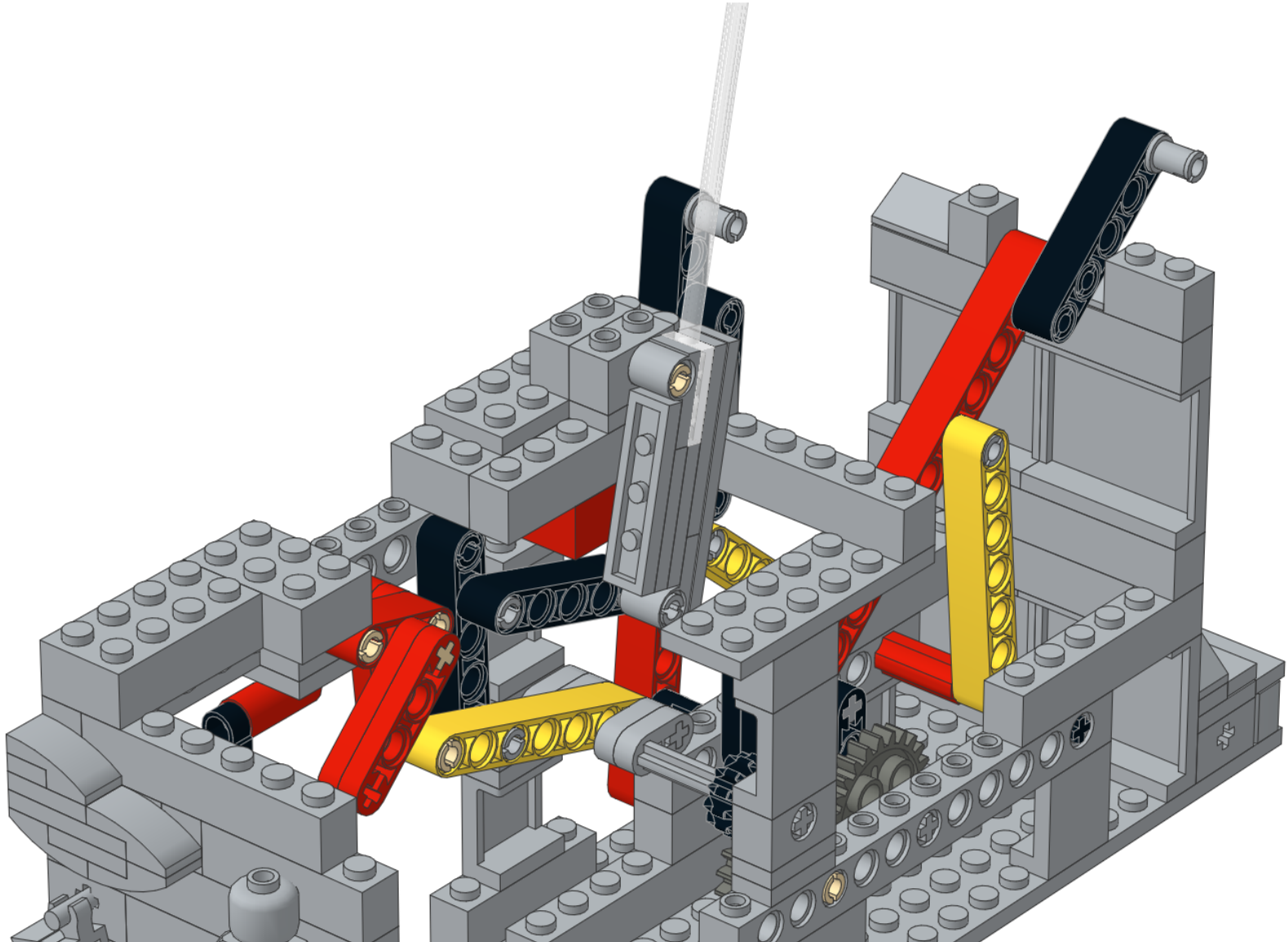


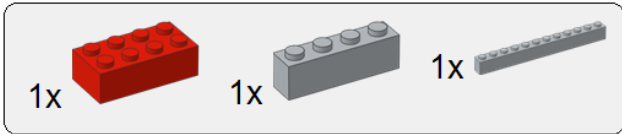
25



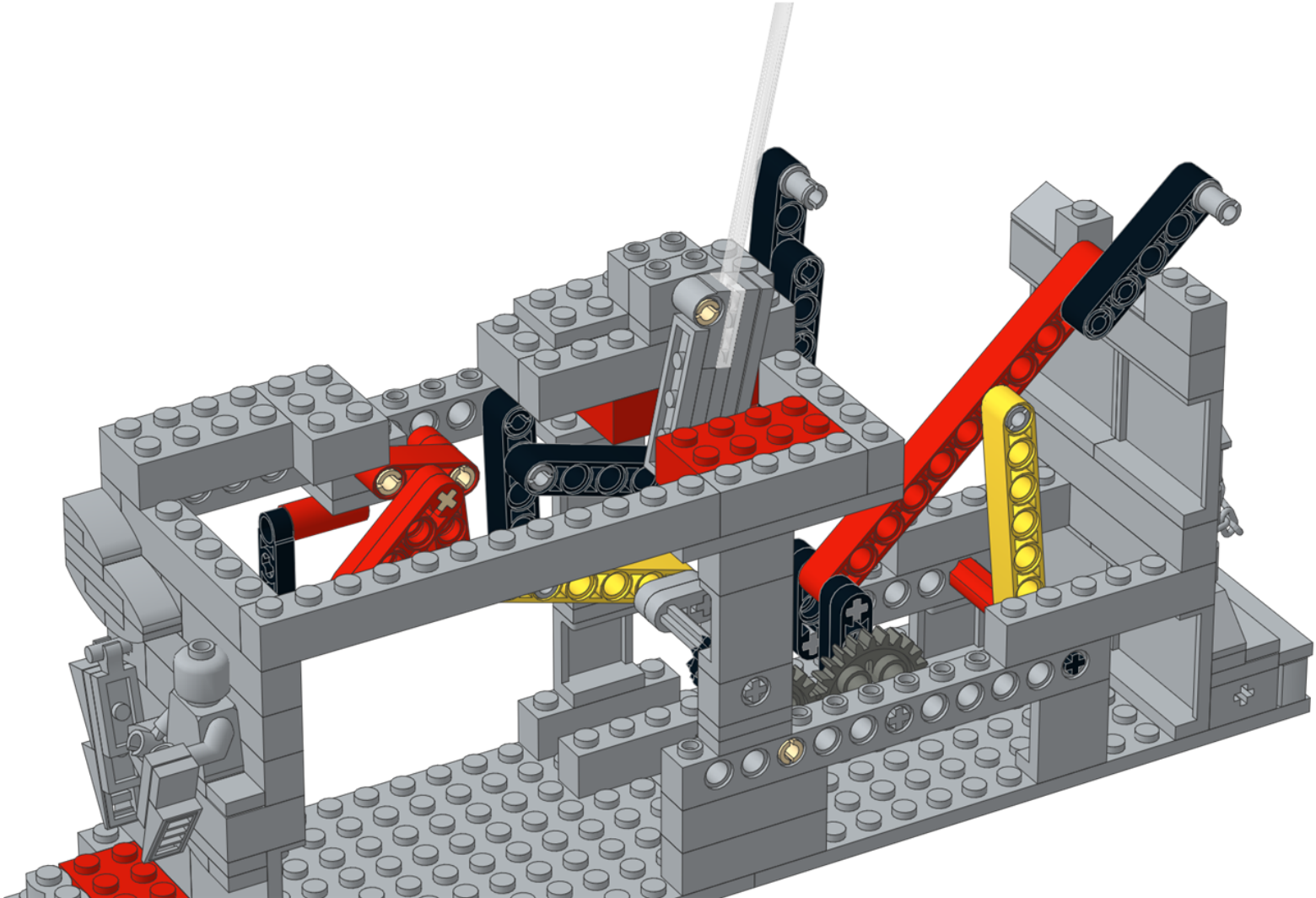


29





30



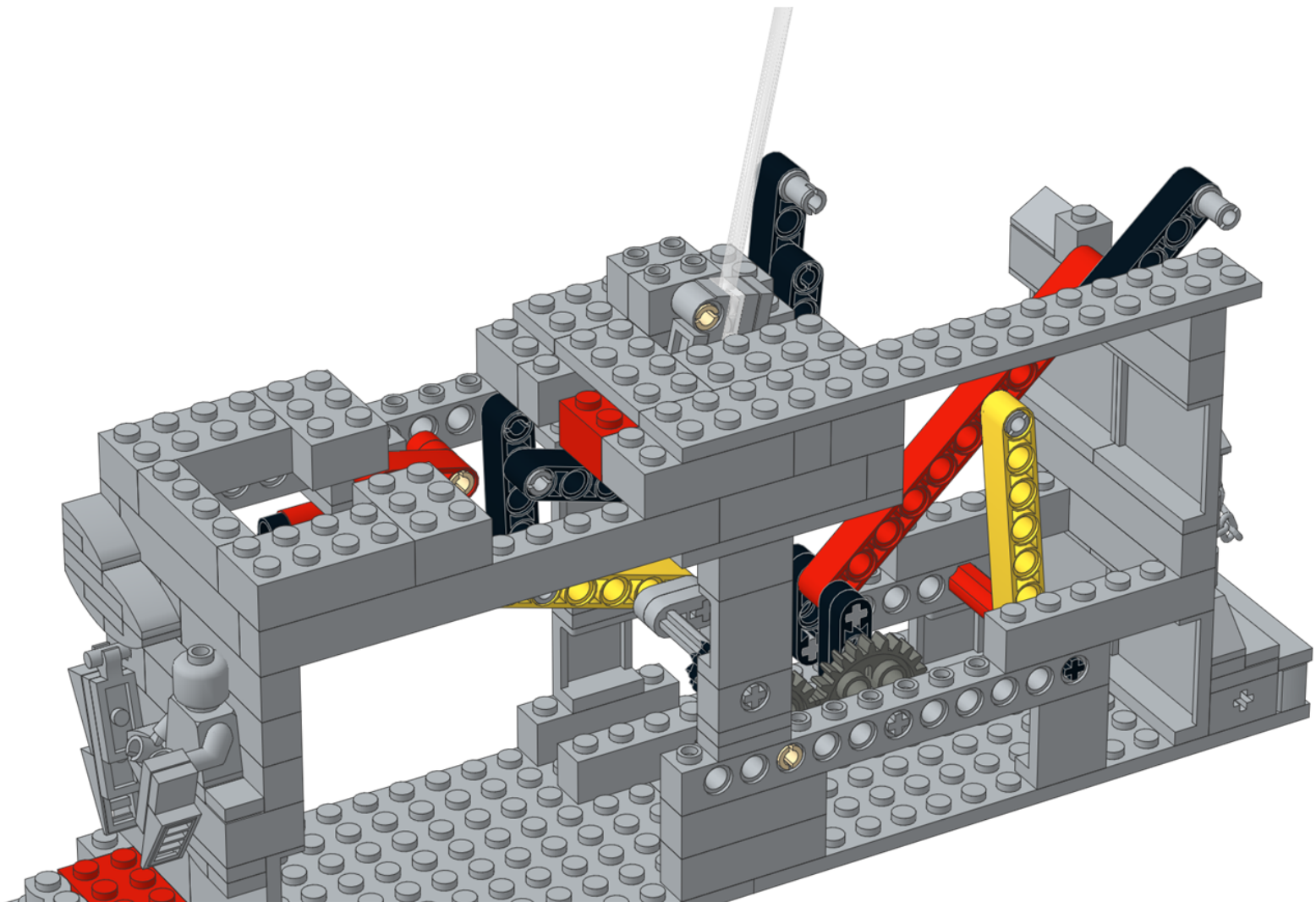
2x



1x

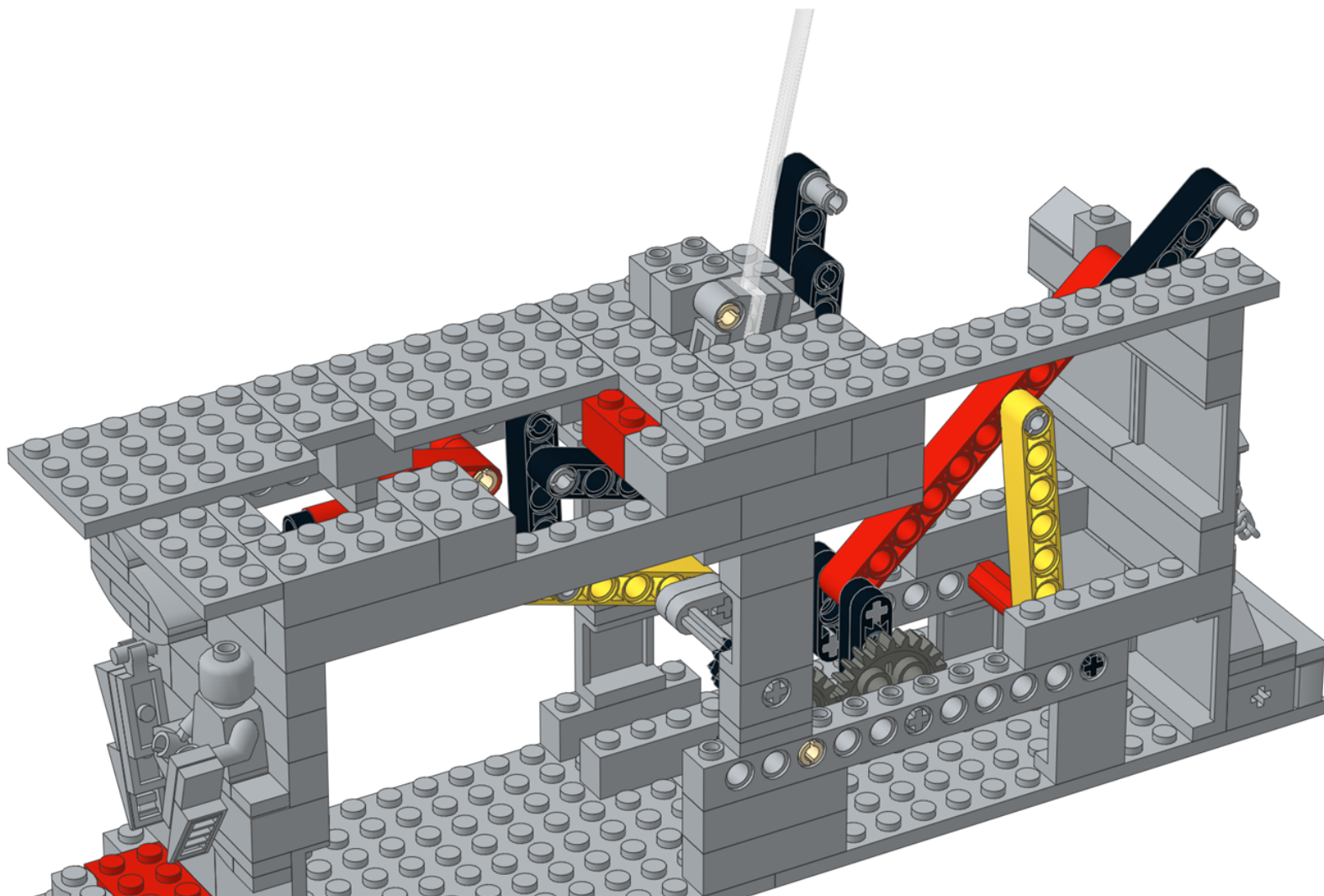


32



1x  1x  2x 

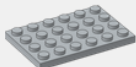
33



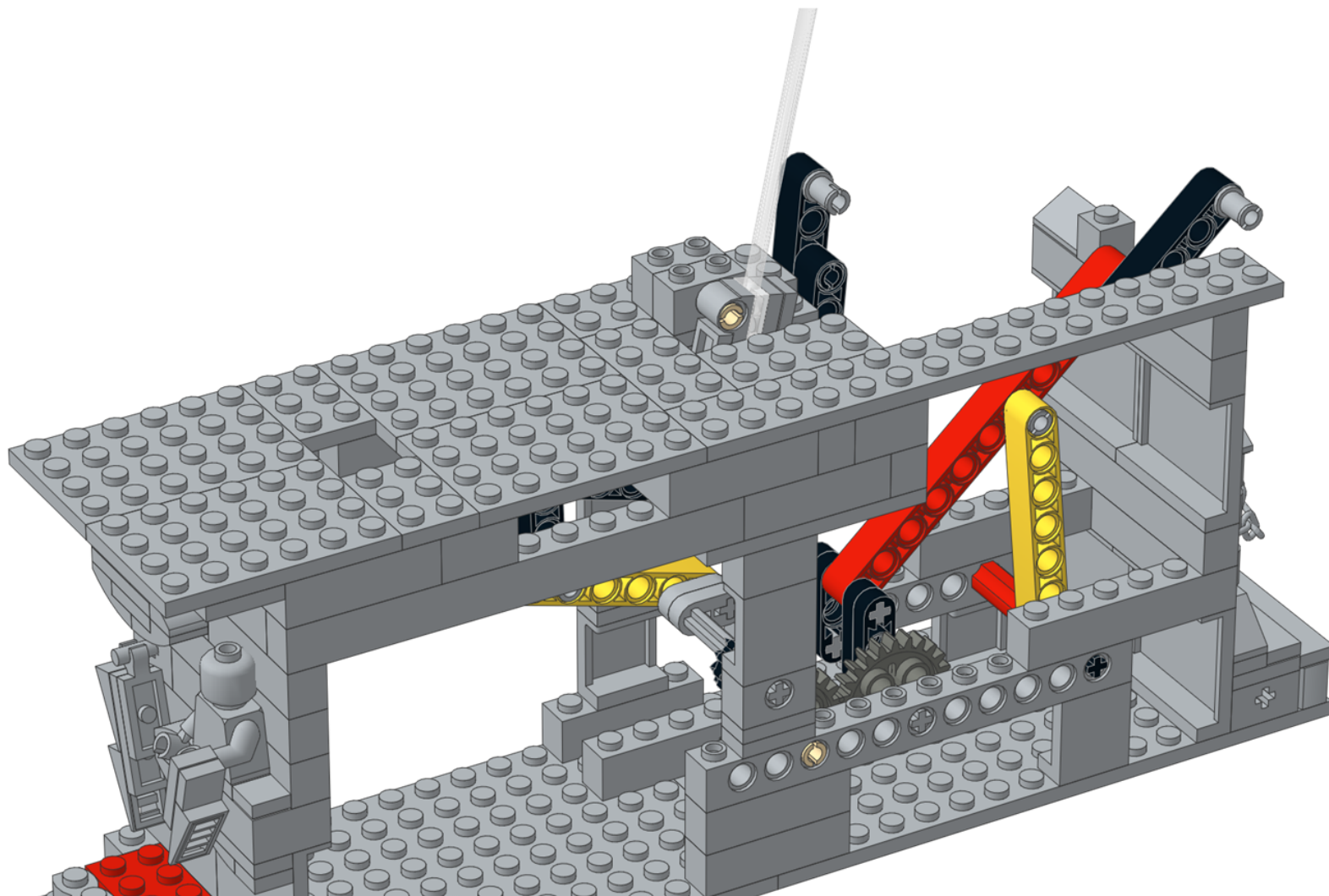
1x

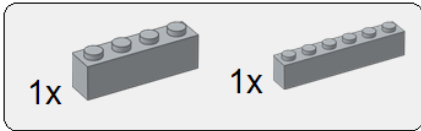


2x

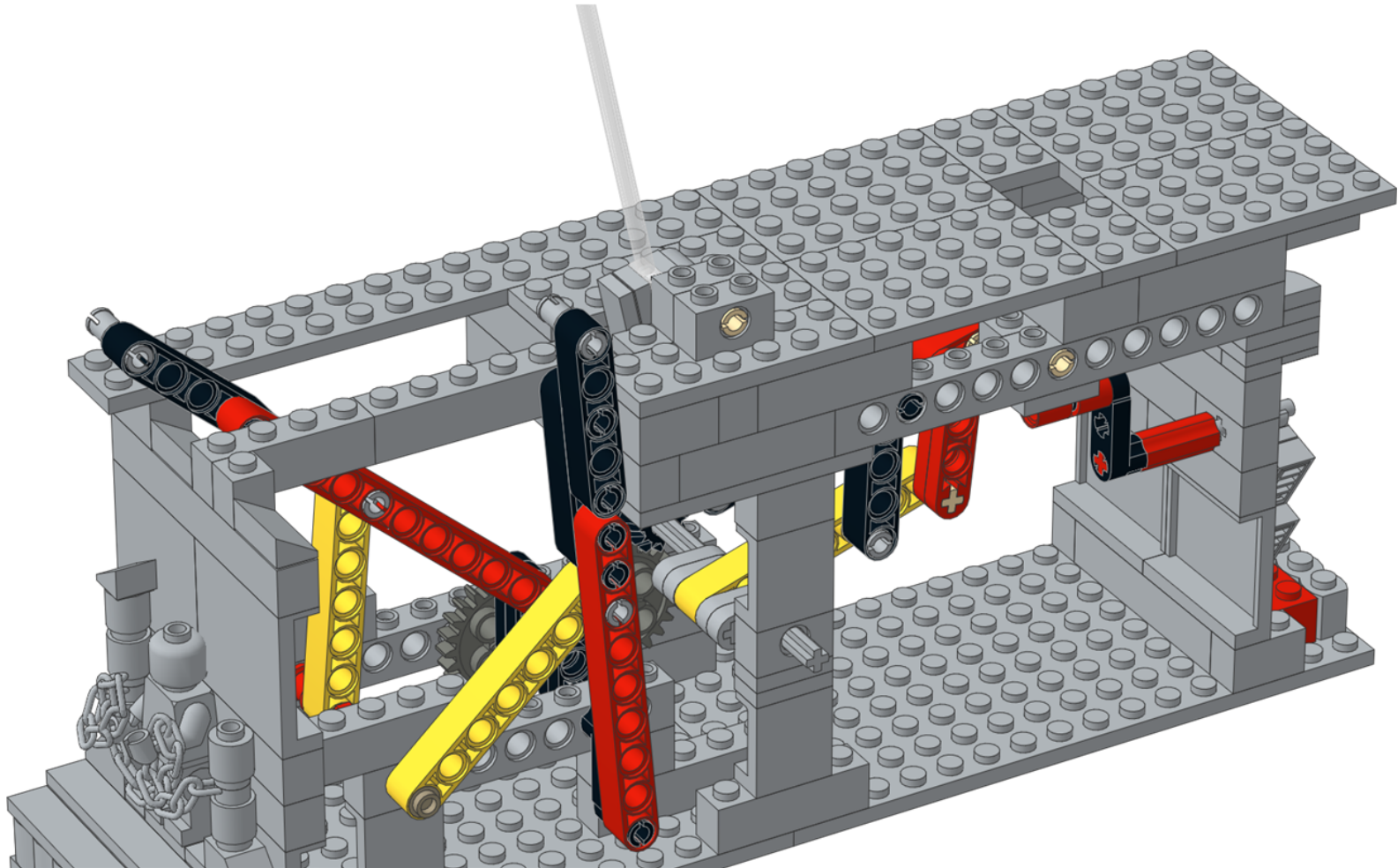


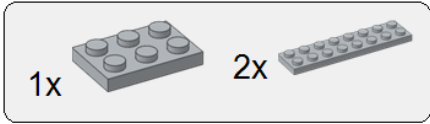
34



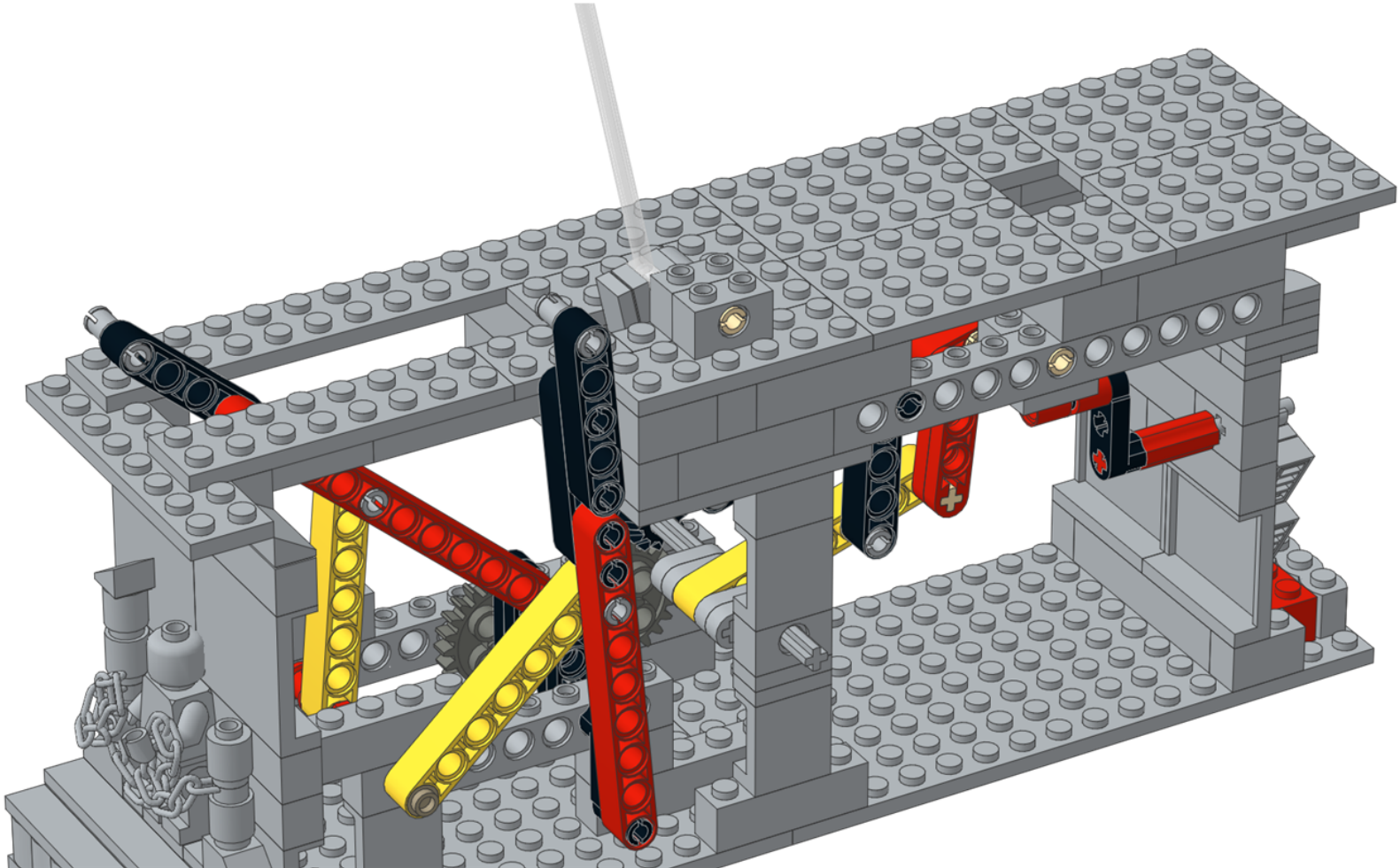


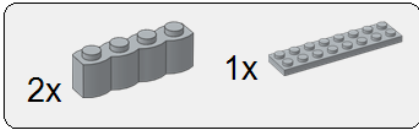
35



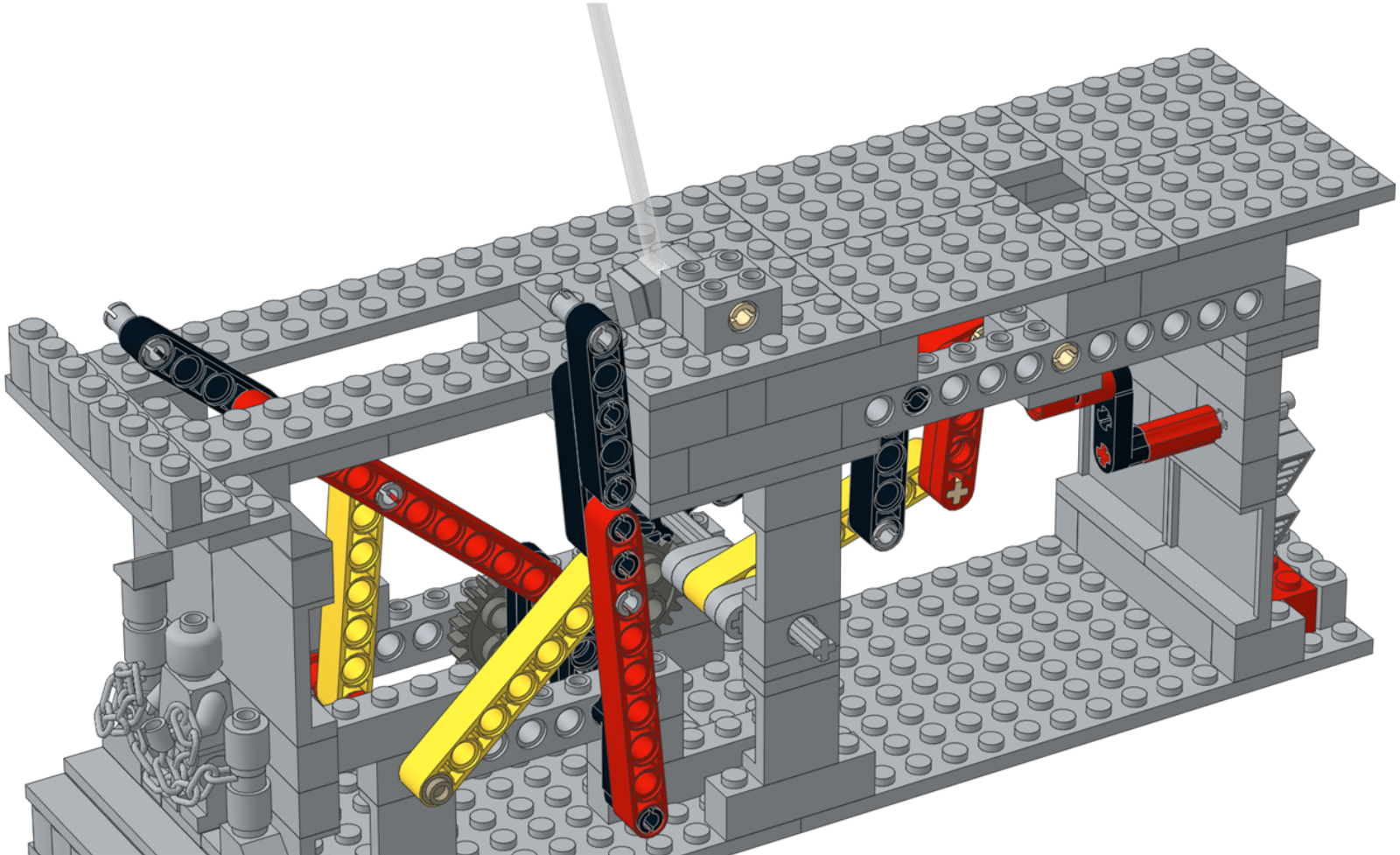


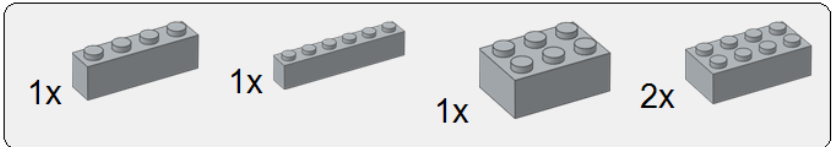
36



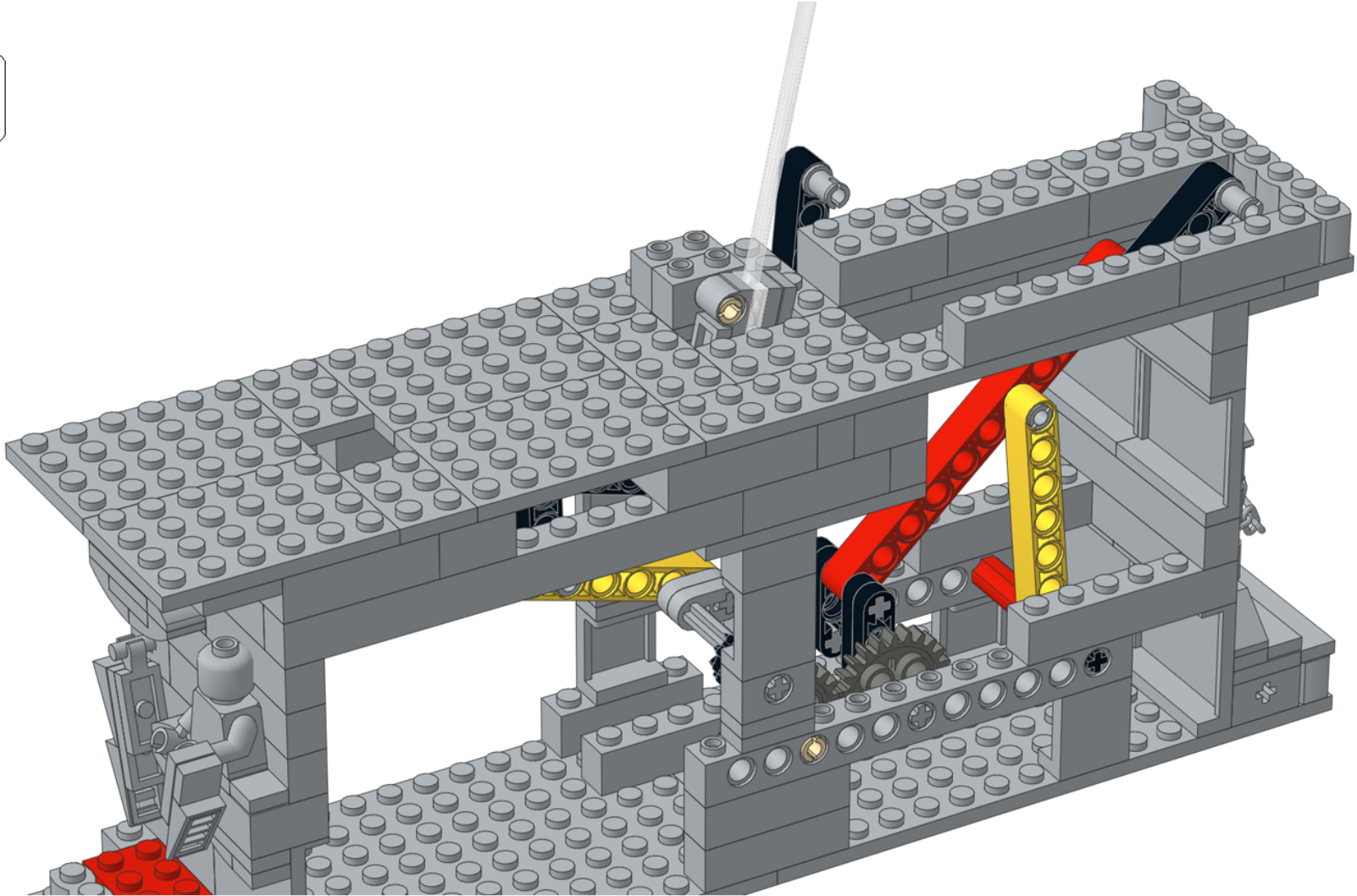


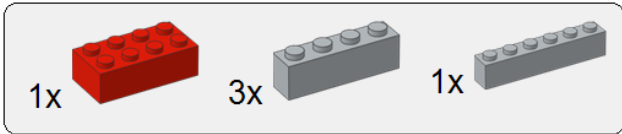
37



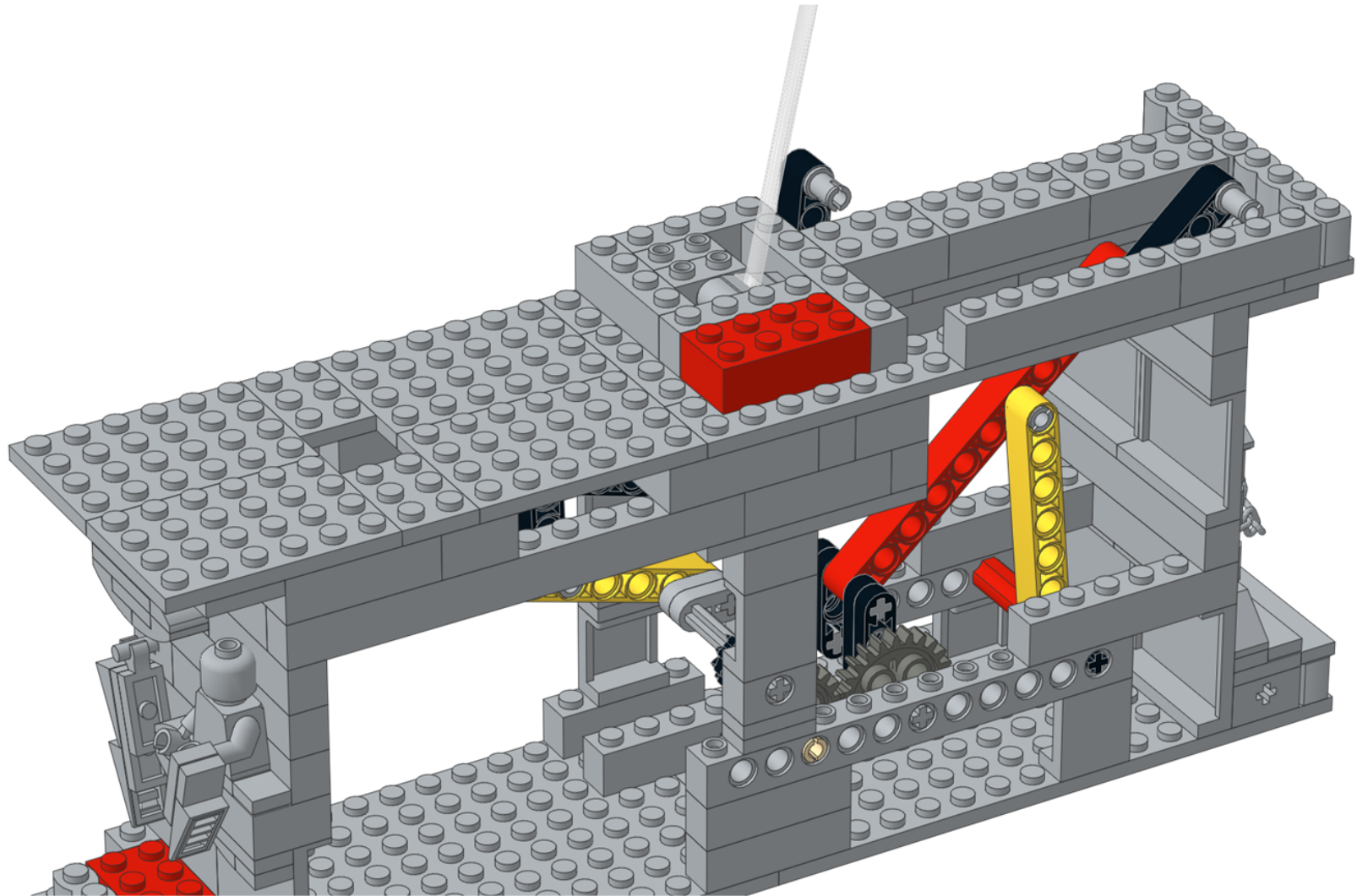


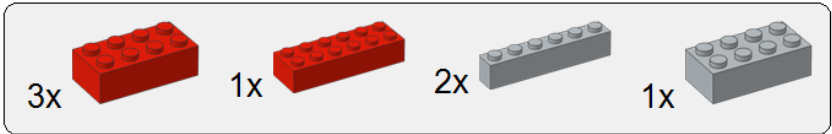
38



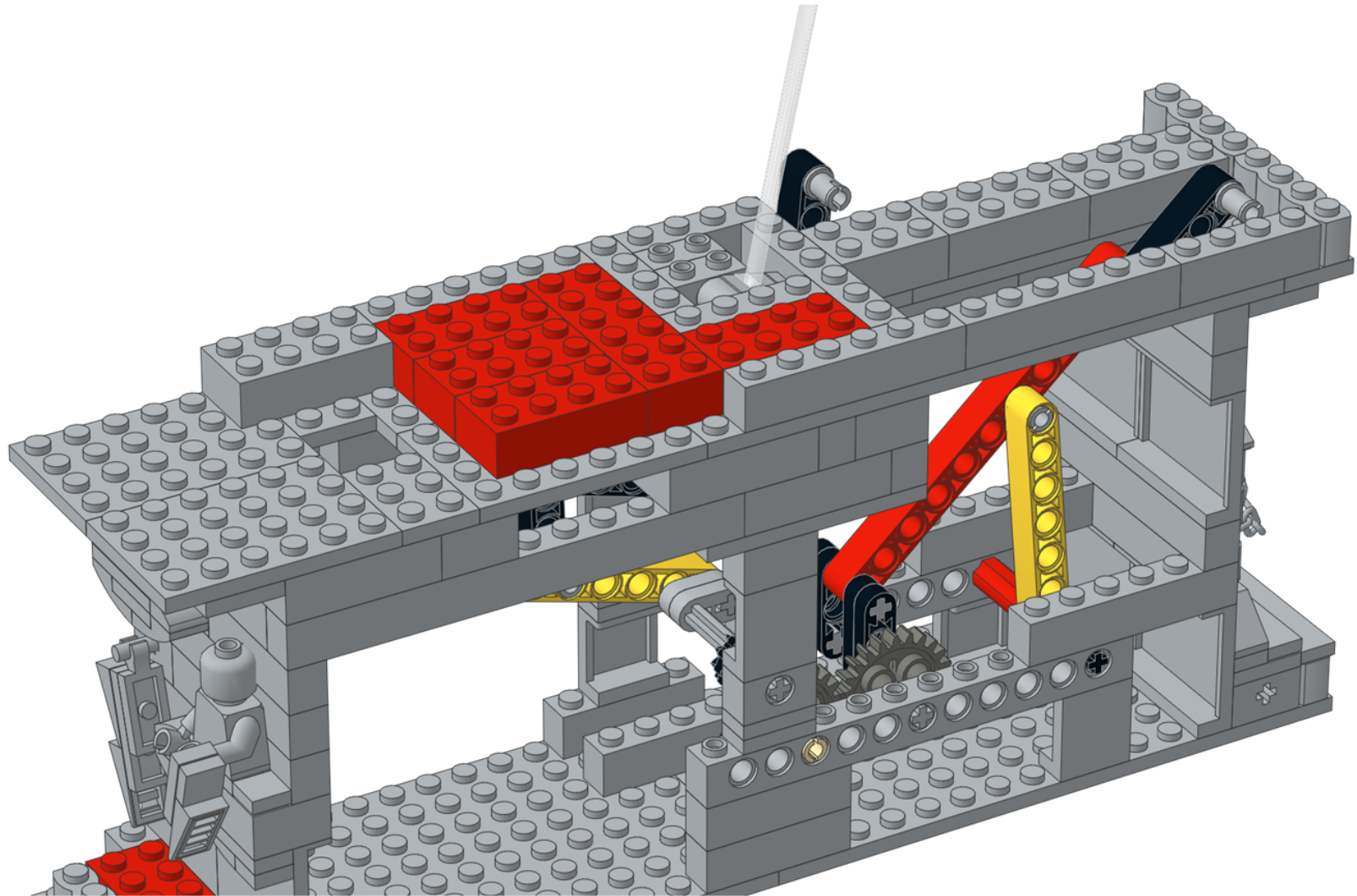


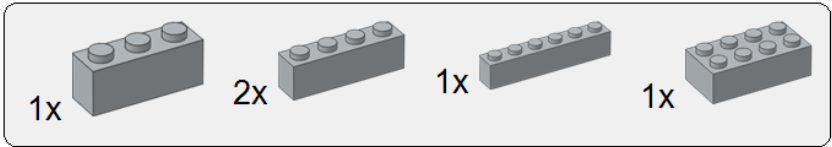
39



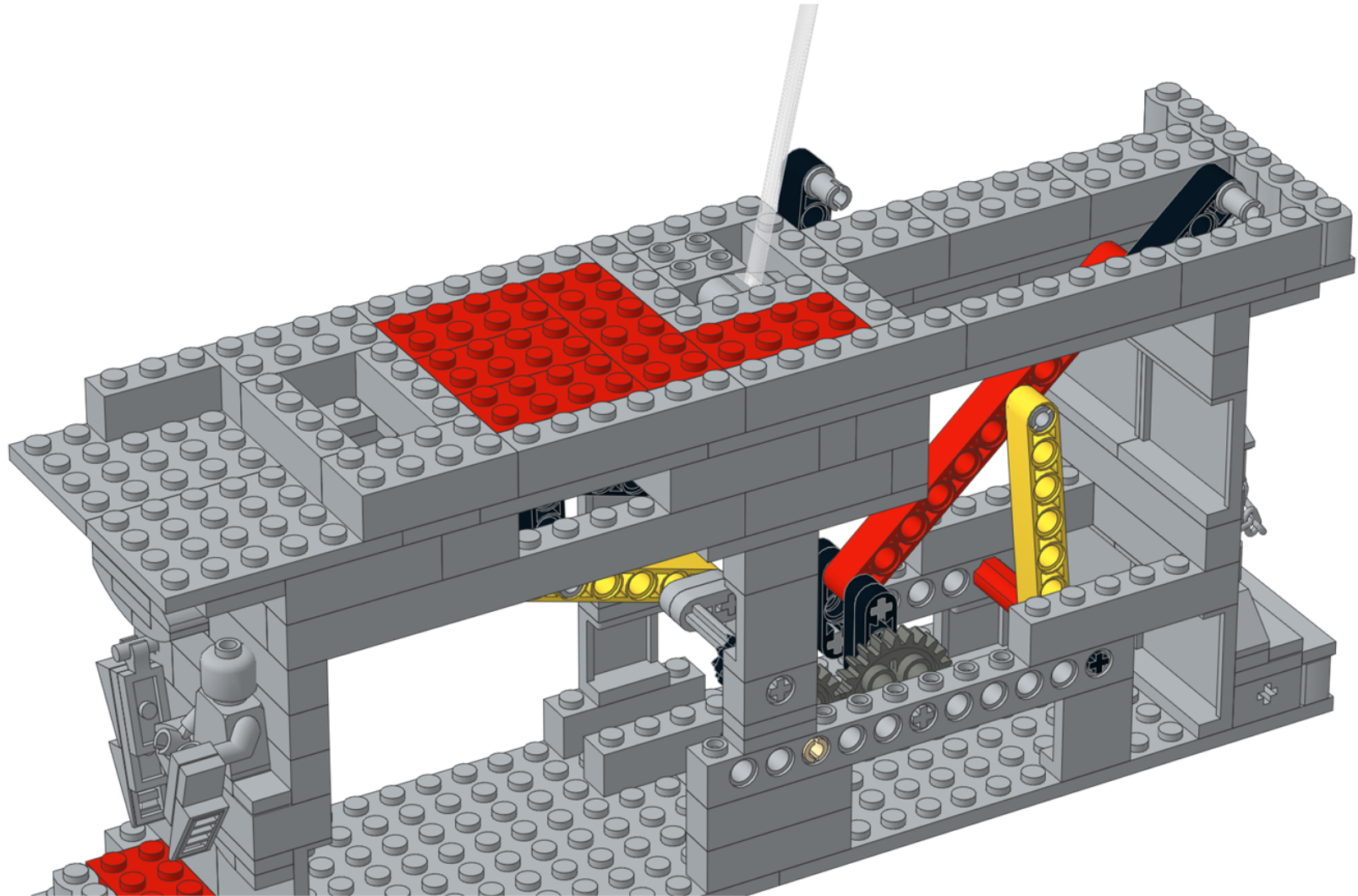


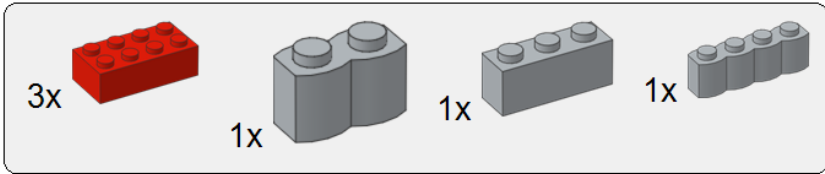
40



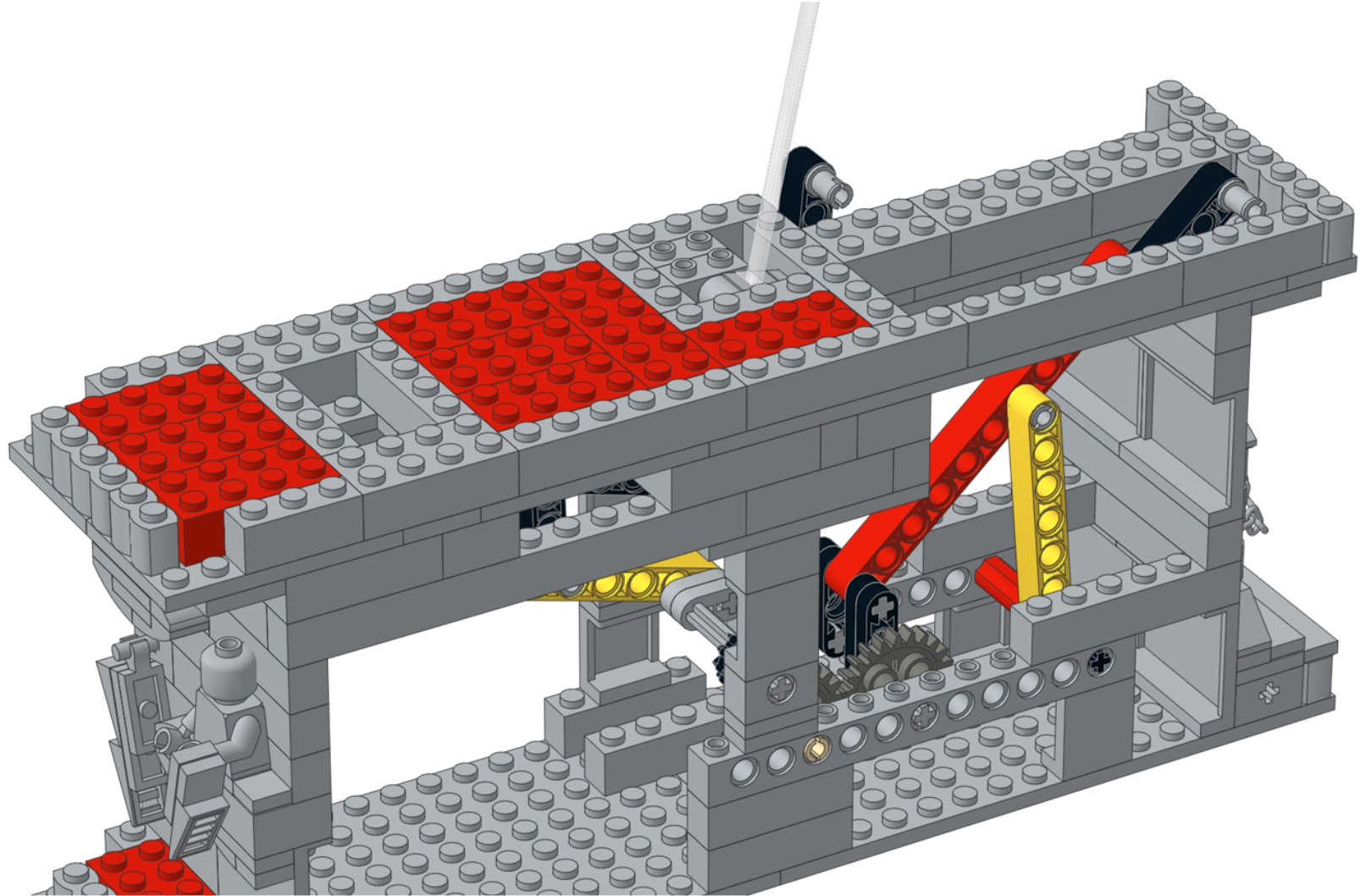


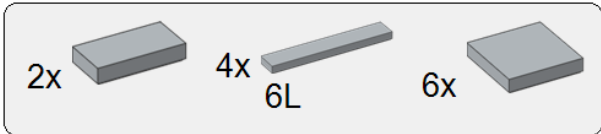
41



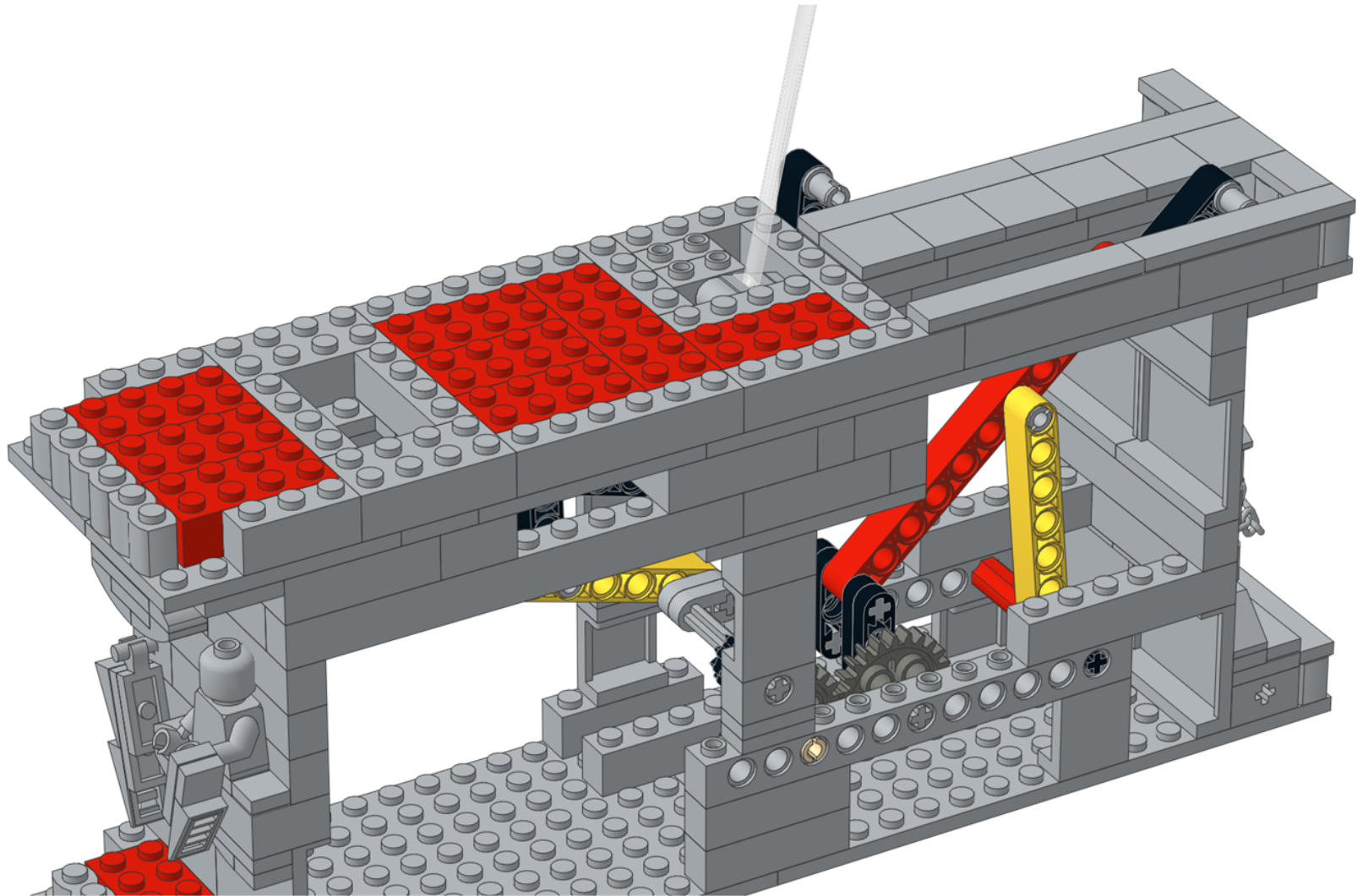


42

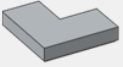




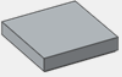
43



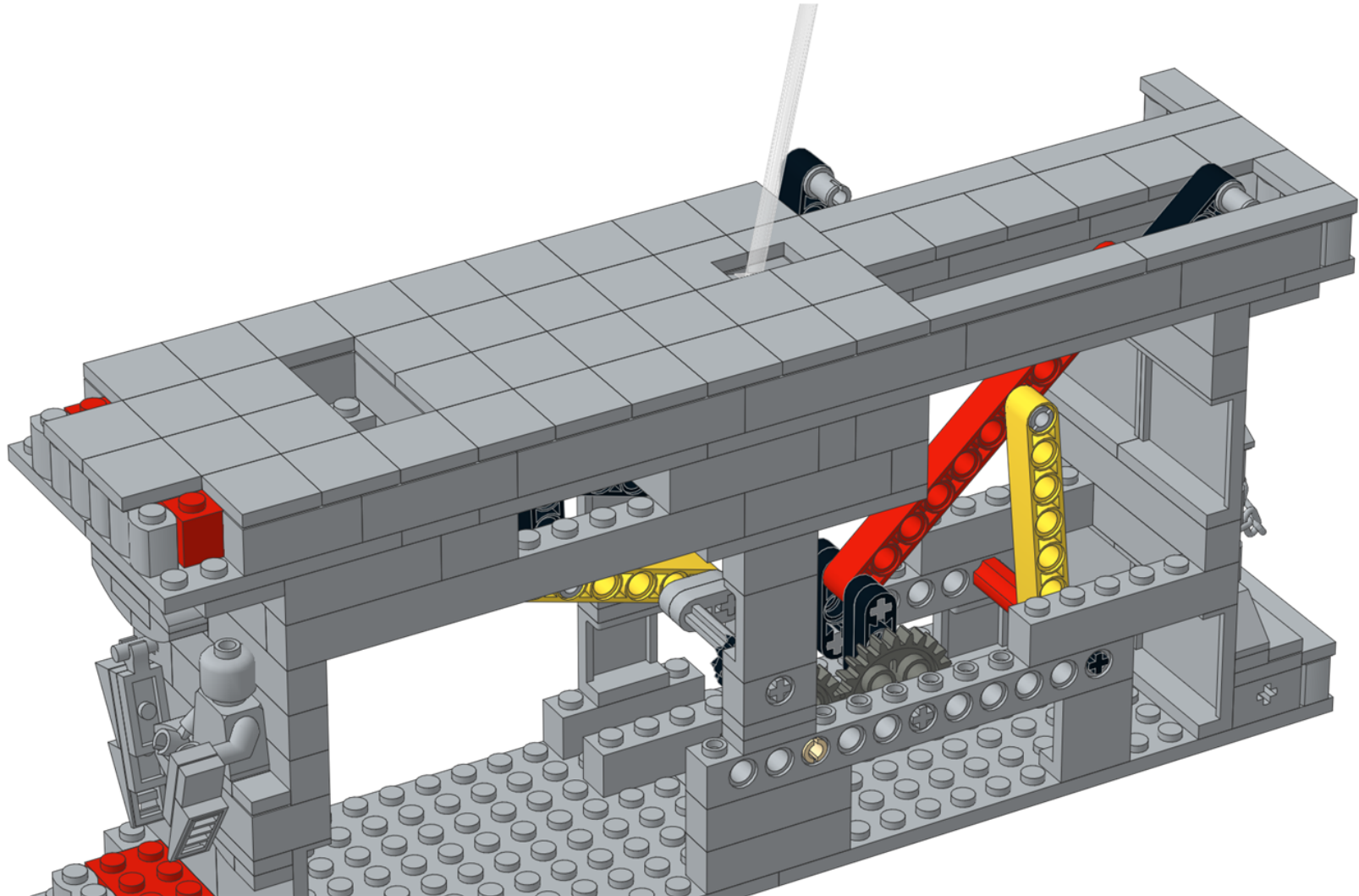
2x

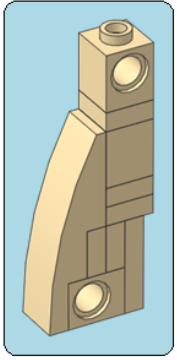


34x

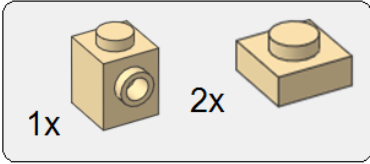


44

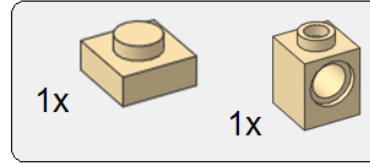
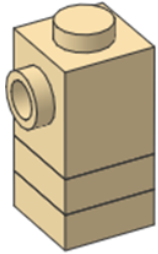




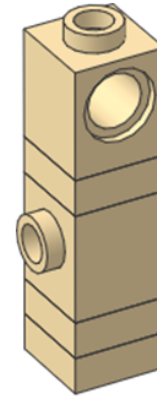
x2

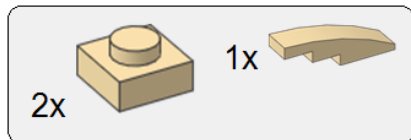


1

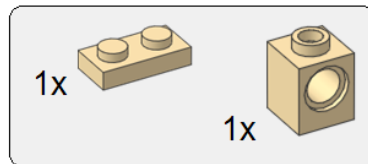
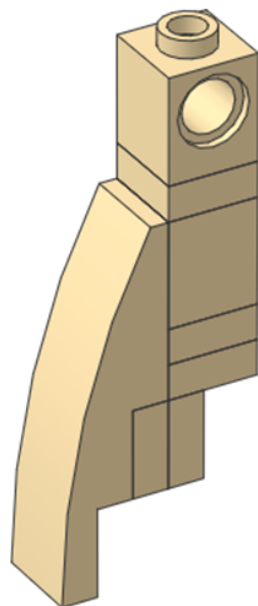


2

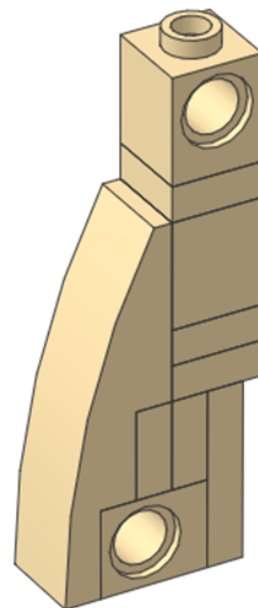




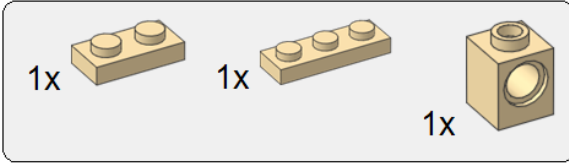
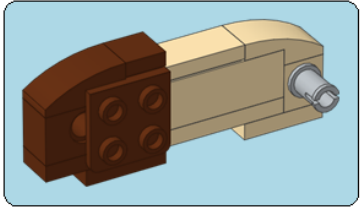
3



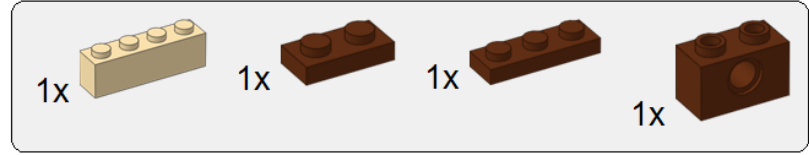
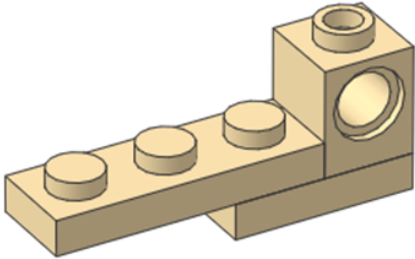
4



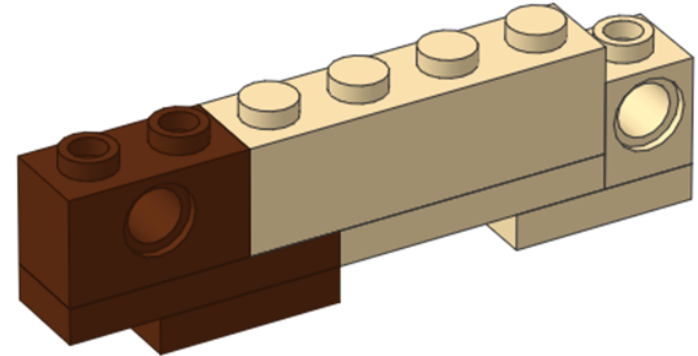
x2

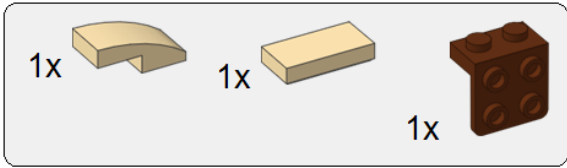


1

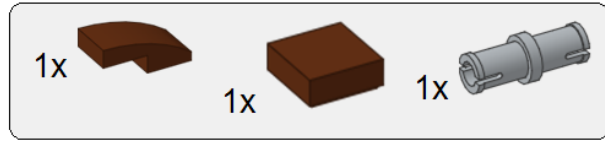
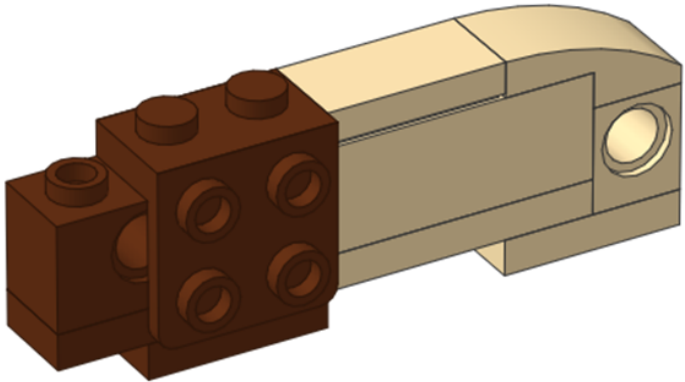


2

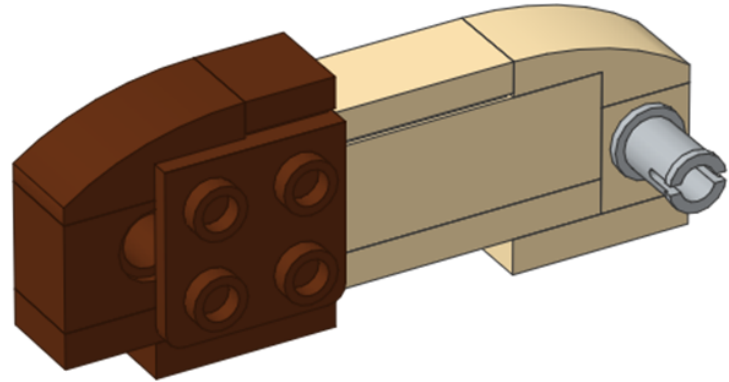


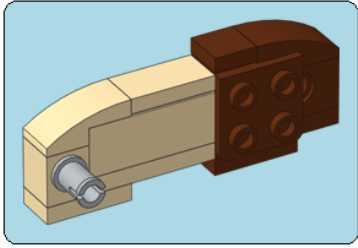


3

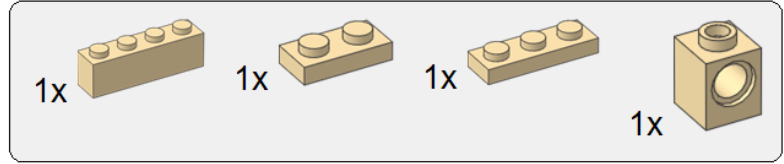
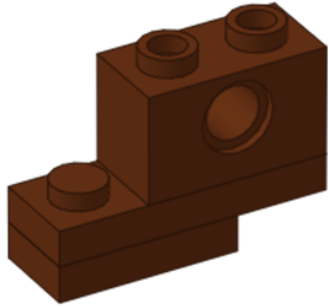


4

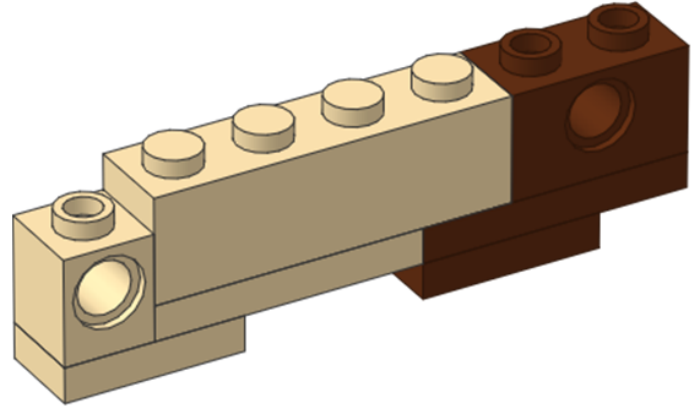


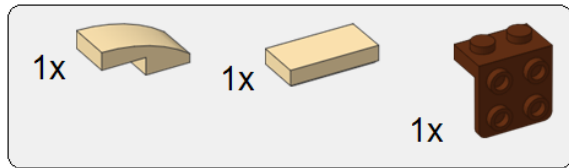


1

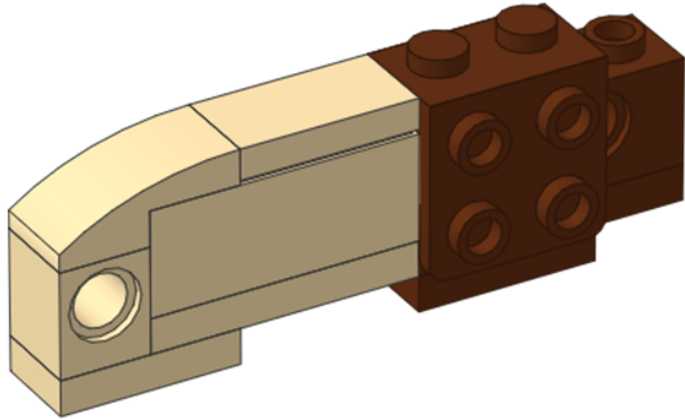


2

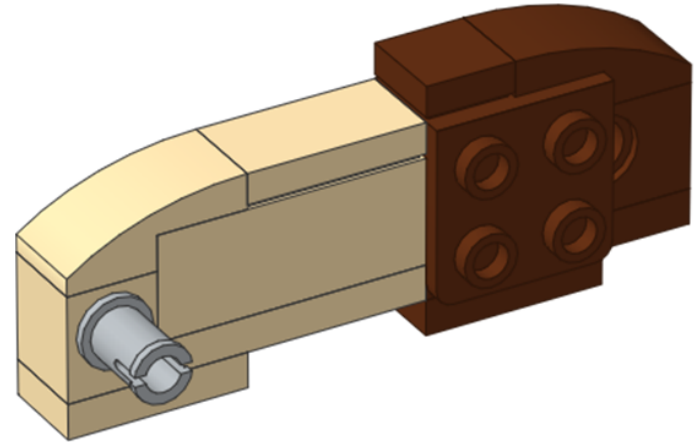


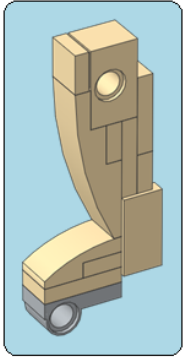


3

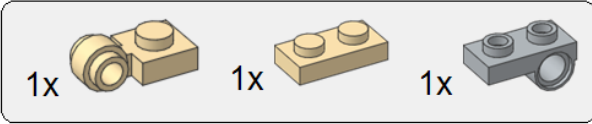


4

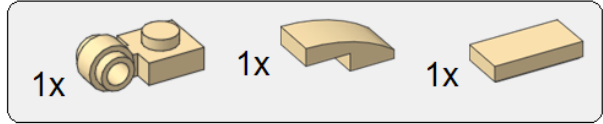
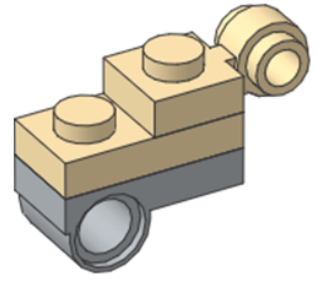




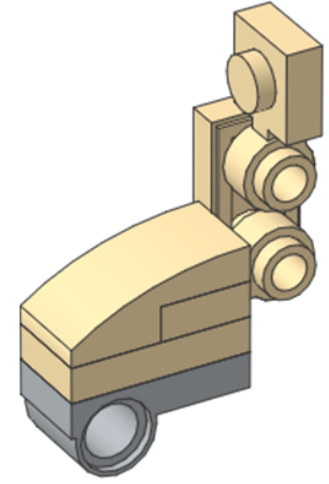
x2

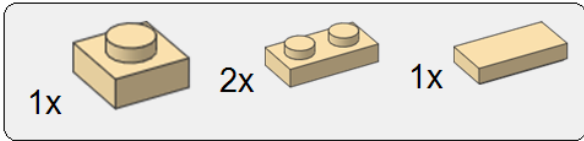


1

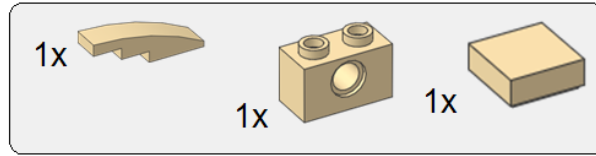
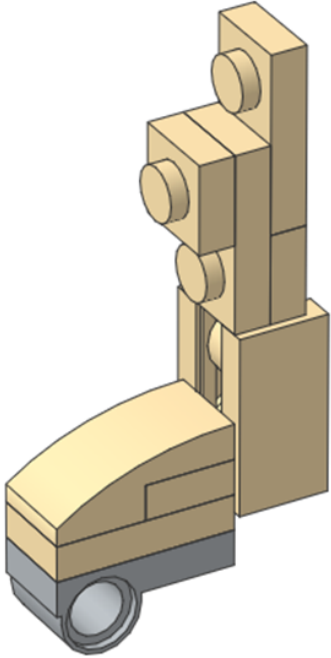


2

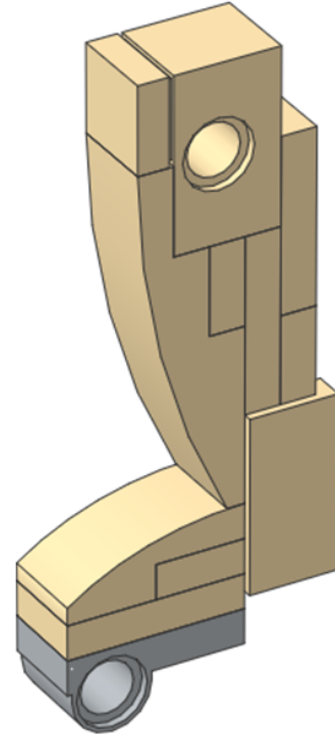




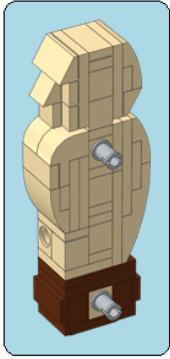
3



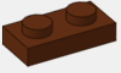
4



x2



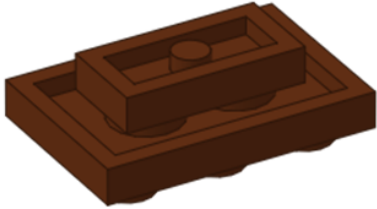
1x



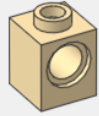
1x



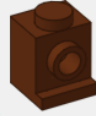
1



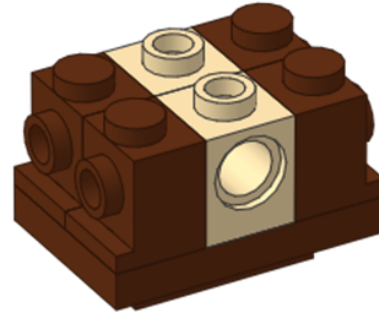
2x



4x

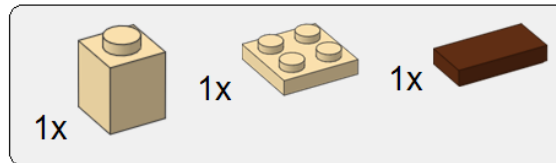
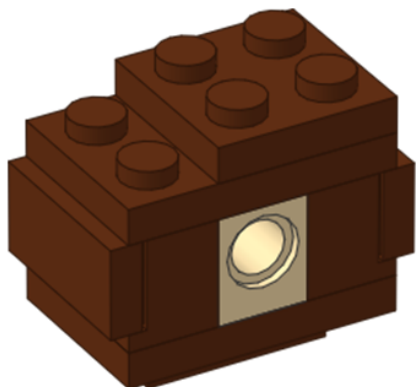


2

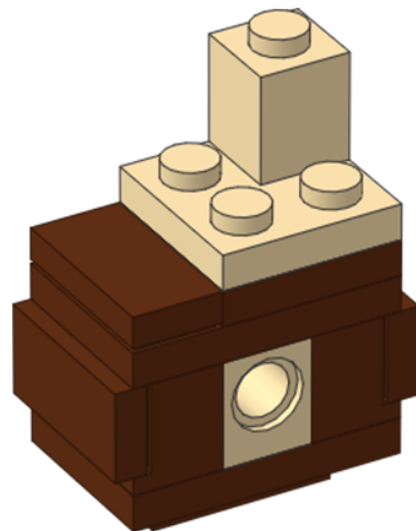


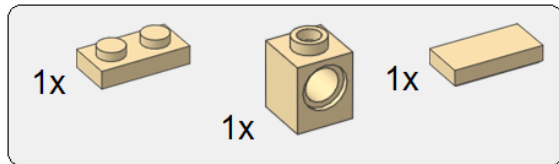


3

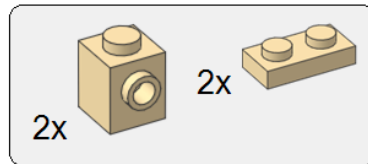
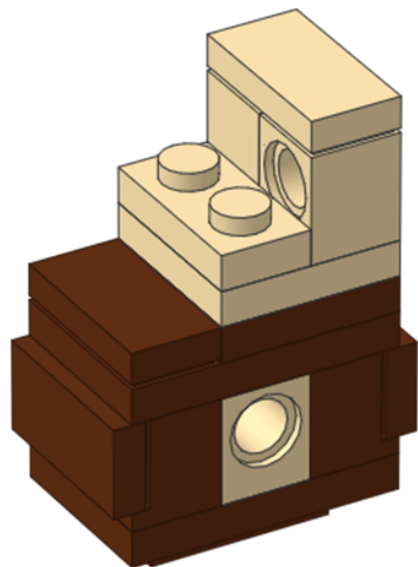


4

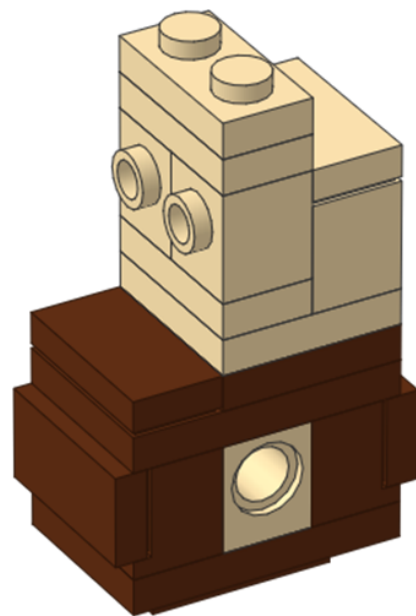


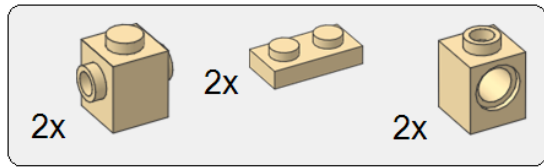


5

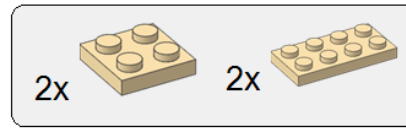
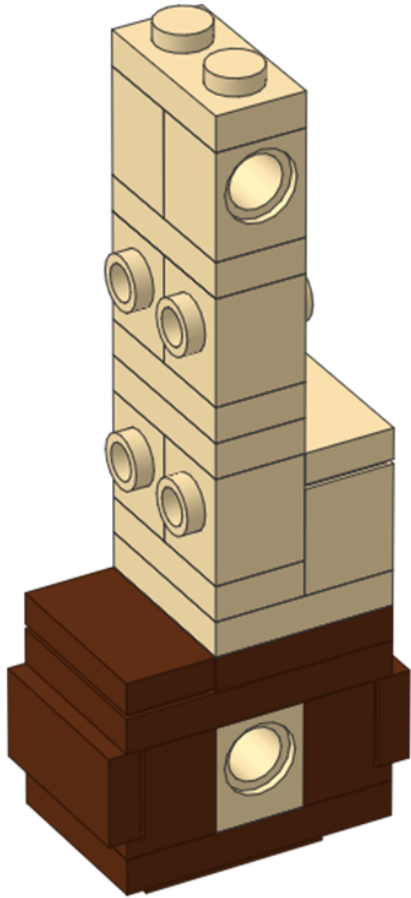


6

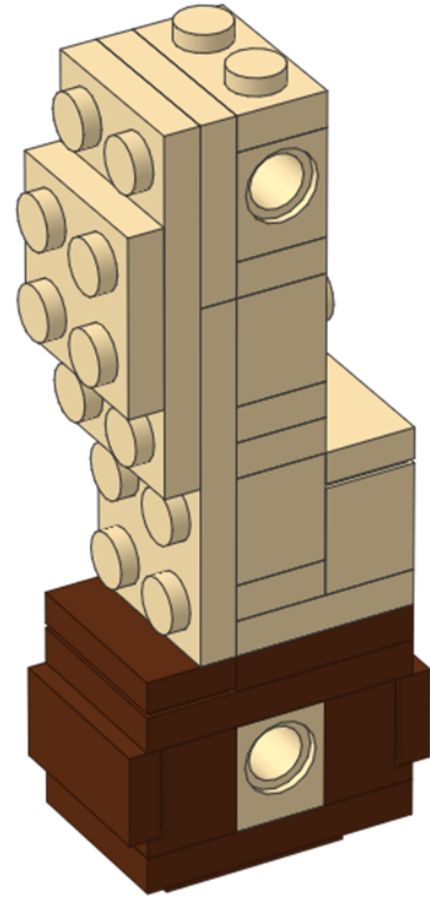




7

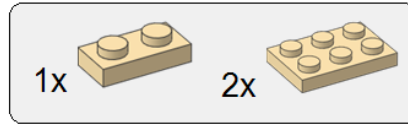
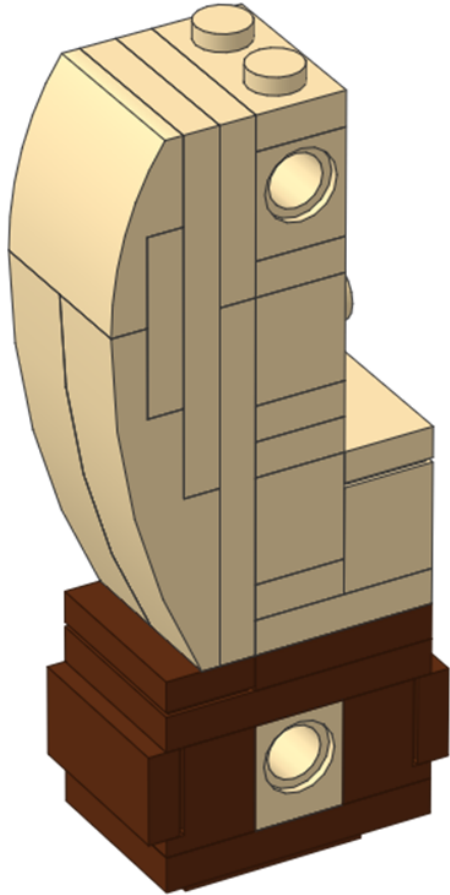


8

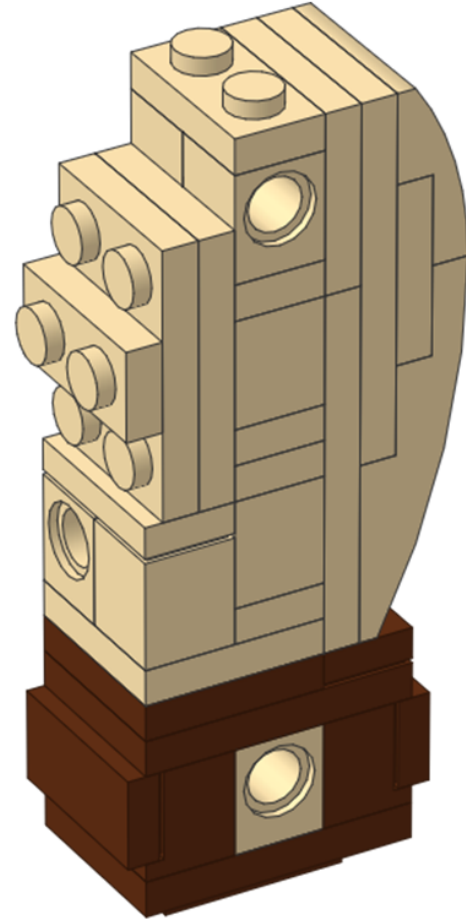


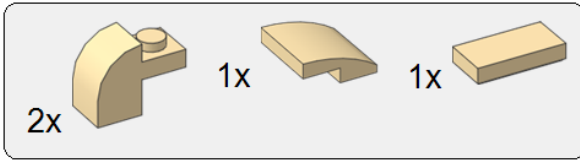


9

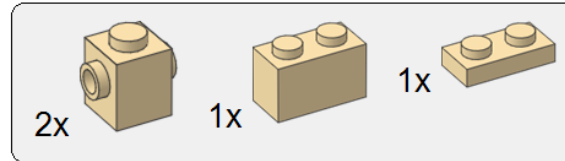
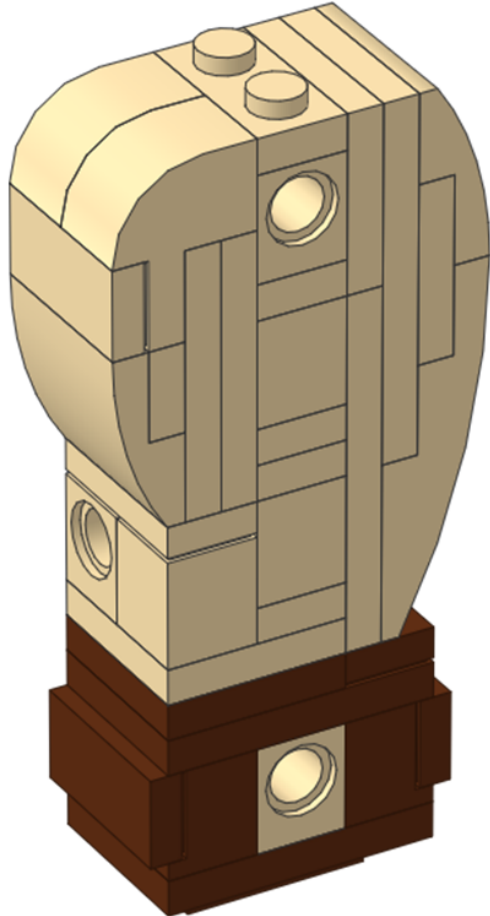


10

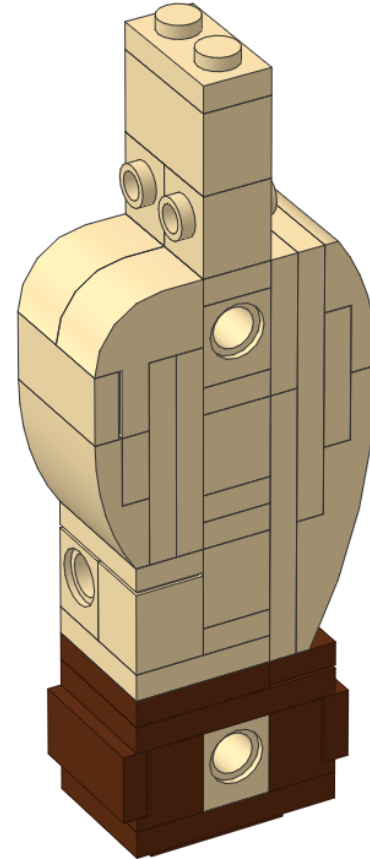


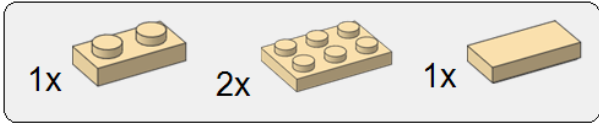


11

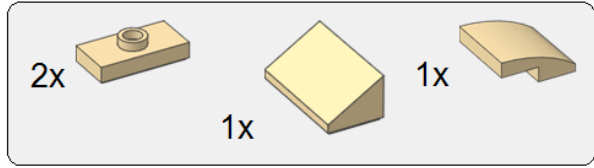
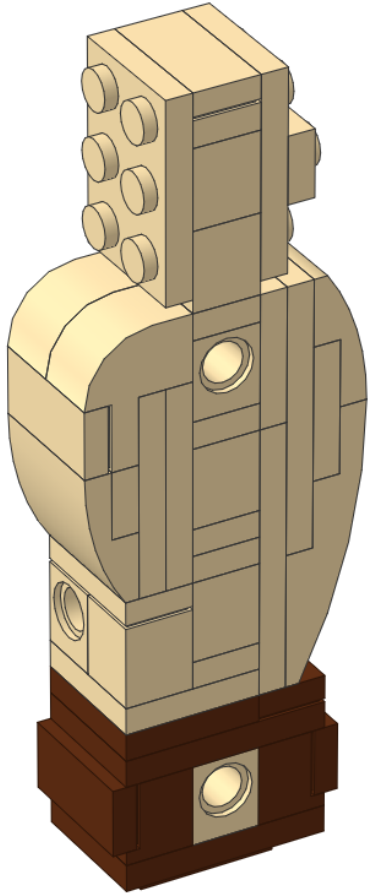


12

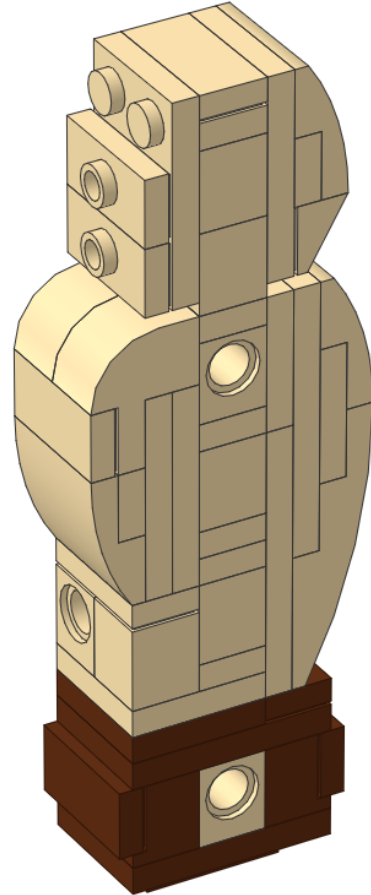


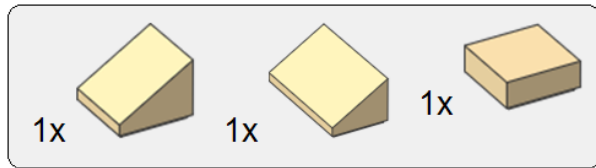


13

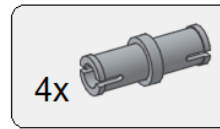
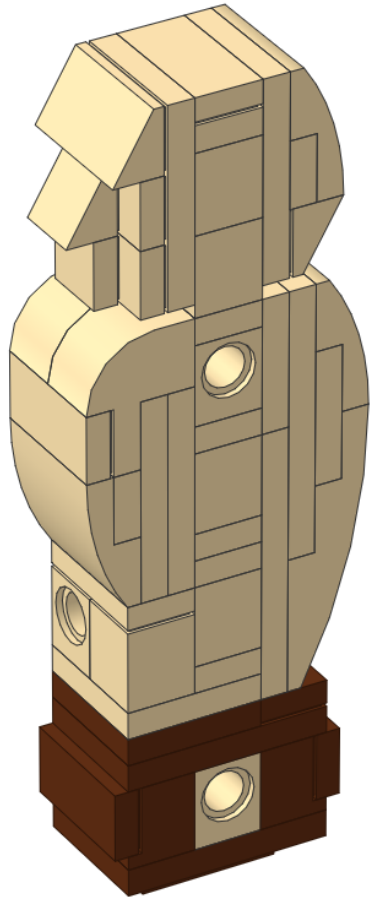


14

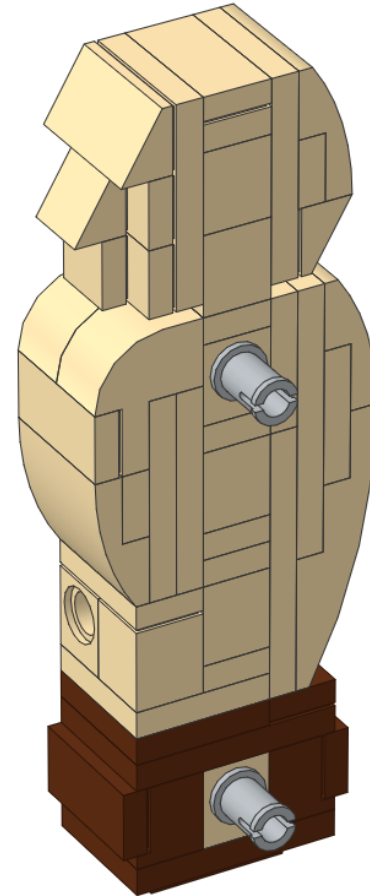


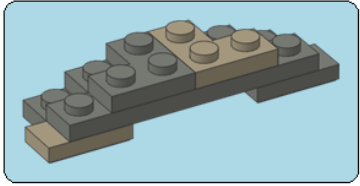


15

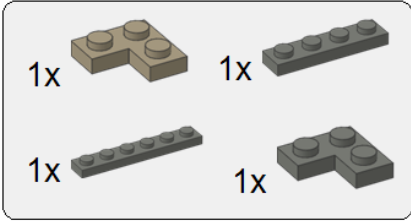


16

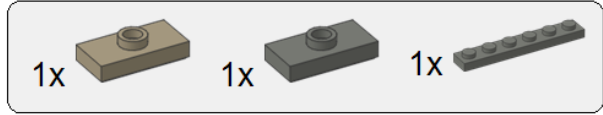
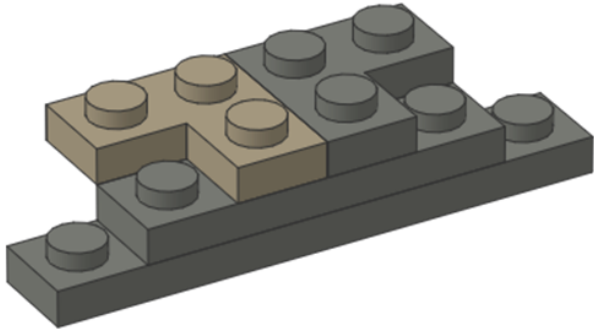




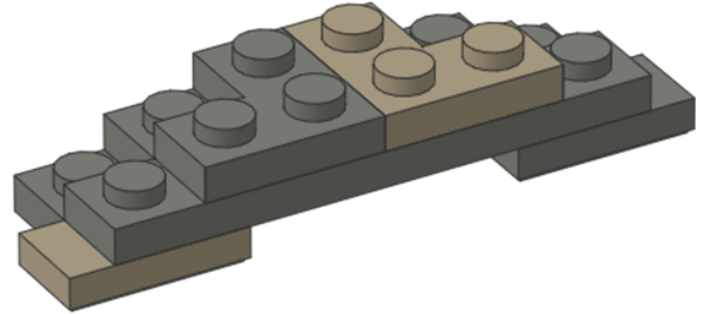
x10



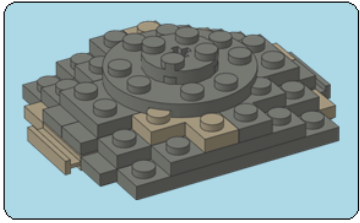
1



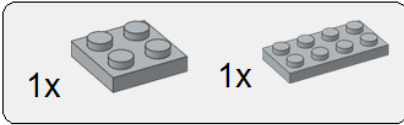
2



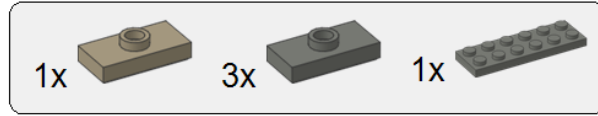
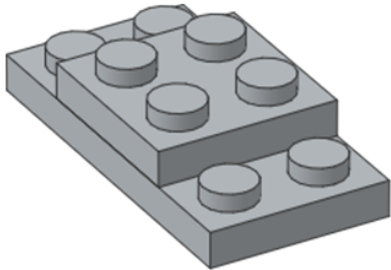
x10



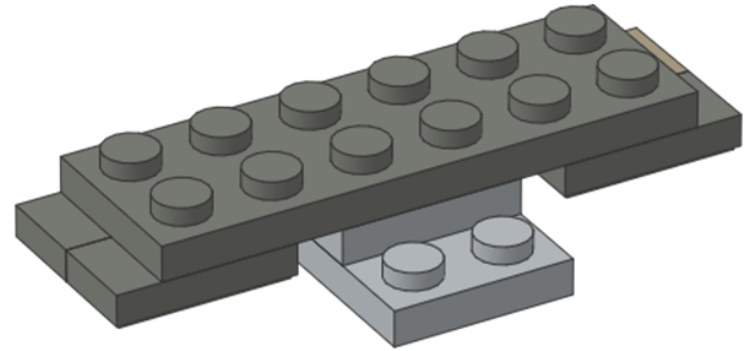
x4

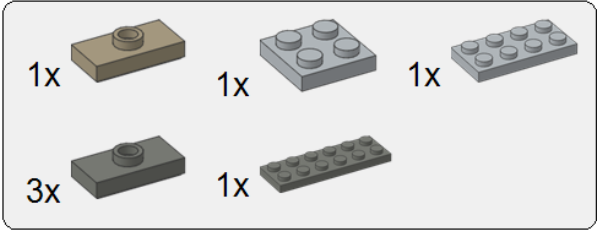
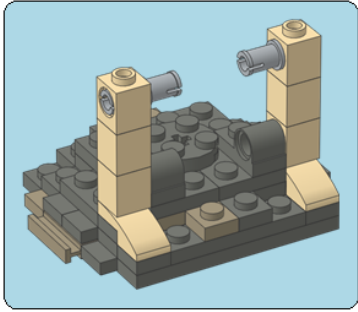


1

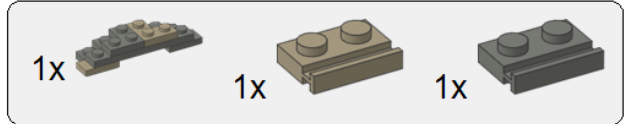
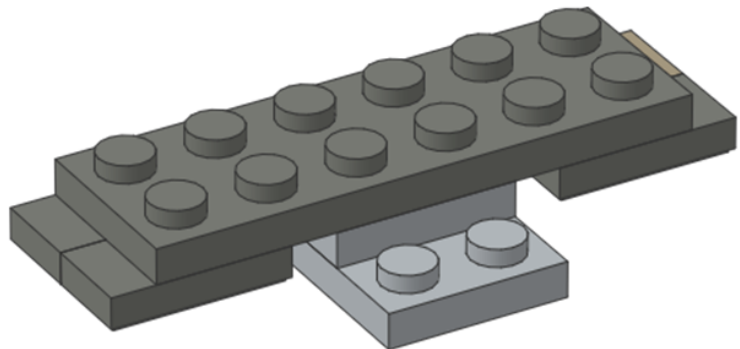


2

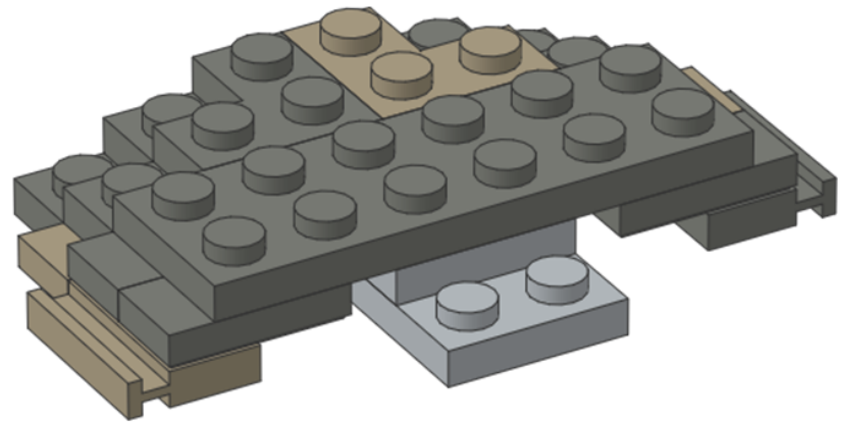


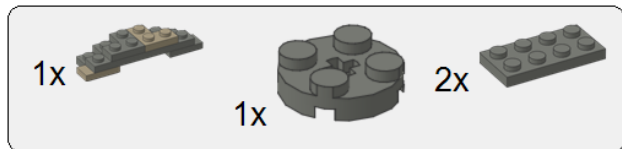


1

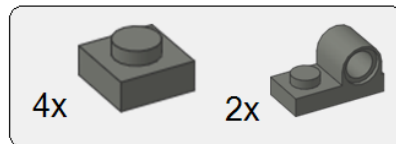
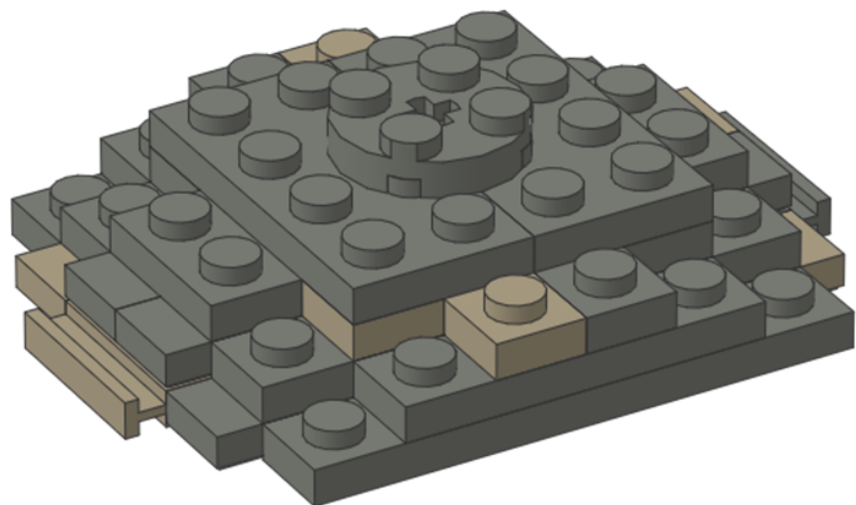


2

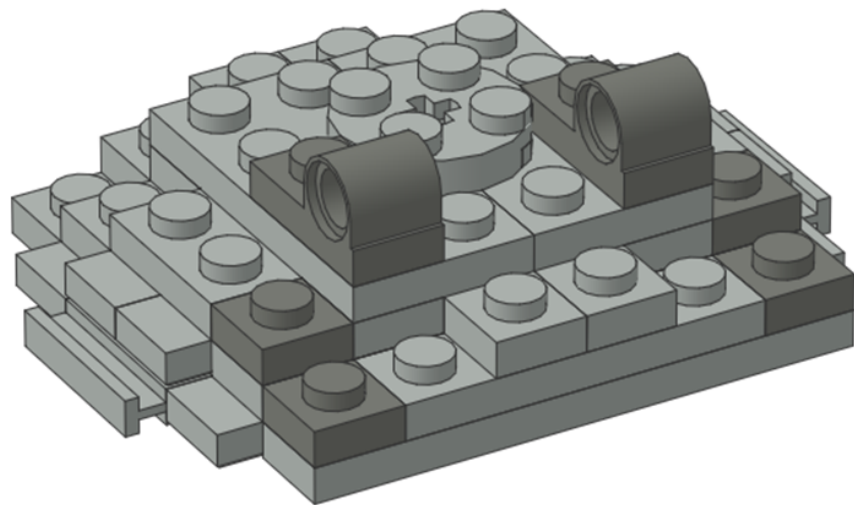


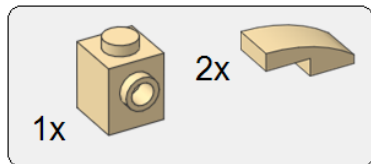


3

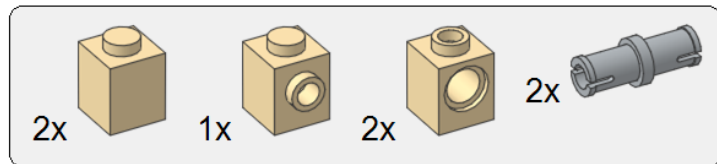
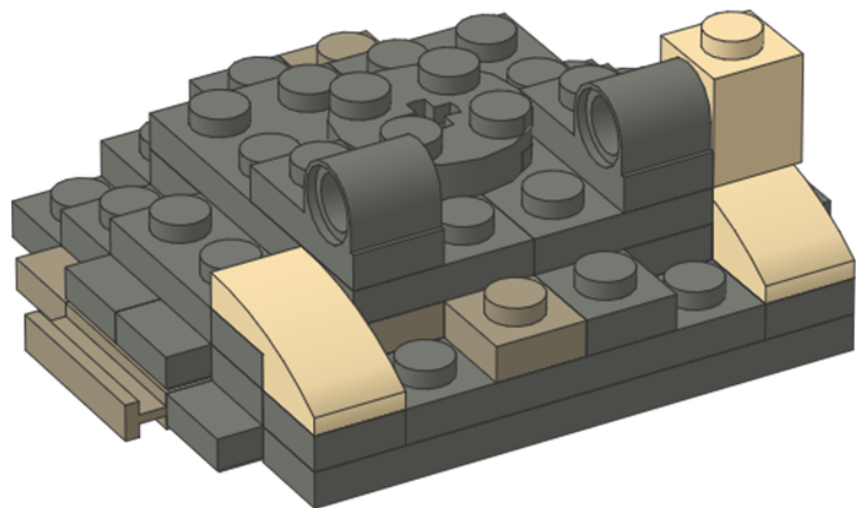


4

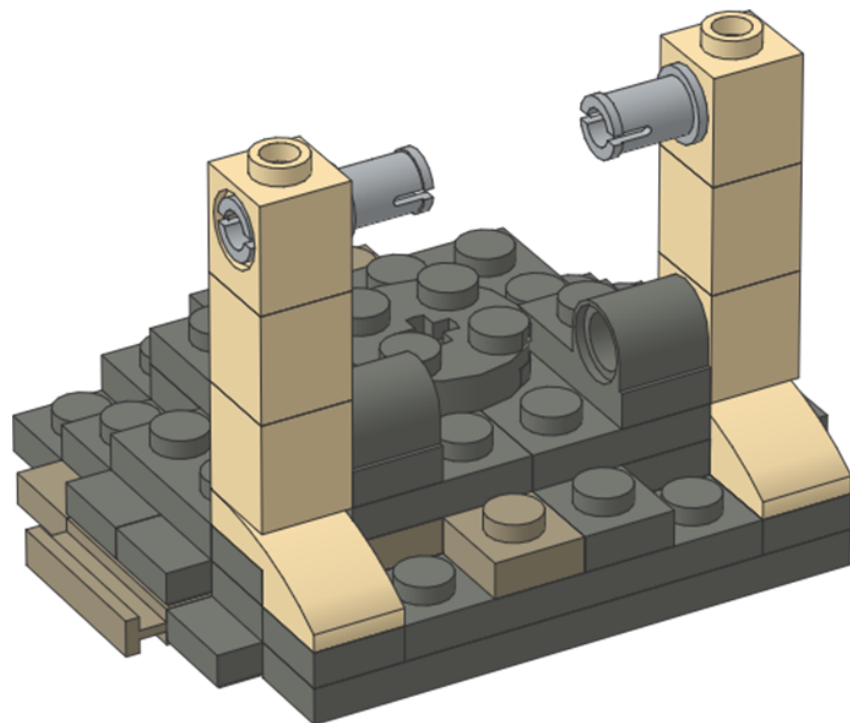


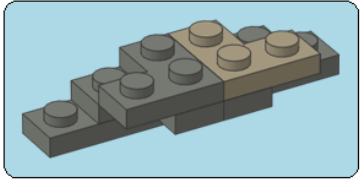


5

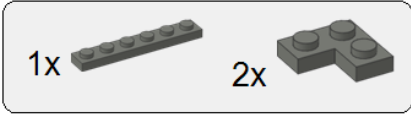


6

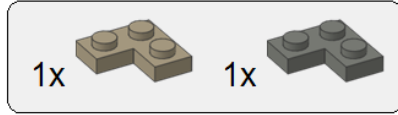
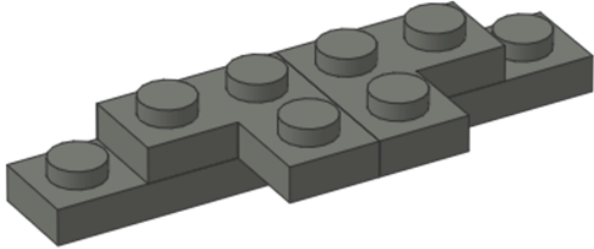




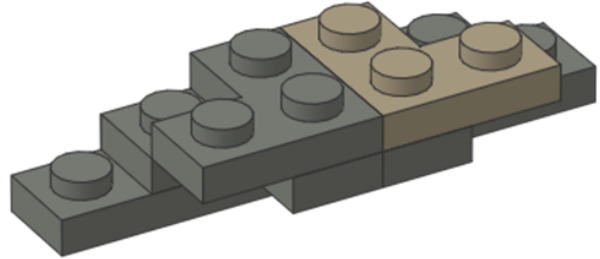
x2



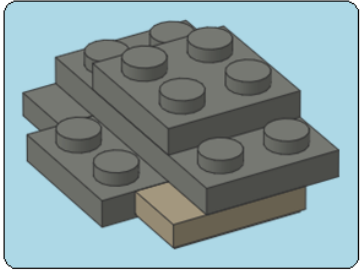
1



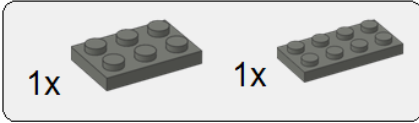
2



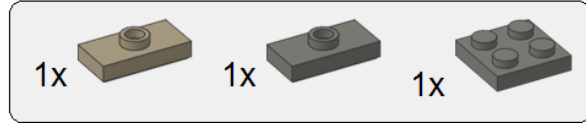
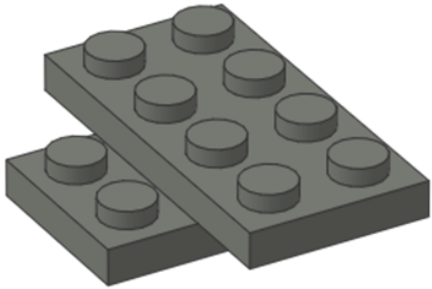
x2



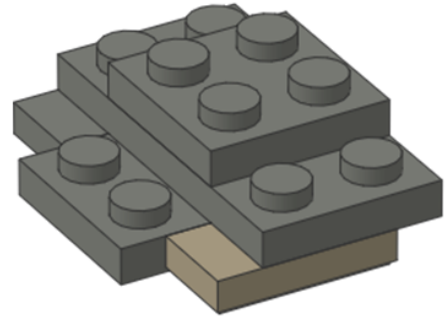
x2



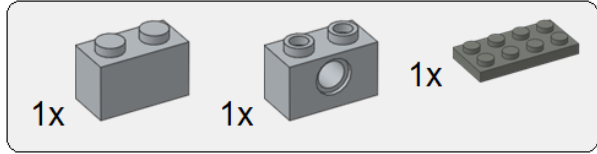
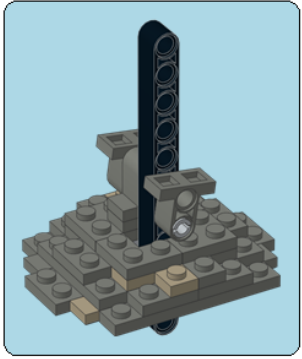
1



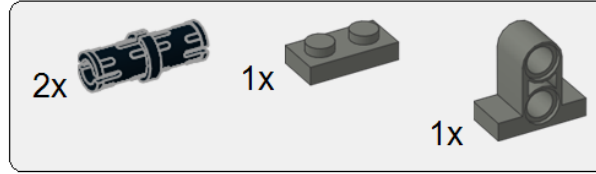
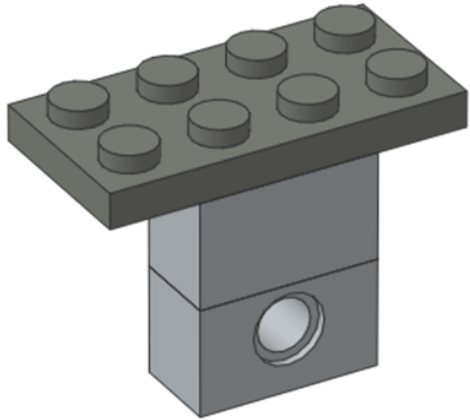
2



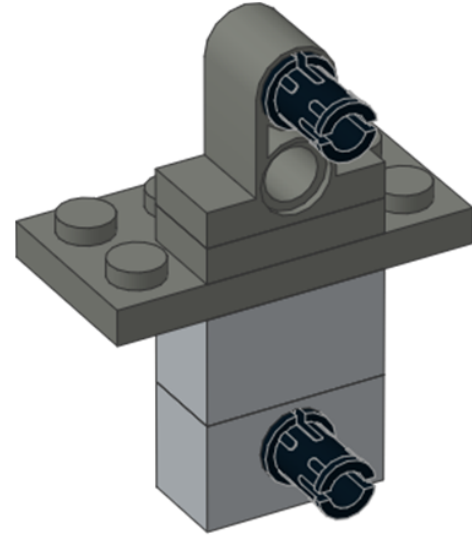
x2

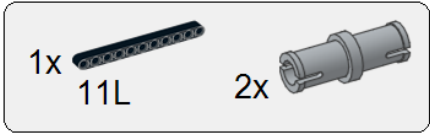


1

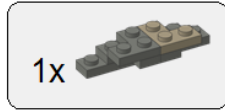
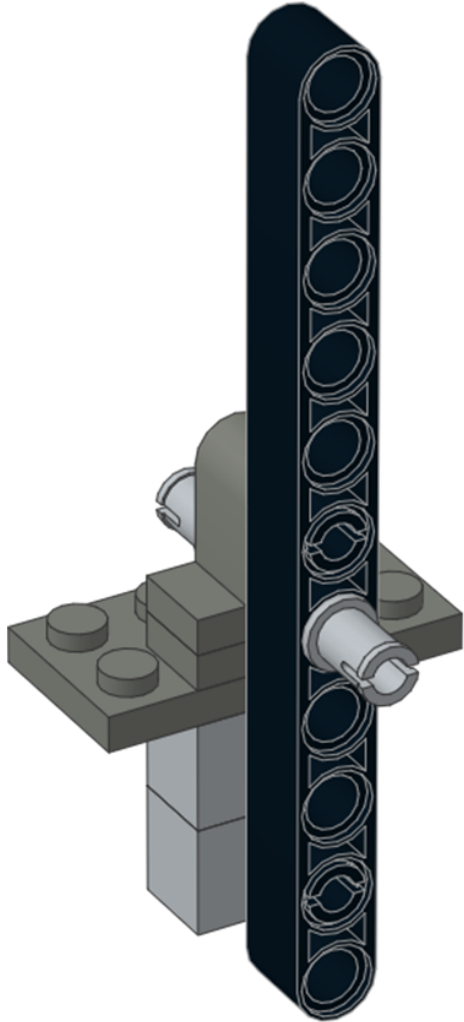


2

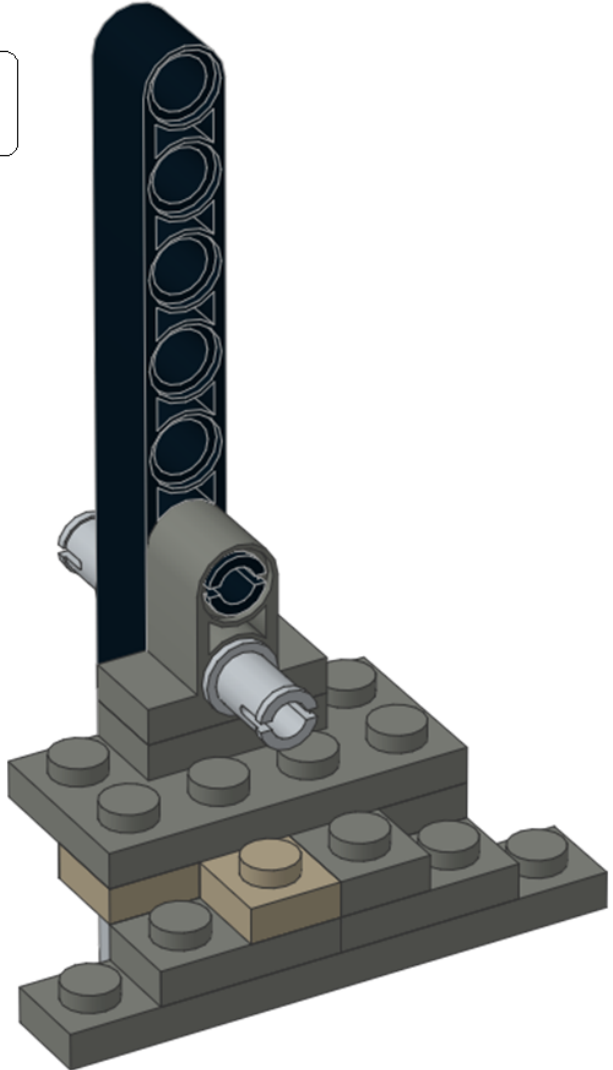


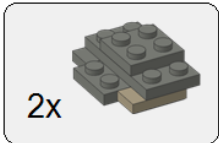


3

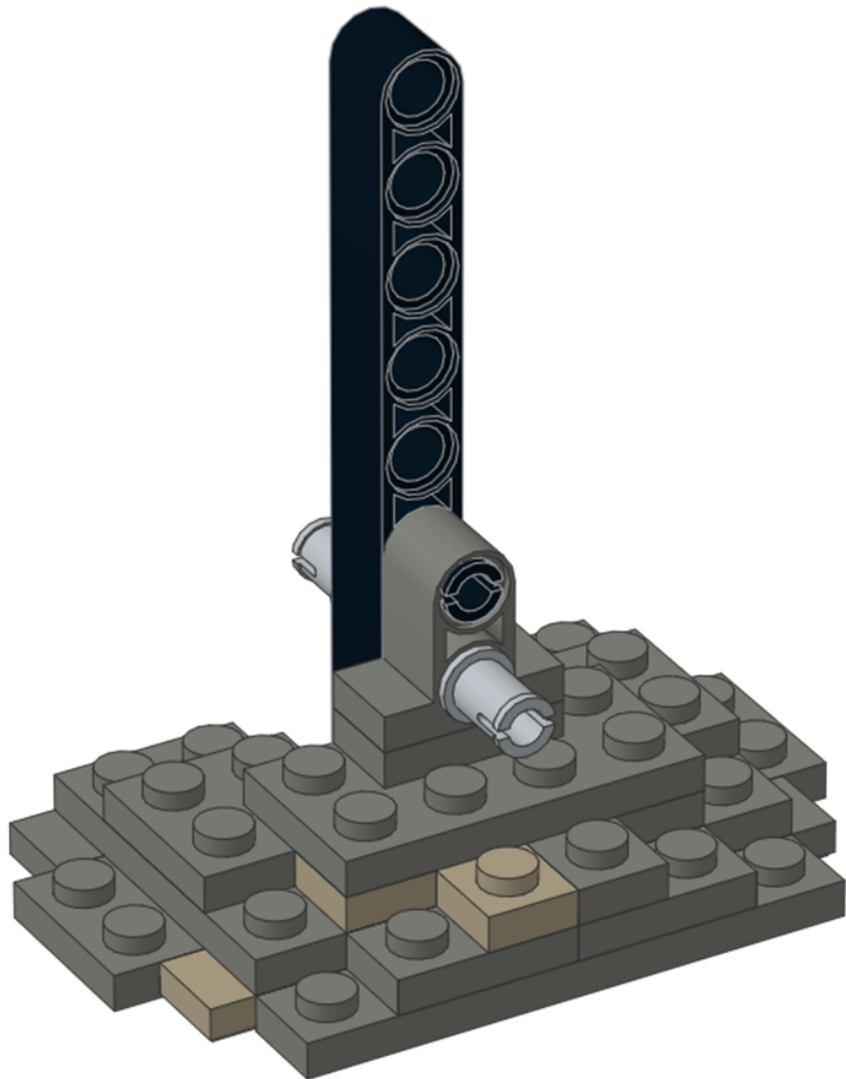


4

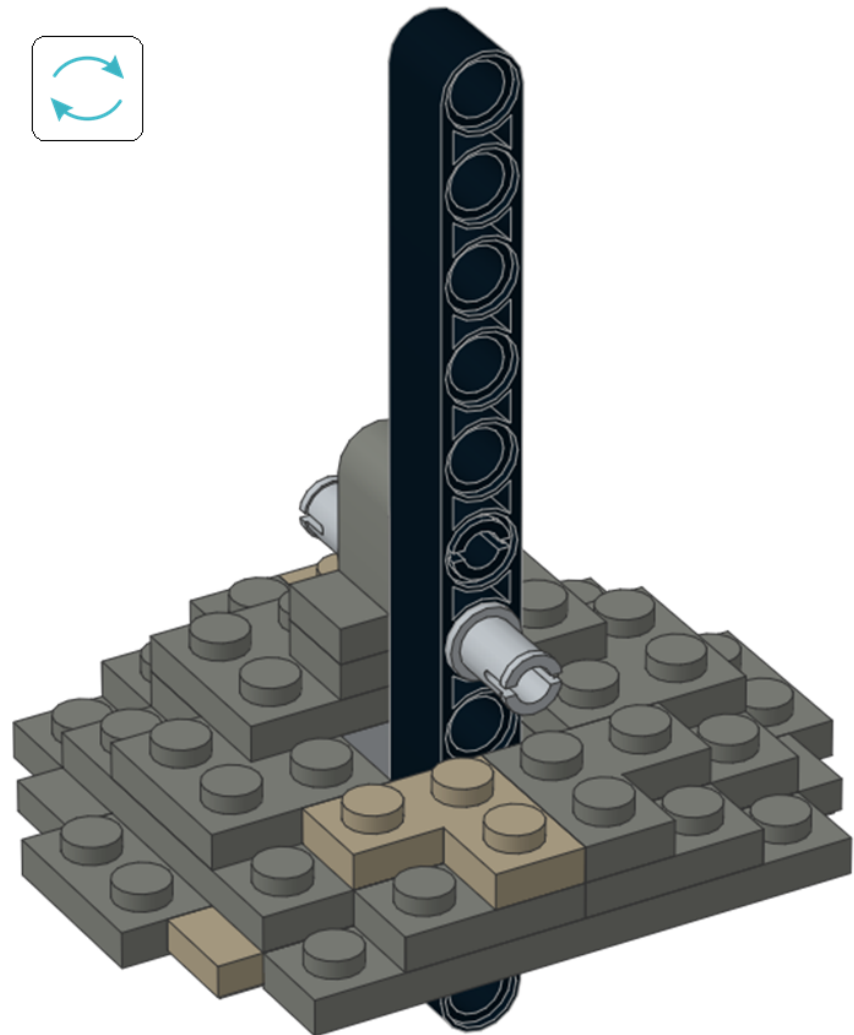


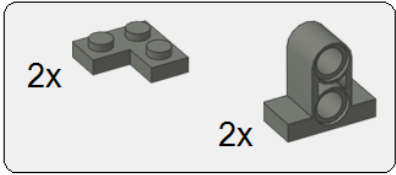


5

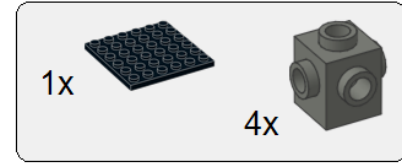
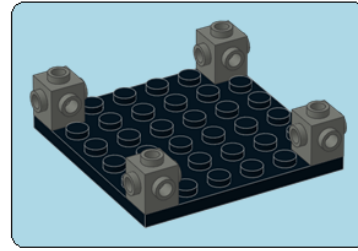
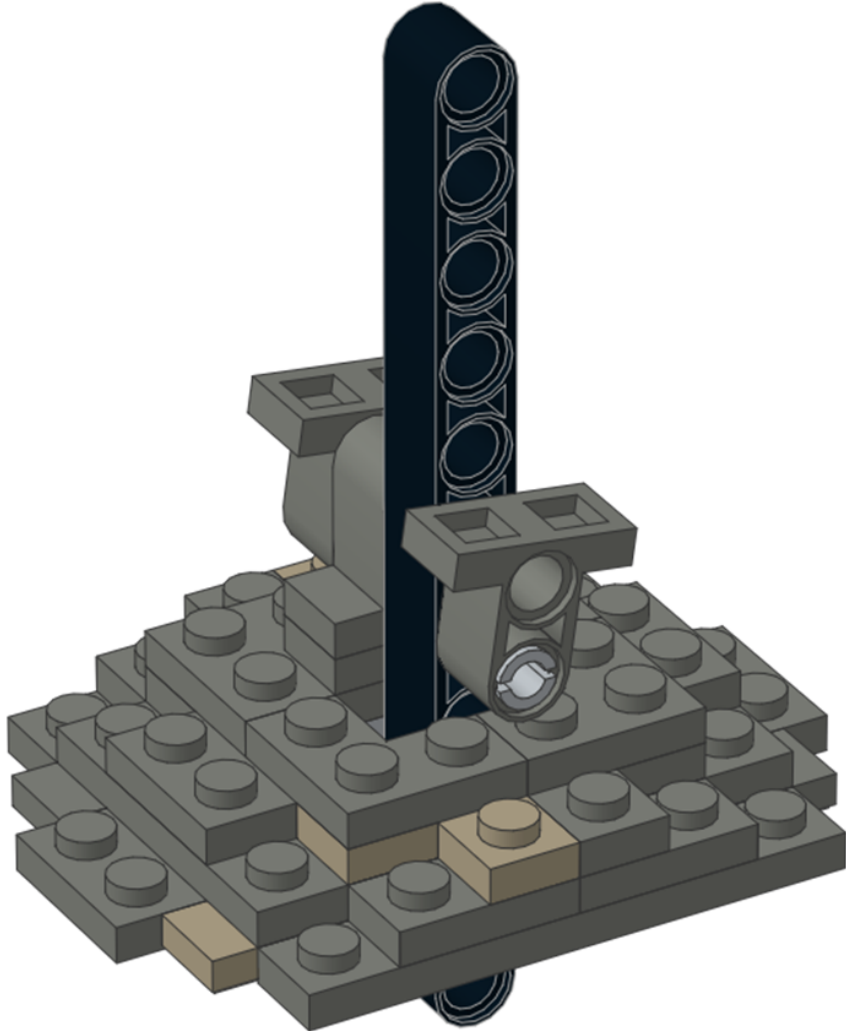


6

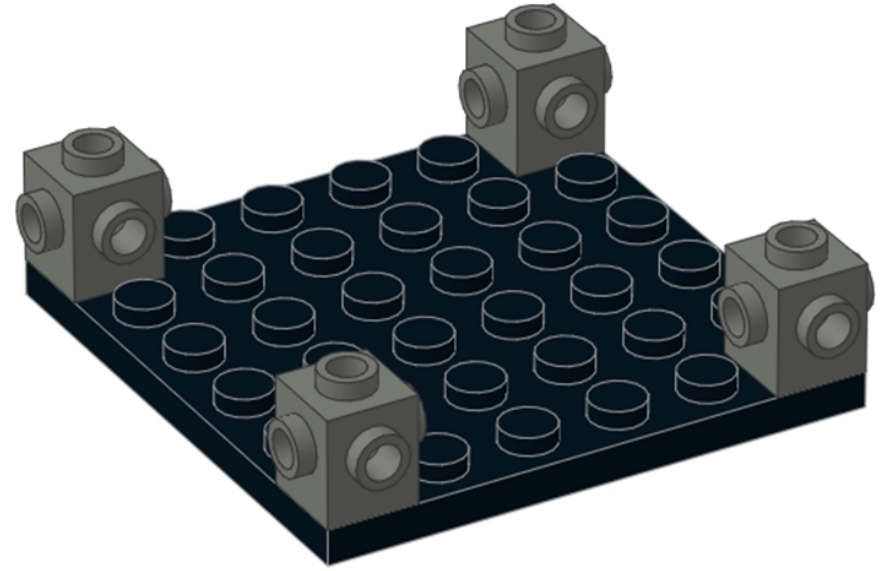




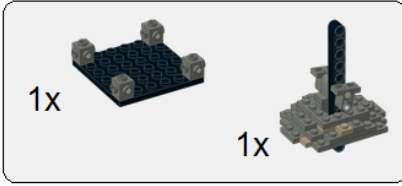
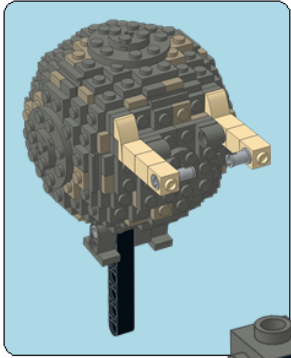
7



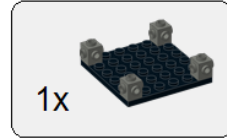
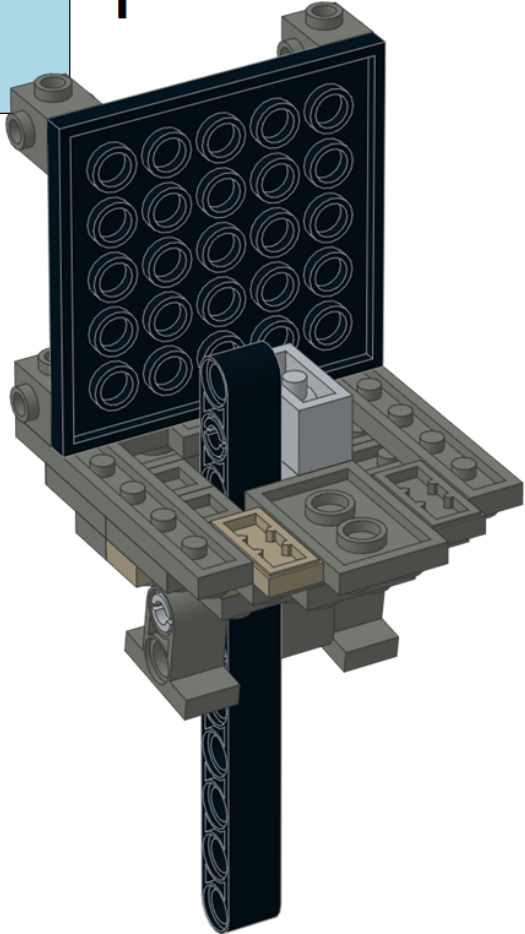
x2



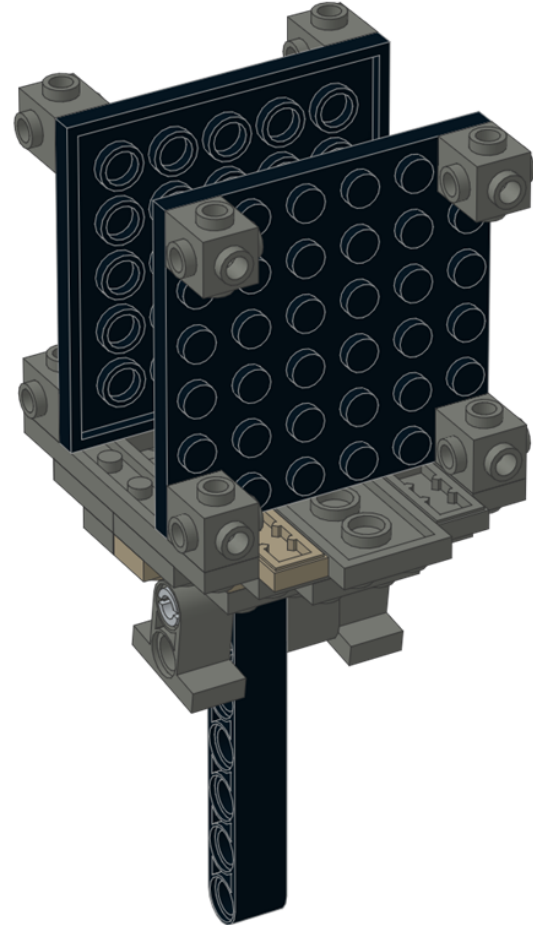
x2



1



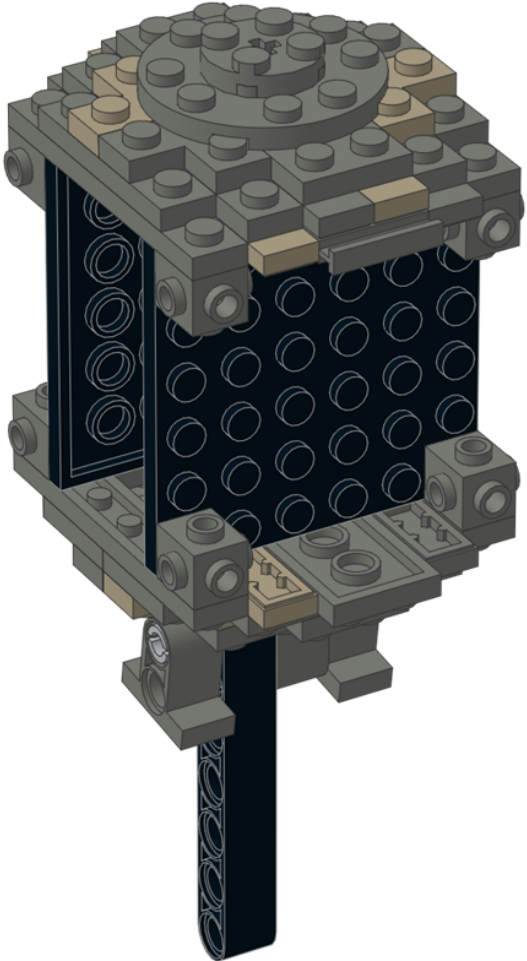
2



1x



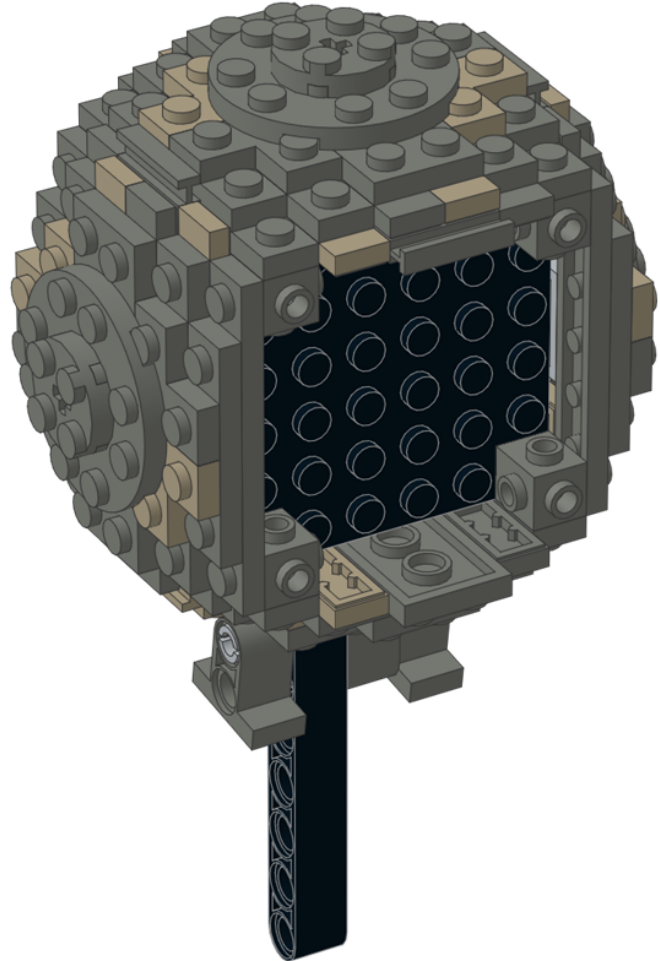
3

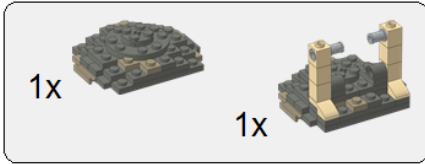


2x

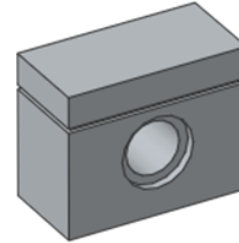
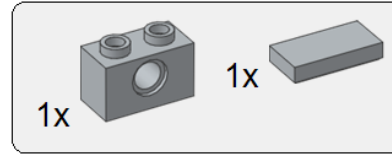
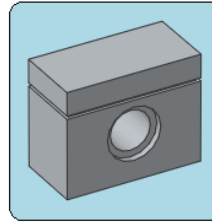
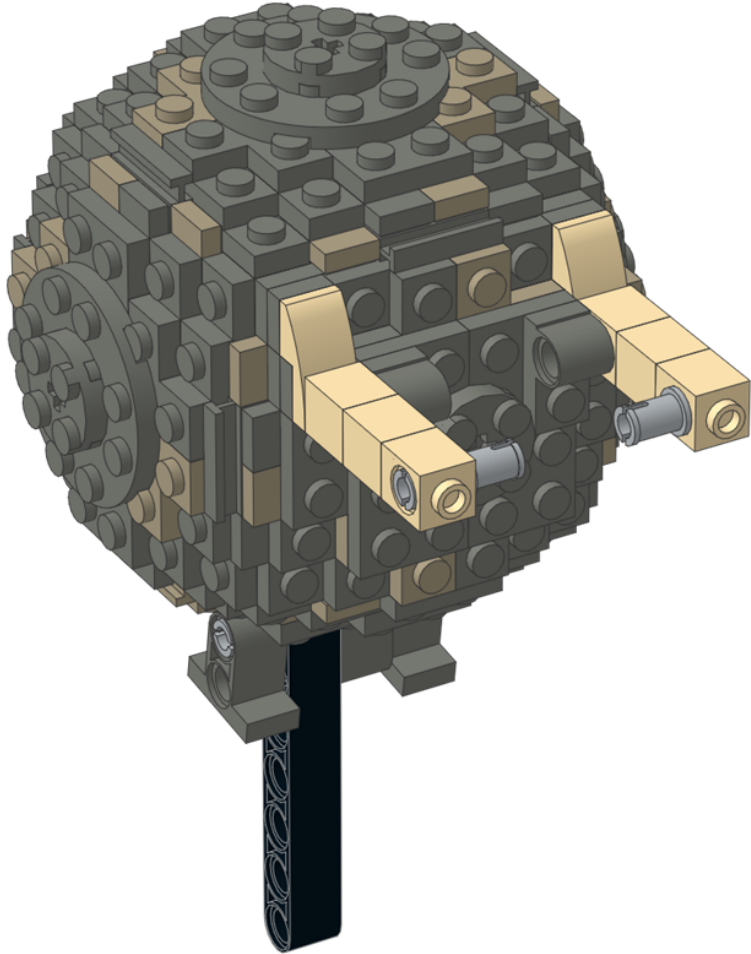


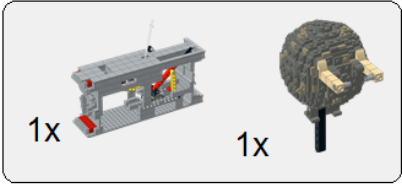
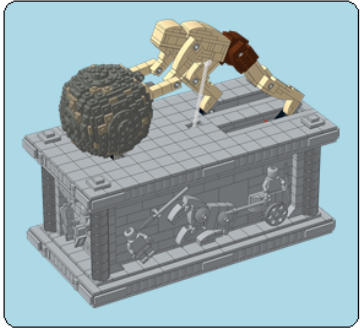
4



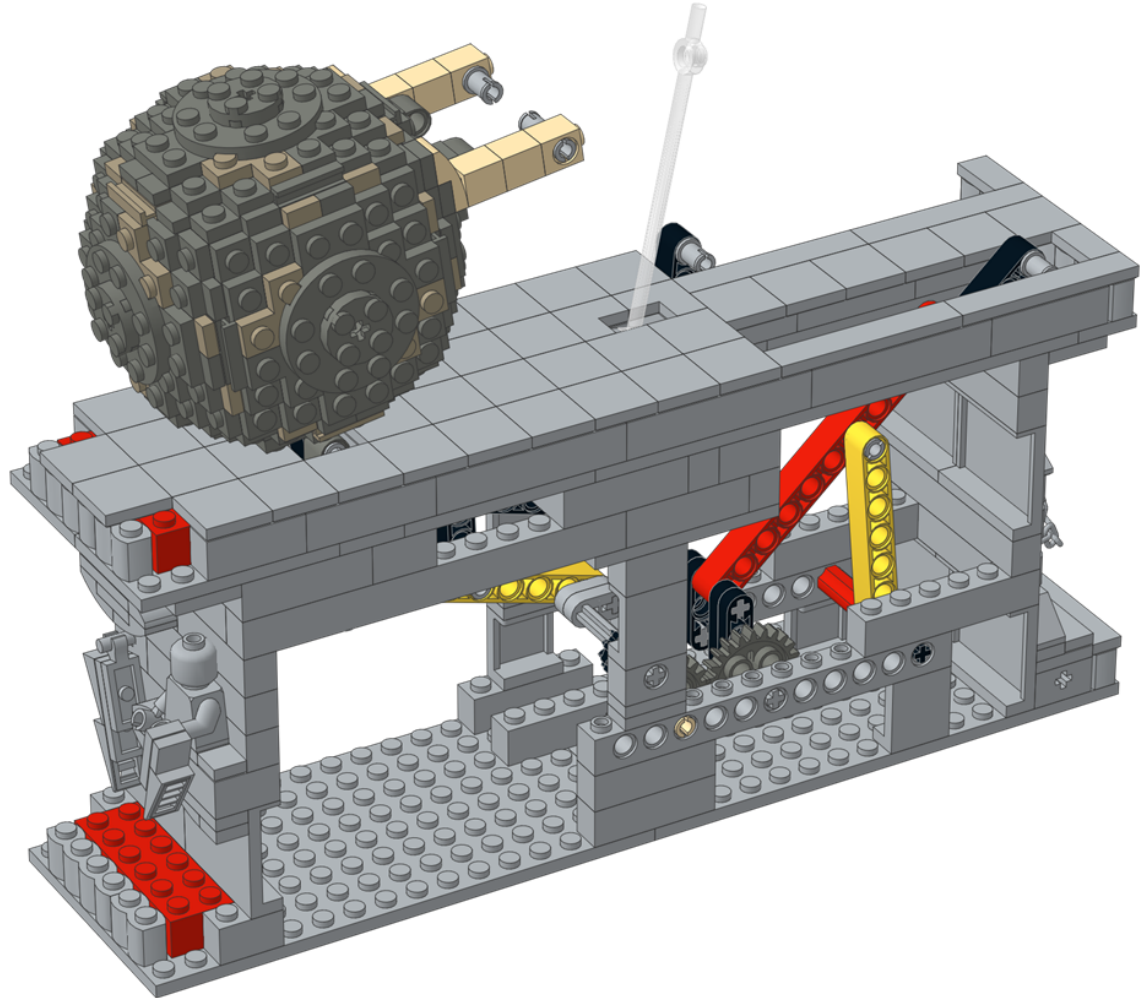


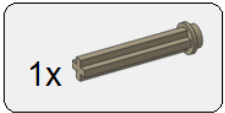
5



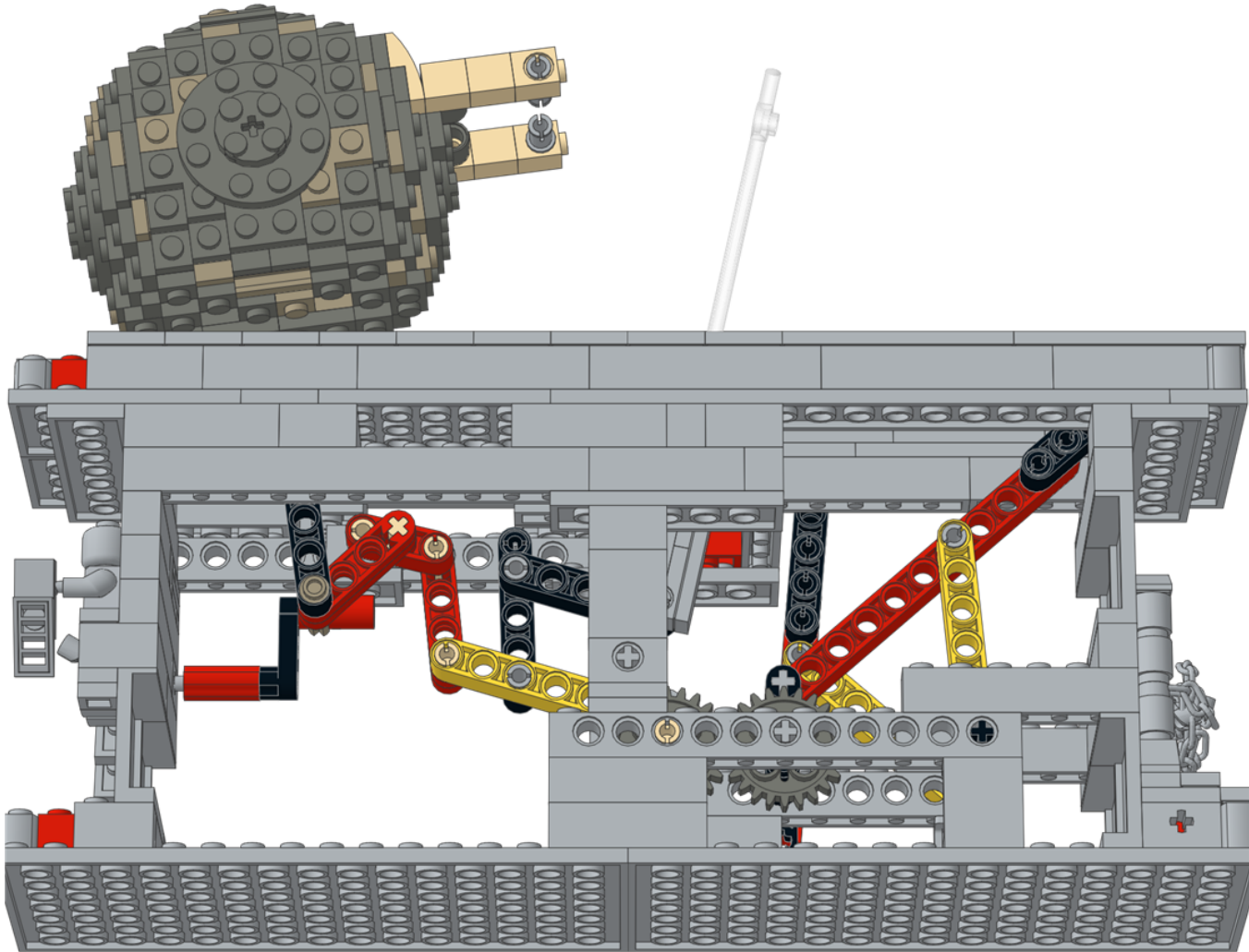


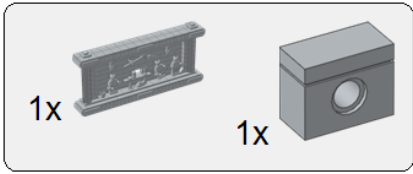
1



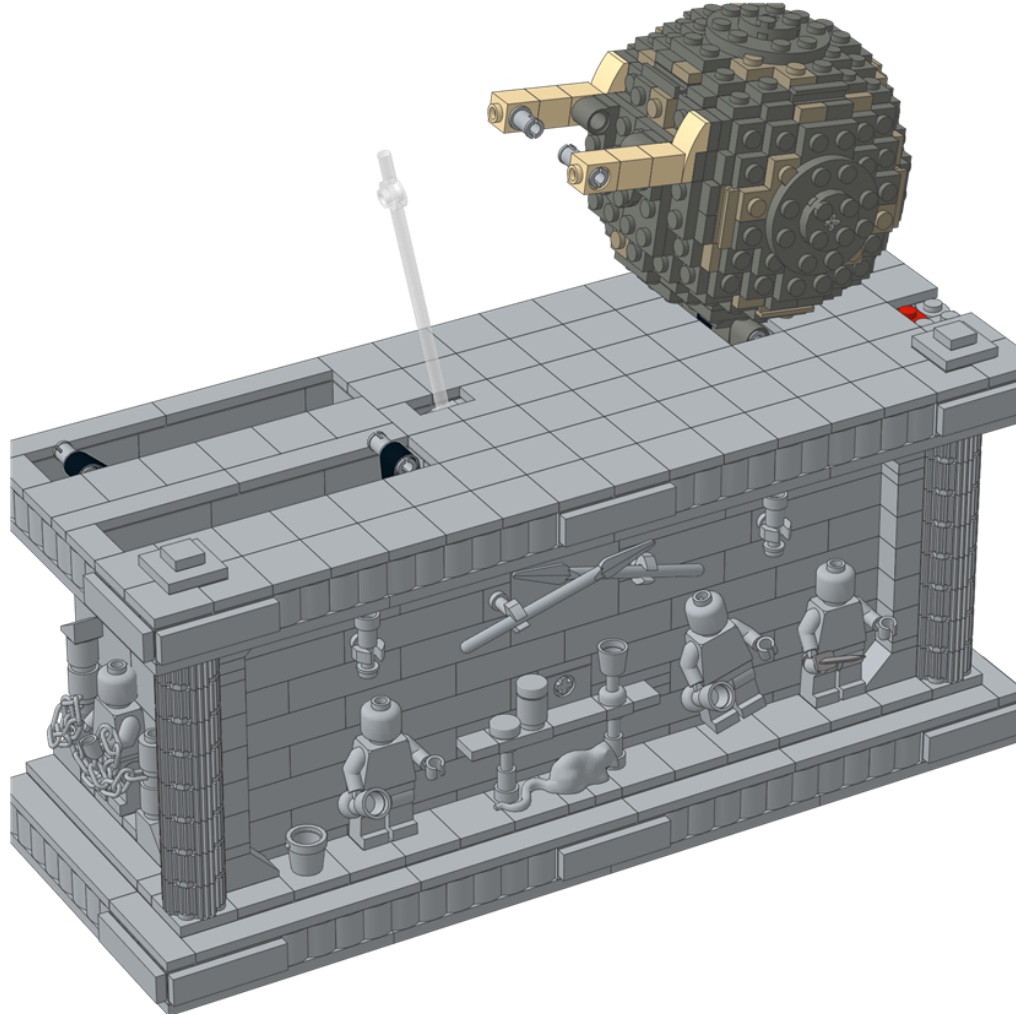


2



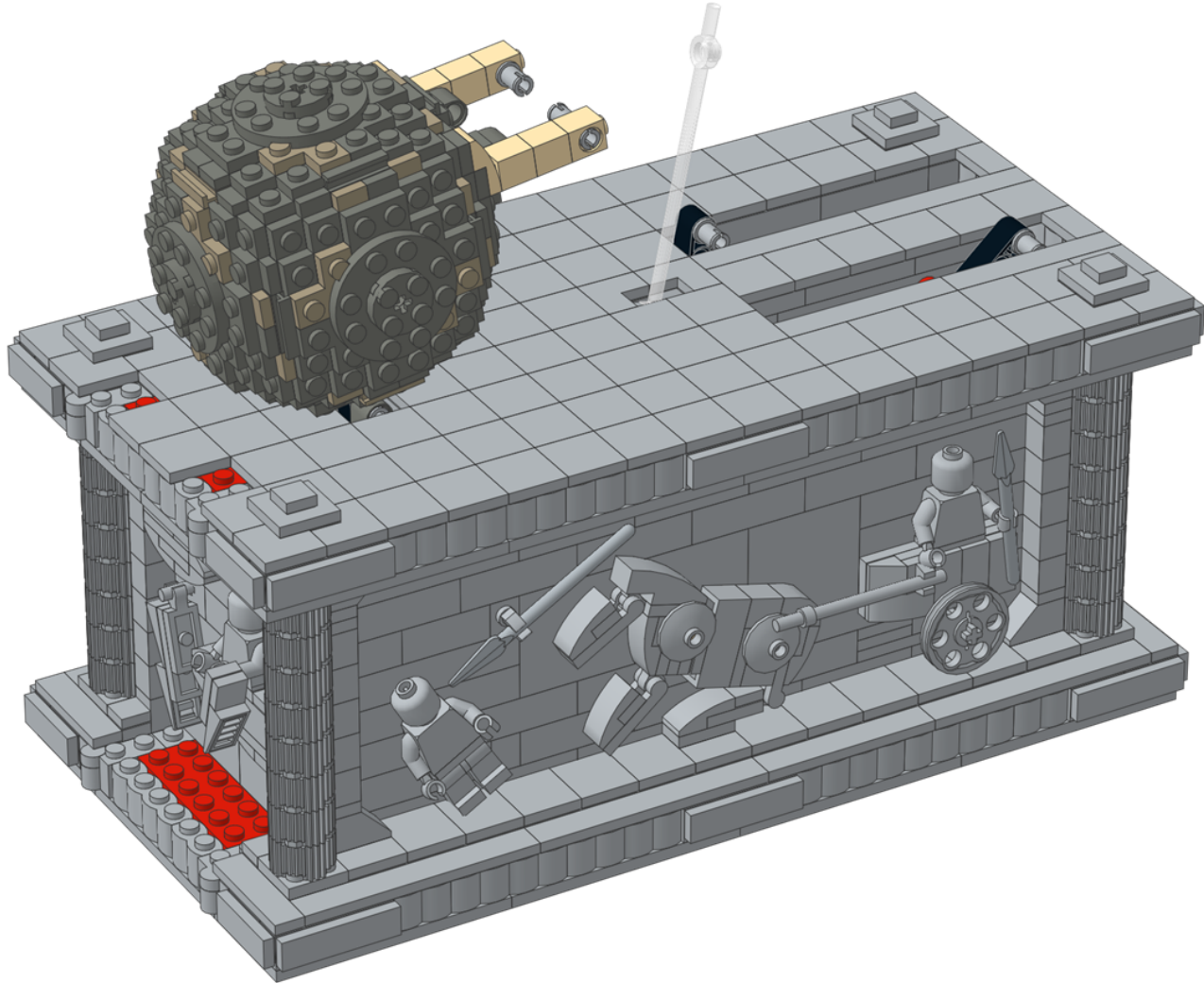


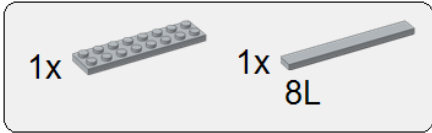
3



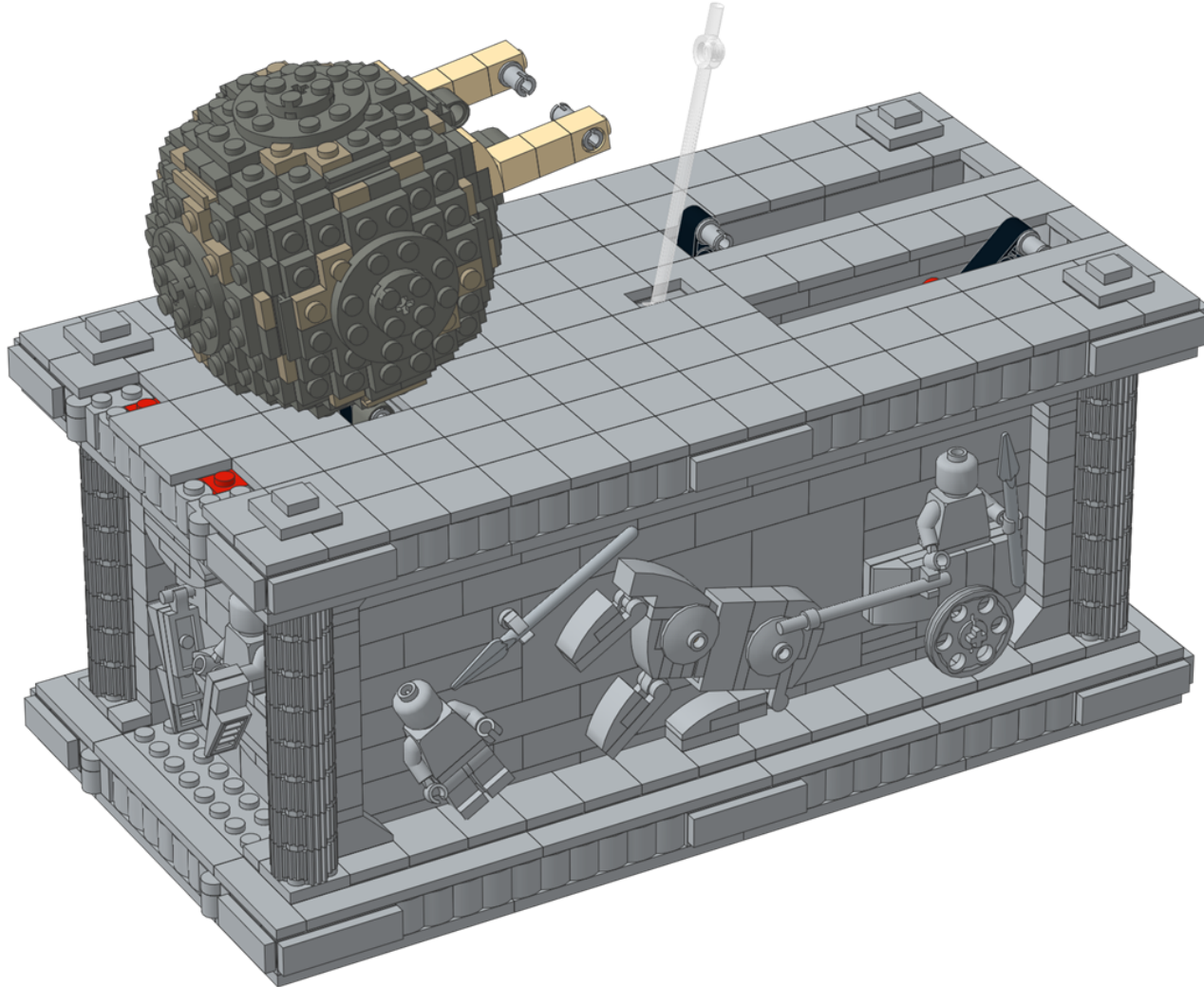


4

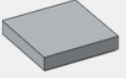




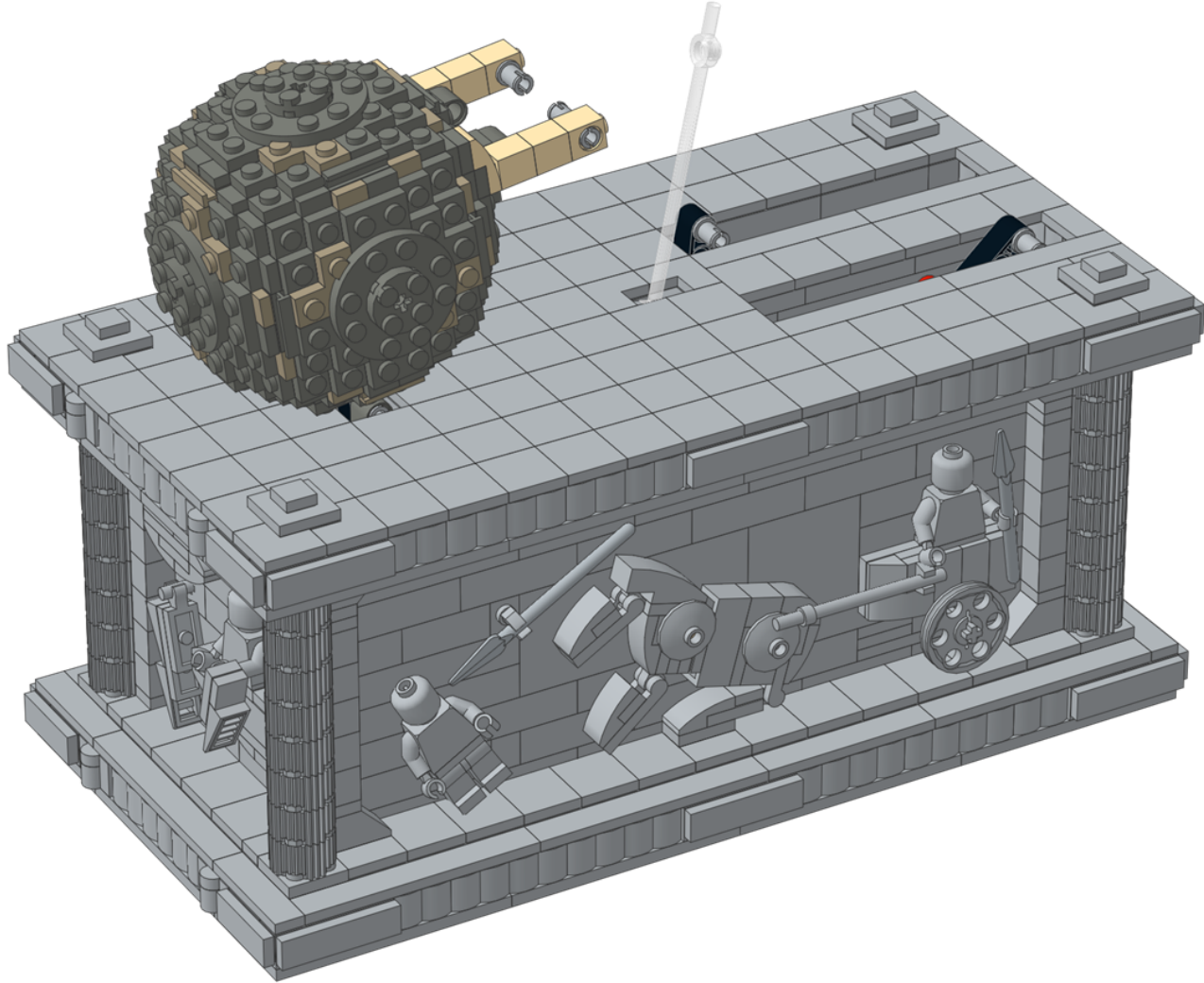
5

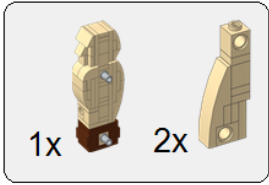


6x

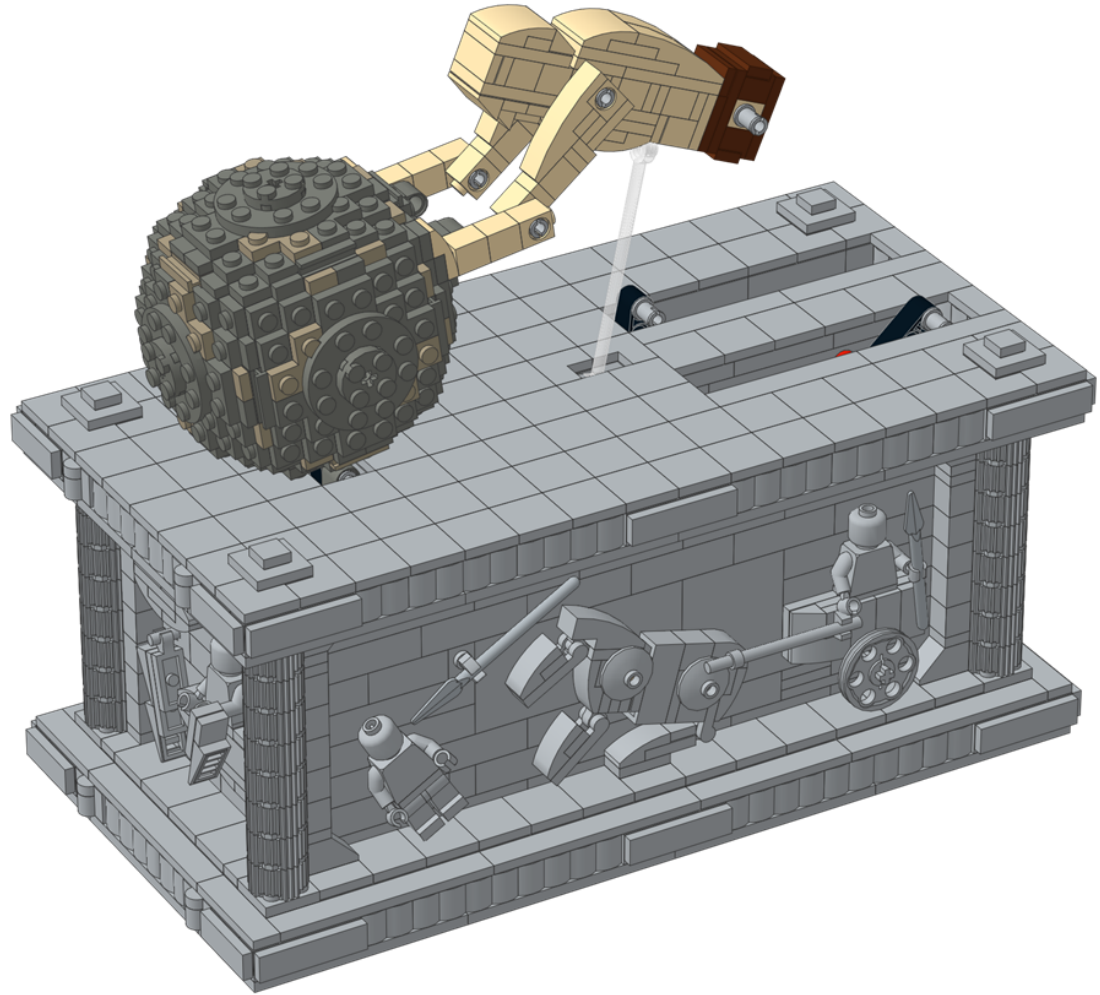


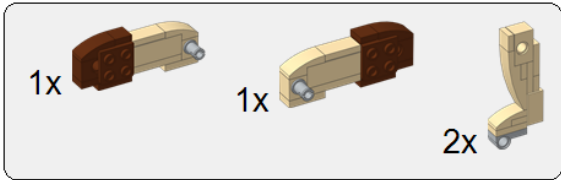
6



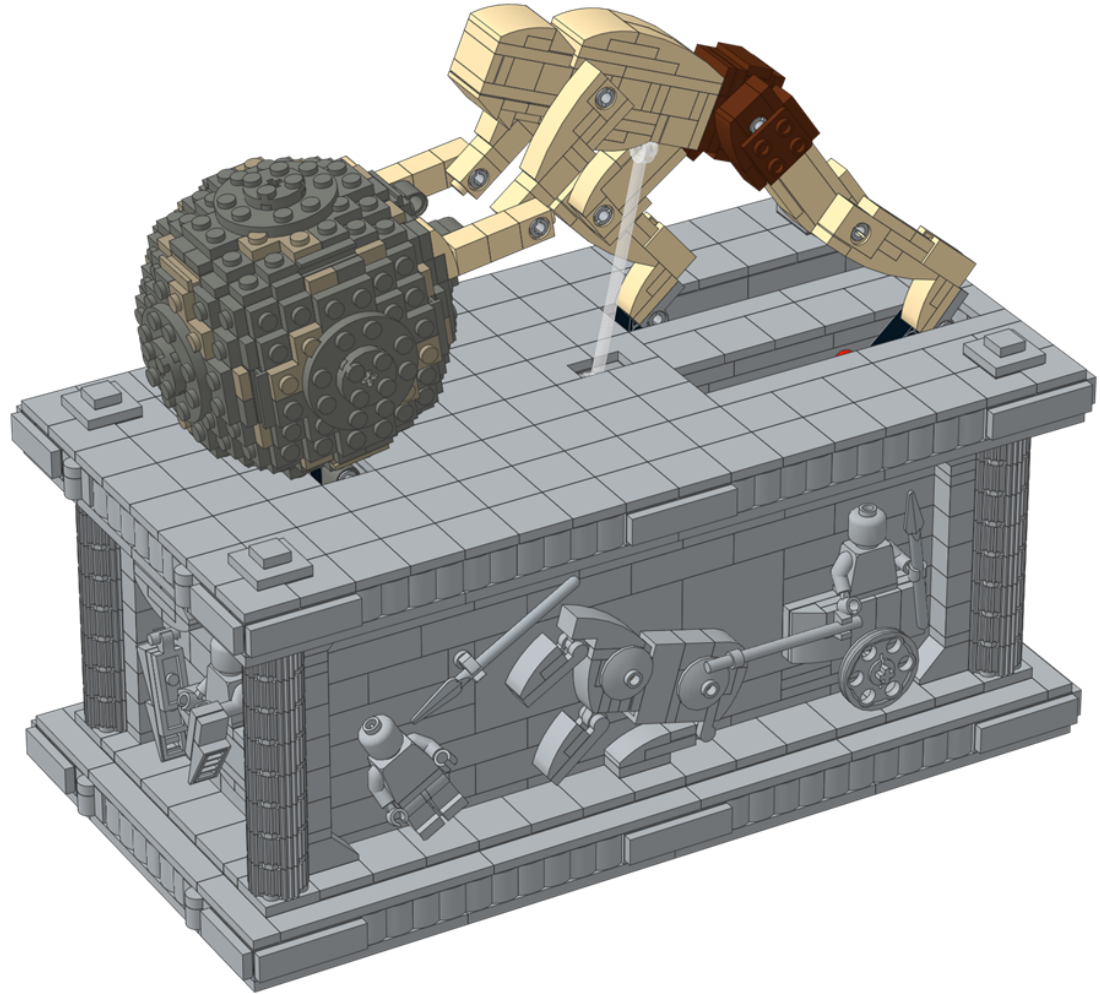


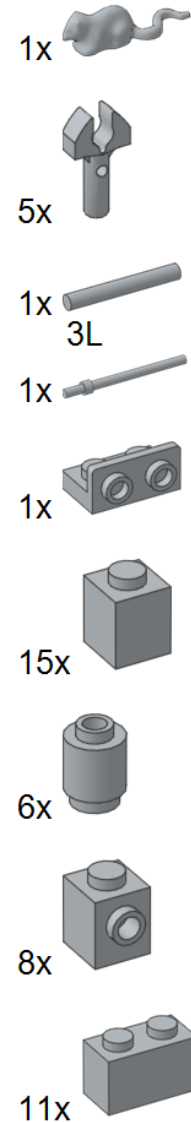
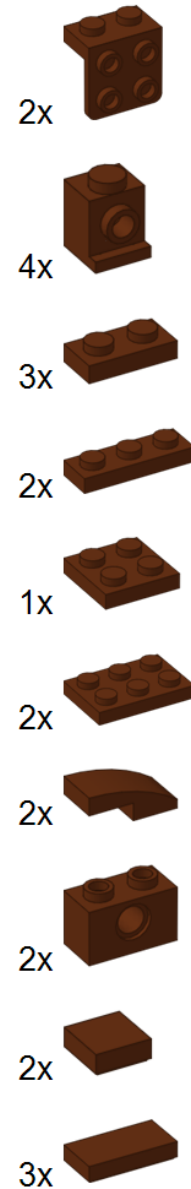
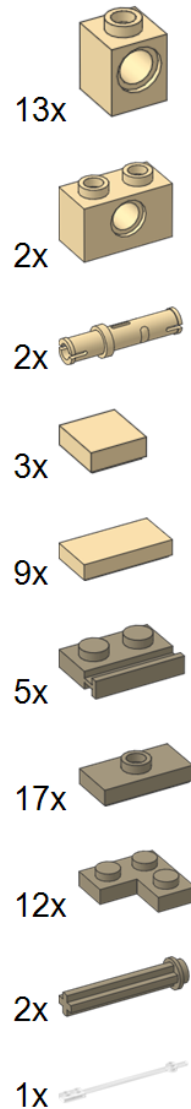
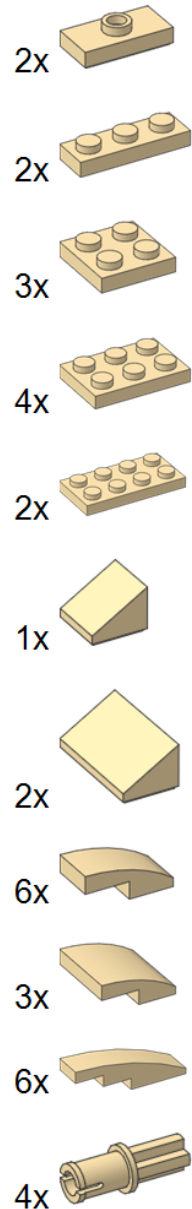
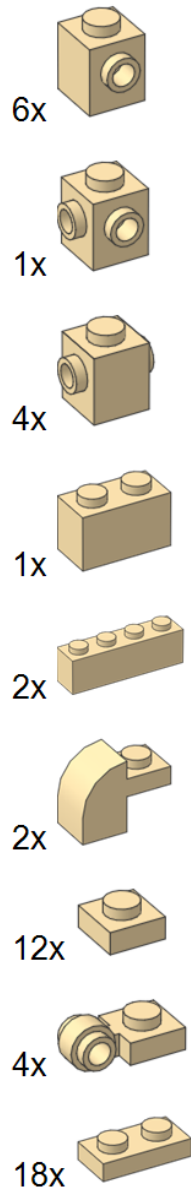
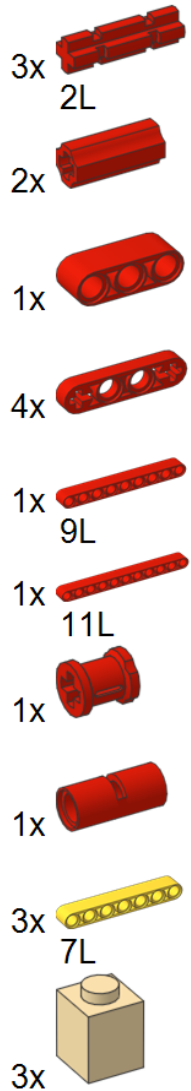
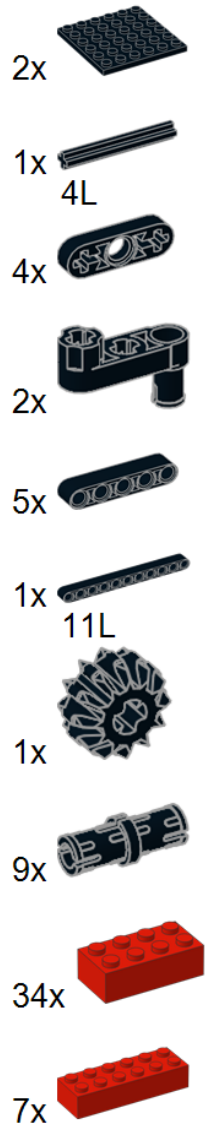
7

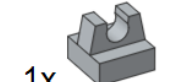
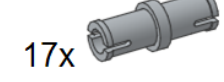
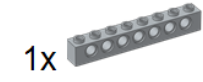
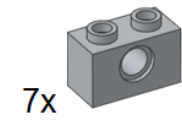
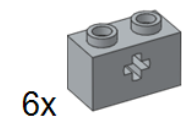
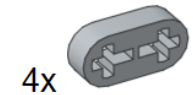
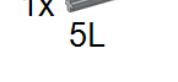
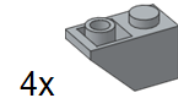
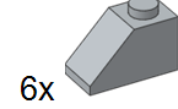
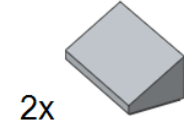
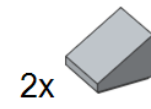
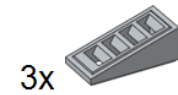
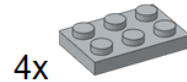
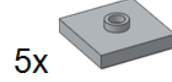
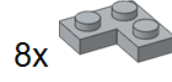
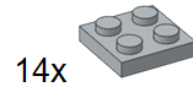
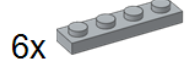
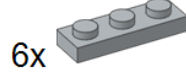
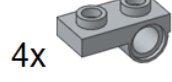
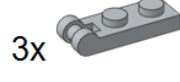
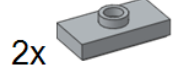
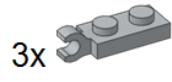
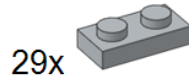
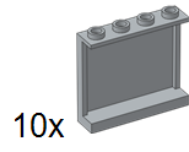
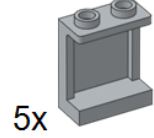
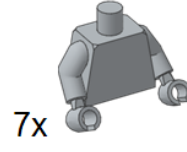
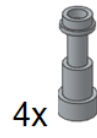
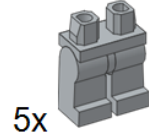
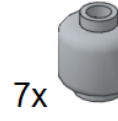
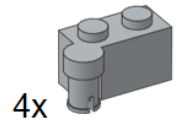
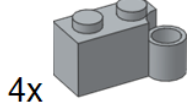
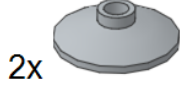
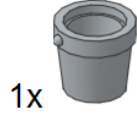
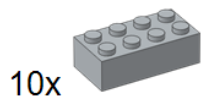
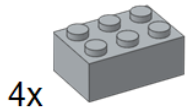
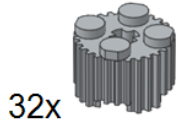
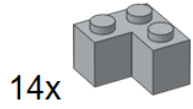
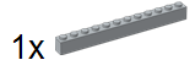
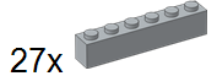
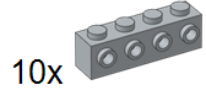
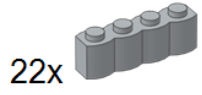
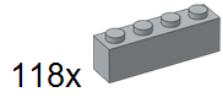
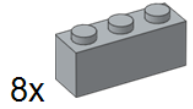
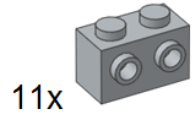
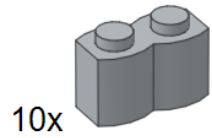




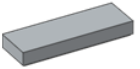
8









15x 

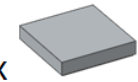
4x 
3L


20x 
4L

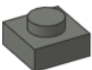
7x 
6L

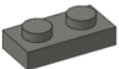
9x 
8L

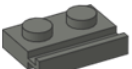
12x 

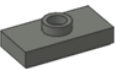
119x 

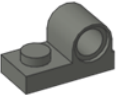
8x 

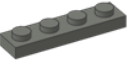
4x 

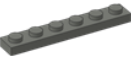
1x 

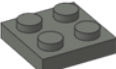
5x 

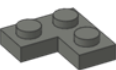
27x 


2x 


10x 

22x 

2x 

18x 


5x 

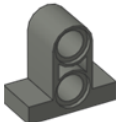
2x 

5x 

5x 

4x 

2x 

3x 

4x 

1x 